

## Impact Wrench - 3 601 JD8 110 - IWMH182

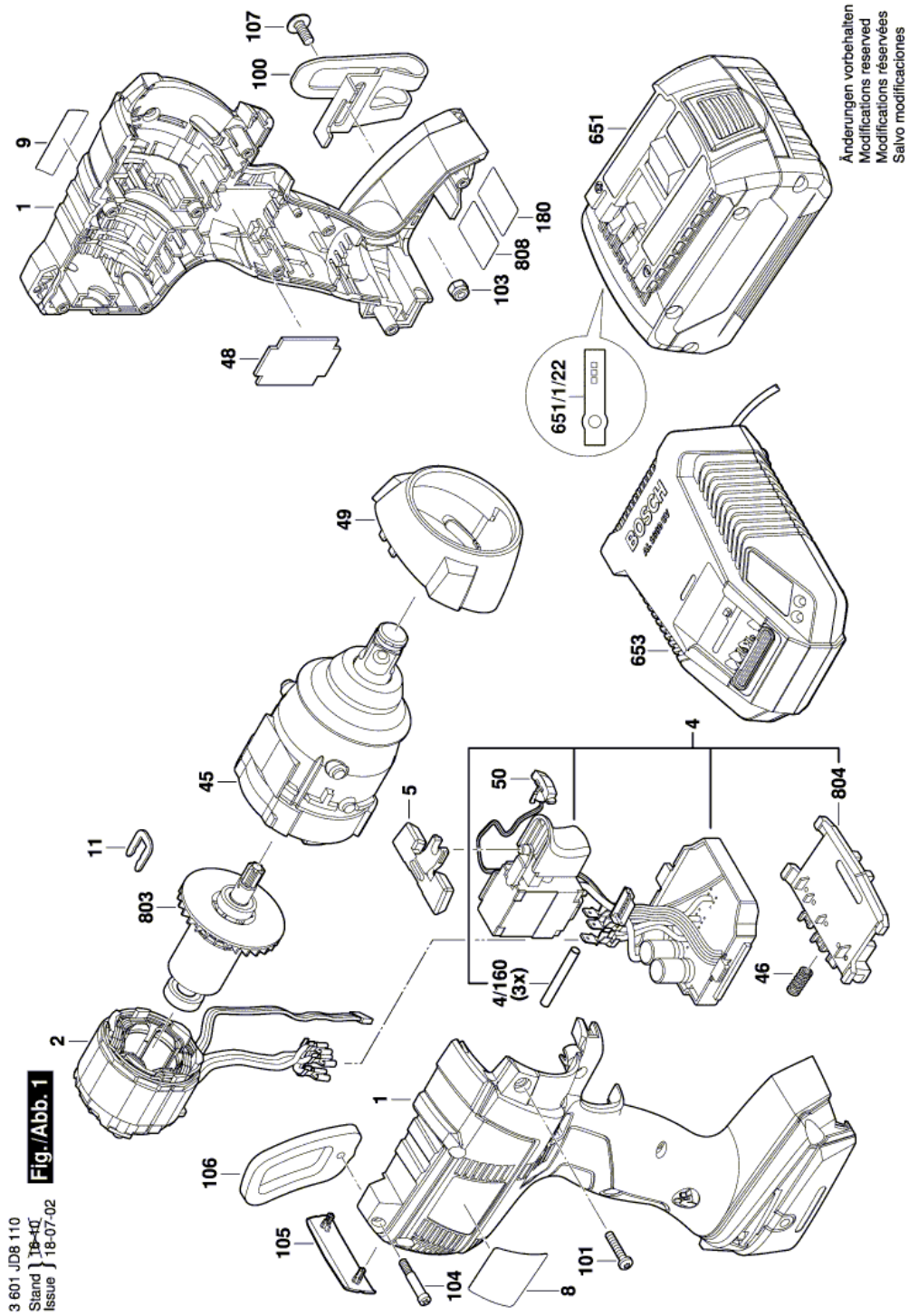
www.powertools-aftersaleservice.com



**BOSCH**

Item	Part Number	Description	Illustration	Price	Quantity	Price Group
1	2 609 101 346	Housing	1	-,-	1	33
2	1 619 P08 594	Stator	1	-,-	1	34
4	1 600 A00 19T	Electronics Module	1	-,-	1	49
4/160	1 619 P15 186	Shrinkable Tube	1	-,-	3	10
5	2 609 101 067	Adjusting lever	1	-,-	1	12
8	2 609 135 443	Warning Label	1	-,-	1	13
9	2 609 135 323	Manufacturer's nameplate LITHIUM-ION	1	-,-	1	13
11	2 609 110 838	Clip	1	-,-	1	10
45	2 609 199 869	Gear Box	1	-,-	1	45
46	1 609 280 477	Compression Spring	1	-,-	1	11
48	2 609 136 324	Protection	1	-,-	1	10
49	2 609 170 222	Protective Ring	1	-,-	1	17
50	2 609 101 083	Lens	1	-,-	1	11
100	2 609 111 584	Clip	1	-,-	1	15
101	2 609 110 201	Torx Flat-Head Screw 3x16	1	-,-	9	10
103	2 609 110 835	Nut	1	-,-	2	11
104	2 609 111 446	Pan head screw	1	-,-	1	10
105	2 609 101 393	Color clip	1	-,-	1	11
106	2 609 170 196	Protector	1	-,-	1	11
107	2 609 110 834	Screw	1	-,-	1	11
180	2 609 135 475	Warning Label	1	-,-	1	13
651	2 607 336 819	Battery Pack USA BAT620 18V 4,0Ah	1	-,-	1	51
651/1/22	2 601 115 537	Sticker	1	-,-	1	13
653	2 607 225 927	Charger USA BC 1880 CV 13,3-18V/120V	1	-,-	1	47
808	2 609 135 196	Nameplate	1	-,-	1	13
803	2 609 199 757	Rotor 18V	1	-,-	1	37
804	1 609 280 478	Contact retainer	1	-,-	1	26

Illustration - Type E



Information subject to change without further notice.