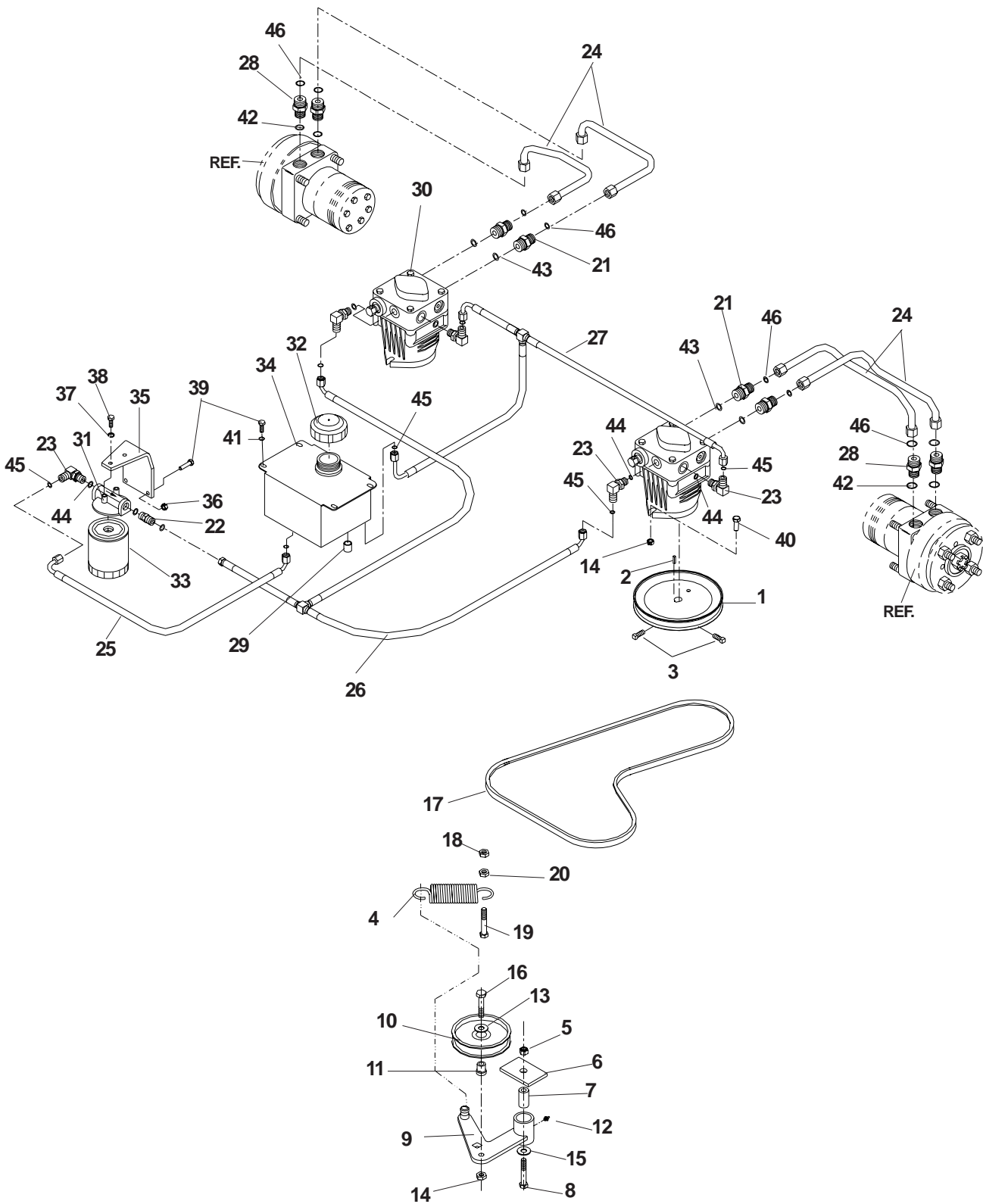


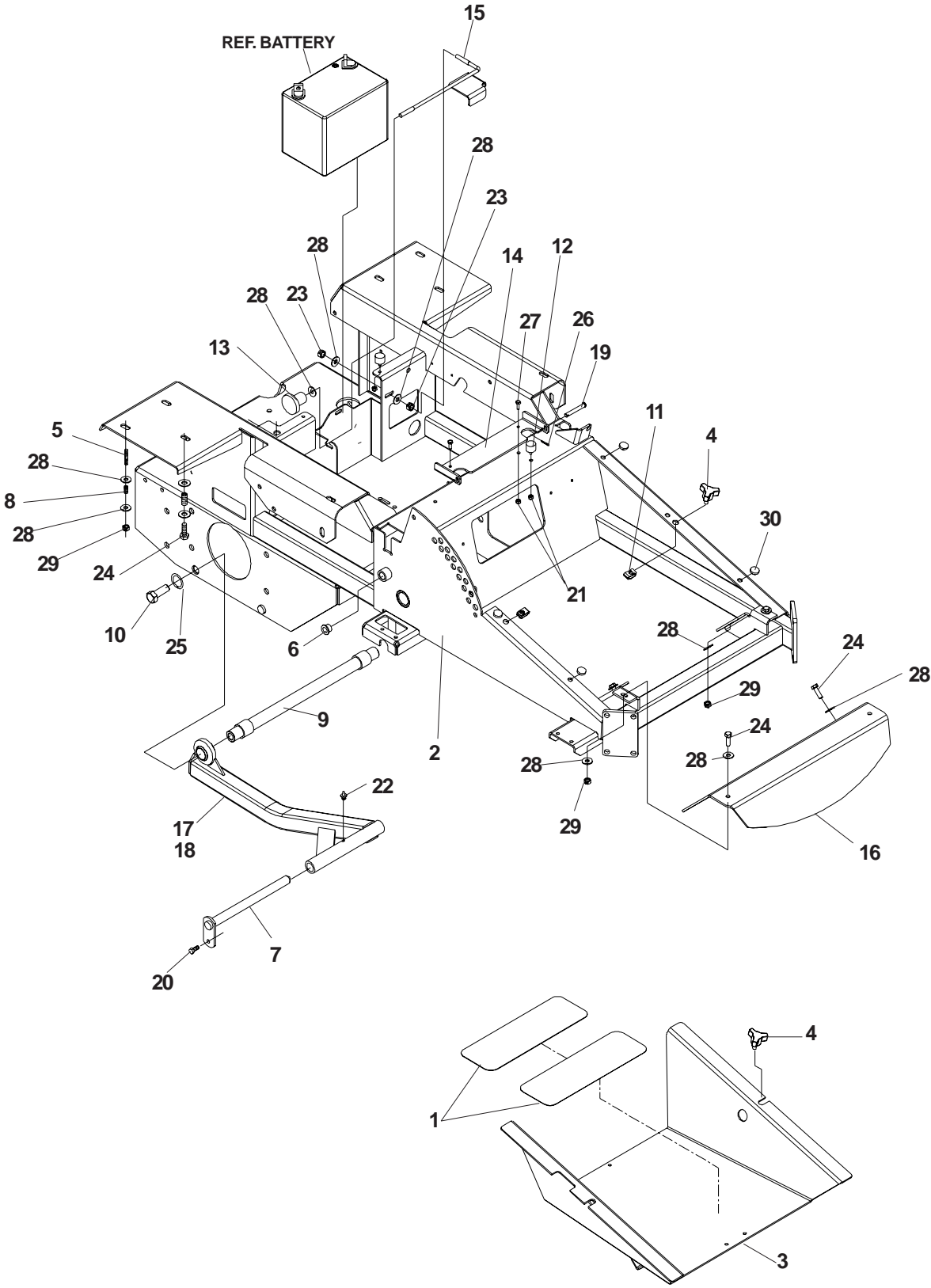
HYDRAULIC ASSEMBLY (TL)



HYDRAULIC ASSEMBLY (TL)

ITEM	PART NO.	QTY.	DESCRIPTION
1	539 101176	2	PULLEY
2	539 101177	2	KEY, 5MM SQ X 30MM
3	539 102717	4	SCREW, 5/16-18 X 5/8, SET
4	539 103256	1	SPRING, EXTENSION
5	539 101331	1	NUT, 1/2-13, NYLOC
6	539 102236	1	PAD
7	539 103427	1	BUSHING, PIVOT
8	539 103433	1	HCS, 1/2-13 X 3 1/4, GR5
9	539 104388	1	IDLER ARM
10	539 976688	1	PULLEY, IDLER
11	539 976695	1	BUSHING, FLANGE IDLER
12	539 976998	1	ZERK, STRAIGHT, 1/4-28
13	539 990517	1	WASHER, 3/8
14	539 990546	5	NUT, 3/8-16, CENTERLOCK
15	539 990550	1	WASHER, 9/16
16	539 990730	1	HCS, 3/8-16 X 1 3/4, GR5
17	539 106887	1	PUMP BELT
18	539 976979	4	NUT, 3/8-16, NYLOC
19	539 990588	1	HCS, 3/8-16 X 2, GR5
20	539 990613	1	NUT, 3/8-16, WHIZLK
21	539 101237	4	FITTING, F6400-8-8-0
22	539 113782	1	HYDRAULIC FITTING
23	539 101238	5	FITTING, F6801-6-6-0
24	539 106896	4	HYDRAULIC LINE
25	539 104722	1	HOSE, 7"
26	539 111814	1	"T" ASSEMBLY
27	539 110837	1	"T" ASSEMBLY
28	539 102396	4	STRAIGHT FITTING
29	539 105168	1	CAP
30	539 112671	2	10CC PUMP W/RTN'S
31	539 101165	1	FILTER HEAD
32	539 101202	1	CAP-HYDRO RESERVIOR
33	539 102606	1	FILTER ELEMENT
34	539 105024	1	OIL TANK
35	539 106933	1	OIL FILTER BRACKET
36	539 976978	4	NUT, 1/4-20, NYLOC
37	539 990052	6	LOCKWASHER, 1/4
38	539 990072	2	HCS, 1/4-20 X 5/8, GR5
39	539 990580	8	HCS, 1/4-20 X 3/4, GR5
40	539 990582	4	HCS, 3/8-16 X 1, GR5, WHIZLK
41	539 990598	8	WASHER, 1/4
42	539 103115	4	"O" RING, 3/4
43	539 103116	4	"O" RING, 1/2
44	539 103117	6	"O" RING, 3/8
45	539 103118	8	"O" RING FLARE, 3/8
46	539 103119	8	"O" RING FLARE, 1/2

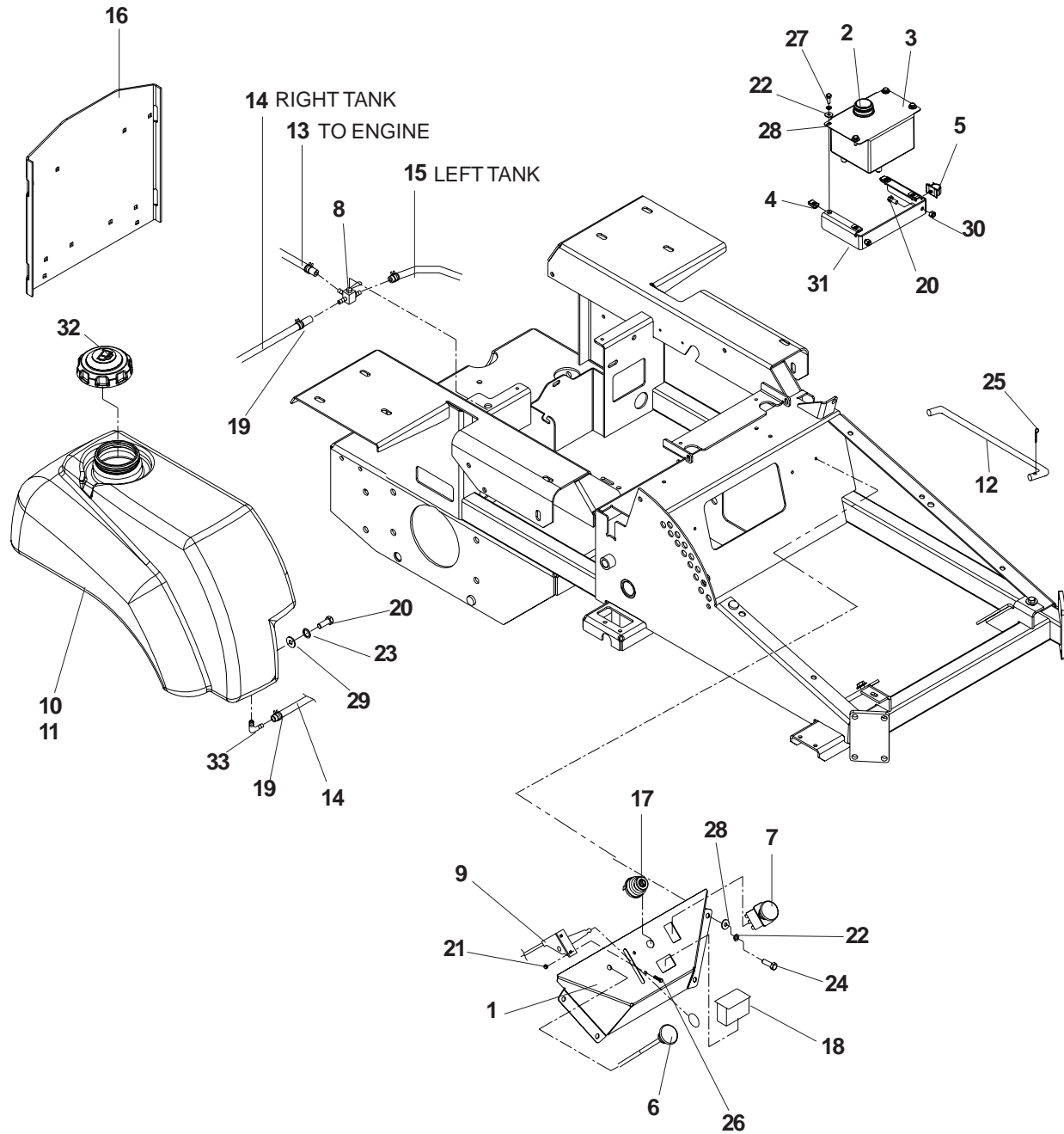
MAIN FRAME ASSEMBLY



MAIN FRAME ASSEMBLY

ITEM	PART NO.	QTY.	DESCRIPTION
1	539 977778	3	PAD-ADRASIVE
2	539 111098	1	FRAME W/DECALS
3	539 111573	1	FOOT PLATE W/DECALS
4	539 104411	2	KNOB W/STUD
5	539 102502	6	TANK-STUD FUEL
6	539 102519	2	BUSHING
7	539 102619	2	PIN, PIVOT
8	539 102845	8	SPRING, FUEL TANK
9	539 104197	1	STRUT MOUNT
10	539 104199	2	HCS, 5/8-11 X 2, GR5
11	539 104763	4	NUT, 5/16-18, U-TYPE
12	539 105039	4	MOUNT-STUD-PLATE
13	539 105169	1	KNOB
14	539 105224	1	SEAT BRACKET W/DECAL
15	539 106899	1	BATTERY HOLD DOWN
16	539 106941	1	FOOT REST
17	539 110806	1	STRUT, RIGHT
18	539 110807	1	STRUT, LEFT
19	539 110819	2	CLEVIS PIN, 3/8
20	539 976934	8	HCS, 5/16-18 X 3/4, GR5
21	539 976978	6	NUT, 1/4-20, NYLOC
22	539 976998	2	ZERK, STRAIGHT, 1/4-28
23	539 990184	6	NUT, 5/16-18, CENTERLOCK
24	539 990209	8	HCS, 5/16-18 X 1, GR5
25	539 990333	2	LOCKWASHER, 5/8
26	539 990365	5	PIN COTTER, 1/8 X 3/4
27	539 990580	2	HCS, 1/4-20 X 3/4, GR5
28	539 990692	27	WASHER, 5/16
29	539 990717	26	NUT, 5/16-18, NYLOC
30	539 102587	2	GROMMENT, BUMPER
	539 112654	1	FLOOR PAN PAD, MODEL 968999528 ONLY, (NOT SHOWN)
	539 112655	1	FOOT REST PAD, MODEL 968999528 ONLY, (NOT SHOWN)

MAIN FRAME ASSEMBLY

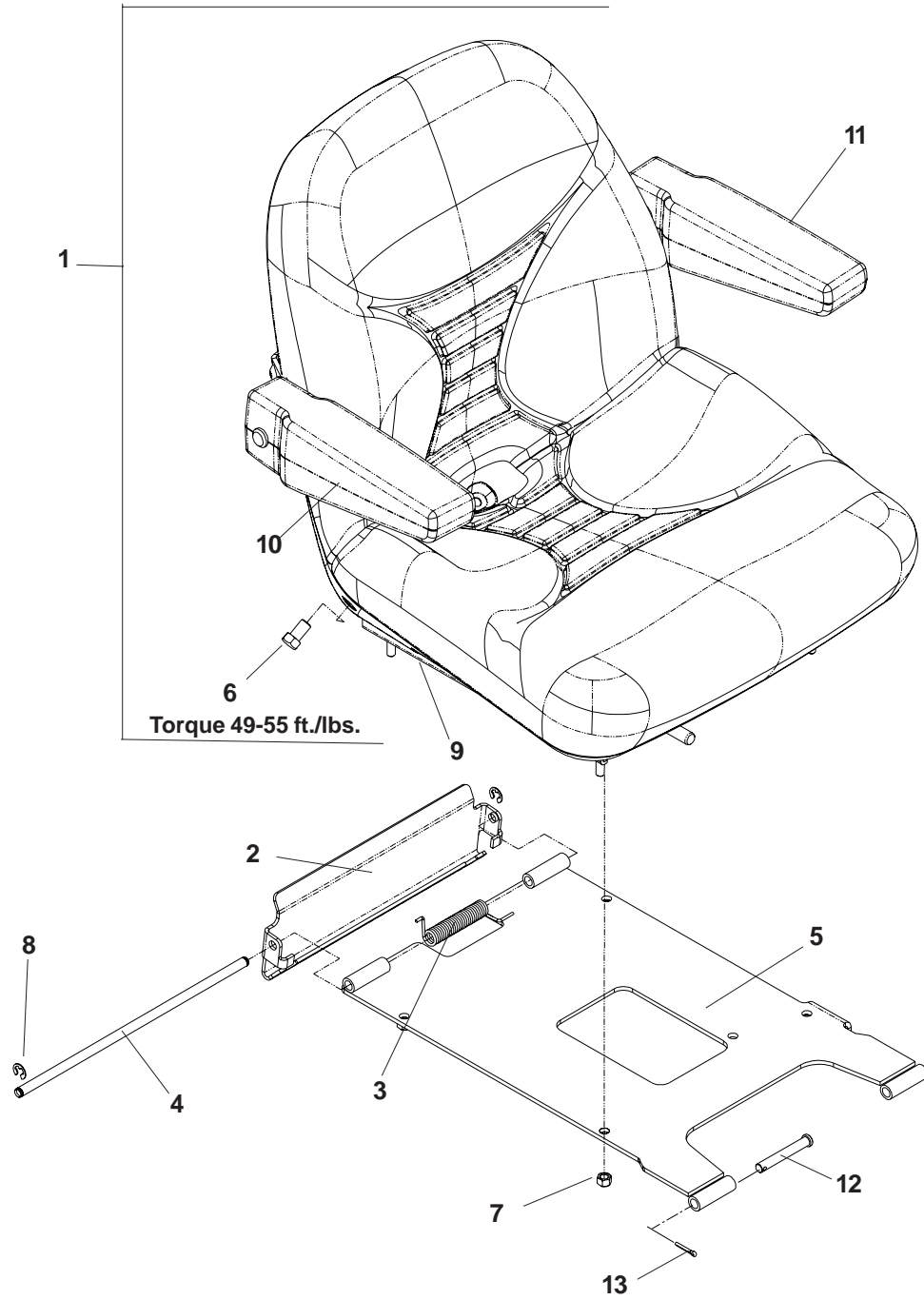


MAIN FRAME ASSEMBLY

ITEM	PART NO.	QTY.	DESCRIPTION
1	539 111147	1	CONSOLE W/DECALS
2	539 101202	1	CAP-HYDRO RESERVOIR
3	539 105024	1	OIL TANK
4	539 110813	1	RETAINER, U TYPE
5	539 110815	1	PUSH-MOUNT WIRE CLIP
6	539 102733	1	CHOKE CABLE, MODEL: 968999528,
	539 113458	1	CHOKE CABLE, MODELS: 968999527,
7	539 101768	1	SWITCH
8	539 102679	1	VALVE, FUEL
9	539 103275	1	CONTROL, THROTTLE
10	539 104409	1	TANK, FUEL, LEFT
11	539 104410	1	TANK, FUEL, RIGHT
12	539 104525	1	ROD, SEAT
13	539 105281	1	FUEL LINE
14	539 105527	1	FUEL LINE
15	539 105530	1	FUEL LINE
16	539 106959	1	ENGINE GUARD
17	539 107541	1	IGNITION SWITCH
18	539 110074	1	HOUR METER
19	539 912222	6	CLAMP, HOSE
20	539 976934	8	HCS, 5/16-18 X 3/4, GR5
21	539 976977	4	NUT, #10-24, NYLOC
22	539 990052	4	LOCKWASHER, 1/4
23	539 990187	2	LOCKWASHER, 5/16
24	539 990362	4	SCREW, 1/4-20 X 5/8, SELF TAP
25	539 990365	5	PIN COTTER, 1/8 X 3/4
26	539 990411	2	SCREW, #10-24 X 1/2
27	539 990580	2	HCS, 1/4-20 X 3/4, GR5
28	539 990598	4	WASHER, 1/4
29	539 990692	27	WASHER, 5/16
30	539 990717	26	NUT, 5/16-18, NYLOC
31	539 110814	1	TANK MOUNT
32	539 106188	2	FUEL CAP, ANTISPLASH
33	539 102650	2	TANK FITTING

SEAT ASSEMBLY

MODEL: 968999527



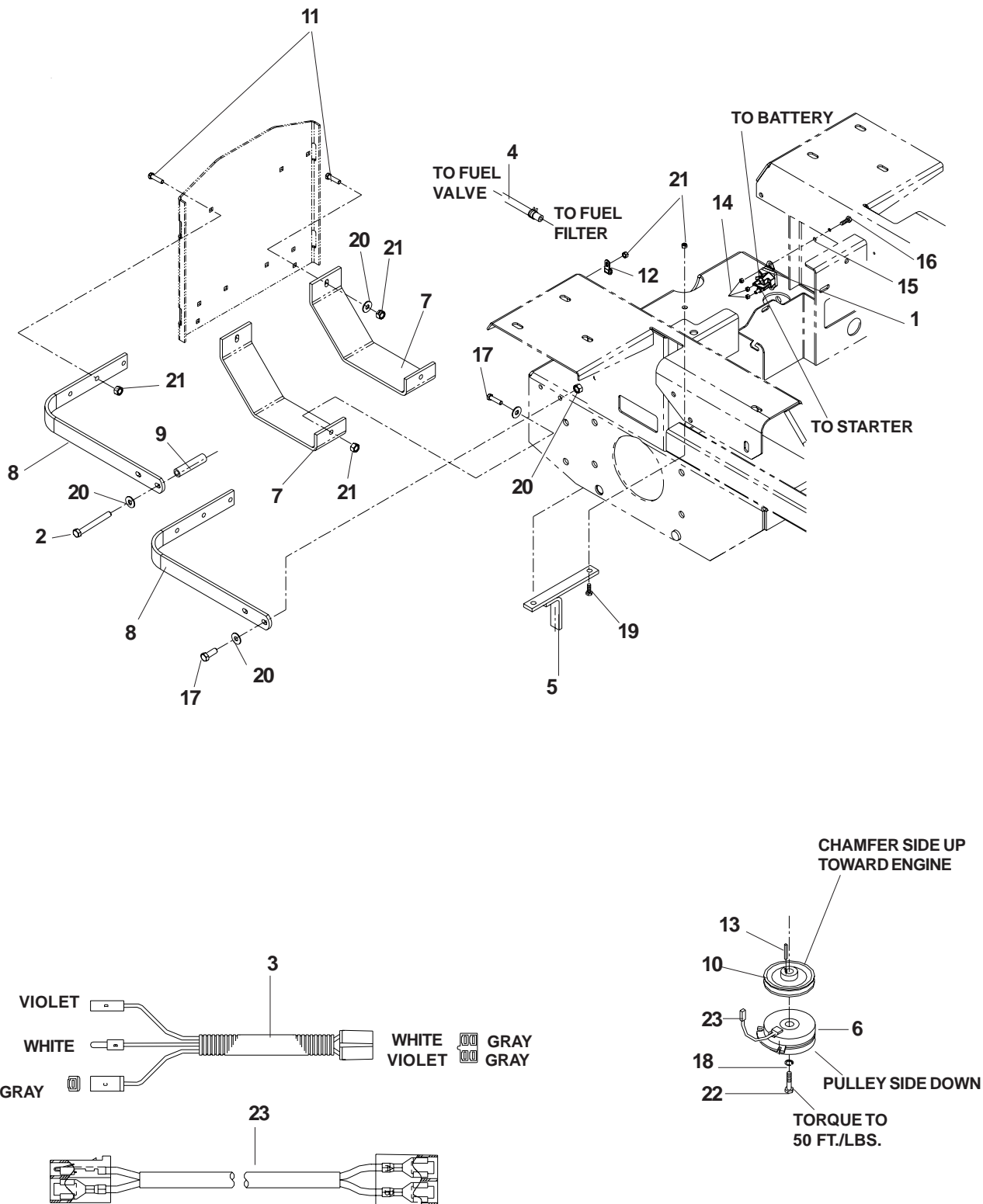
SEAT ASSEMBLY

MODEL: 968999527

ITEM	PART NO.	QTY.	DESCRIPTION
1	539 112281	1	SEAT, STANDARD
2	539 110644	1	SEAT LATCH BRACKET
3	539 110645	1	TORISON SPRING
4	539 110646	1	SEAT LATCH ROD
5	539 110816	1	SEAT MOUNT
6	539 112034	2	HCS, 7/16-20 X 3/4, GR5
7	539 990717	4	NUT, 5/16-18, NYLOC
8	539 990870	2	RING-RETAINING
9	539 112037	1	TRACK ADJUSTMENT KIT
10	539 112035	1	ARM REST KIT, RIGHT
11	539 112036	1	ARM REST KIT, LEFT
12	539 110819	2	CLEVIS PIN
13	539 990365	2	PIN, COTTER, 1/8 X 3/4
	539 111026	1	SEAT BELT (NOT SHOWN)
	539 108745	1	SWITCH/SNAP MOUNT KIT (NOT SHOWN)

KAWASAKI 21 HP ENGINE ASSEMBLY

MODEL: 968999527

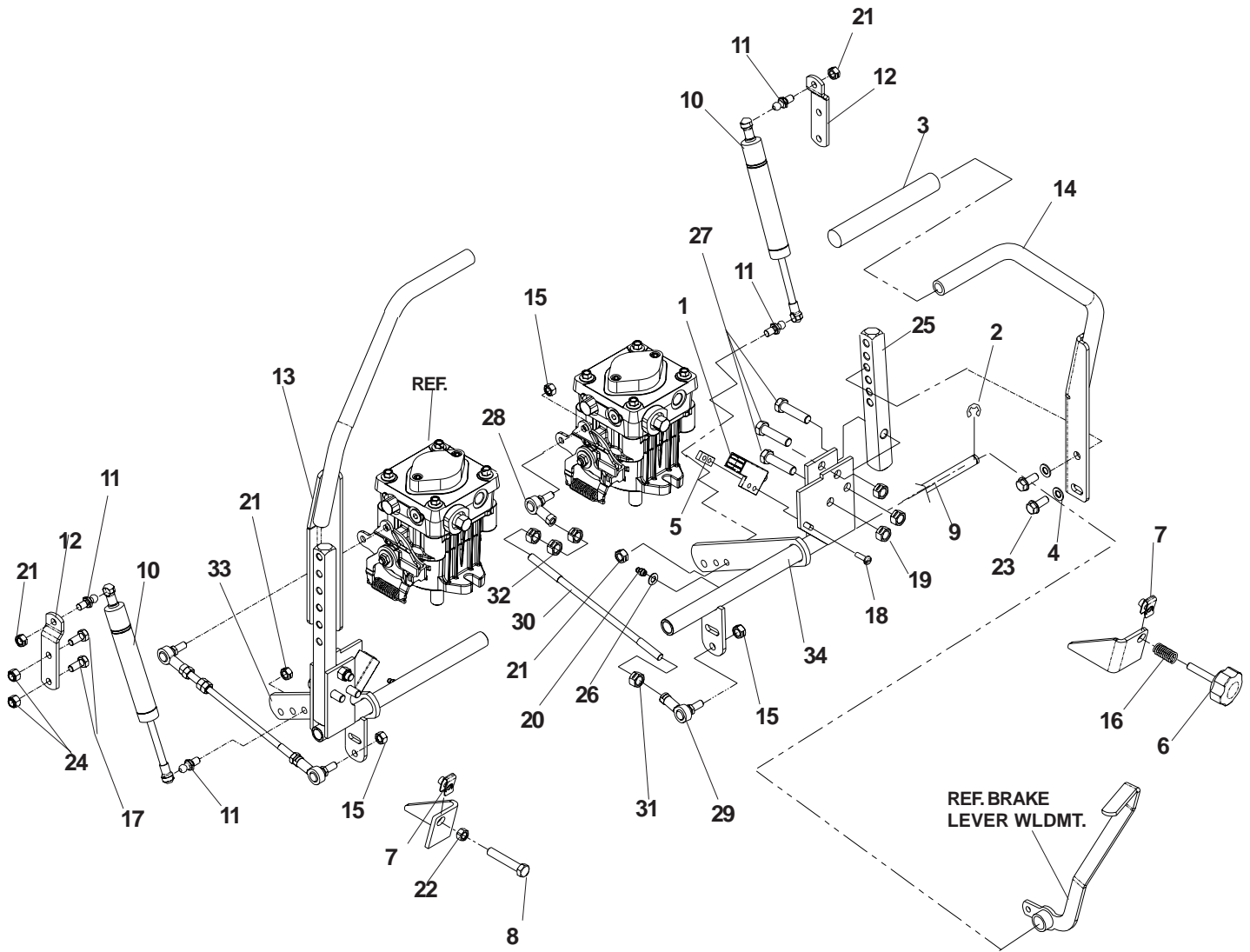


KAWASAKI 21 HP ENGINE ASSEMBLY

MODEL: 968999527

ITEM	PART NO.	QTY.	DESCRIPTION
1	539 101714	1	SOLENOID
2	539 102335	1	HCS, 5/16-18 X 4, GR5
3	539 104415	1	PIGTAIL, KAWASAKI
4	539 105281	1	FUEL LINE HOSE
5	539 106819	1	CLUTCH TIE DOWN
6	539 106880	1	CLUTCH
7	539 106957	2	SKID PLATE
8	539 106961	4	STRAP
9	539 106962	1	SPACER
10	539 106992	1	PULLEY
11	539 107271	10	RHSNB, 5/16-18 X 1, GR5
12	539 109867	1	CLAMP, DOUBLE TUBE
13	539 912757	1	KEY, 1/4 SQ X 1 1/4
14	539 976978	5	NUT, 1/4-20, NYLOC
15	539 990053	2	WASHER, 1/4
16	539 990072	2	HCS, 1/4-20 X 5/8, GR5
17	539 990209	7	HCS, 5/16-18 X 1, GR5
18	539 990247	1	LOCKWASHER, 7/16
19	539 990669	4	HCS, 5/16-18 X 1 3/4, GR5
20	539 990692	10	WASHER, 5/16
21	539 990717	22	NUT, 5/16-18, NYLOC
22	539 991120	1	HCS, 7/16-20 X 2 1/2, GR5
23	539 105637	1	CLUTCH HARNESS
	539 102757	1	CABLE (NOT SHOWN)
	539 102759	2	INSULATOR, BATTERY (NOT SHOWN)

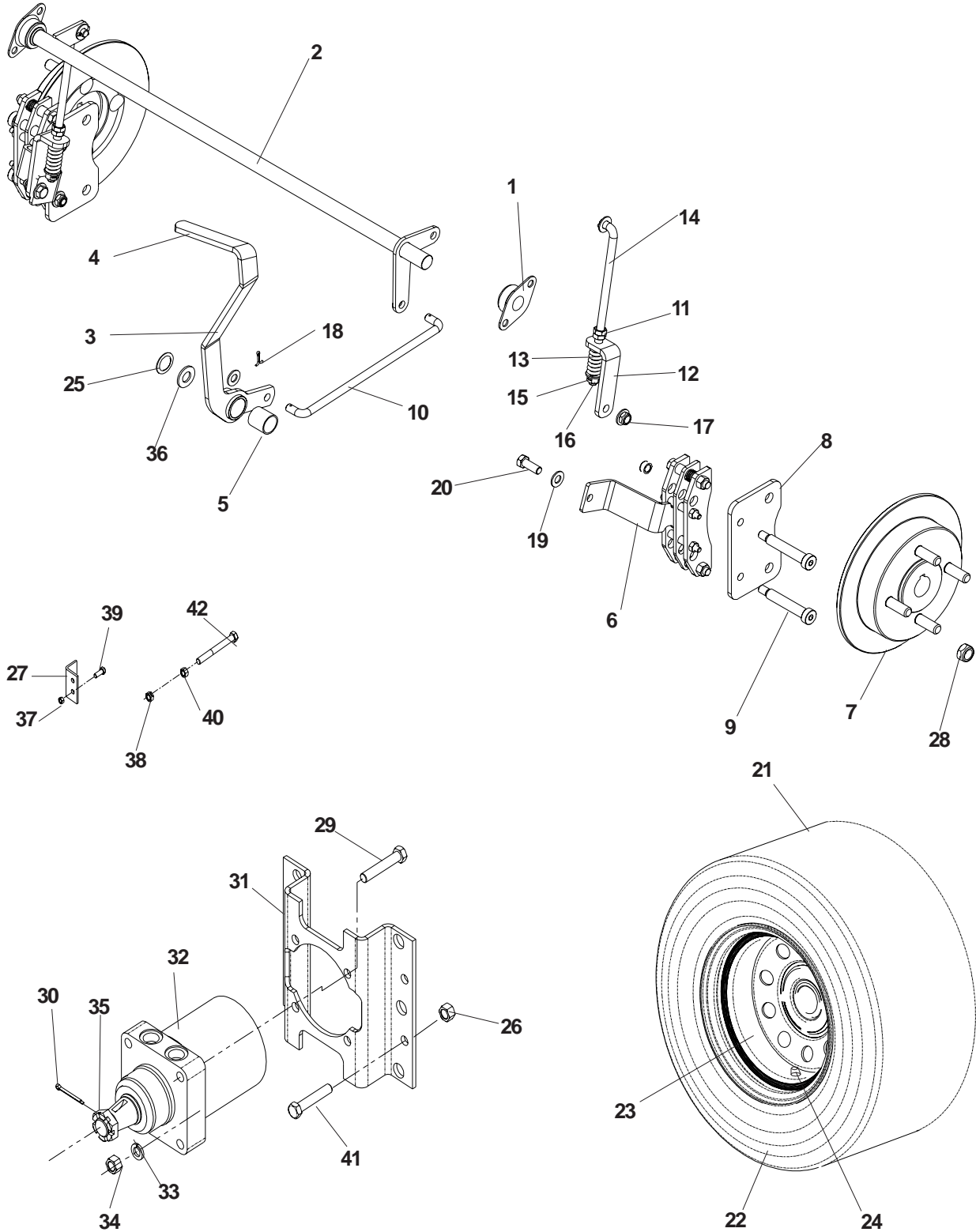
MOTION CONTROL ASSEMBLY



MOTION CONTROL ASSEMBLY

ITEM	PART NO.	QTY.	DESCRIPTION
1	539 101080	1	SWITCH, INTERLOCK
2	539 101949	2	E-RING, 1/2
3	539 102592	2	CUSHION, DRIVE LEVER
4	539 102593	4	WASHER, 3/8, SPRING, SPEC
5	539 102678	1	NUT, #10-24
6	539 103003	1	ADJUSTMENT KNOB
7	539 104763	4	NUT, 5/16-18, U-TYPE, RETAINER
8	539 108394	1	HCS, 5/16-18 X 1 3/4, TPBLT, GR5
9	539 108659	1	CONTROL SHAFT
10	539 110606	2	DAMPENER
11	539 110607	4	BALL STUD
12	539 110811	2	DAMPENER ARM
13	539 110826	1	DRIVE LEVER, RIGHT
14	539 110827	1	DRIVE LEVER, LEFT
15	539 110943	4	NUT, 5/16, NYLOC
16	539 111039	1	COMPRESSION SPRING
17	539 976934	8	HCS, 5/16-18 X 3/4, GR5
18	539 976952	2	SCREW, #10-24 X 5/8, COMBO, SPEC
19	539 976979	4	NUT, 3/8-16, NYLOC
20	539 976998	2	ZERK, STRAIGHT, 1/4-28
21	539 990184	6	NUT, 5/16-18, CENTERLOCK
22	539 990196	1	NUT, 5/16-18
23	539 990563	4	HCS, 3/8-16 X 1, GR5
24	539 990717	26	NUT, 5/16-18, NYLOC
25	539 110638	2	ARM CONTROL SHAFT
26	539 103547	2	WASHER
27	539 990730	6	HCS, 3/8-16 X 1 3/4, GR5
28	539 110603	2	ROD END, SPHERICAL, RIGHT
29	539 110604	2	ROD END, SPHERICAL, LEFT
30	539 103264	2	LINKAGE
31	539 991073	2	NUT, 5/16, JAM, LH
32	539 990223	6	NUT, 5/16
33	539 111030	1	DRIVE CONTROL, RIGHT
34	539 111031	1	DRIVE CONTROL, LEFT

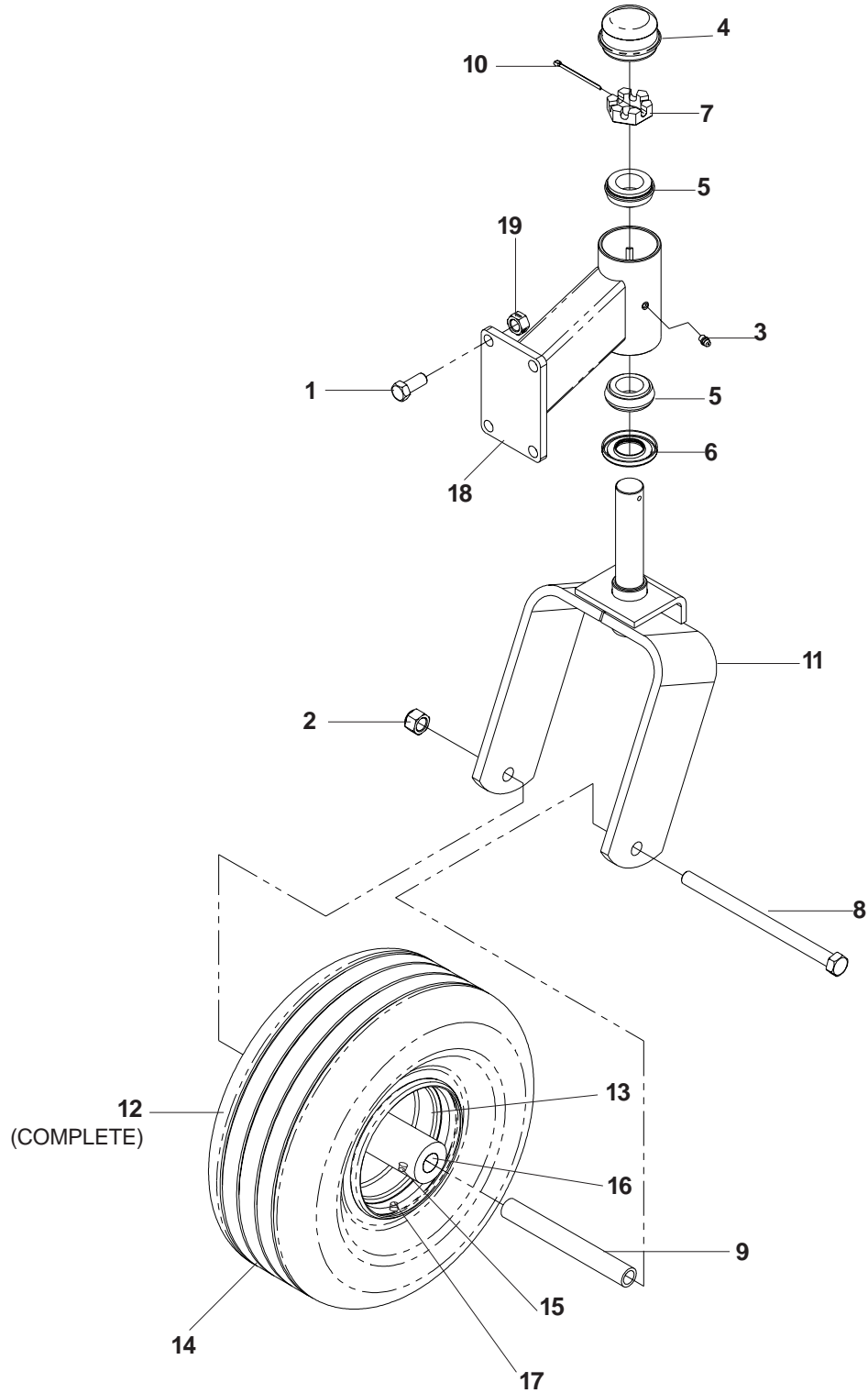
PARK BRAKE ASSEMBLY (TL)



PARK BRAKE ASSEMBLY (TL)

ITEM	PART NO.	QTY.	DESCRIPTION
1	539 102797	2	BUSHING
2	539 106969	1	BRAKE CROSS SHAFT
3	539 108616	1	BRAKE LEVER
4	539 105036	1	GRIP PARK BRAKE
5	539 108619	1	BUSHING
6	539 113944	2	CALIPER
7	539 113945	2	HUB
8	539 113948	2	PLATE, BRAKE
9	539 113951	4	SCREW, 3/8-16 X 2 1/2, SKT HD
10	539 113954	1	LINKAGE, BRAKE
11	539 108732	2	NUT, 3/8-24, JAM
12	539 113950	1	L BRACKET
13	539 113952	1	SPRING
14	539 113955	1	LINKAGE, REAR BRAKE
15	539 990122	1	WASHER, 3/8, SAE
16	539 990289	1	NUT, 3/8-24, CENTERLOCK, GR5
17	539 200282	6	NUT, 3/8-16, THIN NYLOC
18	539 990037	4	PIN COTTER, 3/32 X 3/4
19	539 990122	12	WASHER, 3/8, SAE
20	539 990563	2	HCS, 3/8-16 X GR5
21	539 106883	2	TIRE (COMPLETE)
22	539 107431	1	TIRE
23	539 105983	1	RIM
24	539 912234	1	VALVE STEM
25	539 101151	1	RING, RETAINING, EXT 7/8
26	539 101331	8	NUT, 1/2-13, NYLOC
27	539 105029	1	BRACKET
28	539 101173	8	NUT, 1/2-20, LUG
29	539 101332	8	HCS, 1/2-13 X 2 3/4, GR5
30	539 104288	2	PIN COTTER
31	539 106989	2	MOTOR STANDOFF
32	539 110823	2	WHEEL MOTOR
33	539 990254	4	LOCKWASHER, 1/2
34	539 990258	4	NUT, 1/2-13
35	539 101468	2	HEX SLOTTED NUT
36	539 923787	1	BUSHING
37	539 976978	4	NUT, 1/4-20, NYLOC
38	539 976979	5	NUT, 3/8-16, NYLOC
39	539 990580	8	HCS, 1/4-20 X 3/4, GR5
40	539 990613	1	NUT, 3/8-16, WHIZLK
41	539 990622	8	BOLT, 1/2-13 X 1 1/4, WHIZLK, SP
42	539 990637	1	HCS, 3/8-16 X 2 1/2, GR5

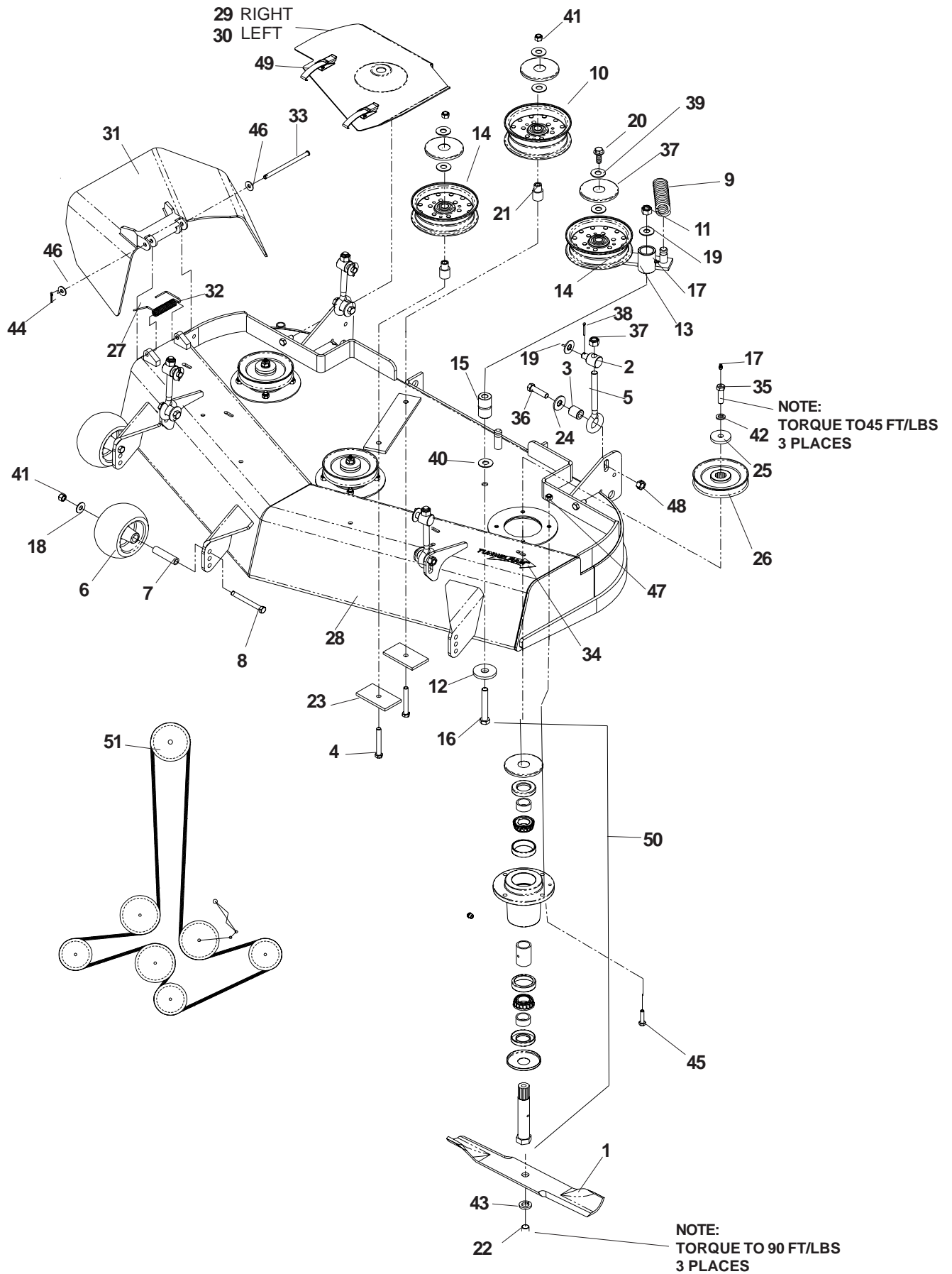
CASTER ARM



CASTER ARM

ITEM	PART NO.	QTY.	DESCRIPTION
1	539 100143	4	HCS, 7/16-14 X 1, GR5
2	539 101331	1	NUT, 1/2-13, NYLOC
3	539 101474	1	ZERK
4	539 102535	1	CAP GREASE
5	539 102543	2	BEARING, ROLLER, TAPERED
6	539 102851	1	SEAL
7	539 102852	1	NUT, 1-14, JAM, SPEC
8	539 102855	1	HCS, 1/2-13 X 7 1/2, GR5
9	539 102856	1	SPACER
10	539 102889	1	PIN COTTER, 1/8 X 2
11	539 104571	1	CASTER YOKE
12	539 104572	1	TIRE, COMPLETE
13	539 104573	1	RIM
14	539 102546	1	TIRE
15	539 976997	1	ZERK
16	539 102484	2	END CAPS
17	539 912234	1	VALVE STEM
18	539 106986	1	CASTER ARM
19	539 990839	4	NUT, 7/16-14, CENTERLOCK.\, GR A
	539 102485	2	ROLLER BEARING, 2 1/2" (NOT SHOWN)

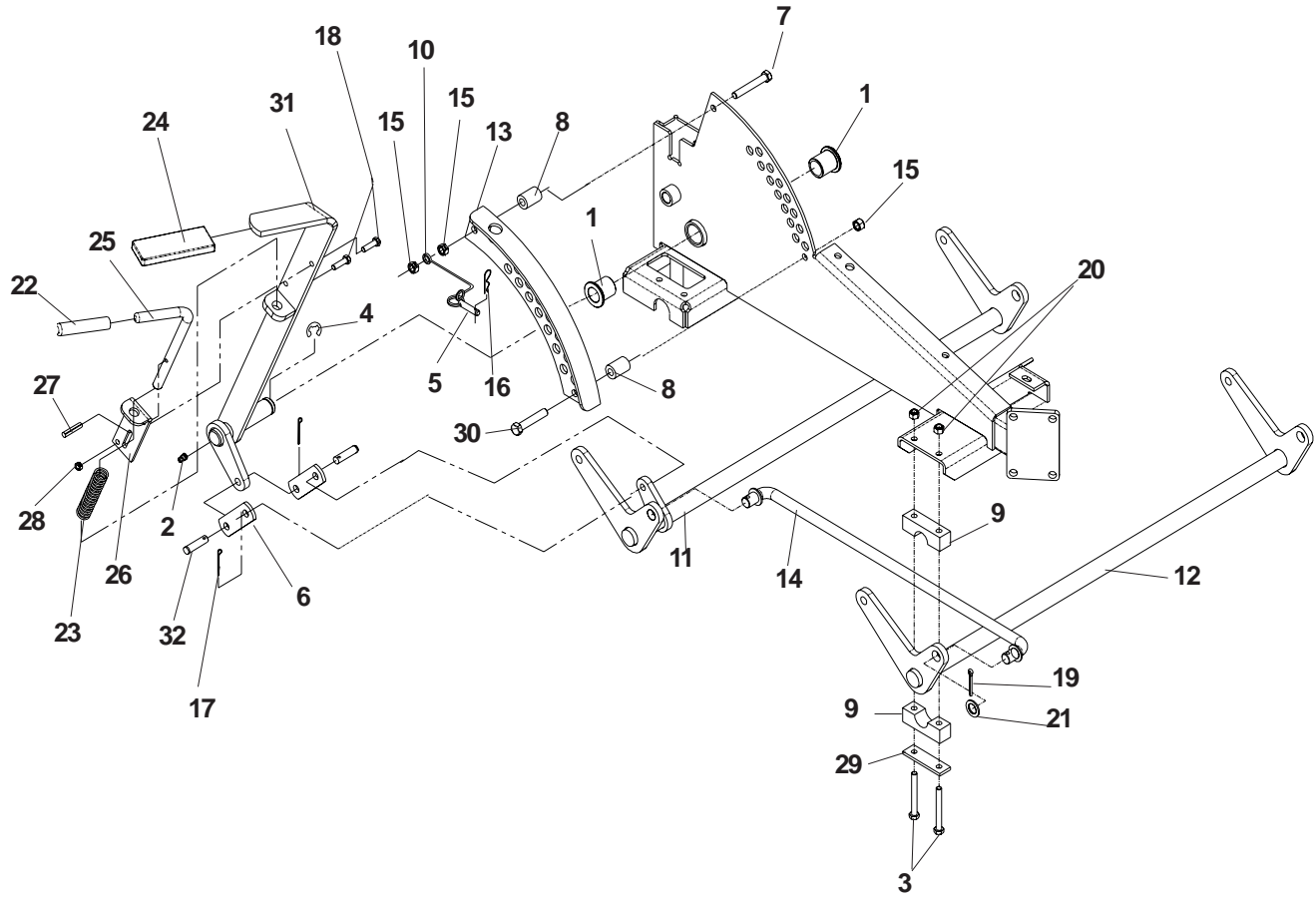
48" DECK ASSEMBLY



48" DECK ASSEMBLY

ITEM	PART NO.	QTY.	DESCRIPTION
1	539 100340	3	BLADE, 16 1/4
2	539 114405	4	SWIVEL
3	539 114404	4	SPACER
4	539 102612	2	HCS, 3/8-16 X 2 3/4, GR5
5	539 119227	4	EYE BOLT
6	539 102643	3	ROLLER, ANTI SCALP
7	539 102698	3	BUSHING
8	539 102754	3	HCS, 3/8-16 X 3 1/2, GR8
9	539 103256	1	SPRING, EXTENSION
10	539 103258	1	PULLEY, IDLER
11	539 101331	1	NUT, 1/2-13, NYLOC
12	539 102243	1	WASHER, .65
13	539 103230	1	IDLER ARM
14	539 103257	2	PULLEY, IDLER
15	539 103427	1	BUSHING, PIVOT
16	539 103433	1	HCS, 1/2-13 X 3 1/4, GR5
17	539 976998	4	ZERK, STRAIGHT, 1/4-28
18	539 990517	3	WASHER, 3/8
19	539 990550	5	WASHER, 9/16
20	539 990582	1	HCS, 3/8-16 X 1, GR5
21	539 103295	2	BUSHING, IDLER
22	539 103299	3	HCS, 5/8-18 X 1 1/4, GR5
23	539 103303	2	PAD
24	539 112484	4	SPRING WASHER, 1/2
25	539 106504	3	WASHER, .469
26	539 107276	3	PULLEY
27	539 107627	2	CAP-SLEEVE
28	539 111376	1	DECK W/DECALS
29	539 108686	1	BELT SHIELD, RIGHT
30	539 108687	1	BELT SHIELD, LEFT
31	539 110732	1	DISCHARGE CHUTE
32	539 110735	1	SPRING, TORSION
33	539 110736	1	PIN-CLEVIS, 5/16 DIA. X 5.19
34	539 111812	1	DECAL, TUNNELRAM
35	539 112120	3	HCS, 7/16-20 X 1 1/2, GR8, SPEC
36	539 108073	4	HCS, 7/16-14 X 1 3/4, GR5
37	539 101331	4	NUT, 1/2-13, NYLOC
38	539 109246	4	PIN COTTER, 1/8 X 1
39	539 111847	6	WASHER, 3/8, SPEC
40	539 113104	1	WASHER, 1/2
41	539 976979	5	NUT, 3/8-16, NYLOC
42	539 990247	3	LOCKWASHER, 7/16
43	539 990333	3	LOCKWASHER, 5/8
44	539 990365	1	PIN COTTER, 1/8 X 3/4
45	539 990627	12	HCS, 5/16-18 X 1 1/4, GR5
46	539 990692	2	WASHER, 5/16
47	539 990717	12	NUT, 5/16-18, NYLOC
48	539 990839	4	NUT, 7/16-14, CENTERLOCK, GR A
49	539 109660	2	DRAW LATCH
50	539 108773	3	SPINDLE ASSEMBLY
51	539 111949	1	DECK BELT

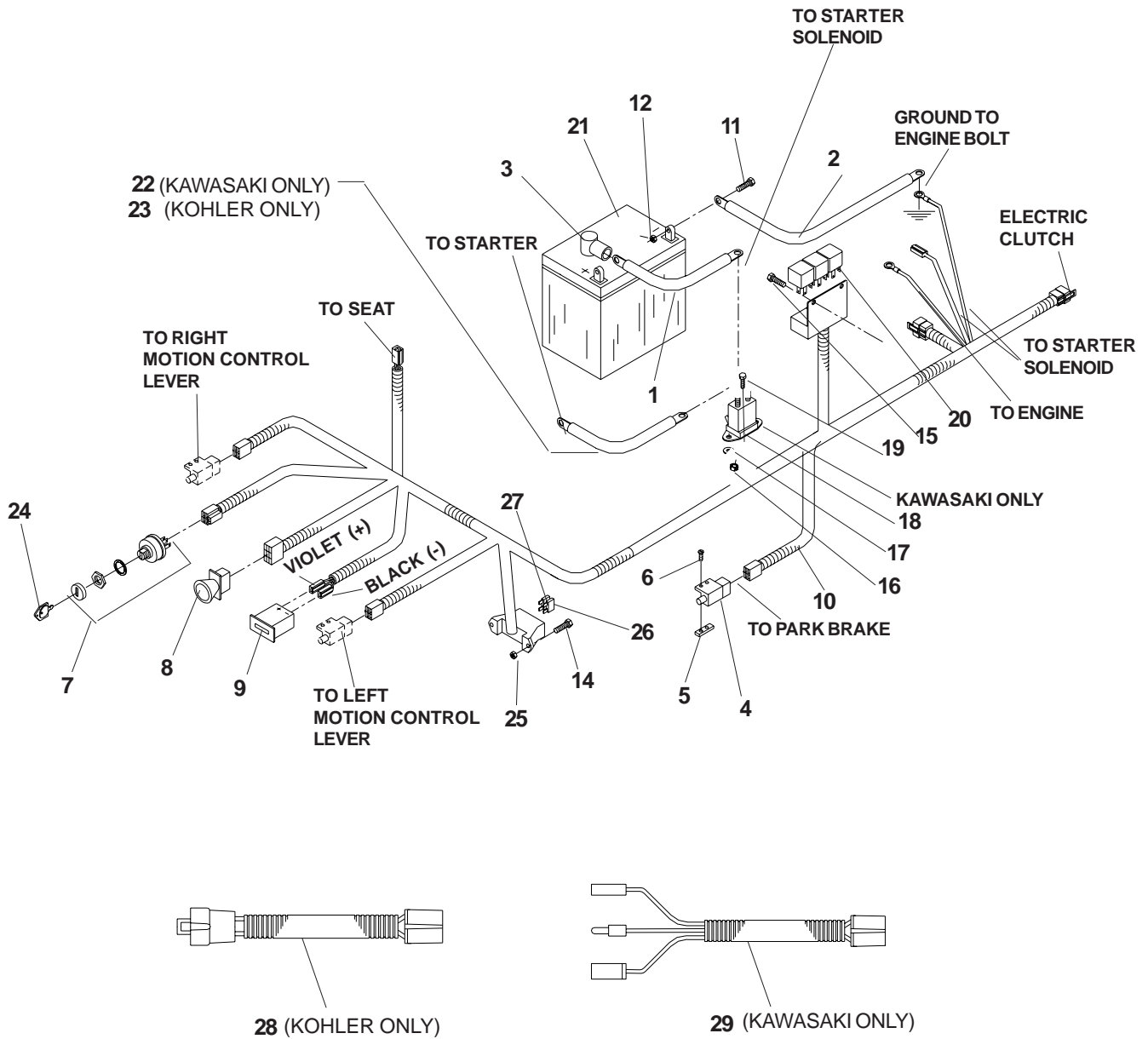
DECK LIFT ASSEMBLY



DECK LIFT ASSEMBLY

ITEM	PART NO.	QTY.	DESCRIPTION
1	539 101232	2	BUSHING
2	539 101474	2	ZERK
3	539 101721	8	HCS, 5/16-18 X 2 3/4, GR5
4	539 101802	1	RING-E, 7/8
5	539 102526	1	PIN LIFT, 1/2 X 2, W/RINGS
6	539 102565	2	LINKAGE
7	539 102612	1	HCS, 3/8-16 X 2 3/4, GR5
8	539 104530	2	SPACER
9	539 104808	8	BLOCK-PILLOW
10	539 105059	1	LANYARD
11	539 109955	1	REAR LIFT SHAFT
12	539 109956	1	FRONT LIFT SHAFT
13	539 110803	1	ADJUSTMENT PLATE
14	539 110808	2	CROSS LINK
15	539 976979	4	NUT, 3/8-16, NYLOC
16	539 976989	1	PIN HAIR, .120 X 2 1/2
17	539 990365	5	PIN COTTER
18	539 990580	2	HCS, 1/4-20 X 3/4, GR5
19	539 990654	4	PIN COTTER, 5/32 X 1 1/4
20	539 990717	4	NUT, 5/16-18, NYLOC
21	539 991043	4	BUSHING
22	539 101050	1	GRIP, VINYL
23	539 101058	1	SPRING, COMPRESSION
24	539 102515	1	GRIP, LIFT LEVER
25	539 103533	1	PIN, 1/2 X 6.69 "L"
26	539 103534	1	PIN MT
27	539 106532	1	PIN GROOVED, 3/16 X 1 1/4
28	539 990761	2	NUT, 1/4-20, CENTERLOCK
29	539 104807	4	REINFORCED BAR
30	539 990637	1	HCS, 3/8-16 X 2 1/2, GR5
31	539 109961	1	LIFT LEVER
32	539 977703	2	PIN CLEVIS, 3/8 X 1 1/8

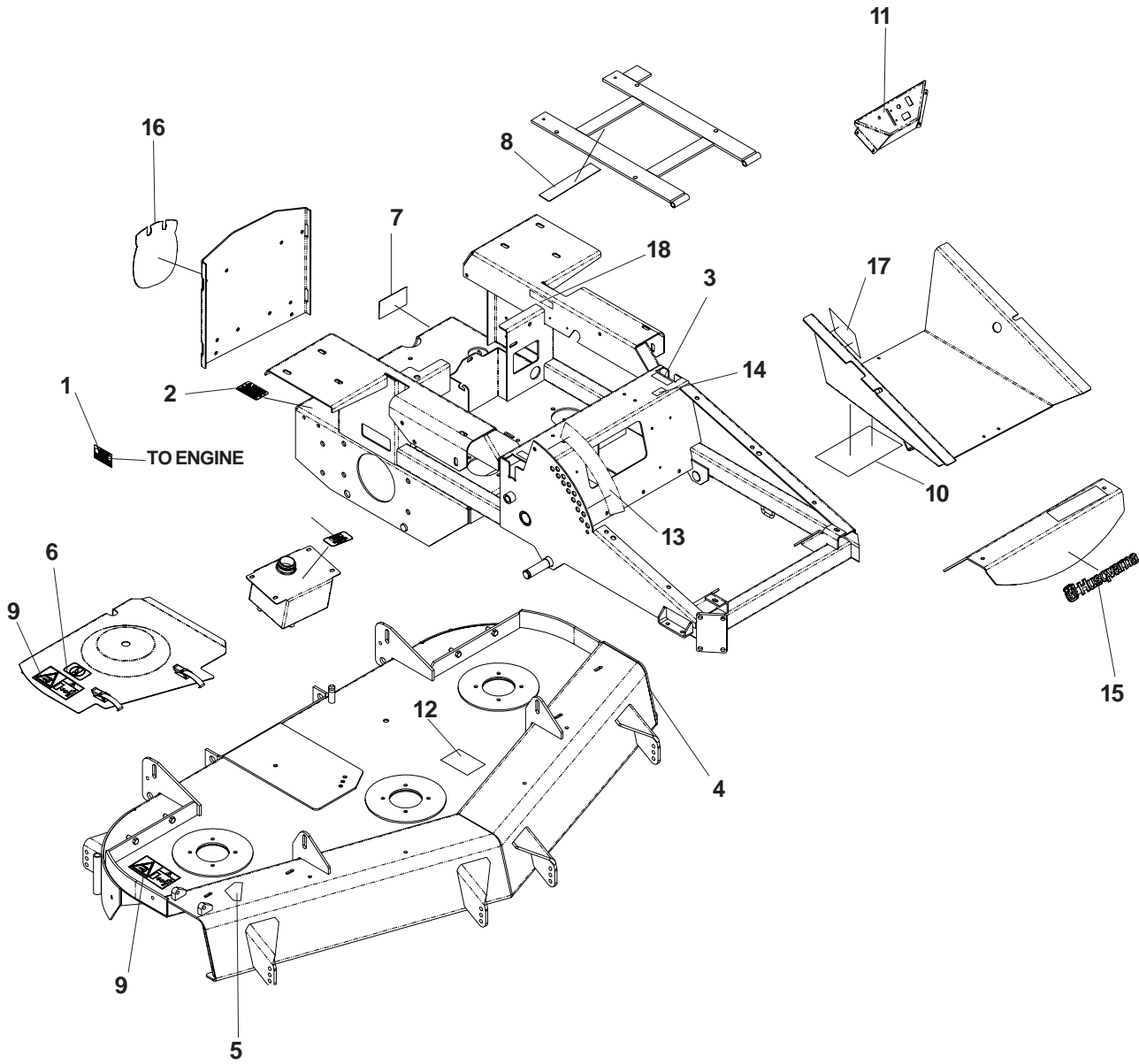
WIRING ASSEMBLY



WIRING ASSEMBLY

ITEM	PART NO.	QTY.	DESCRIPTION
1	539 103306	1	POSITIVE CABLE
2	539 102758	1	NEGATIVE CABLE
3	539 102759	2	INSULATOR
4	539 101080	1	INTERLOCK SWITCH
5	539 102678	1	TAPPED PLATE
6	539 976952	2	SCREW, #10-24 X 5/8
7	539 107541	1	IGNITION SWITCH
8	539 101768	1	BLADE SWITCH
9	539 110074	1	HOUR METER
10	539 110950	1	FRAME HARNESS
11	539 976934	2	HCS, 5/16C X 3/4
12	539 990717	2	NUT, 5/16C, NYLOC
13	539 976977	2	NUT, #10-24, NYLOC
14	539 102617	2	SCREW, #10-24 X 7/8
15	539 991034	2	SCREW, #10-24 X 5/8, WASH HD
16	539 990372	5	NUT, , 1/4C, CENTERLOCK
17	539 990053	2	LOCKWASHER, 1/4, INTERNAL TOOTH
18	539 101714	1	SOLENOID (KAWASAKI ONLY)
19	539 990072	2	HCS, 1/4C X 5/8
20	539 102914	3	RELAY
21	539 102436	1	BATTERY, DRY
22	539 104974	1	CABLE POSITIVE, KAWASAKI ONLY
23	539 102757	1	CABLE POSITIVE, KOHLER ONLY
24	539 107544	1	KEY, PADDED
25	539 976977	2	NUT, #10-24, NYLOC
26	539 101771	1	FUSE, 7.5 AMP, 32 VOLT, ATO
27	539 102086	1	FUSE, 20 AMP, 32 VOLT, ATO
28	539 104416	1	PIGTAIL, KOHLER ONLY
29	539 104415	1	PIGTAIL, KAWASAKI ONLY

DECALS

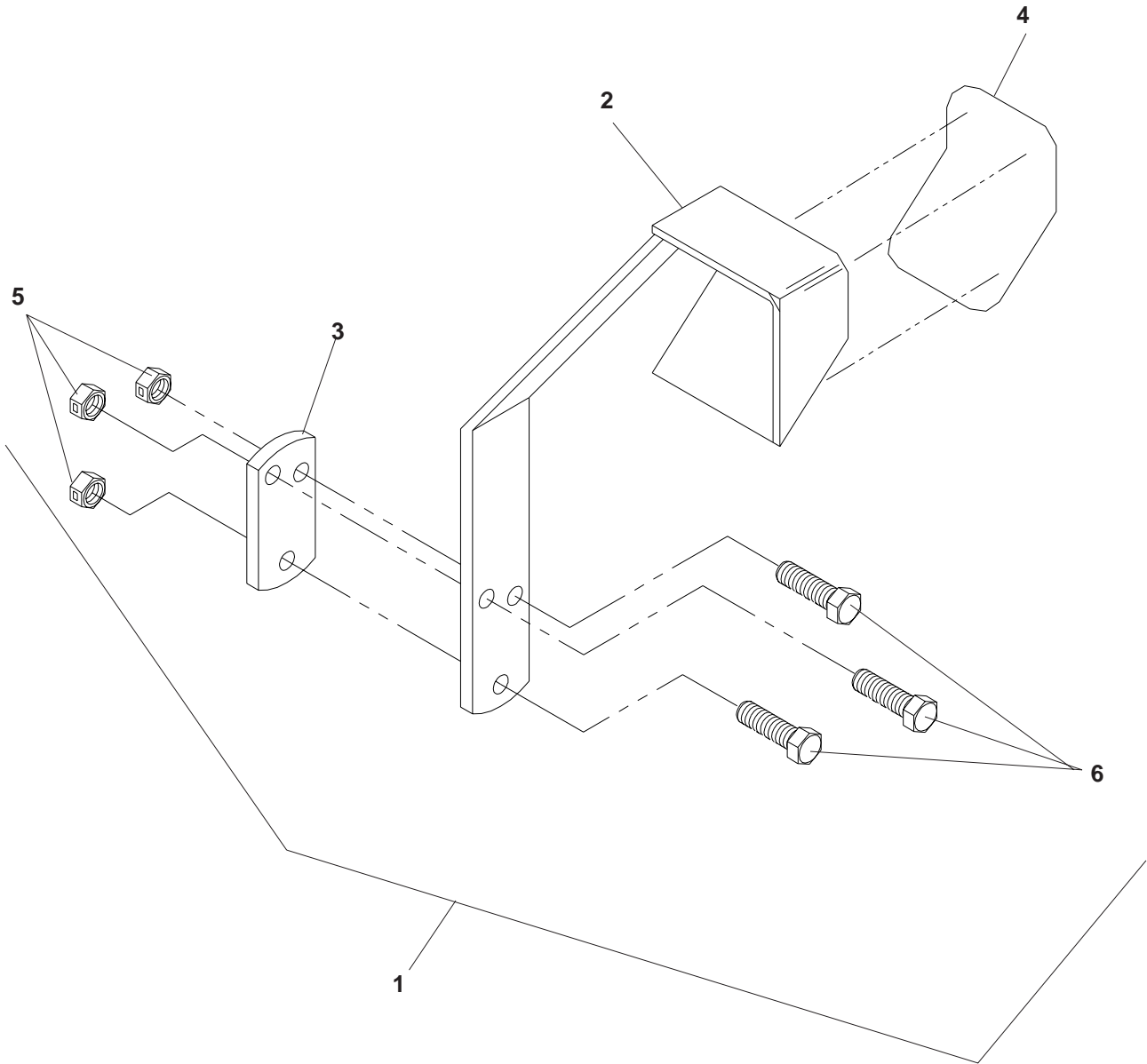


DECALS

ITEM	PART NO.	QTY.	DESCRIPTION
1	539 100128	1	DECAL, EXHAUST
2	539 101881	1	DECAL, PROP 65
3	539 103333	2	DECAL, MOTION CONTROL
4	539 105071	1	DECAL, NASCAR
5	539 913010	1	DECAL, WARNING
6	539 105743	2	DECAL, EURO NO STEP
7	539 105744	1	DECAL, EURO DANGER, BELT
8	539 105745	1	DECAL, EURO BATTERY WARNING
9	539 105746	2	DECAL, EURO SEVERING
10	539 107289	1	DECAL, SERVICE
11	539 110956	1	DECAL, CONSOLE
12	539 110967	1	DECAL, BELT ROUTING
13	539 110973	1	DECAL, HEIGHT ADJUSTMENT
14	539 110974	1	DECAL, H.S.T.
15	539 111047	1	DECAL, HUSQVARNA
16	539 111055	1	DECAL, CROWN
17	539 111575	1	DECAL, WARNING
18	539 111597	1	DECAL, RELAYS
	539 102670	1	DECAL, FUEL VALVE (NOT SHOWN)
	539 105301	1	DECAL, MOBIL (NOT SHOWN)
	539 109909	1	DECAL, MICH SEAT, HUSQVARNA (NOT SHOWN)
	539 110278	1	DECAL, 80dba (NOT SHOWN)
	539 110279	1	DECAL, ECM (NOT SHOWN)

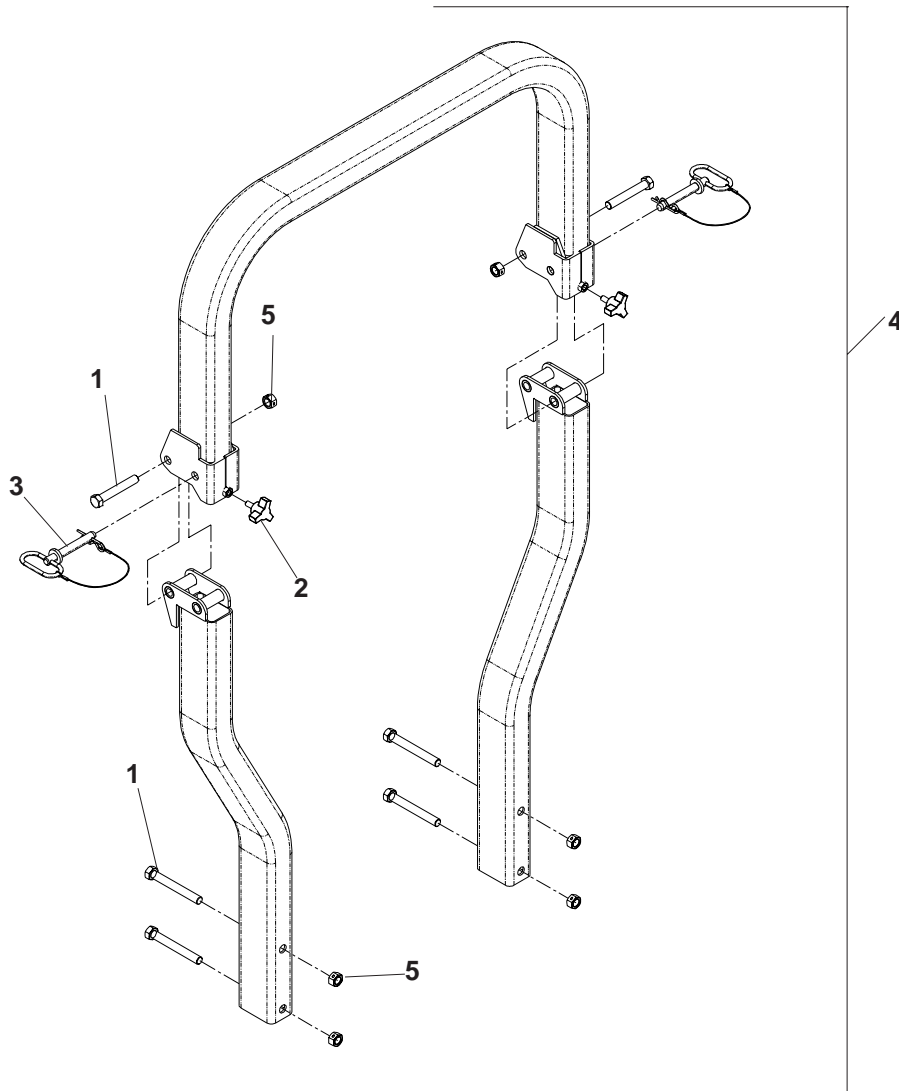
LIFT PEDAL

MAY BE OPTIONAL



ITEM	PART NO.	QTY.	DESCRIPTION
1	539 105180	1	LIFT PEDAL KIT
2	539 105181	1	LIFT PEDAL
3	539 105184	1	TIGHTENING PLATE
4	539 105187	1	PAD-ANTI SKID
5	539 976979	3	NUT, 3/8-16, NYLOC
6	539 990655	3	HCS, 3/8-16 X 1 1/2, GR5

ROPS



ITEM	PART NO.	QTY.	DESCRIPTION
1	539 103433	6	HCS, 1/2C X 3 1/4, GR5
2	539 104411	2	KNOB W STUD
3	539 111036	2	LANYARD W/PIN, 1/2"
4	539 111443	1	ROPS, COMPLETE W/SEAT BELT
5	539 200100	6	NUT, 1/2-13, CENTERLOCK