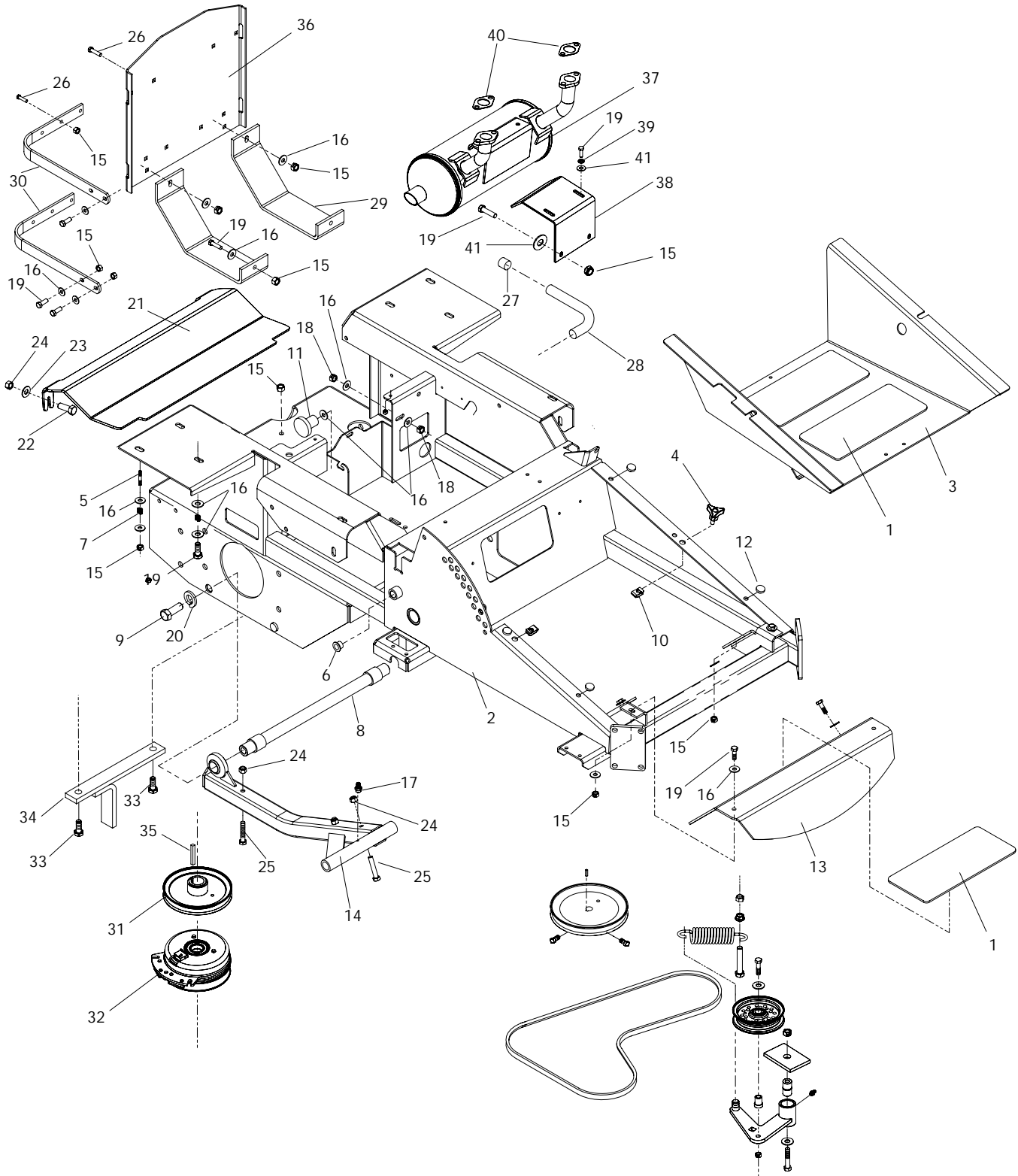


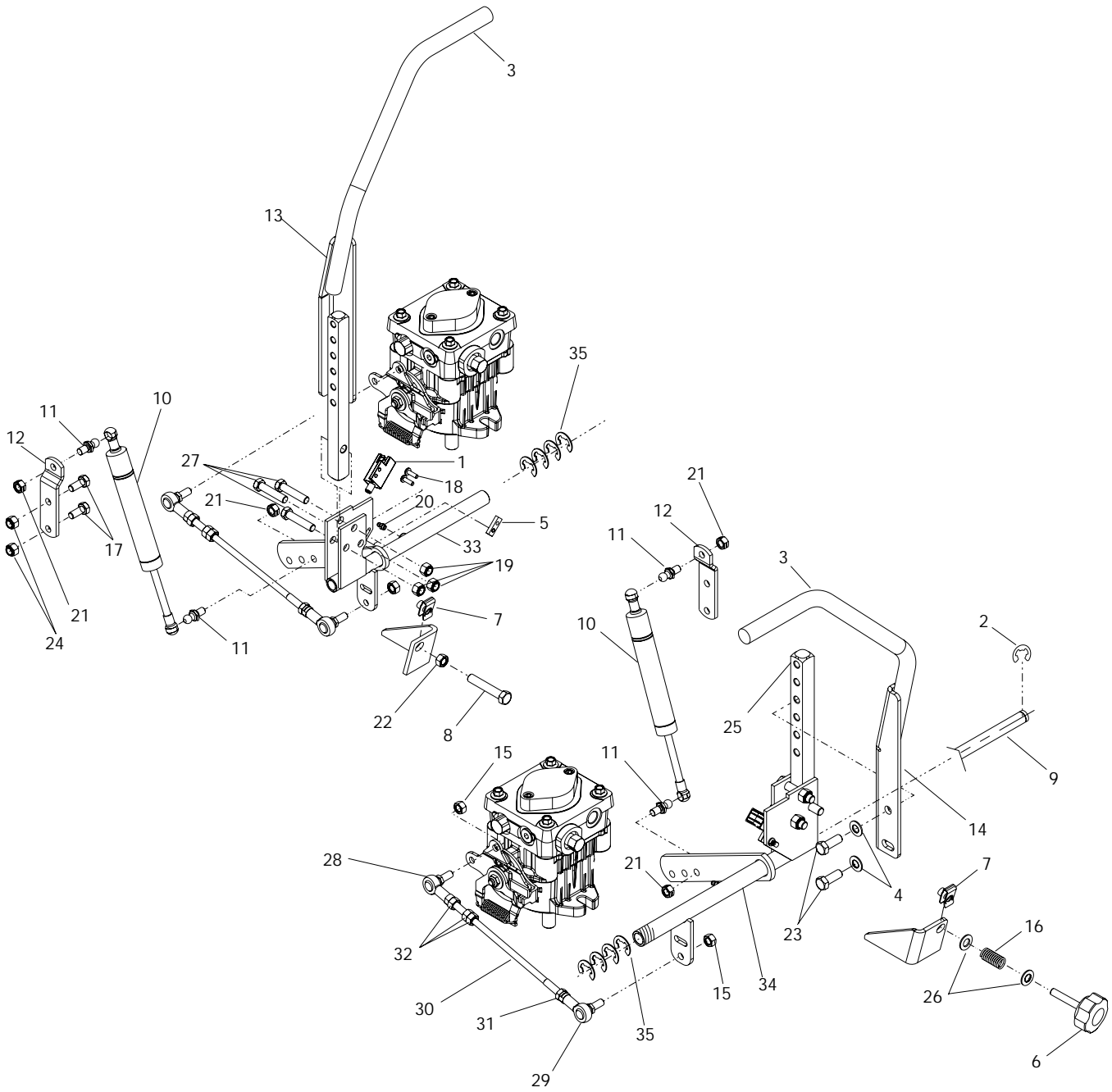
CHASSIS, ENGINE & PULLEYS



CHASSIS, ENGINE & PULLEYS

ITEM	PART NO.	QTY.	DESCRIPTION	ITEM	PART NO.	QTY.	DESCRIPTION
1..	539 977778....3	PAD-ABRASIVE	25..	539 990588....6	HCS, $\frac{3}{8}$ -16 x 2
2..	539 1110981	FRAME W/DECALS	26..	539 107271..10	RHSNB, $\frac{5}{16}$ -18 x 1
3..	539 1115731	FOOT PLATE W/DECALS	27..	539 101364....1	PLUG-OIL
4..	539 1044112	KNOB W/STUD	28..	539 101362....1	HOSE-DRAIN
5..	539 102502....6	TANK-STUD FUEL	29..	539 106957....2	SKID PLATE
6..	539 102519....2	BUSHING	30..	539 106961....4	STRAP
7..	539 102845....8	SPRING, FUEL TANK	31..	539 1127741	PULLEY
8..	539 104197....1	STRUT MOUNT	32..	539 105406....1	CLUTCH MODEL 968999771
9..	539 104199....2	HCS, $\frac{5}{8}$ -11 x 2		539 106880 ...1	CLUTCH MODEL 96899974
10..	539 104763....4	NUT, $\frac{5}{16}$ -18, U-TYPE	33..	539 990669....4	HCS, $\frac{5}{16}$ -18 x 1 $\frac{3}{4}$
11..	539 105169....1	KNOB	34..	539 106819....1	CLUTCH TIE DOWN
12..	539 102587....5	BUMPER	35..	539 912757....1	KEY, $\frac{1}{4}$ SQ x 1 $\frac{1}{4}$
13..	539 106941....1	FOOT REST	36..	539 106959....1	ENGINE GUARD
14..	539 110806....1	STRUT, RIGHT	37..	539 105897....1	MUFFLER MODEL 96899974
	539 110807....1	STRUT, LEFT	38..	539 1110931	BRACKET MUFFLER MODEL 96899974
15..	539 990717..12	NUT $\frac{5}{16}$ -18 HEX NYLOC	39..	539 990187....2	LOCKWASHER $\frac{5}{16}$
16..	539 990692.. 11	WASHER, $\frac{5}{16}$	40..	539 108199....2	GASKET
17..	539 976998....2	ZERK, STRAIGHT $\frac{1}{4}$ -28	41..	539 990692....2	WASHER, $\frac{5}{16}$
18..	539 990184....6	NUT, $\frac{5}{16}$ -18, CENTERLOCK				NOT SHOWN
19..	539 990209....8	HCS, $\frac{5}{16}$ -18 x 1		539 104415 ...1	PIGTAIL (KAWASAKI)
20..	539 990333....2	LOCKWASHER, $\frac{5}{8}$		539 104416 ...1	PIGTAIL (KOHLER)
21..	539 112953....1	REAR GUARD				
22..	539 990134....2	HCS, $\frac{3}{8}$ -16 X $\frac{3}{4}$				
23..	539 990517....2	WASHER, $\frac{3}{8}$				
24..	539 976979....2	NUT $\frac{3}{8}$ -16 HEX NYLOC				

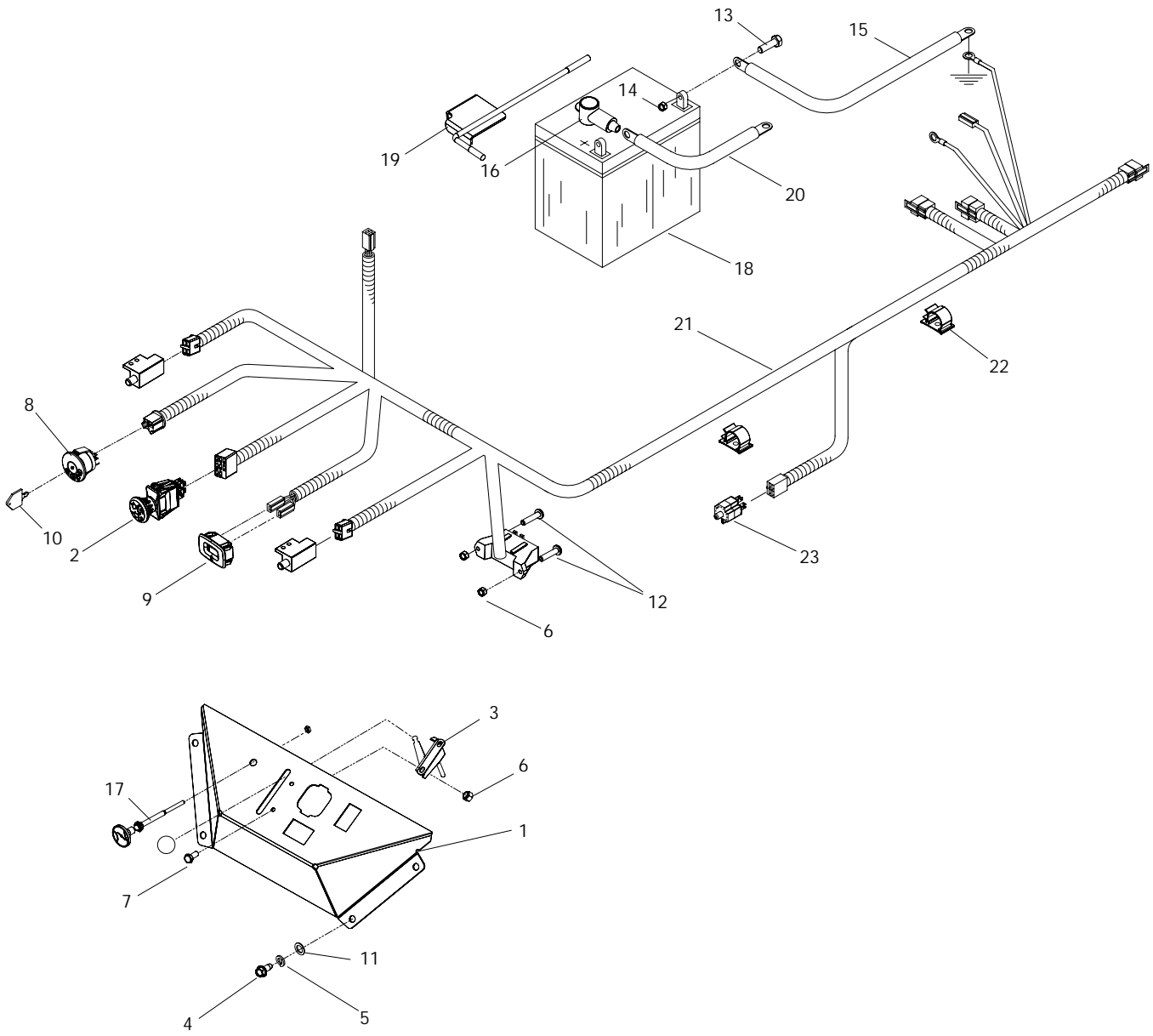
STEERING



STEERING

ITEM	PART NO.	QTY.	DESCRIPTION	ITEM	PART NO.	QTY.	DESCRIPTION
1..	539 101080....	2	SWITCH, INTERLOCK	19..	539 976979....	6	NUT $\frac{3}{8}$ -16 HEX NYLOC
2..	539 101949....	2	E-RING, $\frac{1}{2}$	20..	539 976998....	2	ZERK, STRAIGHT $\frac{1}{4}$ -28
3..	539 102592....	2	CUSHION, DRIVE LEVER	21..	539 990184....	4	NUT, $\frac{5}{16}$ -18, CENTERLOCK
4..	539 102593....	4	WASHER, $\frac{3}{8}$, SPRING, SPEC	22..	539 990196....	1	NUT, $\frac{5}{16}$ -18
5..	539 102678....	2	TAPPED PLATE	23..	539 990563....	4	HCS $\frac{3}{8}$ -16 x 1
6..	539 103003....	1	ADJUSTMENT KNOB	24..	539 990717....	4	NUT $\frac{5}{16}$ -18 HEX NYLOC
7..	539 104763....	2	NUT, $\frac{5}{16}$ -18, U-TYPE	25..	539 110638....	2	ARM CONTROL SHAFT
8..	539 108394....	1	HCS, $\frac{5}{16}$ -18 x $1\frac{3}{4}$, TPBLT	26..	539 990692....	2	WASHER, $\frac{5}{16}$
9..	539 108659....	1	CONTROL SHAFT	27..	539 990730....	6	HCS, $\frac{3}{8}$ -16 x $1\frac{3}{4}$
10..	539 131932....	2	DAMPENER	28..	539 110603....	2	ROD END, SPHERICAL, RT
11..	539 110607....	4	BALL STUD	29..	539 110604....	2	ROD END, SPHERICAL, LT
12..	539 110811....	2	DAMPENER ARM	30..	539 103264....	2	LINKAGE
13..	539 131623....	1	DRIVE LEVER, RIGHT	31..	539 991073....	2	NUT, $\frac{5}{16}$, JAM, LH
14..	539 131622....	1	DRIVE LEVER, LEFT	32..	539 990223....	6	NUT, $\frac{5}{16}$
15..	539 110943....	4	NUT, $\frac{5}{16}$, NYLOC	33..	539 130703....	1	CONTROL ARM ASSEM, RT
16..	539 111039....	1	COMPRESSION SPRING	34..	539 130704....	1	CONTROL ARM ASSEM, LT
17..	539 976934....	4	HCS $\frac{5}{16}$ -18 x $\frac{3}{4}$	35..	539 105069....	8	E-RING, $\frac{5}{8}$
18..	539 976952....	4	SCREW, #10-24 x $\frac{5}{8}$				

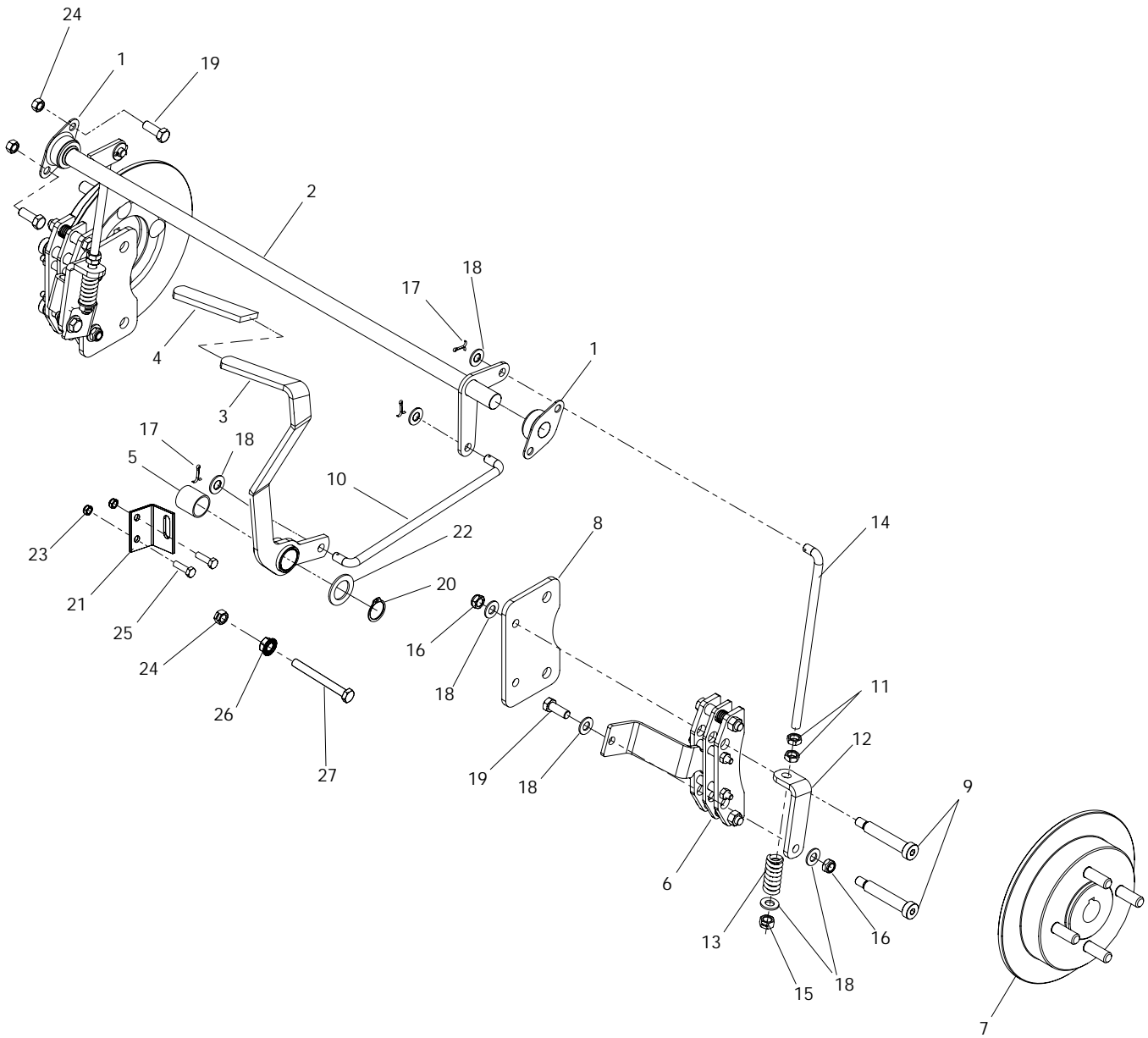
IGNITION SYSTEM



IGNITION SYSTEM

ITEM	PART NO.	QTY.	DESCRIPTION	ITEM	PART NO.	QTY.	DESCRIPTION
1..	539 110953....	1	CONSOLE	13..	539 976934....	2	HCS $\frac{5}{16}$ -18 x $\frac{3}{4}$
2..	539 131627....	1	SWITCH, PTO 10 AMP	14..	539 990717....	2	NUT $\frac{5}{16}$ -18 HEX NYLOC
3..	539 103275....	1	THROTTLE CABLE	15..	539 102758....	1	CABLE, NEGATIVE
4..	539 990362....	4	SCREW $\frac{1}{4}$ -20 x $\frac{5}{8}$	16..	539 102759....	2	INSULATOR-BATTERY
5..	539 990052....	4	WASHER, $\frac{1}{4}$ SPLIT LOCK	17..	539 130208....	1	CHOKE CNTRL / LZ25 ONLY
6..	539 976977....	2	NUT #10-24 HEX NYLOC	18..	539 102436....	1	BATTERY, DRY
7..	539 990411	2	HCS #10-24 x $\frac{1}{2}$	19..	539 106899....	1	HOLD DOWN, BATTERY
8..	539 107541....	1	IGNITION SWITCH	20..	539 103306....	1	CABLE, POSITIVE
9..	539 110074....	1	HOUR METER	21..	539 113791	1	HARNESS
10..	539 107544....	1	KEY, IGNITION	22..	539 110815....	2	WIRE CLIP PUSH-MOUNT
11..	539 990598....	4	WASHER, $\frac{1}{4}$ FLAT	23..	539 113792....	1	SWITCH, BRAKE
12..	539 102617....	2	SCREW #10-24 x $\frac{7}{8}$ SLT HD				

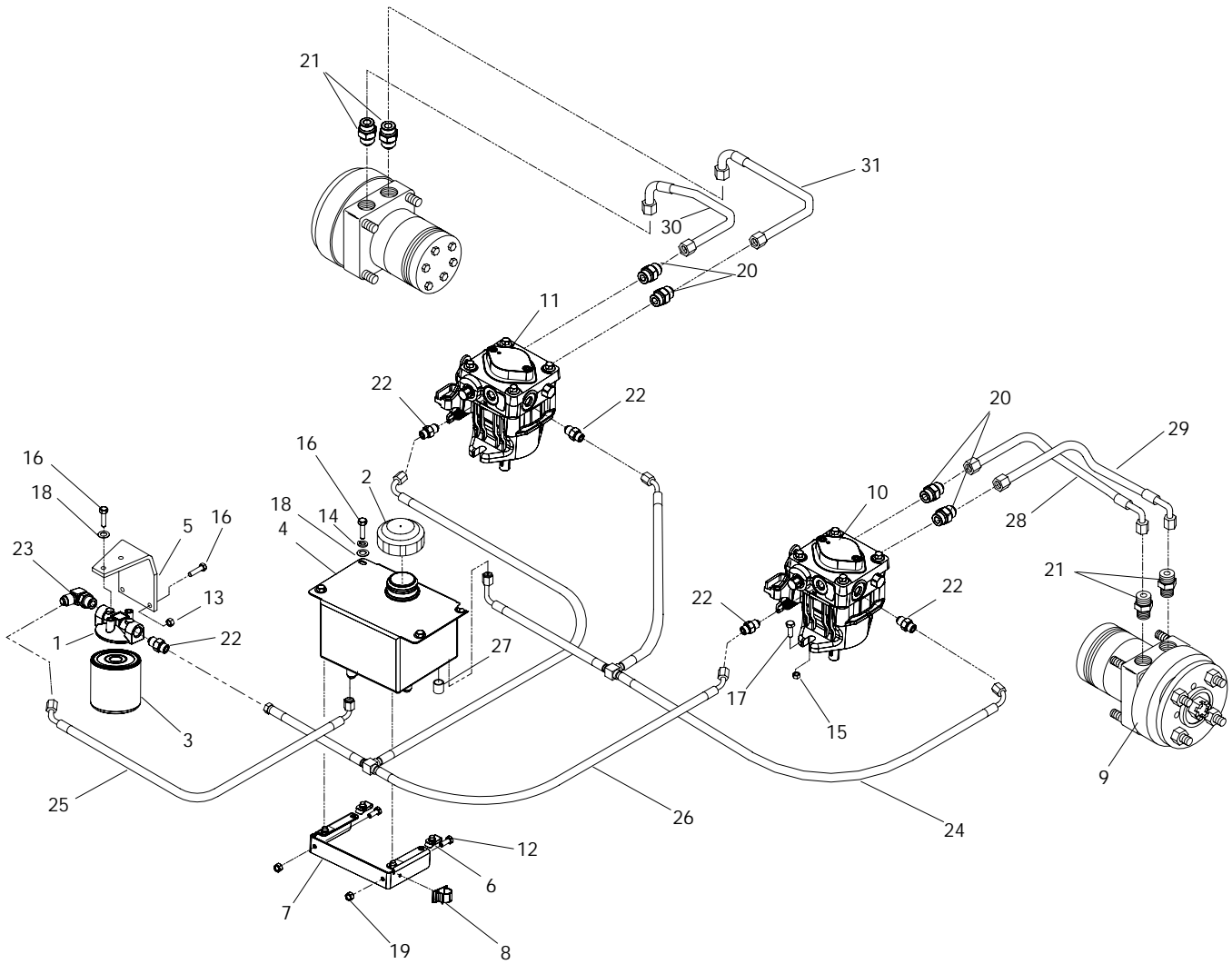
PARKING BRAKE



PARKING BRAKE

ITEM	PART NO.	QTY.	DESCRIPTION	ITEM	PART NO.	QTY.	DESCRIPTION
1..	539 102797....	2	BUSHING, FLANGED	15..	539 990289....	1	NUT, $\frac{3}{8}$ -24, CENTERLOCK
2..	539 106969....	1	BRAKE CROSS SHAFT	16..	539 200282....	2	NUT, $\frac{3}{8}$ -16, THIN NYLOC
3..	539 108616....	1	BRAKE LEVER	17..	539 990037....	3	PIN COTTER, $\frac{3}{32}$ x $\frac{3}{4}$
4..	539 105036....	1	GRIP PARK BRAKE	18..	539 990122....	7	WASHER, $\frac{3}{8}$, SAE
5..	539 108619....	1	BUSHING	19..	539 990563....	6	HCS $\frac{3}{8}$ -16 x 1
6..	539 133047....	2	CALIPER	20..	539 101151....	1	RING, RETAINING, EXT $\frac{7}{8}$
7..	539 113945....	2	HUB	21..	539 105029....	1	BRACKET
8..	539 113948....	2	PLATE, BRAKE	22..	539 923787....	1	BUSHING
9..	539 113951....	4	SCREW, $\frac{3}{8}$ -16 x $2\frac{1}{2}$, SKT	23..	539 976978....	2	NUT $\frac{1}{4}$ -20 HEX NYLOC
10..	539 113954....	1	LINKAGE, BRAKE	24..	539 976979....	5	NUT $\frac{3}{8}$ -16 HEX NYLOC
11..	539 108732....	2	NUT, $\frac{3}{8}$ -24, JAM	25..	539 990580....	2	HCS, $\frac{1}{4}$ -20 x $\frac{3}{4}$
12..	539 113950....	1	L BRACKET	26..	539 990613....	1	NUT, $\frac{3}{8}$ -16, WHIZLK
13..	539 113952....	1	SPRING	27..	539 990637....	1	HCS, $\frac{3}{8}$ -16 x $2\frac{1}{2}$
14..	539 113955....	1	LINKAGE, REAR BRAKE				

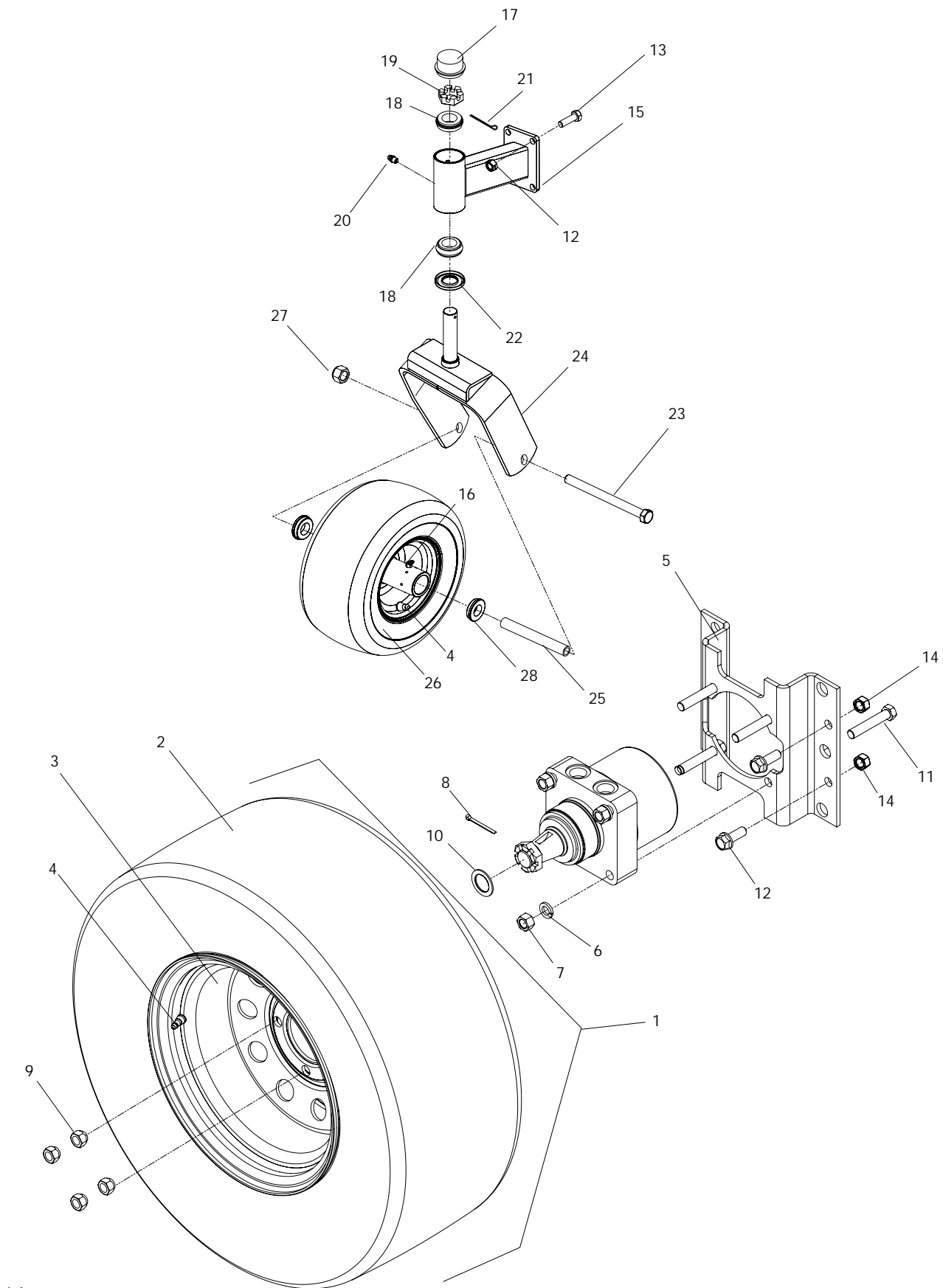
HYDRAULIC PUMP - MOTOR



HYDRAULIC PUMP - MOTOR

ITEM	PART NO.	QTY.	DESCRIPTION	ITEM	PART NO.	QTY.	DESCRIPTION
1..	539 101165....	1	FILTER HEAD	17..	539 990582....	4	HCS $\frac{3}{8}$ -16 x 1 WHIZLK
2..	539 101202....	1	CAP HYDRO TANK	18..	539 990598....	5	WASHER $\frac{1}{4}$ FLAT
3..	539 102606....	1	FILTER	19..	539 990717....	2	NUT $\frac{5}{16}$ -18 HEX NYLOC
4..	539 105024....	1	OIL TANK	20..	539 101237....	4	FITTING STRAIGHT
5..	539 106933....	1	FILTER BRACKET	21..	539 102396....	4	FITTING STRAIGHT
6..	539 110813....	4	RETAINER $\frac{1}{4}$ -20 U-TYPE	22..	539 113782....	5	FITTING STRAIGHT
7..	539 110814....	1	TANK MOUNT	23..	539 101238....	1	FITTING ELBOW
8..	539 110815....	1	WIRE CLIP PUSH-MOUNT	24..	539 132315....	1	"T" ASSEM RETURN
9..	539 110823....	2	TI15 WHEEL MOTOR	25..	539 132313 ...	1	TANK HOSE
10..	539 132142....	1	PUMP 10cc W/FAN LEFT	26..	539 132314 ...	1	"T" ASSEM SUPPLY
11..	539 132143....	1	PUMP 10cc W/FAN RIGHT	27..	539 105168....	1	CAP
12..	539 976934....	2	HCS $\frac{5}{16}$ -18 x $\frac{3}{4}$	28..	539 132309....	1	HYDRAULIC LINE
13..	539 976978....	2	NUT $\frac{1}{4}$ -20 HEX NYLOC	29..	539 132310....	1	HYDRAULIC LINE
14..	539 990052....	2	WASHER, $\frac{1}{4}$ SPLIT LOCK	30..	539 132311	1	HYDRAULIC LINE
15..	539 990546....	4	NUT $\frac{3}{8}$ -16 HEX CTR LK	31..	539 132312....	1	HYDRAULIC LINE
16..	539 990580....	8	HCS $\frac{1}{4}$ -20 x $\frac{3}{4}$				

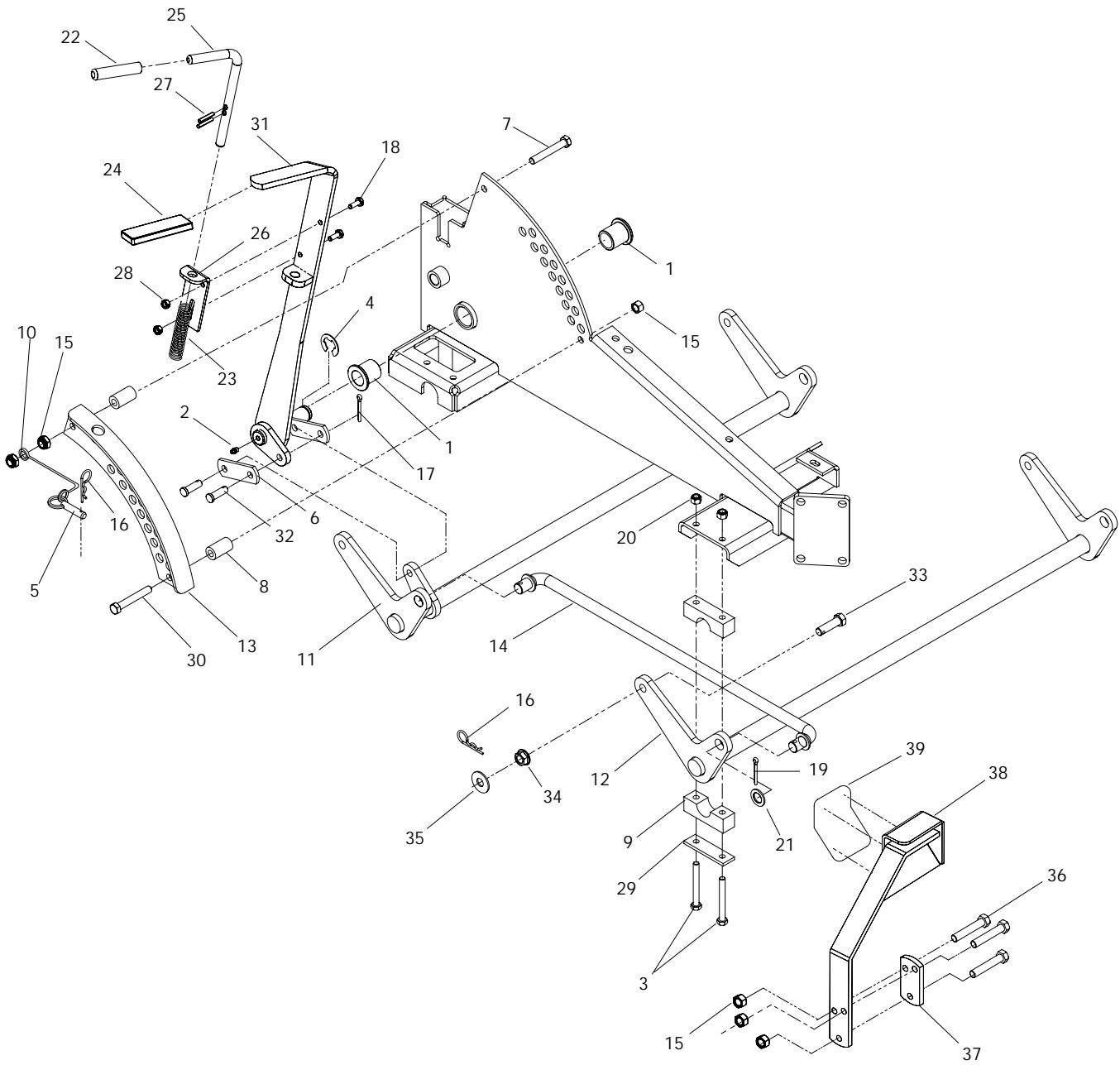
WHEELS AND TIRES



WHEELS AND TIRES

ITEM	PART NO.	QTY.	DESCRIPTION	ITEM	PART NO.	QTY.	DESCRIPTION
1..	539 112592....2	TIRE ASSEM, RR 23 x 9.5-12	16..	539 976997....2	ZERK
2..	539 112599....2	TIRE RR	17..	539 102535....2	CAP GREASE
3..	539 107392....2	RIM RR	18..	539 102543....4	BEARING-ROLLER
4..	539 912234....4	VALVE	19..	539 102852....2	NUT 1-14 SLOTTED JAM
5..	539 106989....2	MOUNT WHEEL MOTOR	20..	539 101474....2	ZERK
6..	539 990254....4	WASHER, ½ SPLT LOCK	21..	539 102889....2	COTTER PIN
7..	539 990258....4	NUT ½-13 HEX	22..	539 102851....2	SEAL
8..	539 104288....1	COTTER PIN	23..	539 102855....2	HCS ½-13 x 7½
9..	539 101173....4	LUG NUT ½	24..	539 104571....2	YOKE, CASTER
10..	539 916561....1	BUSHING, 1 x 14 GA	25..	539 102856....2	SPACER, AXLE
11..	539 101332....4	HCS ½-13 x 2¾	26..	539 104572....2	WHEEL ASSEM, CASTER
12..	539 990839....8	NUT 7/16-14	27..	539 101331....2	NUT ½-13 HEX NYLOC
13..	539 100143....8	HCS 7/16-14 x 1	28..	539 102484....4	FLANGE BEARING
14..	539 101331....8	NUT ½-13 HEX NYLOC				NOT SHOWN
15..	539 106986....2	CASTER ARM		539 102485 ...4	BEARING, ROLLER, CASTER

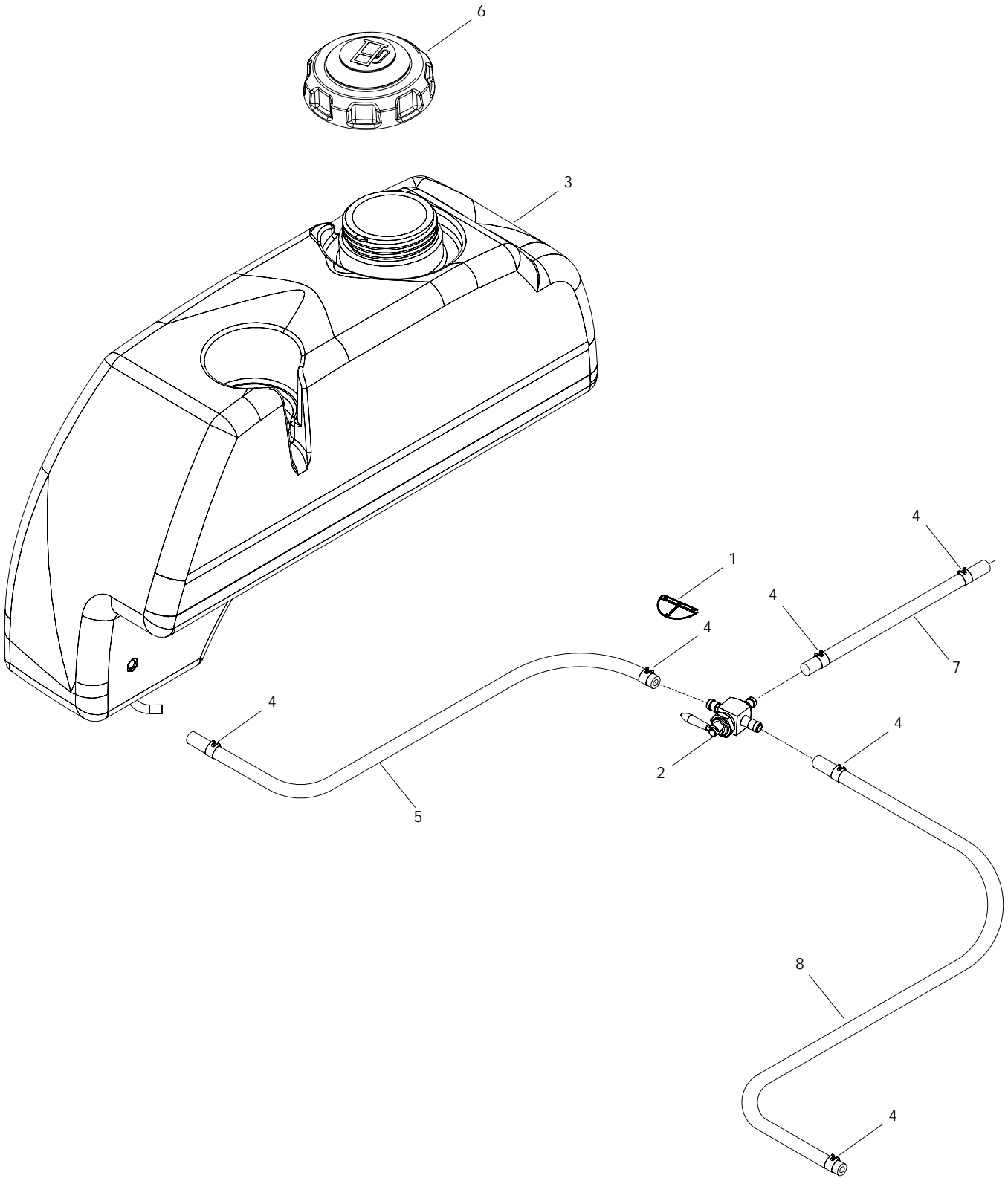
MOWER LIFT / DECK LIFT



MOWER LIFT / DECK LIFT

ITEM	PART NO.	QTY.	DESCRIPTION	ITEM	PART NO.	QTY.	DESCRIPTION
1..	539 101232....	2	BUSHING	21..	539 991043....	4	BUSHING
2..	539 101474....	2	ZERK	22..	539 101050....	1	GRIP, VINYL
3..	539 101721....	8	HCS, $\frac{5}{16}$ -18 x $2\frac{3}{4}$	23..	539 101058....	1	SPRING, COMPRESSION
4..	539 101802....	1	RING-E, $\frac{7}{8}$	24..	539 102515....	1	GRIP, LIFT LEVER
5..	539 102526....	1	PIN LIFT, $\frac{1}{2}$ x 2, W/RINGS	25..	539 103533....	1	PIN $\frac{1}{2}$ x 6.69 "L"
6..	539 102565....	2	LINKAGE	26..	539 103534....	1	PIN MT
7..	539 102612....	1	HCS, $\frac{3}{8}$ -16 x $2\frac{3}{4}$	27..	539 106532....	1	PIN GROOVED, $\frac{3}{16}$ x $1\frac{1}{4}$
8..	539 104530....	2	SPACER	28..	539 990761....	2	NUT $\frac{1}{4}$ -20, CENTERLOCK
9..	539 104808....	8	BLOCK-PILLOW	29..	539 104807....	4	REINFORCED BAR
10..	539 105059....	1	LANYARD	30..	539 990637....	1	HCS $\frac{3}{8}$ -16 x $2\frac{1}{2}$
11..	539 109955....	1	REAR LIFT SHAFT	31..	539 109961....	1	LIFT LEVER
12..	539 109956....	1	FRONT LIFT SHAFT	32..	539 977703....	2	PIN CLEVIS, $\frac{3}{8}$ x $1\frac{1}{8}$
13..	539 110803....	1	ADJUSTMENT PLATE	33..	539 112520....	4	HCS $\frac{7}{16}$ -14 x $1\frac{1}{2}$
14..	539 110808....	2	CROSS LINK	34..	539 102582....	4	NUT $\frac{7}{16}$ -14 WHZLCK
15..	539 976979....	7	NUT $\frac{3}{8}$ -16 HEX NYLOC	35..	539 104864....	4	WASHER $\frac{7}{16}$ FLAT
16..	539 976989....	2	PIN HAIR .120 x $2\frac{1}{2}$	36..	539 990655....	3	HCS $\frac{3}{8}$ -16 x $1\frac{1}{2}$
17..	539 990365....	5	PIN COTTER	37..	539 105184....	1	PLATE, TIGHTENING
18..	539 990580....	2	HCS $\frac{1}{4}$ -20 x $\frac{3}{4}$	38..	539 105181....	1	LIFT PEDAL
19..	539 990654....	4	PIN COTTER $\frac{5}{32}$ x $1\frac{1}{4}$	39..	539 105187....	1	PAD, ANTI-SKID
20..	539 990717....	4	NUT $\frac{5}{16}$ -18 HEX NYLOC				

FUEL SYSTEM

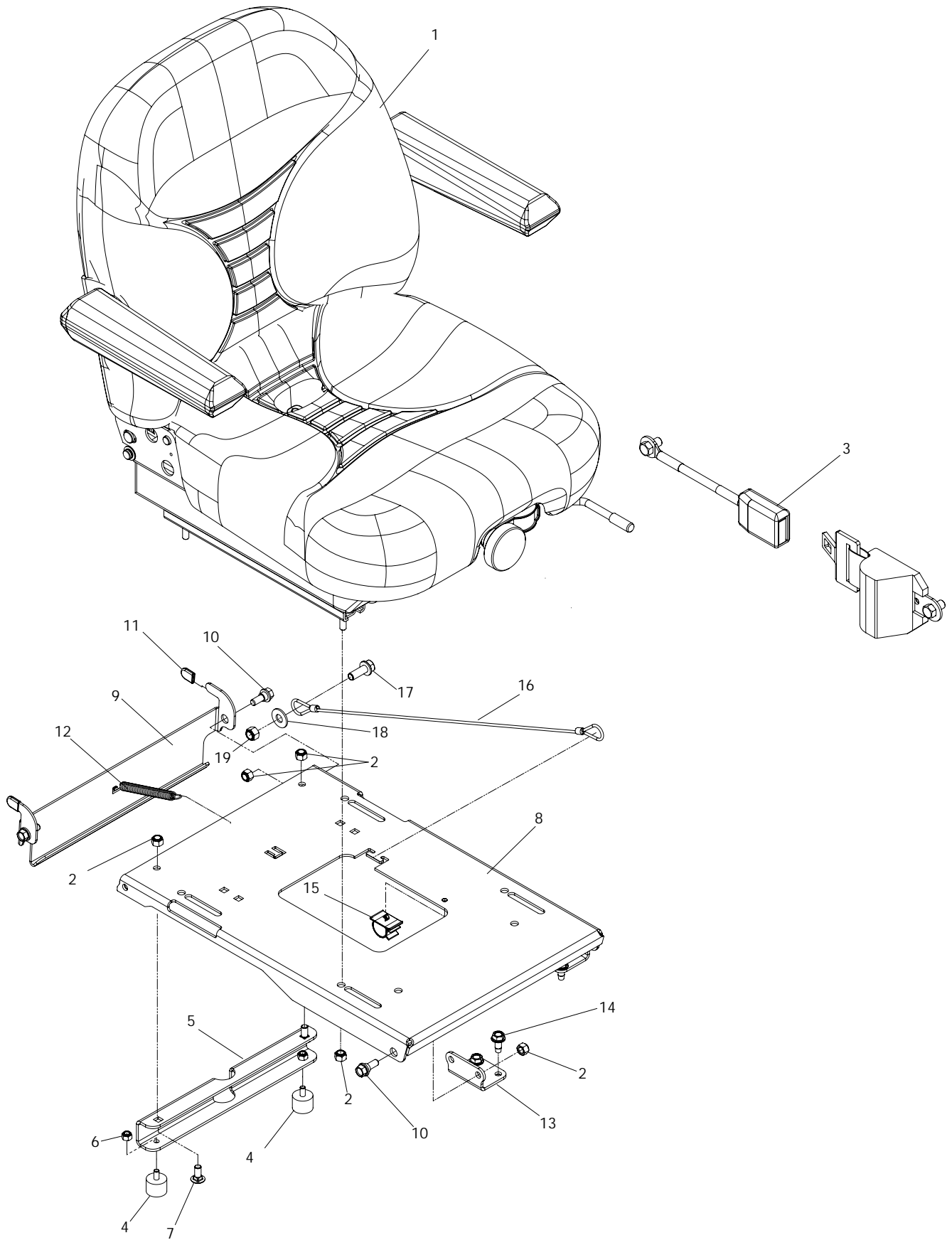


FUEL SYSTEM

ITEM	PART NO.	QTY.	DESCRIPTION
1..	539 102670....1	DECAL-FUEL VALVE
2..	539 102679....1	VALVE-FUEL
3..	539 104410....1	TANK-FUEL RIGHT
	539 104409 ...1	TANK-FUEL LEFT
4..	539 912222....6	CLAMP-HOSE

ITEM	PART NO.	QTY.	DESCRIPTION
5..	539 105527....1	LINE, FUEL
6..	539 106188....1	CAP, FUEL
7..	539 108212....1	LINE, FUEL (KOHLER)
	539 105281 ...1	LINE, FUEL (KAWASAKI)
8..	539 105530....1	LINE, FUEL

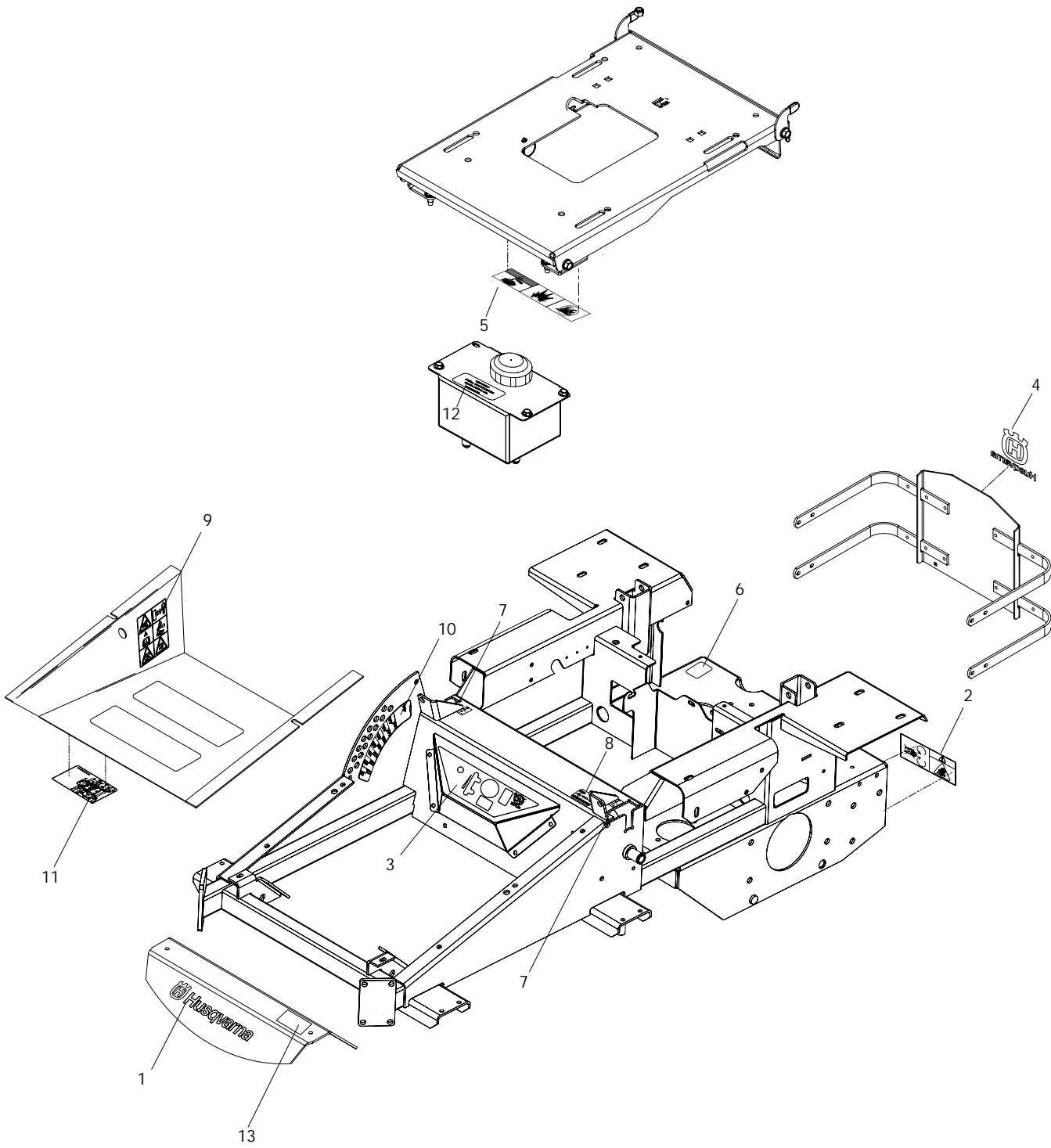
SEAT



SEAT

ITEM	PART NO.	QTY.	DESCRIPTION	ITEM	PART NO.	QTY.	DESCRIPTION
1..	539 132203....	1	SEAT	11..	539 130898....	2	GRIP, VINYL
2..	539 990717....	8	NUT ⁵ / ₁₆ -18 HEX NYLOC	12..	539 977250....	1	SPRING
3..	539 130359....	1	SEAT BELT-RETRACTABLE	13..	539 130789....	2	PIVOT SEAT PAN
4..	539 105039....	2	STUD PLATE MOUNT	14..	539 107475....	4	BOLT ⁵ / ₁₆ -18 x ³ / ₄ THD FRM
5..	539 132332....	1	STANDOFF, SEAT PAN	15..	539 110815....	1	WIRE CLIP PUSH-MOUNT
6..	539 976978....	2	NUT ¹ / ₄ -20 HEX NYLOC	16..	539 103247....	1	SEAT LANYARD
7..	539 990316....	2	RHSNB ⁵ / ₁₆ -18 x ³ / ₄	17..	539 990582....	1	HCS ³ / ₈ -16 x 1 WHIZLK
8..	539 130785....	1	PAN, SEAT	18..	539 990517....	1	WASHER ³ / ₈ FLAT STD
9..	539 130787....	1	LATCH, SEAT	19..	539 976979....	1	NUT ³ / ₈ -16 HEX NYLOC
10..	539 130896....	4	SB ⁵ / ₁₆ -18 HEX HD				

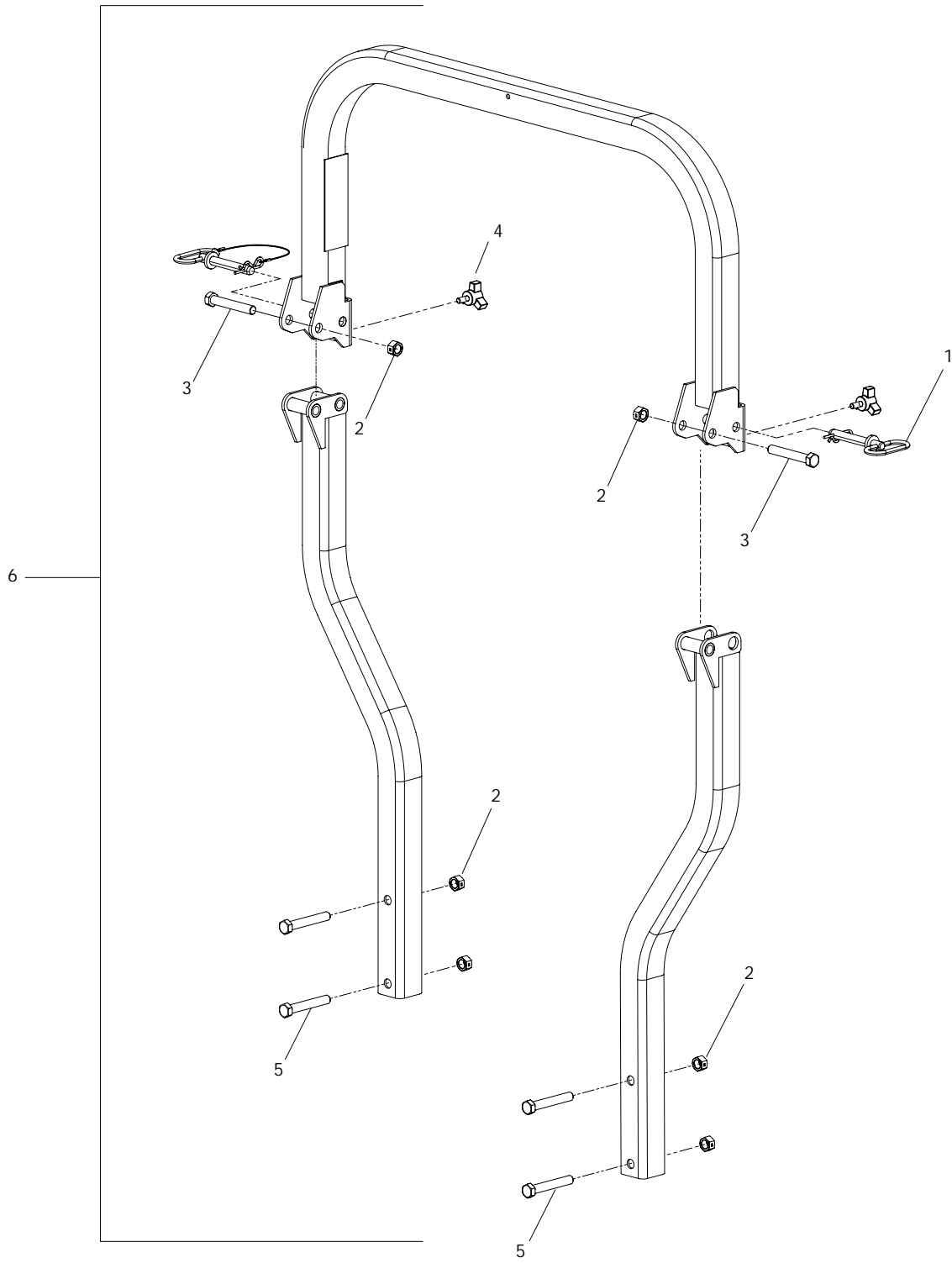
DECALS



DECALS

ITEM	PART NO.	QTY.	DESCRIPTION	ITEM	PART NO.	QTY.	DESCRIPTION
1..	539 1110471DECAL, HUSQ. 12" BLUE	10..	539 110973	...1	...DECAL, HEIGHT
2..	539 105744	...1	...DECAL, DANGER	11..	539 1050111DECAL, SERVICE
3..	539 1109561DECAL, CONSOLE	12..	539 114832	...1	...DECAL, OIL TANK
4..	539 1110551DECAL, HUSQ. SILVER	13..	539 1125181DECAL, iZ21
5..	539 105745	...1	...DECAL, BATTERY WARNING		539 1102581DECAL, iZ25
6..	539 101881	...1	...DECAL, PROP 65				NOT SHOWN
7..	539 103333	...2	...DECAL, MOTION CONTROL		539 100128	...1DECAL, EXHAUST
8..	539 110974	...2	...DECAL, TRACKING		539 110278	...1	...DECAL, 80 DBA, AUST
9..	539 1115751DECAL, WARNING		539 110279	...1	...DECAL, ECM, AUST

PROTECTION FRAME



PROTECTION FRAME

ITEM	PART NO.	QTY.	DESCRIPTION	ITEM	PART NO.	QTY.	DESCRIPTION
1..	539 1110362	PIN ½ W/LANYARD	4..	539 1320832	KNOB W/STUD
2..	539 2001006	NUT ½-13 CENTERLOCK	5..	539 1083664	HCS ½-13 x 4
3..	539 1034332	HCS ½-13 x 3¼	6..	539 1109661	ROPS COMPLETE