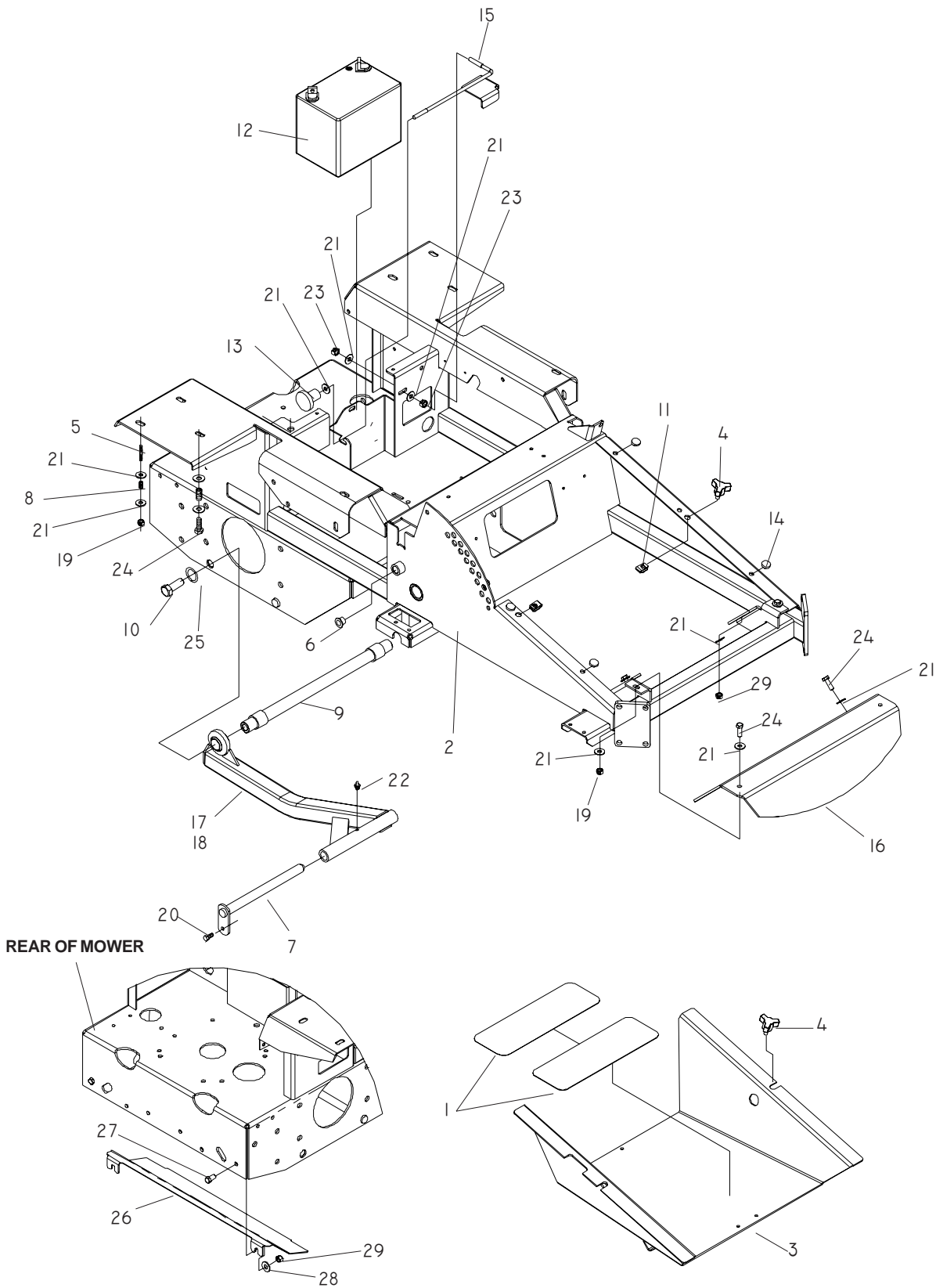


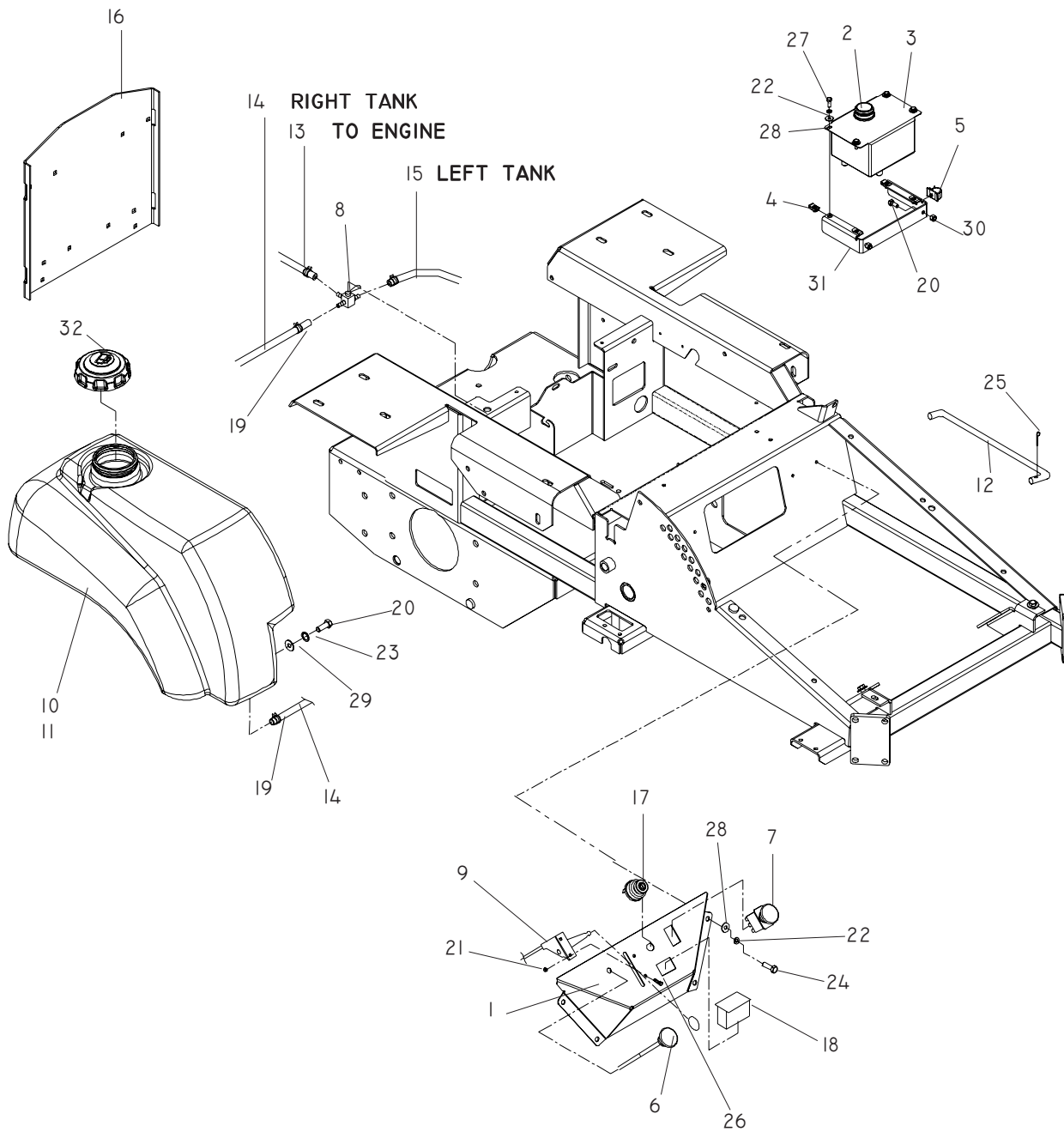
CHASSIS / FRAME



CHASSIS / FRAME

ITEM	PART NO.	QTY.	DESCRIPTION	ITEM	PART NO.	QTY.	DESCRIPTION
1...	539 977778	... 3...	PAD-ABRASIVE	16...	539 106941	... 1...	FOOT REST
2....	539 111098	... 1...	FRAME W/DECALS	17....	539 110806	... 1...	STRUT, RIGHT
3....	539 111573	... 1...	FOOT PLATE W/DECALS	18....	539 110807	... 1...	STRUT, LEFT
4....	539 104411	... 2...	KNOB W/STUD	19...	539 990717	. 26...	NUT, ⁵ / ₁₆ -18, NYLOC
5...	539 102502	... 6...	TANK-STUD FUEL	20...	539 976934	... 8...	HCS, ⁵ / ₁₆ -18 X ³ / ₄
6...	539 102519	... 2...	BUSHING	21...	539 990692	. 27...	WASHER, ⁵ / ₁₆
7...	539 102619	... 2...	PIN, PIVOT	22...	539 976998	... 2...	ZERK, STRAIGHT, ¹ / ₄ -28
8...	539 102845	... 8...	SPRING, FUEL TANK	23...	539 990184	... 6...	NUT, ⁵ / ₁₆ -18, CENTERLOCK
9...	539 104197	... 1...	STRUT MOUNT	24...	539 990209	... 8...	HCS, ⁵ / ₁₆ -18 X 1
10...	539 104199	... 2...	HCS, ⁵ / ₈ -11 X 2	25...	539 990333	... 2...	LOCKWASHER, ⁵ / ₈
11...	539 104763	... 4...	NUT, ⁵ / ₁₆ -18, U-TYPE	26....	539 112953	... 1...	REAR GUARD, MODEL 968999672 ONLY
12...	539 102436	... 1...	BATTERY, DRY	27...	539 990134	... 2...	HCS, ³ / ₈ -16 X ³ / ₄ , GR5
13...	539 105169	... 1...	KNOB	28...	539 990517	... 2...	WASHER, ³ / ₈
14...	539 102587	... 2...	GROMMENT, BUMPER	29...	539 976979	... 2...	NUT, ³ / ₈ C, NYLOC
15...	539 106899	... 1...	BATTERY HOLD DOWN				

CHASSIS / FRAME

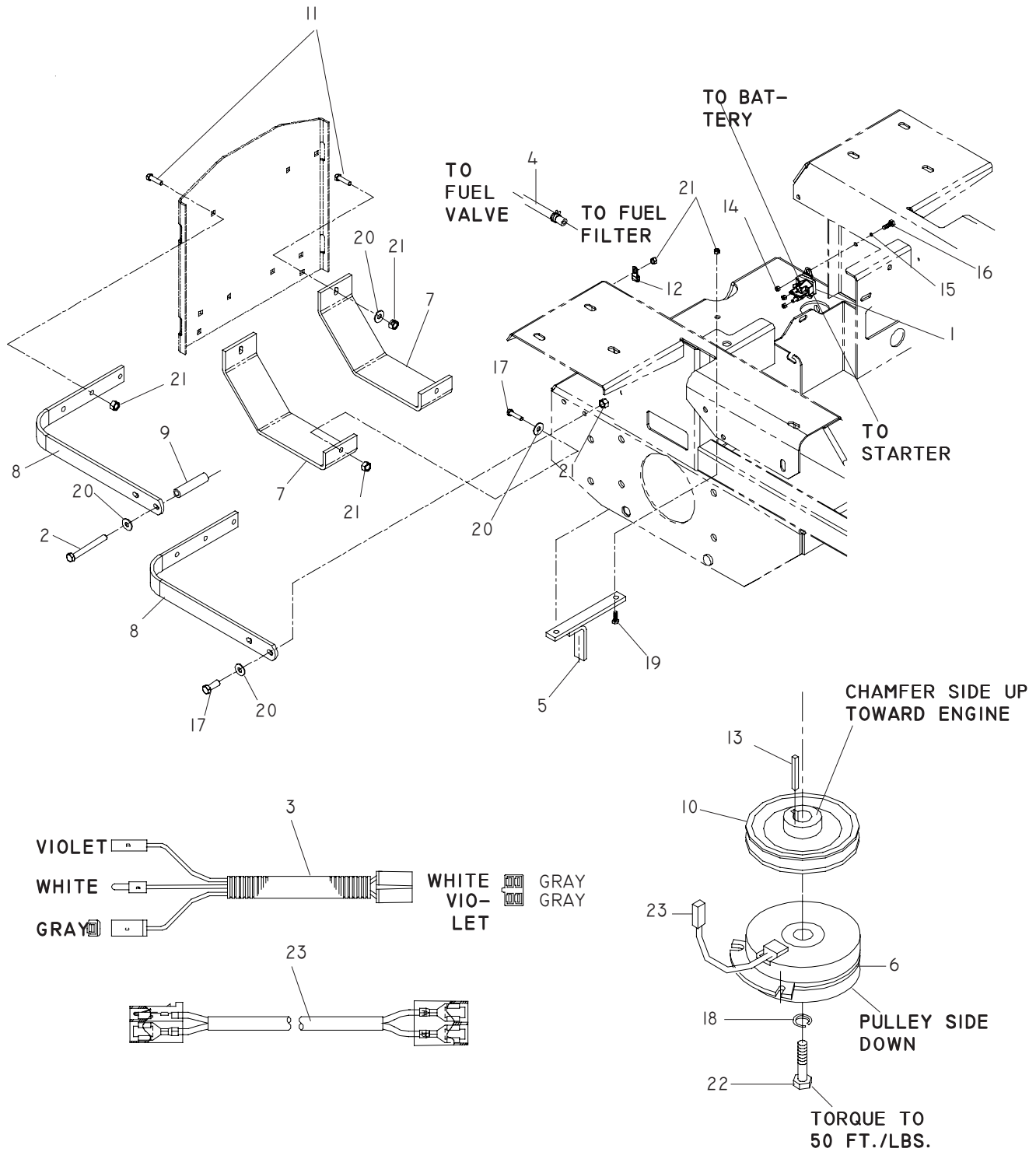


CHASSIS / FRAME

ITEM	PART NO.	QTY.	DESCRIPTION	ITEM	PART NO.	QTY.	DESCRIPTION
1....	539 111147	... 1...	CONSOLE W/DECALS	15...	539 105530	... 1...	FUEL LINE
2...	539 101202	... 1...	CAP-HYDRO RESERVOIR	16...	539 106959	... 1...	ENGINE GUARD
3...	539 105024	... 1...	OIL TANK	17...	539 107541	... 1...	IGNITION SWITCH
4....	539 110813	... 1...	RETAINER, "U" TYPE	18....	539 110074	... 1...	HOUR METER
5....	539 110815	... 1...	PUSH-MOUNT WIRE CLIP	19...	539 912222	... 6...	CLAMP, HOSE
6...	539 130207	... 1...	CHOKE CABLE MODELS: 968999672, 968999707, 968999708	20...	539 976934	. 12...	HCS, $\frac{5}{16}$ -18 x $\frac{3}{4}$
...	539 130208	... 1...	CHOKE CABLE, MODELS: 968999703, 968999704, 968999705, 968999706	21...	539 976977	... 4...	NUT, #10-24, NYLOC
7...	539 101768	... 1...	SWITCH	22...	539 990052	... 8...	LOCKWASHER, $\frac{1}{4}$
8...	539 102679	... 1...	VALVE, FUEL	23...	539 990187	... 2...	LOCKWASHER, $\frac{5}{16}$
9...	539 103275	... 1...	CONTROL, THROTTLE	24...	539 990362	... 4...	SCREW, $\frac{1}{4}$ -20 x $\frac{5}{8}$, SLF TAP
10...	539 104409	... 1...	TANK, FUEL, LEFT	25...	539 990365	... 5...	PIN COTTER, $\frac{1}{8}$ x $\frac{3}{4}$
11...	539 104410	... 1...	TANK, FUEL, RIGHT	26....	539 990411	... 2...	SCREW, #10-24 x $\frac{1}{2}$
12...	539 104525	... 1...	ROD, SEAT	27...	539 990580	... 4...	HCS, $\frac{1}{4}$ -20 x $\frac{3}{4}$
13...	539 105281	... 1...	FUEL LINE	28...	539 990598	. 12...	WASHER, $\frac{1}{4}$
14...	539 105527	... 1...	FUEL LINE	29...	539 990692	. 27...	WASHER, $\frac{5}{16}$
				30...	539 990717	. 26...	NUT, $\frac{5}{16}$ -18, NYLOC
				31....	539 110814	... 1...	TANK MOUNT
				32...	539 106188	... 2...	FUEL CAP, ANTI-SPLASH

ENGINE

KAWASAKI MODEL 968999703, 968999704, 968999705



ENGINE

KAWASAKI MODEL 968999703, 968999704, 968999705

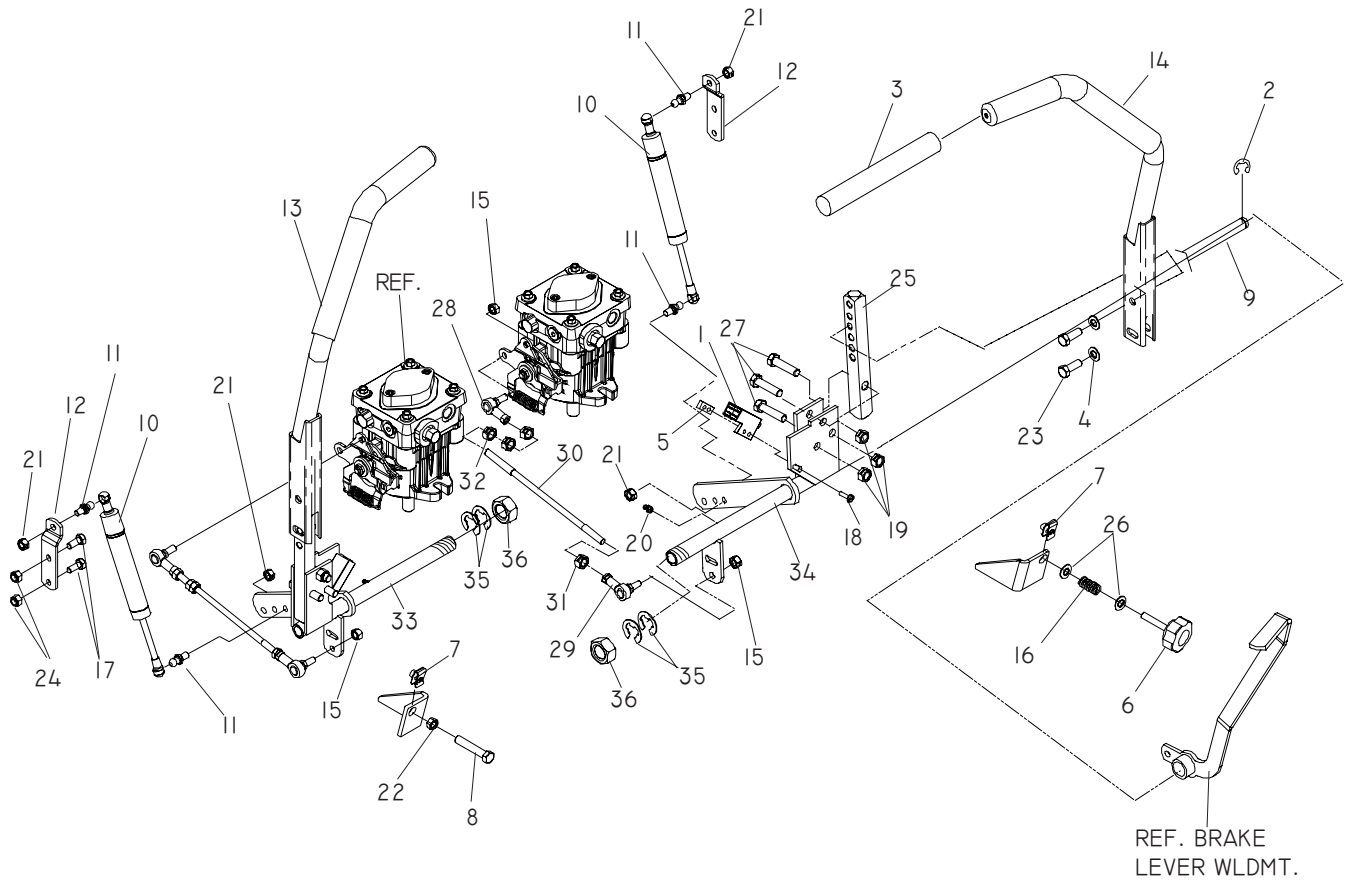
ITEM	PART NO.	QTY.	DESCRIPTION
1...	539 101714 ...	1...	SOLENOID
2...	539 102335 ...	1...	HCS, $\frac{5}{16}$ -18 x 4
3...	539 104415 ...	1...	PIGTAIL, KAWASAKI
4...	539 105281 ...	1...	FUEL LINE HOSE
5...	539 106819 ...	1...	CLUTCH TIE DOWN
6...	539 105804 ...	1...	CLUTCH MODELS 968999703, 968999704
...	539 106880 ...	1...	CLUTCH, MODELS 968999705,
7...	539 106957 ...	2...	SKID PLATE
8...	539 106961 ...	4...	STRAP
9...	539 106962 ...	1...	SPACER
10...	539 106992 ...	1...	PULLEY
11...	539 107271 .	10...	RHSNB, $\frac{5}{16}$ -18 x 1
12...	539 109867 ...	1...	CLAMP, DOUBLE TUBE
13...	539 912757 ...	1...	KEY, $\frac{1}{4}$ SQ x $1\frac{1}{4}$

ITEM	PART NO.	QTY.	DESCRIPTION
14...	539 976978 ...	5...	NUT, $\frac{1}{4}$ -20, NYLOC
15...	539 990053 ...	2...	WASHER, $\frac{1}{4}$
16...	539 990072 ...	2...	HCS, $\frac{1}{4}$ -20 x $\frac{5}{8}$
17...	539 990209 ...	7...	HCS, $\frac{5}{16}$ -18 x 1
18...	539 990247 ...	1...	LOCKWASHER, $\frac{7}{16}$
19...	539 990669 ...	4...	HCS, $\frac{5}{16}$ -18 x $1\frac{3}{4}$
20...	539 990692 .	10...	WASHER, $\frac{5}{16}$
21...	539 990717 .	22...	NUT, $\frac{5}{16}$ -18, NYLOC
22....	539 991120 ...	1...	HCS, $\frac{7}{16}$ -20 x $2\frac{1}{2}$
23...	539 105637 ...	1...	CLUTCH HARNESS MODELS: 968999703, 968999704

NOT SHOWN

...	539 102757 ...	1...	CABLE
...	539 102759 ...	2...	INSULATOR, BATTERY
...	539 976856 ...	2...	TIE, PLASTIC

STEERING

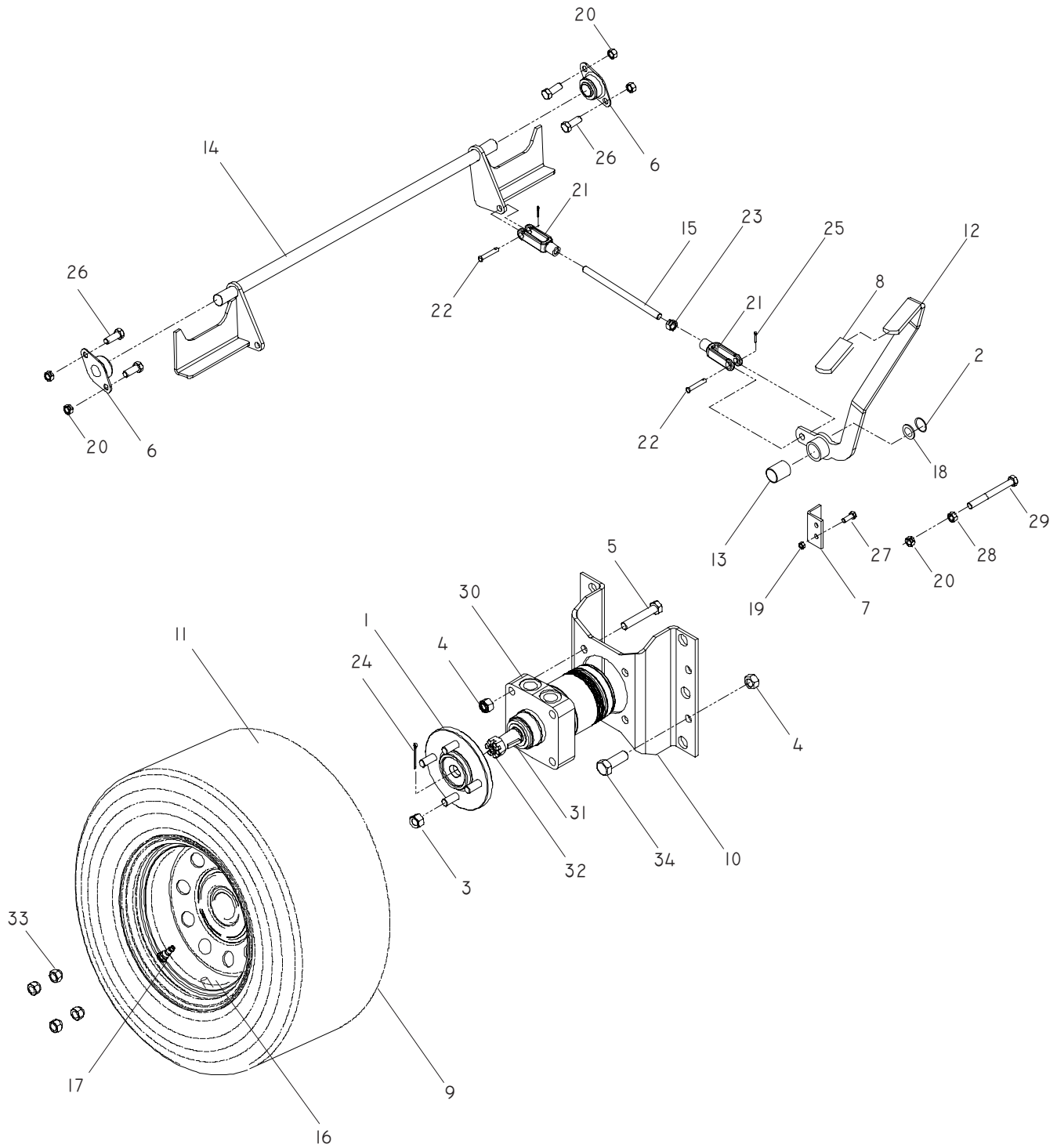


STEERING

ITEM	PART NO.	QTY.	DESCRIPTION	ITEM	PART NO.	QTY.	DESCRIPTION
1...	539 101080	3...	SWITCH, INTERLOCK	19...	539 976979	4...	NUT, $\frac{3}{8}$ -16, NYLOC
2...	539 101949	2...	E-RING, $\frac{1}{2}$	20...	539 976998	2...	ZERK, STRAIGHT, $\frac{1}{4}$ -28
3...	539 102592	2...	CUSHION, DRIVE LEVER	21...	539 990184	4...	NUT, $\frac{5}{16}$ -18, CENTERLOCK
4...	539 102593	4...	WASHER, $\frac{3}{8}$, SPRING, SPEC	22...	539 990196	1...	NUT, $\frac{5}{16}$ -18
5...	539 102678	1...	NUT, #10-24	23...	539 990563	4...	HCS, $\frac{3}{8}$ -16 x 1
6...	539 103003	1...	ADJUSTMENT KNOB	24...	539 990717	4...	NUT, $\frac{5}{16}$ -18, NYLOC
7...	539 104763	2...	NUT, $\frac{5}{16}$ -18, U-TYPE	25....	539 110638	2...	ARM CONTROL SHAFT
8...	539 108394	1...	HCS, $\frac{5}{16}$ -18 x $1\frac{3}{4}$, TPBLT	26...	539 990692	2...	WASHER, $\frac{5}{16}$
9...	539 108659	1...	CONTROL SHAFT	27...	539 990730	6...	HCS, $\frac{3}{8}$ -16 x $1\frac{3}{4}$
10....	539 110606	2...	DAMPENER	28....	539 110603	2...	ROD END, SPHERICAL, RT
11....	539 110607	4...	BALL STUD	29....	539 110604	2...	ROD END, SPHERICAL, LT
12....	539 110811	2...	DAMPENER ARM	30...	539 103264	2...	LINKAGE
13...	539 131623	1...	DRIVE LEVER, RIGHT	31...	539 991073	2...	NUT, $\frac{5}{16}$, JAM, LH
14...	539 131622	1...	DRIVE LEVER, LEFT	32...	539 990223	6...	NUT, $\frac{5}{16}$
15....	539 110943	4...	NUT, $\frac{5}{16}$, NYLOC	33...	539 131336	1...	DRIVE CONTROL, RIGHT
16....	539 111039	1...	COMPRESSION SPRING	34...	539 131337	1...	DRIVE CONTROL, LEFT
17...	539 976934	4...	HCS, $\frac{5}{16}$ -18 x $\frac{3}{4}$	35...	539 105069	8...	E-RING, $\frac{5}{8}$
18...	539 976952	2...	SCREW, #10-24 x $\frac{5}{8}$, COMBO	36...	539 990820	12...	NUT, $\frac{3}{4}$ -16, CENTERLOCK

PARKING BRAKE

TE MODELS: 968999703, 968999704

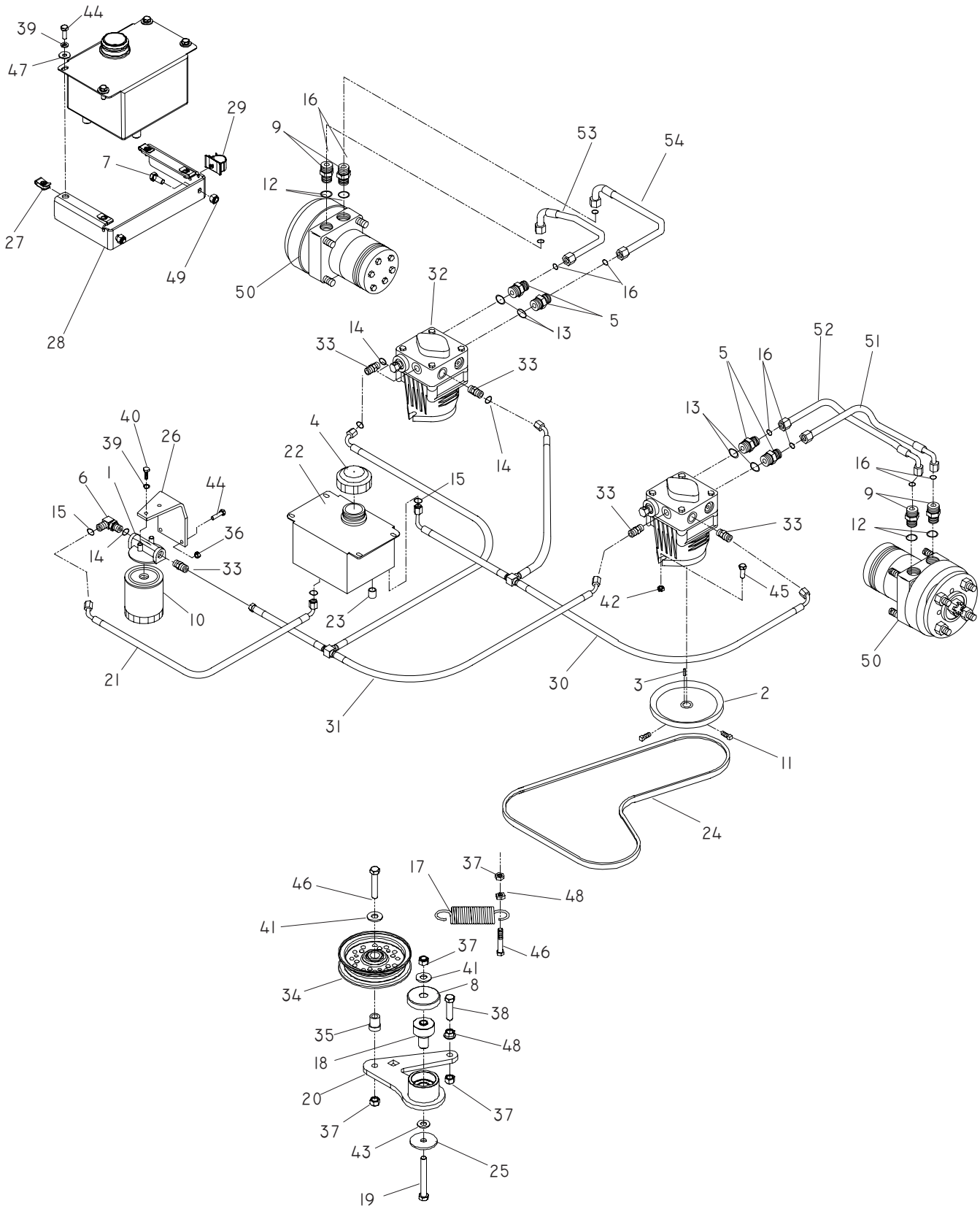


PARKING BRAKE

TE MODELS: 968999703, 968999704

ITEM	PART NO.	QTY.	DESCRIPTION	ITEM	PART NO.	QTY.	DESCRIPTION
1...	539 101109	... 2...	HUB	18...	539 923787	... 1 ...	MACHINE BUSHING
2....	539 101151	... 1 ...	$\frac{7}{8}$ RETAINING RING	19...	539 976978	... 2 ...	$\frac{1}{4}$ C NYLOC NUT
3....	539 101173	... 8...	LUG NUT	20...	539 976979	... 5 ...	NYLOC NUT $\frac{3}{8}$ C
4...	539 101331	. 16...	NYLOC $\frac{1}{2}$ C NUT	21...	539 977465	... 2 ...	YOKE $\frac{3}{8}$ F
5...	539 101332	... 8...	HCS $\frac{1}{2}$ C x $2\frac{3}{4}$	22...	539 977703	... 2 ...	$\frac{3}{8}$ x $1\frac{1}{8}$ CLEVIS PIN
6...	539 102797	... 2...	FLANGE BEARING	23...	539 990155	... 1 ...	NUT $\frac{3}{8}$ F
7...	539 105029	... 1 ...	BRACKET	24...	539 990297	... 2 ...	COTTER PIN
8...	539 105036	... 1 ...	GRIP	25...	539 990365	... 2 ...	COTTER PIN
9...	539 107432	... 2...	TIRE	26...	539 990563	... 4 ...	HCS $\frac{3}{8}$ C x 1
10...	539 108554	... 2...	MOTOR STANDOFF	27...	539 990580	... 2 ...	HCS $\frac{1}{4}$ C x $\frac{3}{4}$
11 ...	539 108614	... 2...	TIRE(COMPLETE)	28...	539 990613	... 1 ...	WHIZ NUT $\frac{3}{8}$ C
12...	539 108616	... 1...	BRAKE LEVER WLDMT	29...	539 990637	... 1 ...	HCS $\frac{3}{8}$ C x $2\frac{1}{2}$
13...	539 108619	... 1 ...	BUSHING	30...	539 103527	... 2 ...	WHEEL MOTOR
14...	539 108621	... 1 ...	BRAKE CROSS SHAFT	31...	539 105278	... 2 ...	KEY WOODRUFF
15...	539 108637	... 1 ...	LINKAGE	32...	539 105277	... 2 ...	CASTLE NUT
16...	539 109344	... 2...	RIM	33....	539 101173	... 8...	NUT HUB
17...	539 912234	... 2...	VALVE STEM	34...	539 990622	... 4 ...	HCS $\frac{1}{2}$ C x $1\frac{1}{4}$

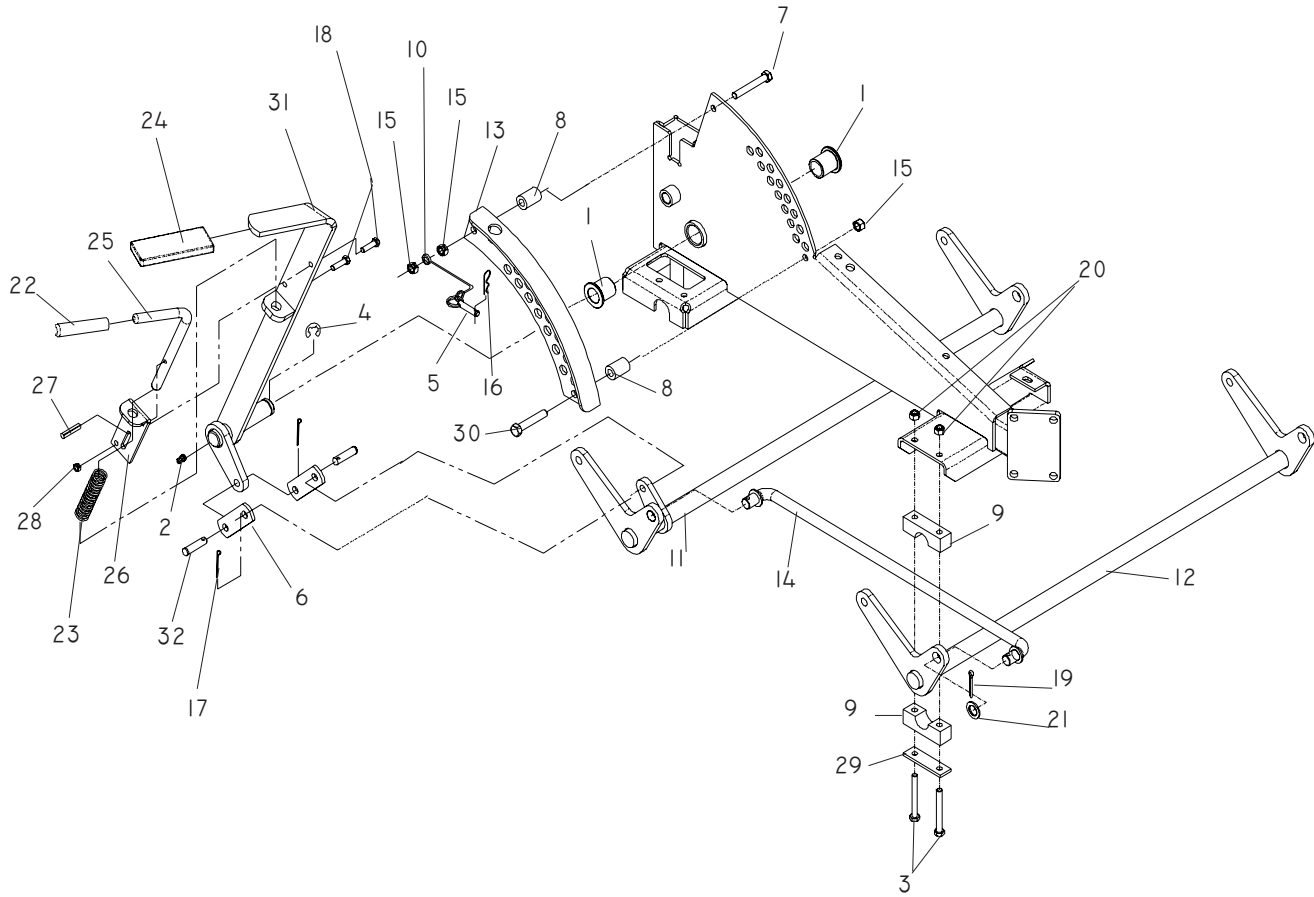
HYDRAULIC PUMP - MOTOR



HYDRAULIC PUMP - MOTOR

ITEM	PART NO.	QTY.	DESCRIPTION	ITEM	PART NO.	QTY.	DESCRIPTION
1	539 101165	1	FILTER HEAD	31	539 132314	1	"T" ASSEMBLY
2	539 101176	2	PULLEY	32	539 132144	2	10CC PUMP W/RTN'S
3	539 101177	2	KEY, 5MM SQ x 30MM	33	539 113782	5	HYDRAULIC FITTING
4	539 101202	1	CAP-HYDRO RESERVOIR	34	539 976688	1	PULLEY, IDLER
5	539 101237	4	FITTING, F6400-8-8-0	35	539 976695	1	BUSHING, FLANGE IDLER
6	539 101238	1	FITTING, F6801-6-6-0	36	539 976978	4	NUT, 1/4 -20, NYLOC
7	539 976934	2	HCS, 5/16C X 3/4	37	539 976979	5	NUT, 3/8 -16, NYLOC
8	539 114662	1	SHIELD, DUST, 1/2" ID	38	539 990655	1	HCS, 3/8 -16 X 1 1/2, GR5
9	539 102396	4	STRAIGHT FITTING	39	539 990052	6	LOCKWASHER, 1/4
10	539 102606	1	FILTER ELEMENT	40	539 990072	2	HCS, 1/4 -20 x 5/8
11	539 102717	4	SCREW, 5/16 -18 x 5/8	41	539 990517	2	WASHER, 3/8
12	539 103115	4	"O" RING, 3/4	42	539 990546	5	NUT, 3/8 -16, CENTERLOCK
13	539 103116	4	"O" RING, 1/2	43	539 990122	1	WASHER, 3/8, SAE
14	539 103117	6	"O" RING, 3/8	44	539 990580	8	HCS, 1/4 -20 x 3/4
15	539 103118	8	"O" RING FLARE, 3/8	45	539 990582	4	HCS, 3/8 -16 x 1, WHIZLK
16	539 103119	8	"O" RING FLARE, 1/2	46	539 990588	2	HCS, 3/8 -16 x 2
17	539 103256	1	SPRING, EXTENSION	47	539 990598	8	WASHER, 1/4
18	539 130205	1	PIVOT, BEARING	48	539 990613	2	NUT, 3/8 -16, WHIZLK
19	539 101341	1	HCS, 3/8 -16 X 3, GR5	49	539 990717	4	NUT, 5/16, NYLOC
20	539 130392	1	IDLER ARM	50	539 110823	2	WHEEL MOTOR MODELS 968999672, 968999705, 968999706, 968999707, 968999708
21	539 132313	1	HOSE	...	539 103527	2	WHEEL MOTOR MODELS 968999703, 968999704
22	539 105024	1	OIL TANK	51	539 132310	1	HYDRAULIC LINE
23	539 105168	1	CAP	52	539 132309	1	HYDRAULIC LINE
24	539 106887	1	PUMP BELT	53	539 132311	1	HYDRAULIC LINE
25	539 111897	1	WASHER, 3/8 SPEC	54	539 132312	1	HYDRAULIC LINE
26	539 106933	1	OIL FILTER BRACKET				
27	539 110813	4	"U" TYPE RETAINER				
28	539 110814	1	TANK MOUNT				
29	539 110815	1	WIRE CLIP				
30	539 132315	1	"T" ASSEMBLY				

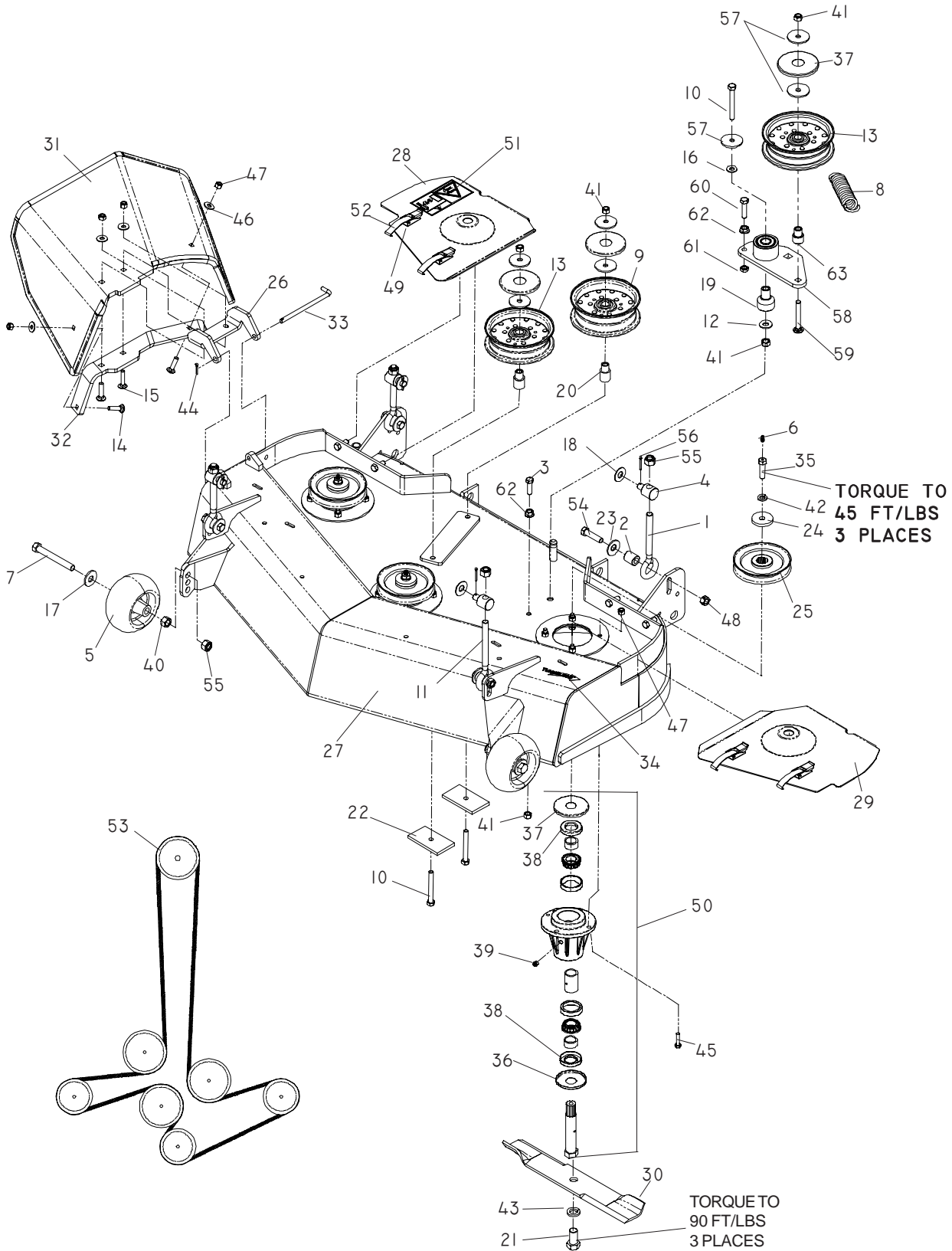
MOWER LIFT / DECK LIFT



MOWER LIFT / DECK LIFT

ITEM	PART NO.	QTY.	DESCRIPTION	ITEM	PART NO.	QTY.	DESCRIPTION
1...	539 101232	... 2...	BUSHING	17...	539 990365	... 5...	PIN COTTER
2...	539 101474	... 2...	ZERK	18...	539 990580	... 2...	HCS, ¼ -20 x ¾
3...	539 101721	... 8...	HCS, 5/16 -18 x 2¾	19...	539 990654	... 4...	PIN COTTER, 5/32 x 1¼
4...	539 101802	... 1...	RING-E, 7/8	20...	539 990717	... 4...	NUT, 5/16 -18, NYLOC
5...	539 102526	... 1...	PIN LIFT, ½ x 2, W/RINGS	21...	539 991043	... 4...	BUSHING
6...	539 102565	... 2...	LINKAGE	22...	539 101050	... 1...	GRIP, VINYL
7...	539 102612	... 1...	HCS, 3/8 -16 x 2¾	23...	539 101058	... 1...	SPRING, COMPRESSION
8...	539 104530	... 2...	SPACER	24...	539 102515	... 1...	GRIP, LIFT LEVER
9...	539 104808	... 8...	BLOCK-PILLOW	25...	539 103533	... 1...	PIN, ½ x 6.69 "L"
10...	539 105059	... 1...	LANYARD	26...	539 103534	... 1...	PIN MT
11...	539 109955	... 1...	REAR LIFT SHAFT	27...	539 106532	... 1...	PIN GROOVED, 3/16 x 1¼
12...	539 109956	... 1...	FRONT LIFT SHAFT	28...	539 990761	... 2...	NUT, ¼ -20, CENTERLOCK
13....	539 110803	... 1...	ADJUSTMENT PLATE	29...	539 104807	... 4...	REINFORCED BAR
14....	539 110808	... 2...	CROSS LINK	30...	539 990637	... 1...	HCS, 3/8 -16 x 2½
15...	539 976979	... 4...	NUT, 3/8 -16, NYLOC	31...	539 109961	... 1...	LIFT LEVER
16...	539 976989	... 1...	PIN HAIR, .120 x 2½	32...	539 977703	... 2...	PIN CLEVIS, 3/8 x 1½

42" CUTTING DECK



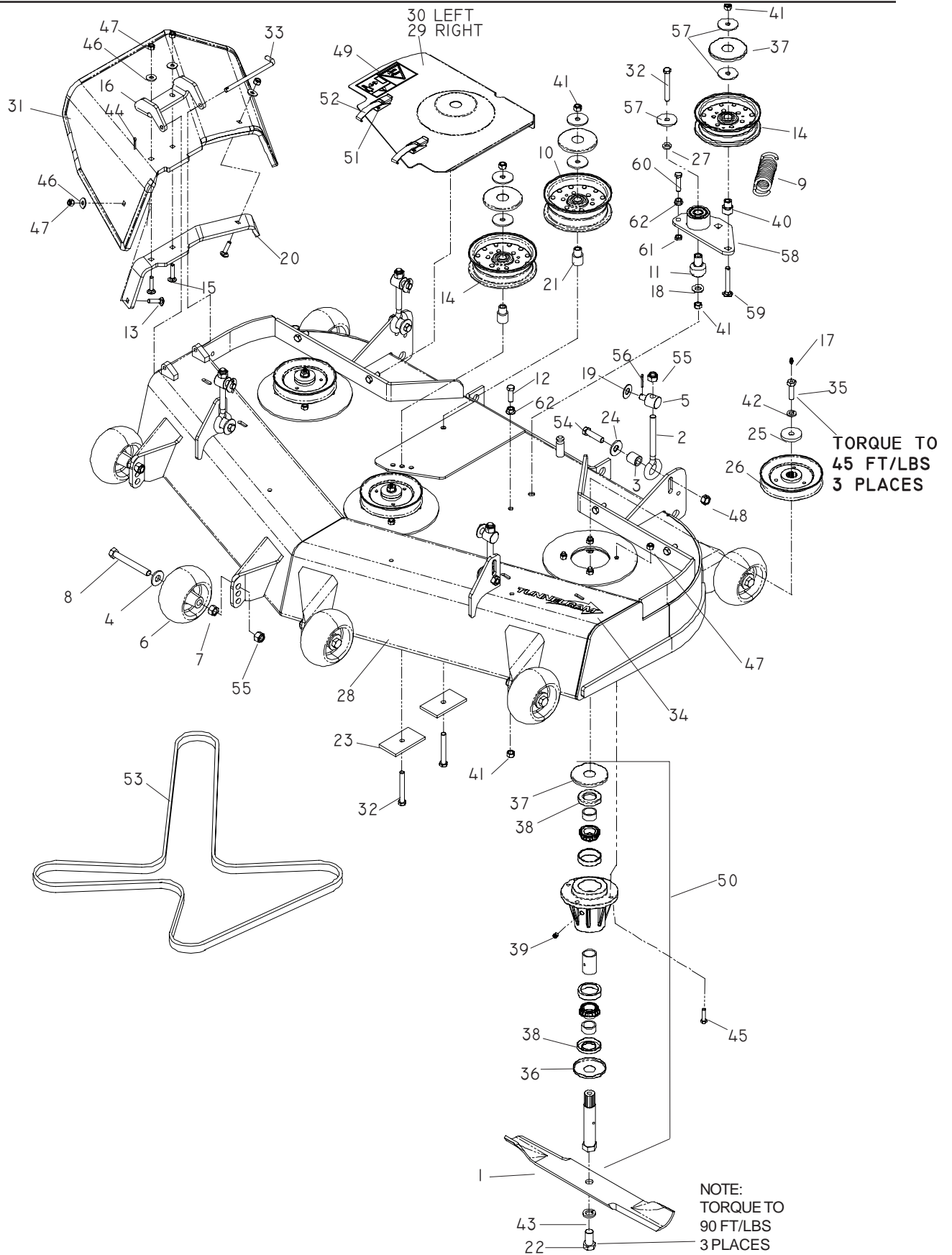
42" CUTTING DECK

ITEM	PART NO.	QTY.	DESCRIPTION	ITEM	PART NO.	QTY.	DESCRIPTION
1	539 119227	2	EYE BOLT	33	539 131813	1	PIN, CHUTE PIVOT
2	539 114404	4	SPACER	34	539 111560	1	DECAL, TUNNEL
3	539 976941	1	HCS, 3/8 -16 X 1 1/4, GR5	35	539 112120	3	HCS, 7/16 -20 x 1 1/2, GR8
4	539 114405	4	SWIVEL	36	539 108449	1	BOTTOM DUST CAP
5	539 107610	2	ROLLER, ANTI SCALP	37	539 108450	6	TOP DUST CAP
6	539 976998	3	ZERK	38	539 108754	2	SHAFT SEAL
7	539 108366	2	HHB, 1/2 -13 X 4	39	539 977326	1	GREASE POPET
8	539 103256	1	SPRING, EXTENSION	40	539 990258	2	NUT, 1/2 -13
9	539 103258	1	PULLEY, IDLER	41	539 976979	5	NUT, 3/8 -16, NYLOC
10	539 101341	3	HCS, 3/8-16 x 3	42	539 990247	3	LOCKWASHER, 7/16
11	539 114698	2	EYE BOLT, 1/2 -13	43	539 990333	3	LOCKWASHER, 5/8
12	539 990517	1	WASHER, 3/8	44	539 990365	1	PIN COTTER, 1/8 X 3/4
13	539 103257	2	PULLEY, IDLER	45	539 990627	12	HCS, 5/16 -18 x 1 1/4
14	539 100472	2	RHSNB, 5/16 -18 X 1 1/4, GR5	46	539 990692	4	WASHER, 5/16
15	539 102933	2	RHSNB, 5/16 -18 X 1 1/2, GR5	47	539 990717	16	NUT, 5/16 -18, NYLOC
16	539 990122	1	WASHER, 3/8, SAE	48	539 990839	4	NUT, 7/16 -14, CNTRLCK, GRA
17	539 109554	2	WASHER, 1/2	49	539 110740	4	POP RIVET
18	539 990550	4	WASHER, 9/16	50	539 112934	3	SPINDLE ASSEMBLY
19	539 130205	1	PIVOT, BEARING	51	539 105746	1	DECAL, EURO SEVERING
20	539 103295	2	BUSHING, IDLER	52	539 109660	2	DRAW LATCH
21	539 103299	3	HCS, 5/8 -18 x 1 1/4	53	539 110832	1	DECK BELT
22	539 103303	2	PAD	54	539 108073	4	HCS, 7/16 -14 x 1 3/4
23	539 112484	4	SPRING WASHER, 1/2	55	539 101331	6	NUT, 1/2 -13, NYLOC
24	539 106504	3	WASHER, .469	56	539 109246	4	PIN, COTTER, 1/8 x 1
25	539 112141	3	PULLEY	57	539 111897	7	WASHER, 3/8, SPEC
26	539 130923	1	BRACKET, RUBBER CHUTE	58	539 130391	1	ARM, IDLER, W/BEARINGS
27	539 111375	1	DECK W/DECALS	59	539 130235	1	RHSNB, 3/8-16 x 2 3/4,
28	539 109663	1	BELT SHIELD, RIGHT	60	539 107042	1	HCS, 3/8-16 x 1 1/2, GR8
29	539 109664	1	BELT SHIELD, LEFT	61	539 109332	1	NUT, 3/8-16, JAM
30	539 109681	3	BLADE, 14 5/8"	62	539 990613	2	NUT, 3/8-16, WHIZLK
31	539 130778	1	DISCHARGE CHUTE	63	539 130242	1	BUSHING, IDLER
32	539 130925	1	BRACKET, REINFORCING				

48" CUTTING DECK

ITEM	PART NO.	QTY.	DESCRIPTION	ITEM	PART NO.	QTY.	DESCRIPTION
1...	539 100340	... 3...	BLADE, 16¼	32...	539 130925	... 1...	BRACKET, REINFORCEMENT
2....	539 114405	... 4...	SWIVEL	33...	539 131813	... 1...	PIN-CLEVIS, 5/16 DIA. X 5.19
3....	539 114404	... 4...	SPACER	34....	539 111812	... 1...	DECAL, TUNNEL RAM
4...	539 990122	... 1...	WASHER, 3/8, SAE	35....	539 112120	... 3...	HCS, 7/16 -20 X 1½, GR8
5....	539 119227	... 2...	EYE BOLT	36...	539 108449	... 3...	BOTTOM DUST CAP
6...	539 107610	... 3...	ROLLER, ANTI SCALP	37...	539 108450	... 6...	TOP DUST CAP
7...	539 976941	... 1...	HCS, 3/8 -16 X 1¼, GR5	38...	539 108754	... 2...	SHAFT SEAL
8...	539 108366	... 3...	HBB, ½ -13 X 4	39...	539 977326	... 1...	GREASE POPET
9...	539 103256	... 1...	SPRING, EXTENSION	40...	539 102933	... 2...	RHSNB, 5/16 -18 X 1½, GR5
10...	539 103258	... 1...	PULLEY, IDLER	41...	539 976979	... 5...	NUT, 3/8 -16, NYLOC
11...	539 130205	... 1...	PIVOT, BEARING	42...	539 990247	... 3...	LOCKWASHER, 7/16
12....	539 114698	... 2...	EYE BOLT, ½ -13 X 5.88	43...	539 990333	... 3...	LOCKWASHER, 5/8
13...	539 101341	... 1...	HCS, 3/8-16 X 3	44...	539 990365	... 1...	PIN COTTER, 1/8 X 3/4
14...	539 103257	... 1...	PULLEY, IDLER	45...	539 990627	. 12...	HCS, 5/16 -18 X 1¼
15...	539 130242	... 1...	BUSHING, IDLER	46...	539 100472	... 2...	RHSNB, 5/16 -18 X 1¼, GR5
16...	539 990258	... 3...	HBB, ½ -13	47...	539 990717	. 16...	NUT, 5/16 -18, NYLOC
17...	539 976998	... 1...	ZERK, STRAIGHT, ¼ -28	48...	539 990839	... 4...	NUT, 7/16 -14, CNTRLCK, GRA
18...	539 990692	... 4...	WASHER, 5/16	49...	539 105746	... 1...	DECAL, EURO SEVERING
19...	539 990550	... 2...	WASHER, 9/16	50....	539 112934	... 3...	SPINDLE ASSEMBLY
20...	539 990517	... 2...	WASHER, 3/8	51....	539 110740	... 4...	POP RIVET
21...	539 103295	... 2...	BUSHING, IDLER	52...	539 109660	... 2...	DRAW LATCH
22...	539 103299	... 3...	HCS, 5/8 -18 X 1¼	53....	539 111949	... 1...	DECK BELT
23...	539 103303	... 2...	PAD	54...	539 108073	... 4...	HCS, 7/16 -14 X 1¾
24....	539 112484	... 4...	SPRING WASHER, ½	55...	539 101331	... 7...	NUT, ½ -13, NYLOC
25...	539 106504	... 3...	WASHER, .469	56...	539 109246	... 4...	PIN COTTER, 1/8 X 1
26....	539 112141	... 3...	PULLEY	57....	539 111897	... 3...	WASHER, 3/8, SPEC
27...	539 130923	... 1...	BRACKET, RUBBER CHUTE	58...	539 130391	... 1...	ARM, IDLER, W/BEARINGS
28....	539 111376	... 1...	DECK W/DECALS	59...	539 130235	... 1...	RHSNB, 3/8-16 X 2¾,
29...	539 108686	... 1...	BELT SHIELD, RIGHT	60...	539 107042	... 1...	HCS, 3/8-16 X 1½, GR8
30...	539 108687	... 1...	BELT SHIELD, LEFT	61...	539 109332	... 1...	NUT, 3/8-16, JAM
31...	539 130778	... 1...	DISCHARGE CHUTE	62...	539 990613	... 1...	NUT, 3/8-16, WHIZLK

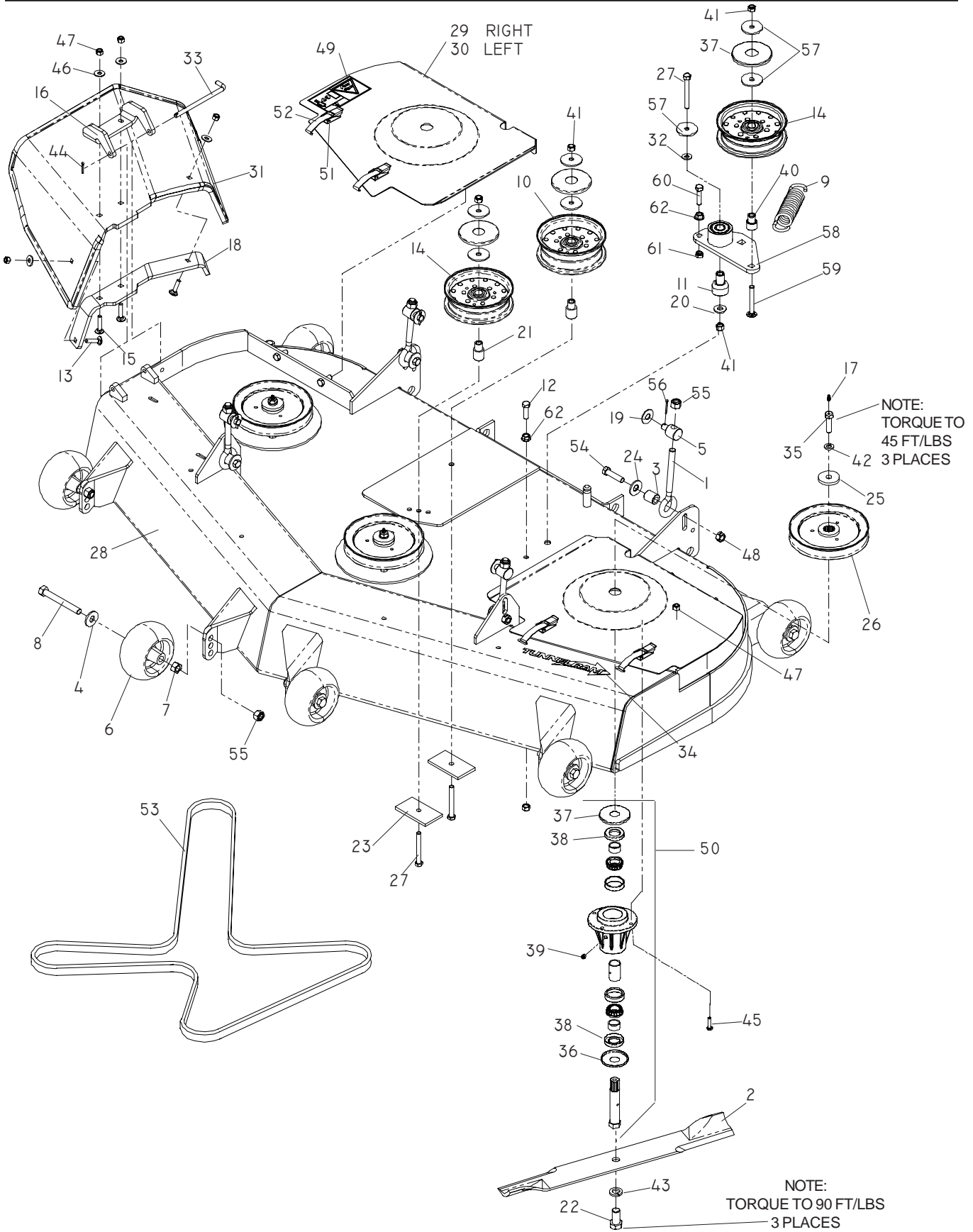
52" CUTTING DECK



52" CUTTING DECK

ITEM	PART NO.	QTY.	DESCRIPTION	ITEM	PART NO.	QTY.	DESCRIPTION
1...	539 100341	3...	BLADE, 18"	32...	539 101341	3...	HCS, 3/8-16 x 3
2....	539 119227	4...	EYE BOLT	33...	539 131813	1...	PIN, CHUTE PIVOT
3....	539 114404	4...	SPACER	34....	539 111561	1...	DECAL, TUNNEL RAM
4...	539 109554	6...	WASHER, 1/2	35....	539 112120	3...	HCS, 7/16 -20 x 1 1/2, GR8
5....	539 114405	4...	SWIVEL	36...	539 108449	1...	BOTTOM DUST CAP
6...	539 107610	6...	ROLLER, ANTI SCALP	37...	539 108450	4...	TOP DUST CAP
7...	539 990258	6...	NUT, 1/2 - 13	38...	539 108754	2...	SHAFT SEAL
8...	539 108366	3...	HCB, 1/2 -13 X 4	39...	539 977326	1...	GREASE POPPET
9...	539 105192	1...	SPRING, EXTENSION	40...	539 130242	1...	BUSHING, IDLER
10...	539 103258	1...	PULLEY, IDLER	41...	539 976979	5...	NUT, 3/8 -16, NYLOC
11...	539 130205	1...	PIVOT, BEARING	42...	539 990247	3...	LOCKWASHER, 7/16
12...	539 976941	1...	HCS, 3/8 - 16 X 1 1/4, GR5	43...	539 990333	3...	LOCKWASHER, 5/8
13...	539 100472	2...	RHSNB, 5/16 -18 X 1 1/4, GR5	44...	539 990365	1...	PIN COTTER, 1/8 x 3/4
14...	539 103257	2...	PULLEY, IDLER	45...	539 990627	12...	HCS, 5/16 -18 x 1 1/4
15...	539 102933	2...	RHSNB, 5/16 -18 X 1 1/2, GR5	46...	539 990692	4...	WASHER, 5/16
16...	539 130923	1...	BRACKET, RUBBER CHUTE	47...	539 990717	16...	NUT, 5/16 -18, NYLOC
17...	539 976998	3...	ZERK, STRAIGHT, 1/4 -28	48...	539 990839	4...	NUT, 7/16 -14, CNTRLCK, GRA
18...	539 990517	1...	WASHER, 3/8	49...	539 105746	1...	DECAL, EURO SEVERING
19...	539 990550	4...	WASHER, 9/16	50....	539 112934	3...	SPINDLE ASSEMBLY
20...	539 130925	1...	BRACKET, REINFORCEMENT	51....	539 110740	4...	POP RIVET
21...	539 103295	2...	BUSHING, IDLER	52...	539 109660	2...	DRAW LATCH
22...	539 103299	3...	HCS, 5/8 -18 x 1 1/4	53...	539 106884	1...	DECK BELT
23...	539 103303	2...	PAD	54...	539 108073	4...	HCS, 7/16 -14 x 1 3/4
24....	539 112484	4...	SPRING WASHER, 1/2	55...	539 101331	10...	NUT, 1/2 -13, NYLOC
25...	539 106504	3...	WASHER, .469	56...	539 109246	4...	PIN, COTTER, 1/8 x 1
26....	539 112124	3...	PULLEY	57....	539 111897	7...	WASHER, 3/8, SPEC
27...	539 990122	1...	WASHER, 3/8, SAE	58...	539 130391	1...	ARM, IDLER, W/BEARINGS
28....	539 111377	1...	DECK W/DECALS	59...	539 130235	1...	RHSNB, 3/8-16 x 2 3/4
29...	539 109652	1...	BELT SHIELD, RIGHT	60...	539 107042	1...	HCS, 3/8-16 x 1 1/2, GR8
30...	539 109653	1...	BELT SHIELD, LEFT	61...	539 109332	1...	NUT, 3/8-16, JAM
31...	539 130779	1...	DISCHARGE CHUTE	62...	539 990613	2...	NUT, 3/8-16, WHIZLK

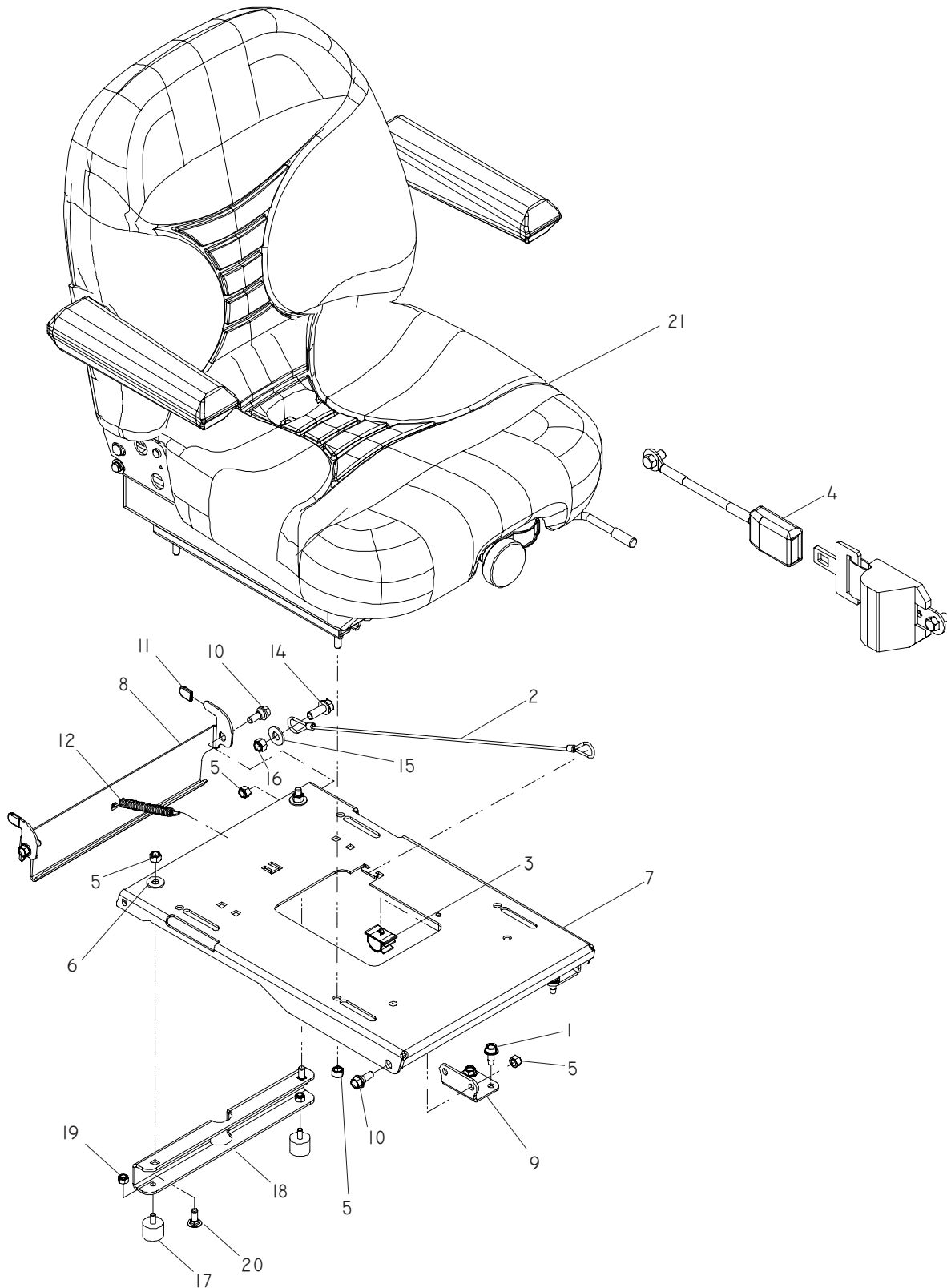
61" CUTTING DECK



61" CUTTING DECK

ITEM	PART NO.	QTY.	DESCRIPTION	ITEM	PART NO.	QTY.	DESCRIPTION
1....	539 119227	... 4...	EYEBOLT	32...	539 990122	... 1 ...	WASHER, $\frac{3}{8}$, SAE
2...	539 101733	... 3...	BLADE, 21"	33...	539 131813	... 1 ...	PIN, CHUTE PIVOT
3....	539 114404	... 4...	SPACER	34....	539 111561	... 1 ...	DECAL, TUNNEL RAM
4...	539 109554	... 6...	WASHER, $\frac{1}{2}$	35....	539 112120	... 3...	HCS, $\frac{7}{16}$ -20 x $1\frac{1}{2}$, GR8,SPEC
5....	539 114405	... 4...	SWIVEL	36...	539 108449	... 1 ...	BOTTOM DUST CAP
6...	539 107610	... 6...	ROLLER, ANTI SCALP	37...	539 108450	... 3...	TOP DUST CAP
7...	539 990258	... 6...	NUT, $\frac{1}{2}$ -13	38...	539 108754	... 2...	SHAFT SEAL
8...	539 108366	... 3...	HCB, $\frac{1}{2}$ -13 X 4	39...	539 977326	... 1 ...	GREASE POPET
9...	539 105192	... 1...	SPRING, EXTENSION	40...	539 130242	... 1 ...	BUSHING, IDLER
10...	539 103258	... 1 ...	PULLEY, IDLER	41...	539 976979	... 3...	NUT, $\frac{3}{8}$ -16, NYLOC
11 ...	539 130205	... 1 ...	PIVOT, BEARING	42...	539 990247	... 3...	LOCKWASHER, $\frac{7}{16}$
12...	539 976941	... 1...	HCS, $\frac{3}{8}$ -16 X $1\frac{1}{4}$, GR5	43...	539 990333	... 3...	LOCKWASHER, $\frac{5}{8}$
13...	539 100472	... 2...	RHSNB, $\frac{5}{16}$ -18 X $1\frac{1}{4}$, GR5	44...	539 990365	... 1 ...	PIN COTTER, $\frac{1}{8}$ X $\frac{3}{4}$
14...	539 103257	... 2...	PULLEY, IDLER	45...	539 990627	. 12...	HCS, $\frac{5}{16}$ -18 x $1\frac{1}{4}$
15...	539 102933	... 2...	RHSNB, $\frac{5}{16}$ -18 X $1\frac{1}{2}$, GR5	46...	539 990692	... 4...	WASHER, $\frac{5}{16}$
16...	539 130923	... 1...	BRACKET, RUBBER CHUTE	47...	539 990717	. 16...	NUT, $\frac{5}{16}$ -18, NYLOC
17...	539 976998	... 3...	ZERK, STRAIGHT, $\frac{1}{4}$ -28	48...	539 990839	... 4...	NUT, $\frac{7}{16}$ -14, CNTRLCK,GRA
18...	539 130925	... 1...	BRACKET, REINFORCEMENT	49...	539 105746	... 1 ...	DECAL, EURO SEVERING
19...	539 990550	... 4...	WASHER, $\frac{9}{16}$	50....	539 112934	... 3...	SPINDLE ASSEMBLY
20...	539 990517	... 1 ...	WASHER, $\frac{3}{8}$	51....	539 110740	... 4...	POP RIVET
21 ...	539 103295	... 2...	BUSHING, IDLER	52...	539 109660	... 2...	DRAW LATCH
22...	539 103299	... 3...	HCS, $\frac{5}{8}$ -18 x $1\frac{1}{4}$	53...	539 108656	... 1 ...	DECK BELT
23...	539 103303	... 2...	PAD	54...	539 108073	... 4...	HCS, $\frac{7}{16}$ -14 x $1\frac{3}{4}$
24....	539 112484	... 4...	SPRING WASHER, $\frac{1}{2}$	55...	539 101331	. 10...	NUT, $\frac{1}{2}$ -13, NYLOC
25...	539 106504	... 3...	WASHER, .469	56...	539 109246	... 4...	PIN COTTER, $\frac{1}{8}$ x 1
26....	539 112125	... 3...	PULLEY	57....	539 111897	... 4...	WASHER, $\frac{3}{8}$, SPEC
27...	539 101341	... 2...	HCS, $\frac{3}{8}$ -16 x 3	58...	539 130391	... 1 ...	ARM, IDLER, W/BEARINGS
28....	539 111378	... 1 ...	DECK W/DECALS	59...	539 130235	... 1 ...	RHSNB, $\frac{3}{8}$ -16 x $2\frac{3}{4}$,
29...	539 109493	... 1 ...	BELT SHIELD, RIGHT	60...	539 107042	... 1 ...	HCS, $\frac{3}{8}$ -16 x $1\frac{1}{2}$, GR8
30...	539 109494	... 1 ...	BELT SHIELD, LEFT	61...	539 109332	... 1 ...	NUT, $\frac{3}{8}$ -16, JAM
31 ...	539 130779	... 1 ...	DISCHARGE CHUTE	62...	539 990613	... 1 ...	NUT, $\frac{3}{8}$ -16, WHIZLK

SEAT



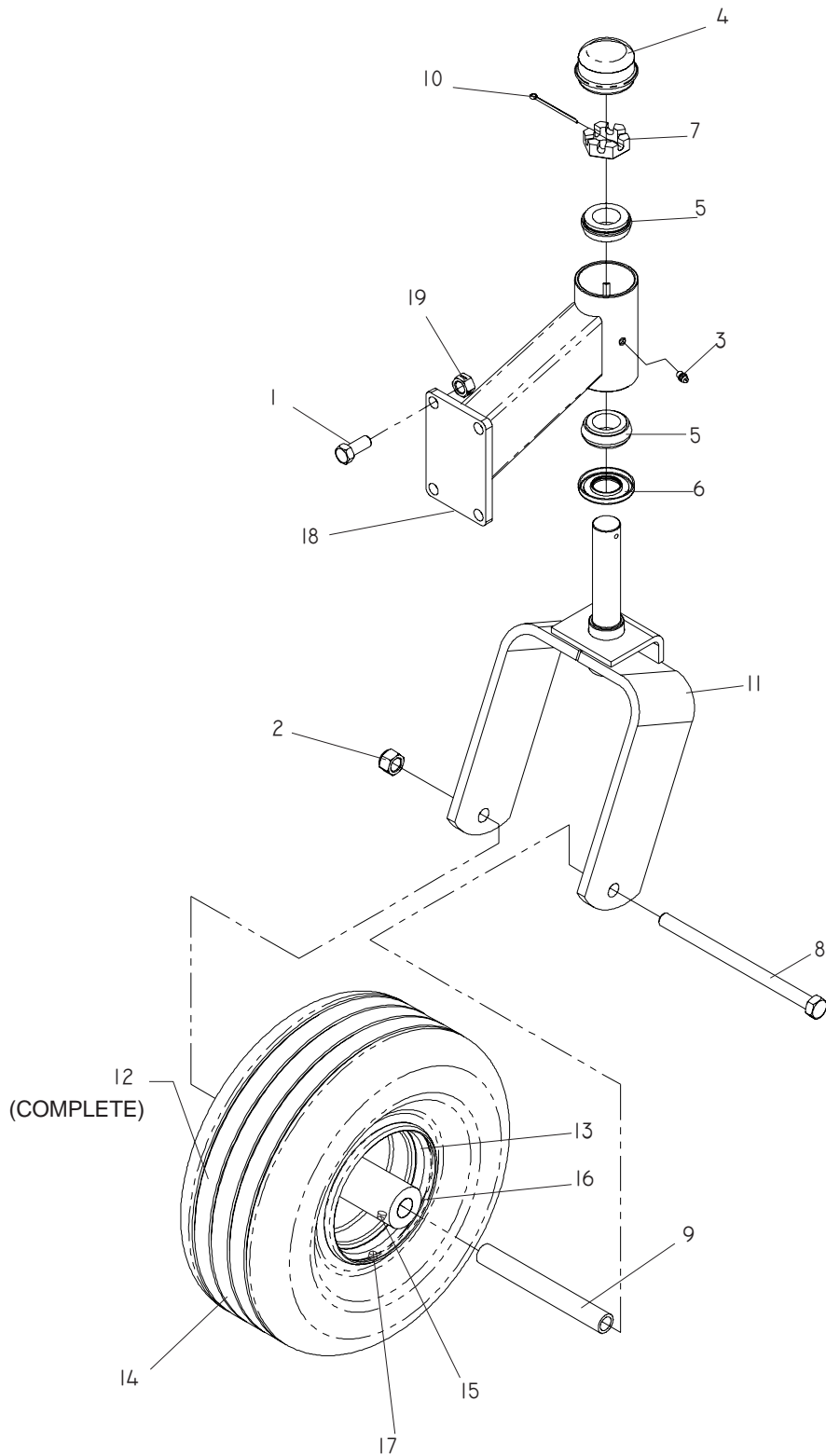
SEAT

ITEM	PART NO.	QTY.	DESCRIPTION	ITEM	PART NO.	QTY.	DESCRIPTION
1 ...	539 107475	4 ...	BOLT ⁵ / ₁₆ -18 x ³ / ₄ THRD FRM	14 ...	539 990582	1 ...	HCS ³ / ₈ -16 X 1 WHIZLK ZD
2 ...	539 103247	1 ...	LANYARD, SEAT	15 ...	539 990517	1 ...	WASHER, ³ / ₈ FLAT STD ZD
3 ...	539 110815	1 ...	PUSH-MOUNT WIRE CLIP	16 ...	539 976979	1 ...	NUT ³ / ₈ -16 HEX NYLOC ZD
4 ...	539 130359	1 ...	SEAT BELT, RETRACTABLE	17 ...	539 105039	2 ...	STUD PLATE MOUNT
5 ...	539 990717	6 ...	NUT ⁵ / ₁₆ -18 HEX NYLOC	18 ...	539 132332	1 ...	STANDOFF, SEAT PAN
6 ...	539 990692	2 ...	WASHER, ⁵ / ₁₆ STD FLT	19 ...	539 976978	2 ...	NUT ¹ / ₄ -20 HEX NYLOC ZD
7 ...	539 130785	1 ...	PAN, SEAT	20 ...	539 990316	2 ...	RHSNB ⁵ / ₁₆ -18 x ³ / ₄ ZD
8 ...	539 130787	1 ...	LATCH, SEAT	21 ...	539 132203	1 ...	SEAT
9 ...	539 130789	2 ...	PIVOT, SEAT PAN				or units produced after Serial No. 0745xxxxx1
10 ...	539 130896	4 ...	BOLT ⁵ / ₁₆ -18 HEX HD	... 539 130874	1 ...	SEAT	for units produced before Serial No. 0745xxxxx
11 ...	539 130898	2 ...	GRIP, VINYL				
12 ...	539 977250	1 ...	SPRING				
13 ...	539 990209	2 ...	HCS ⁵ / ₁₆ -18 x 1				

NOT SHOWN: Seat Switch Pigtail, 539 104392 with N/O (Normally Open) Switch, IZ before S/N 074841364 (01/25/08)

NOT SHOWN: Seat Switch Pigtail, 539 130872 with N/C (Normally Closed) Switch, IZ after s/n 074841364 (01/25/08)

CASTERS

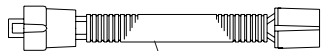
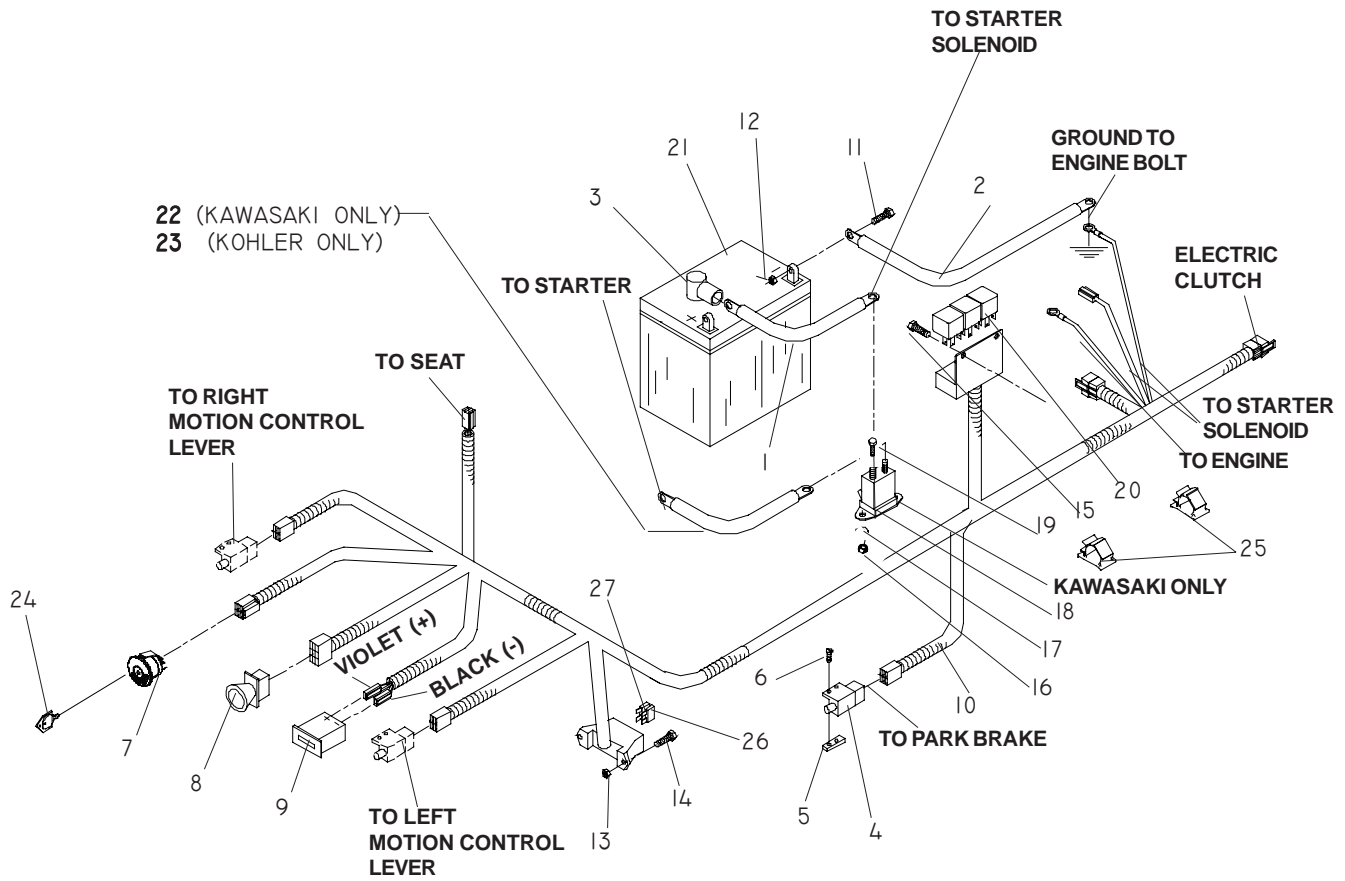


CASTERS

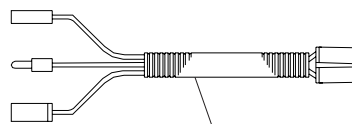
ITEM	PART NO.	QTY.	DESCRIPTION	ITEM	PART NO.	QTY.	DESCRIPTION
1...	539 100143	4...	HCS, $\frac{7}{16}$ -14 X 1	13...	539 104573	1...	RIM
2...	539 101331	1...	NUT, $\frac{1}{2}$ -13, NYLOC	14...	539 102546	1...	TIRE
3...	539 101474	1...	ZERK	15...	539 976997	1...	ZERK
4...	539 102535	1...	CAP GREASE	16...	539 102484	2...	END CAPS
5...	539 102543	2...	BEARING, TAPERED	17...	539 912234	1...	VALVE STEM
6...	539 102851	1...	SEAL	18...	539 106986	1...	CASTER ARM
7...	539 102852	1...	NUT, 1-14, JAM, SPEC	...	539 108331	1...	CASTER ARM MODEL 968999708
8...	539 102855	1...	HCS, $\frac{1}{2}$ -13 X $7\frac{1}{2}$	19...	539 990839	4...	NUT, $\frac{7}{16}$ -14, CNTRLCK, GRA
9...	539 102856	1...	SPACER	NOT SHOWN			
10...	539 102889	1...	PIN COTTER, $\frac{1}{8}$ X 2	...	539 102485	2...	ROLLER BEARING, $2\frac{1}{2}$ "
11...	539 104571	1...	CASTER YOKE				
12...	539 104572	1...	TIRE, COMPLETE				

ELECTRICAL

For Units Produced before Serial No. 0745xxxxx1



28 (KOHLER ONLY)



29 (KAWASAKI ONLY)

ELECTRICAL

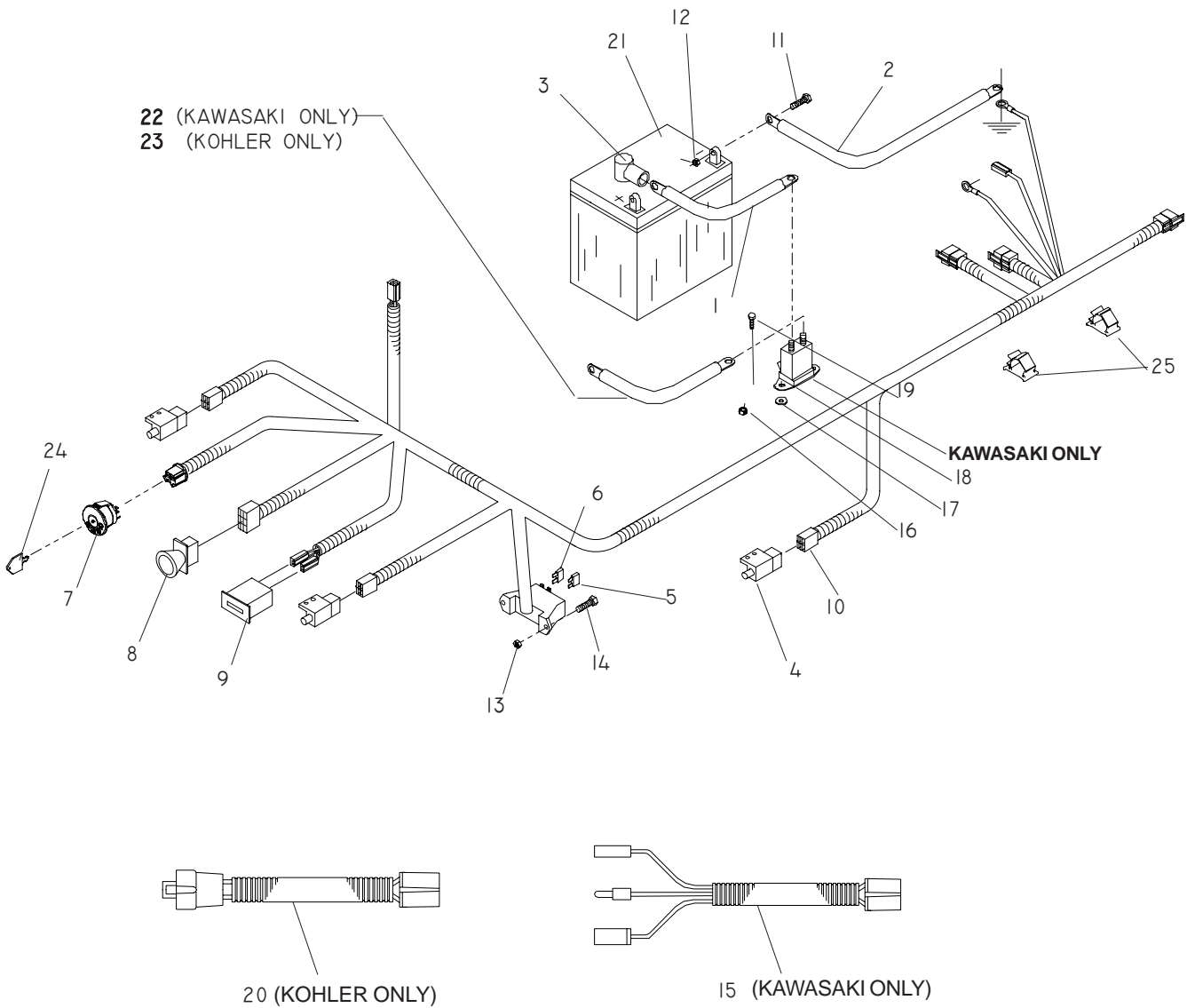
For Units Produced before Serial No. 0745xxxxx1

ITEM	PART NO.	QTY.	DESCRIPTION	ITEM	PART NO.	QTY.	DESCRIPTION
1...	539 103306	... 1...	POSITIVE CABLE	17...	539 990053	... 2...	LOCKWASHER, ¼
2...	539 102758	... 1...	NEGATIVE CABLE	18...	539 101714	... 1...	SOLENOID KAWASAKI ONLY
3...	539 102759	... 2...	INSULATOR	19...	539 990072	... 2...	HCS, ¼C x 5/8
4...	539 101080	... 1...	INTERLOCK SWITCH	20...	539 102914	... 3...	RELAY
5...	539 102678	... 1...	TAPPED PLATE	21...	539 102436	... 1...	BATTERY, DRY
6...	539 976952	... 2...	SCREW, #10-24 x 5/8	22...	539 104974	... 1...	CABLE POSITIVE, KAWASAKI ONLY
7...	539 107541	... 1...	IGNITION SWITCH	23...	539 102757	... 1...	CABLE POSITIVE, KOHLER ONLY
8...	539 131627	... 1...	BLADE SWITCH	24...	539 107544	... 1...	KEY, PADDED
9...	539 110074	... 1...	HOUR METER	25...	539 110815	... 2...	PUSH MOUNT WIRE CLIP
10...	539 110950	... 1...	FRAME HARNESS	26...	539 101771	... 1...	FUSE, 7.5 AMP, 32 VOLT, ATO
11...	539 976934	... 2...	HCS, 5/16C x 3/4	27...	539 102086	... 1...	FUSE, 20 AMP, 32 VOLT, ATO
12...	539 990717	... 2...	NUT, 5/16C, NYLOC	28...	539 104416	... 1...	PIGTAIL, KOHLER ONLY
13...	539 976977	... 2...	NUT, #10-24, NYLOC	29...	539 104415	... 1...	PIGTAIL, KAWASAKI ONLY
14...	539 102617	... 2...	SCREW, #10-24 x 7/8				
15...	539 991034	... 2...	SCREW, #10-24 x 5/8, WSH HD				
16...	539 990372	... 5...	NUT, ¼C, CENTERLOCK				

NOT SHOWN: Seat Switch Pigtail, 539 104392 with N/O (Normally Open) Switch, IZ before S/N 074841364 (01/25/08)

ELECTRICAL

For Units Produced after Serial No. 0745xxxxx1



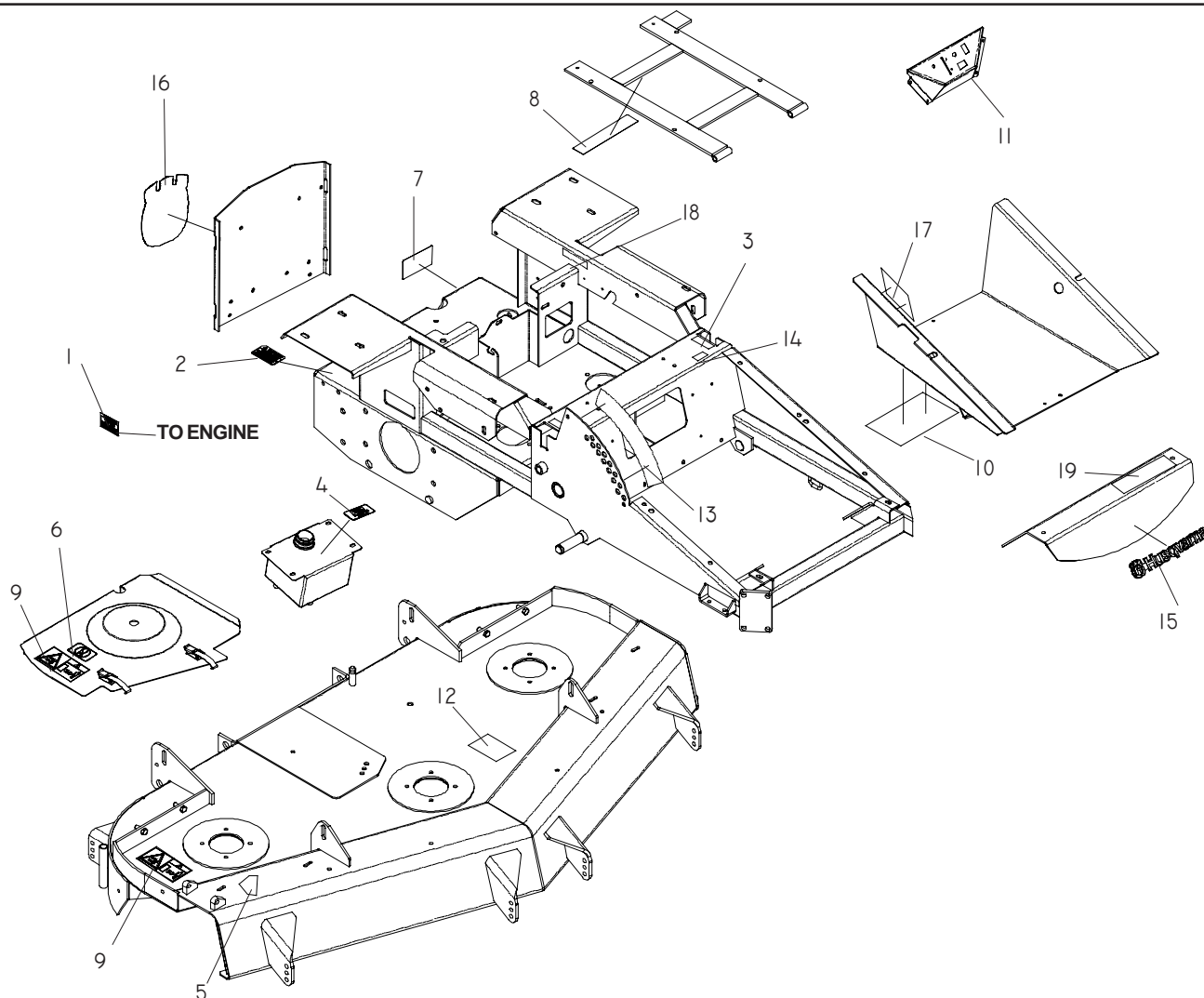
ELECTRICAL

For Units Produced after Serial No. 0745xxxxx1

ITEM	PART NO.	QTY.	DESCRIPTION	ITEM	PART NO.	QTY.	DESCRIPTION
1...	539 103306	... 1...	POSITIVE CABLE	15...	539 104415	... 1...	PIGTAIL, KAWASAKI ONLY
2...	539 102758	... 1...	NEGATIVE CABLE	16...	539 990372	... 5...	NUT, 1/4C, CENTERLOCK
3...	539 102759	... 2...	INSULATOR	17...	539 990053	... 2...	LOCKWASHER, 1/4
4....	539 113792	... 1...	INTERLOCK SWITCH	18...	539 101714	... 1...	SOLENOID KAWASAKI ONLY
5...	539 101771	... 1...	FUSE, 7.5 AMP, 32 VOLT, ATO	19...	539 990072	... 2...	HCS, 1/4C x 5/8
6...	539 102086	... 1...	FUSE, 20 AMP, 32 VOLT, ATO	20...	539 104416	... 1...	PIGTAIL, KOHLER ONLY
7...	539 107541	... 1...	IGNITION SWITCH	21...	539 102436	... 1...	BATTERY, DRY
8...	539 131627	... 1...	BLADE SWITCH	22...	539 104974	... 1...	CABLE POSITIVE, KAWASAKI ONLY
9....	539 110074	... 1...	HOUR METER	23...	539 102757	... 1...	CABLE POSITIVE, KOHLER ONLY
10....	539 110950	... 1...	FRAME HARNESS	24...	539 107544	... 1...	KEY, PADDED
11...	539 976934	... 2...	HCS, 5/16C x 3/4	25....	539 110815	... 2...	PUSH MOUNT WIRE CLIP
12...	539 990717	... 2...	NUT, 5/16C, NYLOC				
13...	539 976977	... 2...	NUT, #10-24, NYLOC				
14...	539 102617	... 2...	SCREW, #10-24 x 7/8				

NOT SHOWN: Seat Switch Pigtail, 539 130872 with N/C (Normally Closed) Switch, IZ after s/n 074841364 (01/25/08)

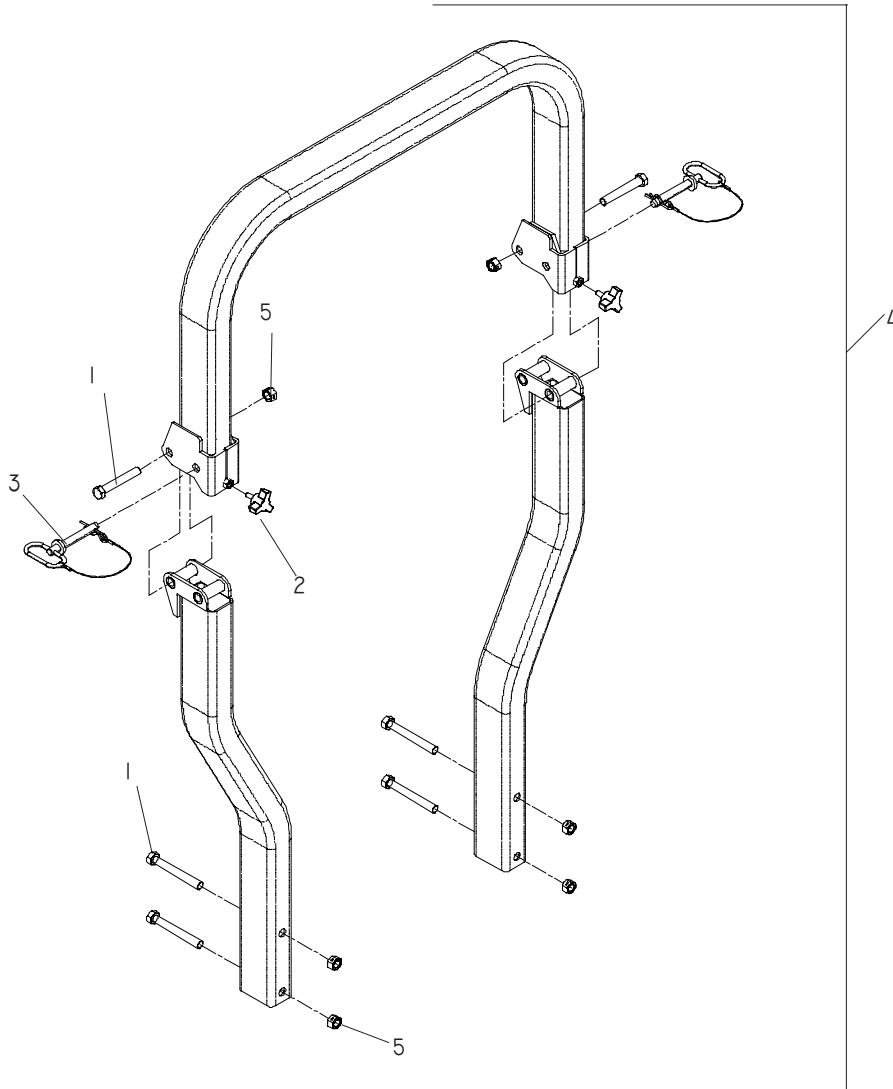
DECALS



ITEM	PART NO.	QTY.	DESCRIPTION	ITEM	PART NO.	QTY.	DESCRIPTION
1 ...	539 100128	... 1 ...	DECAL, EXHAUST	14	539 110974	... 1 ...	DECAL, H.S.T.
2 ...	539 101881	... 1 ...	DECAL, PROP 65	15	539 111047	... 1 ...	DECAL, HUSQVARNA
3 ...	539 103333	... 2 ...	DECAL, MOTION CONTROL	16	539 111055	... 1 ...	DECAL, CROWN
4	539 114832	... 1 ...	DECAL, OIL TANK	17	539 111575	... 1 ...	DECAL, WARNING
5 ...	539 913010	... 1 ...	DECAL, WARNING	18	539 111597	... 1 ...	DECAL, RELAYS
6 ...	539 105743	... 2 ...	DECAL, EURO NO STEP	19	539 111070	... 1 ...	DECAL, IZ4217
7 ...	539 105744	... 1 ...	DECAL, EURO DANGER, BLT	539 112675	... 1 ...	DECAL, IZ4819
8 ...	539 105745	... 1 ...	DECAL, EURO BATT WARNG	539 111058	... 1 ...	DECAL, IZ4821
9 ...	539 105746	... 2 ...	DECAL, EURO SEVERING	539 111064	... 1 ...	DECAL, IZ5223
10 ...	539 107289	... 1 ...	DECAL, SERVICE	539 112679	... 1 ...	DECAL, IZ6125
11	539 110956	... 1 ...	DECAL, CONSOLE	539 110258	... 1 ...	DECAL, IZ25
12	539 110967	... 1 ...	DECAL, BELT ROUTING	NOT SHOWN			
13	539 110973	... 1 ...	DECAL, HEIGHT ADJ	... 539 102670	... 1 ...	DECAL, FUEL VALVE	

PROTECTION FRAME

ROLLOVER PROTECTION SYSTEM (ROPS)



ITEM	PART NO.	QTY.	DESCRIPTION
1...	539 103433	6...	HCS, ½C x ¾"
2....	539 104411	2...	KNOB W STUD
3....	539 111036	2...	LANYARD W/PIN, ½"

ITEM	PART NO.	QTY.	DESCRIPTION
4....	539 111443	1...	ROPS, COMP W/SEAT BELT
5...	539 200100	6...	NUT, ½ -13, CENTERLOCK