



Operating Instructions and Parts Manual 14-inch Vertical Band Saws

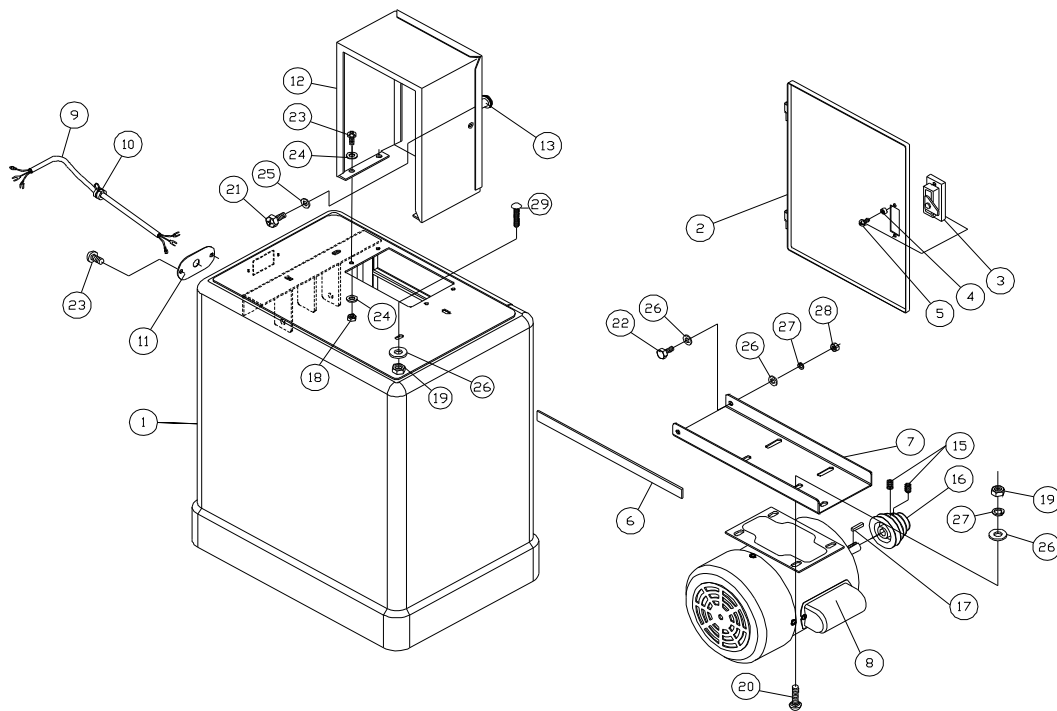
Models: J-8201, J-8203, J-8201VS, J-8203VS



JET
427 New Sanford Road
LaVergne, Tennessee 37086
Ph.: 800-274-6848
www.jettools.com

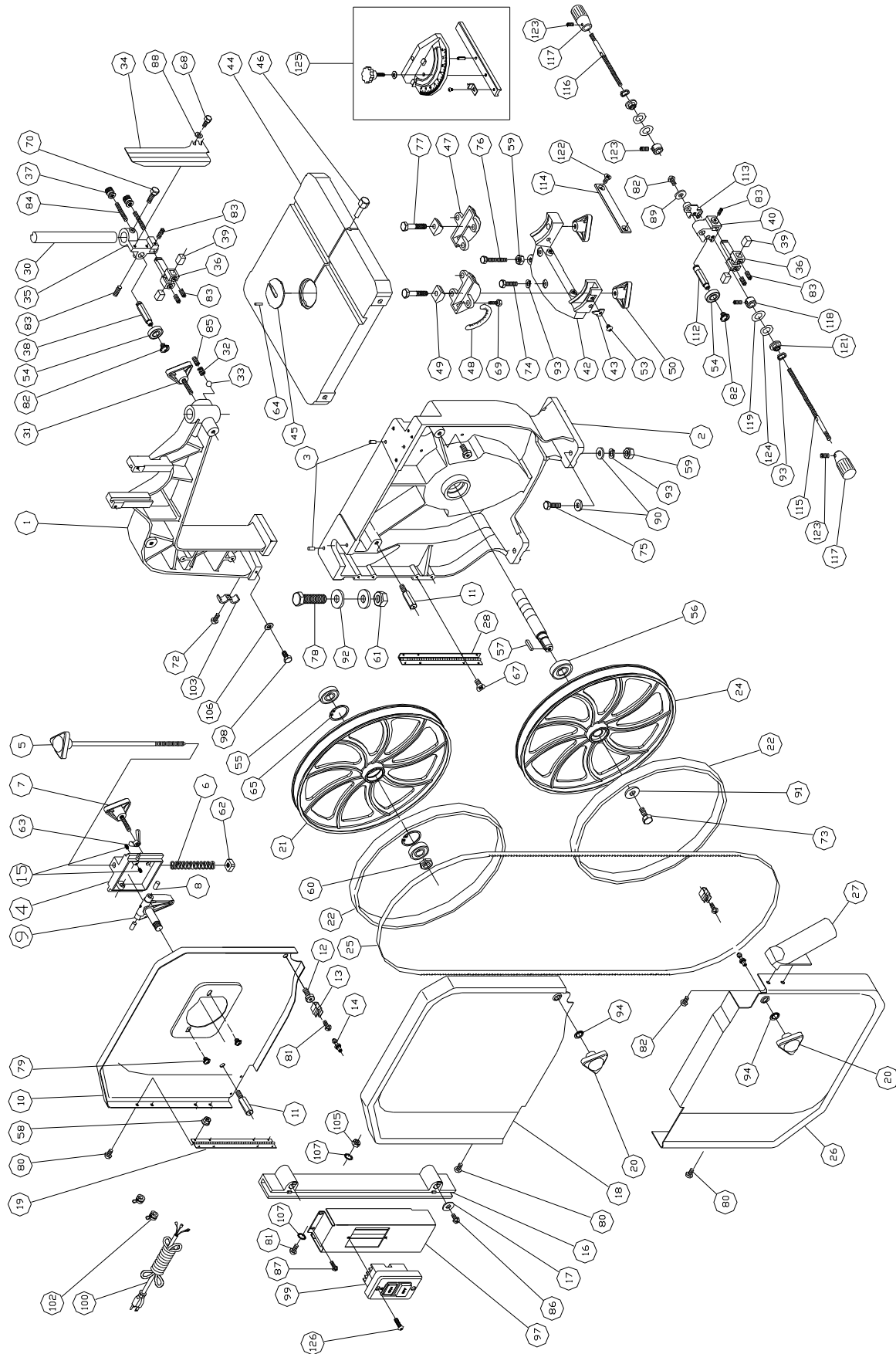
Part No. M-414500
Revision C1 03/2014
Copyright © 2014 JET

Exploded View and Parts List – Base – Models J-8201 and J-8203



| Index No | Part No | Description | Size | Qty |
|----------|------------|-------------------------------------|---------------|-----|
| 1 | J-5513834 | Closed Stand | | 1 |
| | J-5507565 | Closed Stand Assembly w/o Motor | | 1 |
| 2 | J-5513835 | Door | | 1 |
| 3 | 5513836 | Lock | | 1 |
| 4 | 5513837 | Washer | | 1 |
| 5 | 5513838 | Pan Head Bolt | M4x5 | 2 |
| | 5513858 | Lock Assembly (includes #3,4 and 5) | | 1 |
| 6 | 5513839 | Pad | | 2 |
| 7 | J-5513861 | Motor Bracket | | 1 |
| 8 | J-5784391 | Motor | 115/230V, 1Ph | 1 |
| | J-5784411 | Motor | 230/460V, 3Ph | 1 |
| 9 | IM148004 | Motor Cord | 1Ph | 1 |
| | IM148005 | Motor Cord | 3Ph 600V | 1 |
| 10 | 5513842 | Strain Relief | 6N-4,1PH | 2 |
| | 998630 | Strain Relief | 7P-2,3PH | 2 |
| 11 | 5784281 | Strain Relief Plate | 1PH | 1 |
| | 612156 | Strain Relief Plate | 3PH | 1 |
| 12 | J-5513845 | Pulley Cover | | 1 |
| 13 | 5513846 | Knob | | 1 |
| 15 | TS-1523011 | Set Screw | M6x6 | 2 |
| 16 | 5784682 | Pulley | | 1 |
| 17 | 5513859 | Key | 5x5x40 | 1 |
| 18 | TS-1540031 | Hex Nut | M5 | 4 |
| 19 | TS-2311081 | Hex Nut | M8 | 5 |
| 20 | 5513849 | Carriage Bolt | M8x16 | 4 |
| 21 | 5784331 | Hex Head Bolt | M6x12 | 1 |
| 22 | TS-1490041 | Hex Head Bolt | M8x25 | 2 |
| 23 | 5782761 | Pan Head Bolt | M5x12 | 6 |
| 24 | TS-1550031 | Flat Washer | M5 | 8 |
| 25 | 5511747 | Flat Washer | M6 | 1 |
| 26 | TS-1550061 | Flat Washer | M8 | 9 |
| 27 | 5511752 | Lock Washer | M8 | 6 |
| 28 | TS-1541031 | Nylon Nut | M8 | 2 |
| 29 | 5784683 | Carriage Bolt | M8x50 | 1 |

Exploded View – Saw Head – Models J-8201, J-8203, J-8201VS and J-8203VS

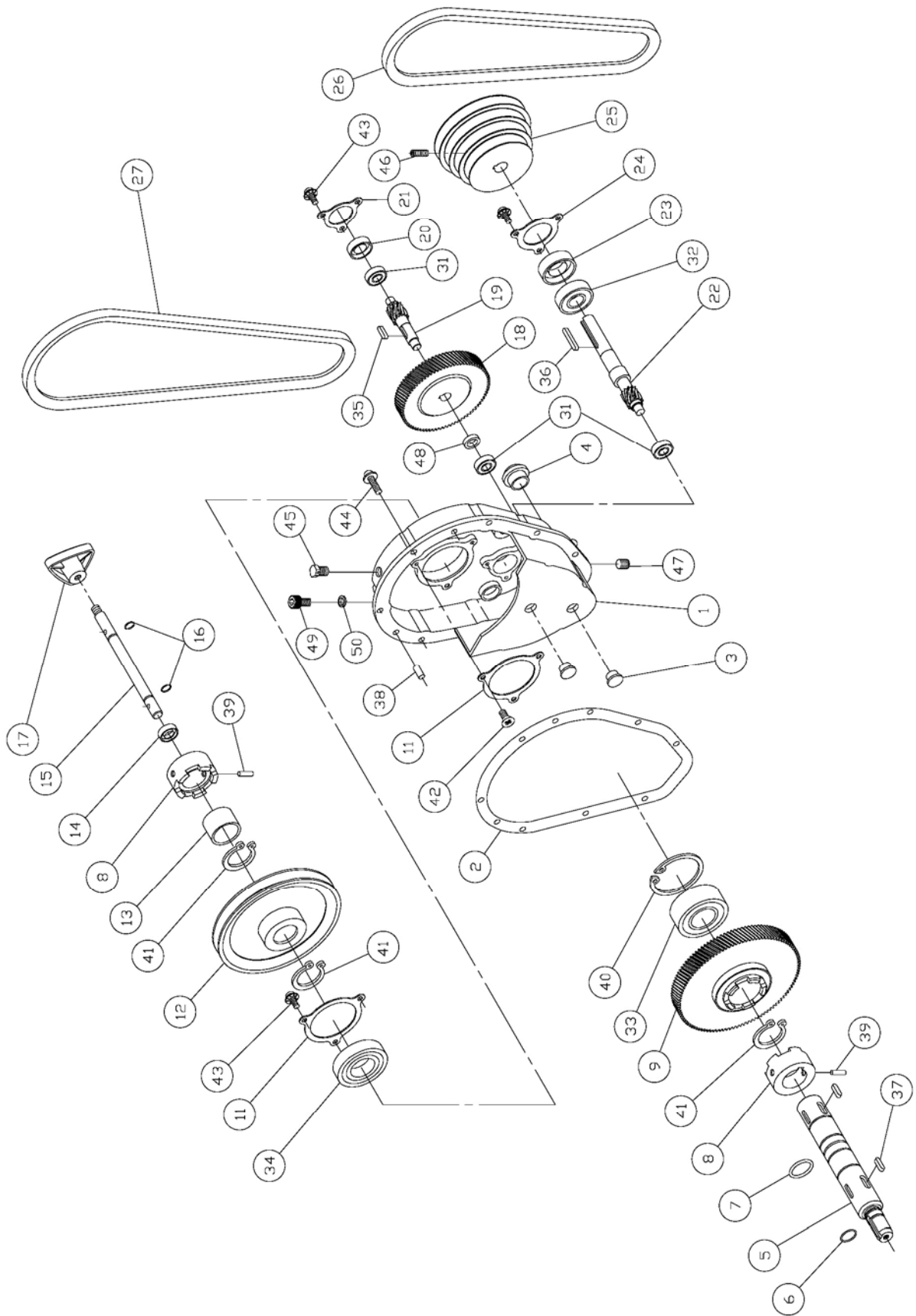


Parts List – Saw Head – Models J-8201,J-8203,J-8201VS and J-8203VS

| Index No | Part No | Description | Size | Qty |
|----------|------------|-------------------------------|------------------|-----|
| 1 | J-5782511 | Upper Arm, Frame | | 1 |
| 2 | 5783241 | Dowel Pin | | 4 |
| 4 | 5782521 | Upper Wheel Sliding Bracket | | 1 |
| 5 | 5782591 | Blade Tension Adjustment Knob | | 1 |
| 6 | 5782611 | Tension Spring | | 1 |
| 7 | 5782571 | Blade Track Adjustment Knob | M8x55 | 1 |
| 8 | 5782541 | Pivot Pin | | 2 |
| 9 | 5782531 | Upper Wheel Hinge w/ Shaft | | 1 |
| 10 | J-5782631 | Inner Upper Wheel Guard | | 1 |
| 11 | 5782821 | Stud | | 2 |
| 12 | 5782741 | Fixed Bolt | | 2 |
| 13 | 5782751 | Catch | | 2 |
| 14 | 170080 | Stud Latch | | 2 |
| 15 | TS-1522021 | Set Screw | M5x8 | 2 |
| 16 | 5782831 | Blade Guard | | 1 |
| 17 | 5782841 | Retainer | | 2 |
| 18 | J-5782891 | Outer Upper Wheel Guard | | 1 |
| 19 | 5782861 | Hinge (Upper) | | 1 |
| 20 | 5782921 | Knob | M8 | 2 |
| 21 | 5782661 | Upper Wheel | | 1 |
| 22 | 5782691 | Wheel Protector | | 2 |
| 24 | 5783161 | Lower Wheel | | 1 |
| 25 | 141020 | Saw Blade for Metal Cutting | 93-1/2" x 14T/in | 1 |
| | 170368 | Saw Blade for Wood Cutting | 93-1/2" x 6T/in | 1 |
| 26 | J-5783111 | Lower Wheel Guard | | 1 |
| 27 | 5783121 | Dust Chute | | 1 |
| 28 | 5783081 | Hinge (Lower) | | 1 |
| 30 | 5783351 | Guide Post | | 1 |
| 31 | 5783281 | Knob | M10x30 | 1 |
| 32 | 5783261 | Spring | | 1 |
| 33 | SB-8MM | Steel Ball | 8mm | 1 |
| 34 | 5783421 | Upper Wheel Blade Guard | | 1 |
| 35 | 5783341 | Upper Support Bracket Post | | 1 |
| 36 | 5783411 | Support Bracket | | 2 |
| 37 | 5783371 | Micro Adjustment Nut | | 2 |
| 38 | 5783321 | Upper Spacing Sleeve | | 2 |
| 39 | 5783391 | Carbide Blade Guide | | 4 |
| 40 | 5783631 | Lower Support Bracket Post | | 1 |
| 42 | 5783591 | Bracket Trunnion Support | | 1 |
| 43 | 5783611 | Point | | 1 |
| 44 | J-5783451 | Table | | 1 |
| 45 | 5783471 | Table Insert | | 1 |
| 46 | 5783481 | Table Pin | | 1 |
| 47 | 5783521 | Trunnion | | 2 |
| 48 | 5783531 | Scale | | 1 |
| 49 | 5783491 | Trunnion Clamp Shoe | | 2 |
| 50 | 5783621 | Knob | M10 | 2 |
| 53 | 5782641 | Pan Head Screw | M5x6 | 1 |
| 54 | 5783311 | Bearing | 6200ZZ | 2 |
| 55 | BB-6202ZZ | Bearing | 6202Z | 2 |
| 56 | 5783171 | Bearing | 6204LLU | 1 |
| 57 | 5783211 | Key | 5x5x20 | 2 |
| 58 | 5782881 | Flange Nut | M5 | 12 |
| 59 | 5783581 | Hex Nut | M8 | 5 |
| 60 | 5625361 | Hex Nut | M12 | 1 |
| 61 | 5783071 | Hex Nut | M16 | 1 |
| 62 | 5782621 | Square Nut | | 1 |
| 63 | 5782581 | Wing Nut | M8 | 1 |
| 64 | 5783461 | Roll Pin | 3x8 | 1 |
| 65 | 5782681 | Retaining Ring | R35 | 2 |

| Index No | Part No | Description | Size | Qty |
|----------|------------|-----------------------------|--------------------|-----|
| 67 | 5783091 | Flat Head Screw | M5x10 | 4 |
| 68 | 5625121 | Hex Cap Screw | M6x10 | 2 |
| 69 | TS-1482021 | Hex Cap Screw | M6x12 | 6 |
| 70 | TS-1482041 | Hex Cap Screw | M6x20 | 1 |
| 72 | 5782761 | Pan Head Screw | M5x8 | 1 |
| 73 | 5783141 | Hex Cap Bolt (Left Hand) | M8x20 | 1 |
| 74 | TS-1490051 | Hex Cap Screw | M8x30 | 2 |
| 75 | TS-1490071 | Hex Cap Bolt | M8x40 | 4 |
| 76 | 5783551 | Hex Cap Screw | M8x80 | 1 |
| 77 | TS-1491081 | Hex Cap Bolt | M10x50 | 2 |
| 78 | 5783051 | Hex Cap Bolt | M16x55 | 1 |
| 79 | 5782641 | Pan Head Screw | M5x6 | 2 |
| 80 | 5782871 | Pan Head Screw | M5x8 | 12 |
| 81 | 5782961 | Pan Head Screw | M5x25 | 3 |
| 82 | 5783131 | Pan Head Screw | M6x8 | 4 |
| 83 | 5783331 | Set Screw | M6x10 | 7 |
| 84 | 5783361 | Micro Adjustment Screw | M8x35 | 2 |
| 85 | 5783271 | Set Screw | M10x10 | 1 |
| 86 | 6286667 | Self Tapping Screw | M3.5x16 | 2 |
| 87 | 5782941 | Self Tapping Screw | M4x8 | 2 |
| 88 | TS-1550041 | Flat Washer | M6 | 2 |
| 89 | TS-1550041 | Flat Washer | M6 | 1 |
| 90 | 5783231 | Flat Washer | M8 | 8 |
| 91 | 5511747 | Flat Washer | M8 | 1 |
| 92 | 5783061 | Flat Washer | M16 | 2 |
| 93 | 5511752 | Lock Washer | M8 | 8 |
| 94 | 5511752 | Lock Washer | M8 | 2 |
| 97 | J-5782931 | Switch Bracket | 1PH | 1 |
| | 141039 | Switch Bracket | 3PH | 1 |
| 98 | TS-1482021 | Hex Cap Screw | M6x12 | 1 |
| 99 | 5782951 | Switch | 1Ph | 1 |
| | 994507 | Switch | 3Ph 480V | 1 |
| 100 | 5782981 | Power Cord | 115/230V, 1Ph | 1 |
| | IC148005 | Power Cord | 230/460V, 3Ph,600V | 1 |
| 102 | 5782971 | Strain Relief | 6N-4, 1PH | 2 |
| | 998630 | Strain Relief | 7P-2, 3PH | 2 |
| 103 | 5783021 | Wire Clip | | 1 |
| 105 | 5782881 | Flange Nut | M5 | 4 |
| 106 | 5783431 | Flat Washer | M6x13x1 | 1 |
| 107 | AFS400-23 | Lock Washer, External Tooth | M5 | 2 |
| 112 | 5783671 | Spacing Sleeve | | 1 |
| 113 | 5783641 | Adjusting Block | | 1 |
| 114 | 5783651 | Guide Plate | | 1 |
| 115 | 5783731 | Adjusting Bar | | 1 |
| 116 | 5783711 | Adjusting Bar | | 1 |
| 117 | 5783721 | Handle | | 2 |
| 118 | 5783681 | Setting Bushing | | 2 |
| 119 | 5783771 | Spacer | | 2 |
| 121 | 5783751 | Flange Nut | M8 | 2 |
| 122 | TS-1514021 | Flat Head Socket Screw | M6x15 | 2 |
| 123 | 5640181 | Set Screw | M5x5 | 4 |
| 124 | 5783761 | Wave Washer | 8x13 | 2 |
| 125 | 5784695 | Miter Gauge Assembly | | 1 |
| 126 | 5517184 | Pan Head Screw | M4x25 | 2 |

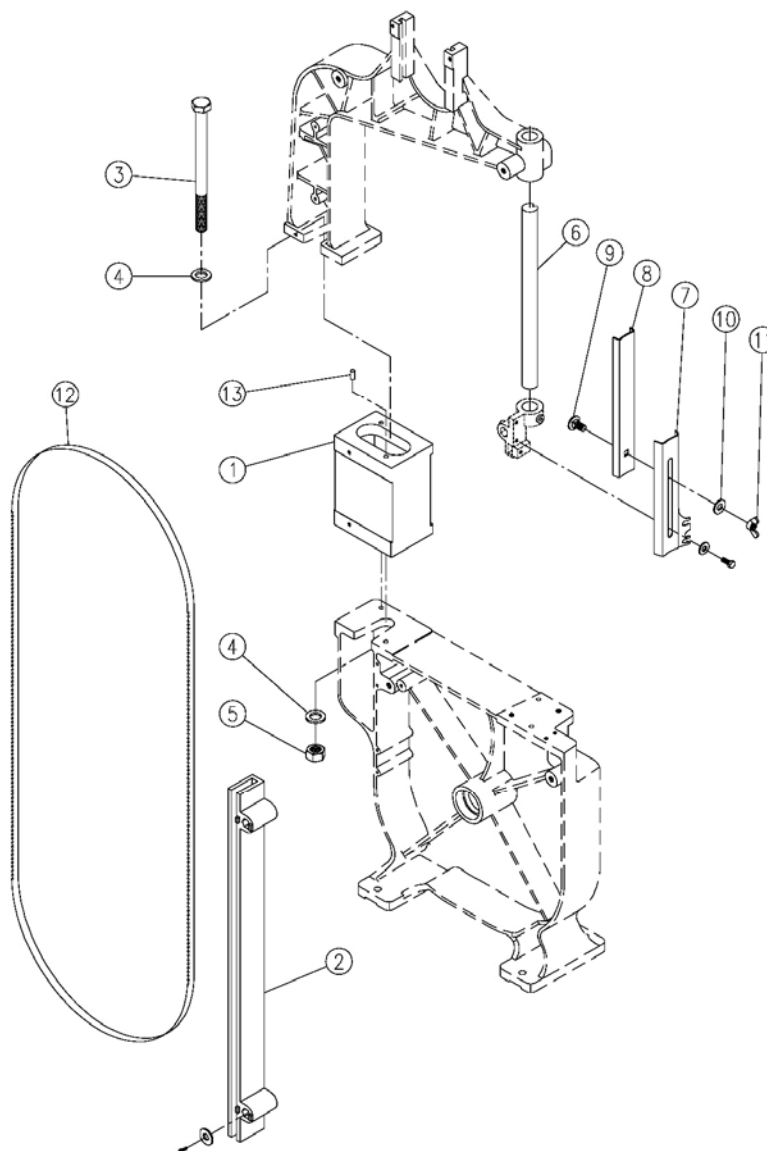
Exploded View – Gearbox – Models J-8201 and J-8203



Parts List – Gearbox – Models J-8201 and J-8203

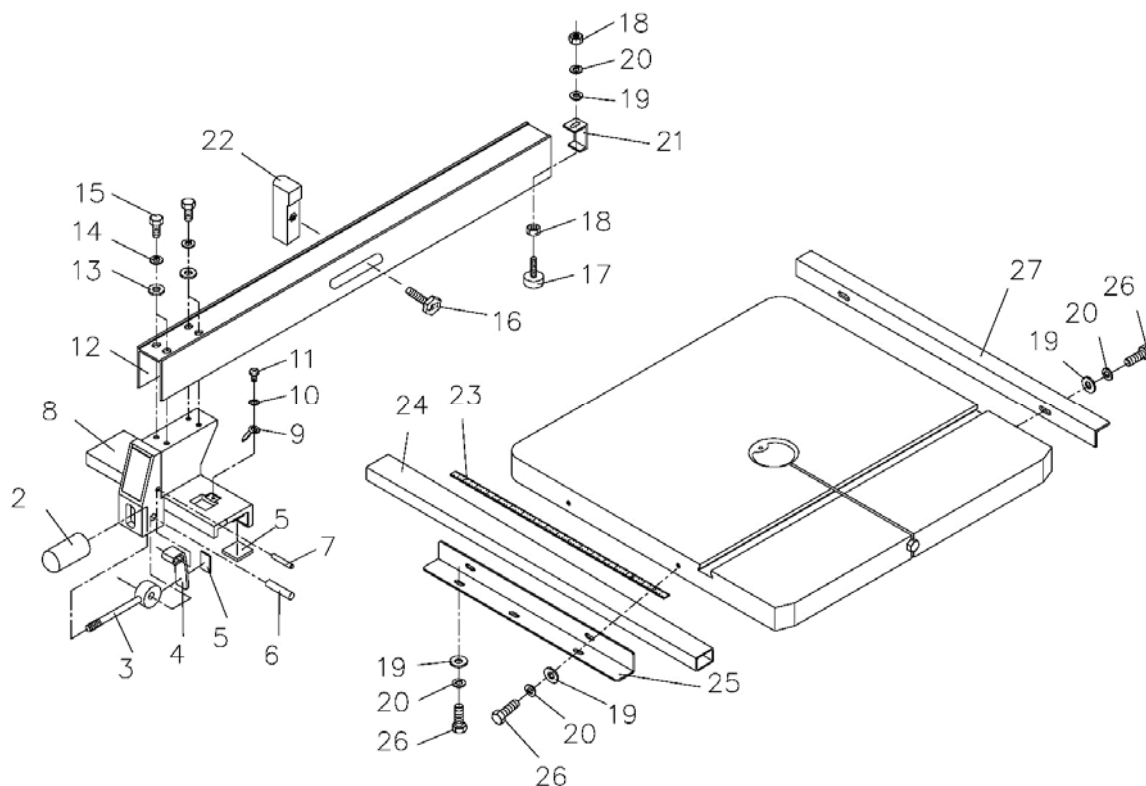
| Index No | Part No | Description | Size | Qty |
|----------|-----------|--|----------|-----|
| | J8201-GB | Gearbox Complete (includes all items below, except #26 and 27) | | |
| 1 | J-5783831 | Housing Gearbox | | 1 |
| 2 | 5513791 | Packing | | 1 |
| 3 | 5783861 | Plug | | 2 |
| 4 | 5783911 | Oil Level Glass | | 1 |
| 5 | 5783181 | Shaft | | 1 |
| 6 | 5784696 | O-Ring | P15 | 1 |
| 7 | 5784697 | O-Ring | P24 | 1 |
| 8 | 5784061 | Clutch Dog | | 2 |
| 9 | 5783921 | Gear | | 1 |
| 11 | 5513800 | Bearing Cover | | 2 |
| 12 | 5784111 | Pulley | | 1 |
| 13 | 5784121 | Bushing | | 1 |
| 14 | 5784051 | Oil Seal | | 1 |
| 15 | 5784081 | Clutch Shaft | | 1 |
| 16 | 5513805 | O-Ring | P9 | 2 |
| 17 | 5784091 | Knob | | 1 |
| 18 | 5783981 | Gear | | 1 |
| 19 | 5783951 | Shaft (with gear) | | 1 |
| 20 | 5783871 | Oil Seal | 30x7 | 1 |
| 21 | 5784141 | Bearing Cover | | 1 |
| 22 | 5783991 | Shaft (with gear) | | 1 |
| 23 | 5783881 | Oil Seal | 17x40x7 | 1 |
| 24 | 5784151 | Bearing Cover | | 1 |
| 25 | 5784181 | Gear Box Pulley | | 1 |
| 26 | 5784221 | V-Belt | A34 | 1 |
| 27 | 5784211 | V-Belt | A51 | 1 |
| 31 | 9100441 | Ball Bearing | 6200LLU | 3 |
| 32 | 5783851 | Ball Bearing | 6203LLU | 1 |
| 33 | 5783931 | Ball Bearing | 3206ZZ | 1 |
| 34 | 5629151 | Ball Bearing | 6206LLU | 1 |
| 35 | 5783961 | Key | 5x5x18 | 1 |
| 36 | 5784011 | Key | 5x5x40 | 1 |
| 37 | 5784031 | Key | 7x7x20 | 2 |
| 38 | 5513824 | Parallel Pin | 5x20 | 2 |
| 39 | 5784071 | Roll Pin | 5x30 | 2 |
| 40 | 5783941 | Internal Snap Pin | R62 | 1 |
| 41 | 5784041 | Retaining Ring | S30 | 3 |
| 42 | 5513828 | Countersunk Head Bolt | M5x10 | 3 |
| 43 | 5511817 | Pan Head Screw | M5x8 | 9 |
| 44 | 5784171 | Pan Head Screw | M6x16 | 8 |
| 45 | 5784698 | Hex Cap Screw w/ Air Drain | M8x12 | 1 |
| 46 | 5783331 | Set Screw | M6x10 | 2 |
| 47 | 5513833 | Drain Plug | 1/8x28PT | 1 |
| 48 | 5784699 | Bushing | | 1 |
| 49 | 5513831 | Socket Head Cap Screw | M10x8 | 1 |
| 50 | 5513805 | O-Ring | P9 | 1 |
| 51 | 144016 | Spacer | | 1 |

Exploded View and Parts List – 5782181 Optional Riser Block – All Models



| Index No | Part No | Description | Size | Qty |
|----------|-----------|--|-----------------------|-----|
| | 5782181 | Riser Block Assembly (includes all items below)..... | | |
| 1 | J-5784511 | Riser Block..... | | 1 |
| 2 | 5784521 | Blade Guard..... | | 1 |
| 3 | 5784551 | Hex Head Screw..... | 5/8x8-1/2..... | 1 |
| 4 | 5784561 | Flat Washer..... | 5/16..... | 1 |
| 5 | 5784571 | Hex Nut..... | 5/8..... | 1 |
| 6 | 5784581 | Guide Post..... | | 1 |
| 7 | 5784591 | Upper Wheel Blade Guard..... | | 1 |
| 8 | 5784611 | Blade Guard Extender..... | | 1 |
| 9 | 5784621 | Carriage Bolt..... | M8x16..... | 1 |
| 10 | 5511747 | Flat Washer..... | M8..... | 1 |
| 11 | 5782581 | Wing Nut..... | M8..... | 1 |
| 12 | 5784641 | Saw Blade (Metal Cutting)..... | 105"x3/8"x14T/in..... | 1 |
| | 5784681 | Saw Blade (Wood Cutting)..... | 105"x3/8"x6T/in..... | 1 |
| 13 | 5784651 | Pin..... | | 2 |

Rip Fence Assembly (Optional Equipment)



| Index No | Part No | Description | Size | Qty |
|----------|------------|---|------------|-----|
| 2 | JWBS18-431 | Knob | | 1 |
| 3 | JWBS18-432 | Lock Handle | | 1 |
| 4 | JWBS18-433 | Lock Plate | | 1 |
| 5 | JWBS18-434 | Pad | | 5 |
| 6 | JWBS18-435 | Pin | | 1 |
| 7 | JWBS18-436 | Pin | | 1 |
| 8 | JWBS18-430 | Fence Body | | 1 |
| 9 | JWBS18-422 | Pointer | | 1 |
| 10 | JWBS18-441 | Star Washer | | 1 |
| 11 | JWBS18-440 | Screw | 3/16 x 14 | 1 |
| 12 | 8201-12 | Fence | | 1 |
| 13 | JWBS18-439 | Flat Washer* | 5/16 | 4 |
| 14 | TS-0720081 | Lock Washer* | 5/16 | 4 |
| 15 | TS-0081031 | Hex Cap Bolt* | 5/16 x 3/4 | 4 |
| 16 | JWBS14-F16 | Knob* | | 1 |
| 17 | JWBS18-444 | Sliding Pad* | | 1 |
| 18 | TS-0561011 | Hex Nut* | 1/4" | 2 |
| 19 | TS-0680021 | Flat Washer* | 1/4" | 8 |
| 20 | TS-0720071 | Lock Washer* | 1/4" | 8 |
| 21 | JWBS18-445 | Rear Hook* | | 1 |
| 22 | JWBS14-F22 | Resaw Kit* | | 1 |
| 23 | JWBS14-F23 | Scale | | 1 |
| 24 | 8201-24 | Guide Rail | | 1 |
| 25 | 8201-25 | Front Rail | | 1 |
| 26 | TS-1482041 | Hex Cap Bolt* | M6 x 20 | 7 |
| 27 | 8201-27 | Rear Rail | | 1 |
| | JWBS14-HK | Hardware Kit (Includes items marked with *) | | |



427 New Sanford Road
LaVergne, Tennessee 37086
Phone: 800-274-6848
www.jettools.com