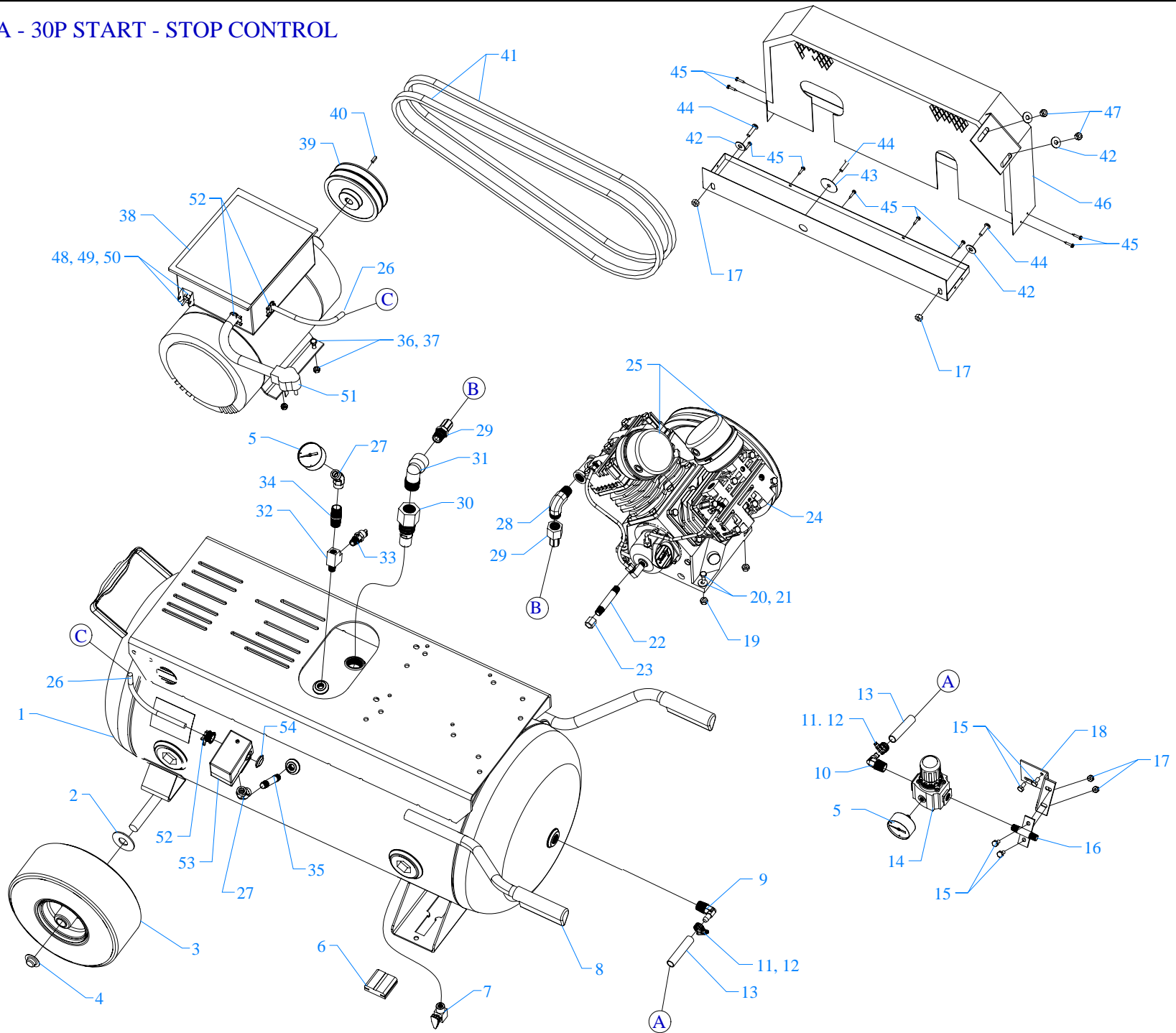


MODEL J5A - 30P START - STOP CONTROL



Parts List for Model J5A-30P With Start Stop Control

NOTE: The quantity number indicates the total number of pieces required for a complete unit repair.
When ordering parts give compressor model, serial number and part number. Order assemblies when possible.

<u>REF. NO.</u>	<u>PART NO.</u>	<u>DESCRIPTION</u>	<u>QTY.</u>
1	411-1191	TANK,PORTBL,30G,UM,G>&J&W	1
2	JP2036-03	WASHER,STEEL,3/4ID,SAE	2
3	JP2643-F	WHEEL,PNEUMATIC,10"ODX3/4"ID,BALLBRNG	2
4	120-1257	NUT,PAL,ST,PL,3/4"	2
5	142-1000	GAUGE,PSI,200#,BK MT,JENNY,2",1/4NPT,PG2	2
6	104-1251	PAD,RUBBER,70D,11GA,1-1/4X1-7/8X2-1/2,WP	2
7	141-1098	VALVE,BALL,DRAIN,1/4 TURN,1/4"M	1
8	104-1072	GRIP,HANDLE,RUBBER,YELLOW,7/8",STERILE	2
9	121-1143	BARB,HOSE,ELBOW,MALE,BRASS,3/8HSX1/2NPTM	1
10	121-1145	BARB,HOSE,ELBOW,MALE,BRASS,3/8HSX3/8NPTM	1
11	120-1173	CLAMP,HOSE,GEAR,WORM,SS,5/16" TO 7/8"	2
12	104-1075	CAP,COVER,PLASTIC,RED,0.40 X 1/4"X 3/8"	2
13	104-1022	HOSE,AIR,200 PSI,3/8"IDX30"LONG	1
14	160-1001	REGULATOR,PRESSURE,AIR,3/8"NPT	1
14A	360-1109	REGULATOR,PRESSURE,AIR,W/PG14,3/8"N,R38 INCLUDES 5,14,1/4"PLUG	1
15	120-1243	SCREW,FLANGE,HEX,SERR,ST,PL,1/4-20X 1/2	4
16	150-1083	BRACKET,REGULATOR,STEEL,PLATED,3/8",BR	1
16A	320-1029	BRACKET,REGULATOR,W/HARDWARE,ASSY,BR INCLUDES 15,16,17	1
17	120-1116	NUT,LOCK,FLANGE,HEX,SERR,ST,PLTD,1/4-20	4
18	109-1153	BRACKET,REGULATOR,17P	1
19	120-1116	NUT,LOCK,FLANGE,HEX,SERR,ST,PLTD,1/4-20	4
20	120-1009	SCREW,CAP,HEXHD,GR5,ST,PLTD,1/4-20X1-1/4	4

Parts List for Model J5A-30P With Start Stop Control

NOTE: The quantity number indicates the total number of pieces required for a complete unit repair.

When ordering parts give compressor model, serial number and part number. Order assemblies when possible.

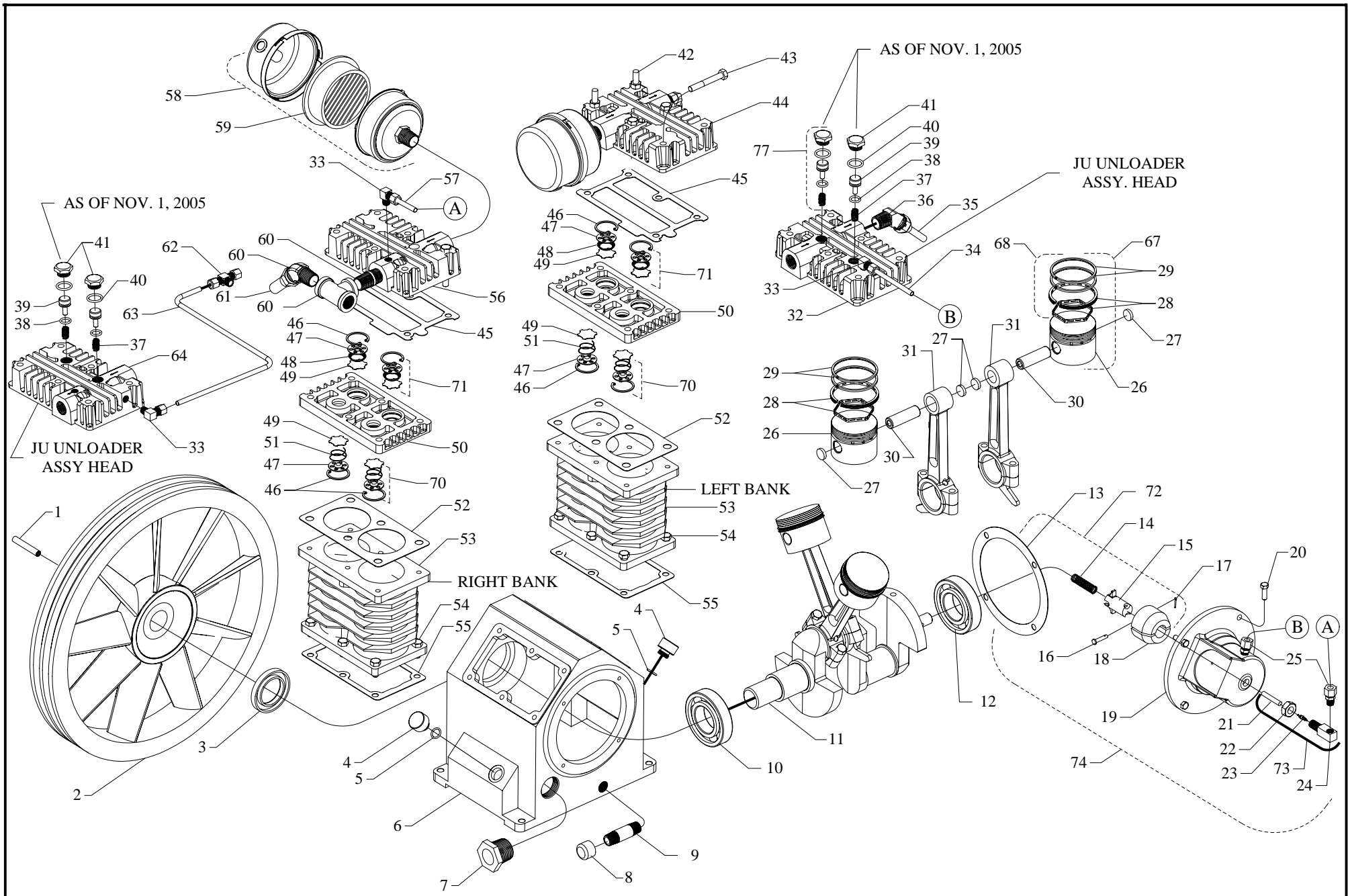
<u>REF. NO.</u>	<u>PART NO.</u>	<u>DESCRIPTION</u>	<u>QTY.</u>
21	120-1071	WASHER,FLAT,STEEL,PLATED,USS,1/4"	4
22	122-1037	NIPPLE,STEEL,SCH 40,3/8" X 2" L	1
23	122-1084	CAP,FEMALE,MI,3/8"NP	1
24	421-1551	PUMP,CMPRSR,PISTON,REPLCMT,BLUE,J	1
25	320-1121	FILTER,AIR,2PC,W/SILENCER&FILTER,G154	2
26	123-1104	WIRE,ASSY,BX,12/3	2FT
27	JD7625	ELBOW,FEMALE,45DEG,BRASS,1/4NPT	2
28	121-1018	ELBOW,MALE,BRASS,3/4-45SAEX3/4"NPTM	1
29	360-1404	AFTERCOOLER,HOSE,SS,TEFLON,3/4"ODX14"L	1
30	141-1037	VALVE,CHECK,INSERT,1"M X 3/4", 134	1
31	JD7988	ELBOW,STREET,BRASS,3/4"NPT	1
32	121-1189	TEE,STREET,BRASS,1/4"NPT	1
33	141-1004	VALVE,SAFETY,ASME,1/4",165 PSI,54 SCFM	1
34	122-1029	NIPPLE,CLOSE,STEEL,SCH 40,PLATED,1/4"	1
35	122-1030	NIPPLE,STEEL,SCH 40,1/4" X 2" L	1
36	120-1119	NUT,LOCK,FLANGE,HEX,SERR,ST,PLTD,5/16-18	4
37	120-1018	SCREW,FLANGE,HEX,SERR,ST,PLD,5/16-18X3/4	4
38	130-1089	MOTOR,5HP,230/60/1,1735RPM,ODP,TOP BOX	1
39	154-1055	PULLEY,CI,DG,6.0PDA,1-1/8ID,2AK64X1-1/8	1
40	120-1109	KEY,STEEL,BLACK,5/16X5/16X 1-1/2" LENGTH	1
41	154-4L540	BELT,VEE,A52,4L-540	2
42	120-1075	WASHER,FLAT,STEEL,PLATED,5/16"	4
43	120-1072	WASHER,FENDER,ST,PLATED,1/4"X1-1/2"OD	1

Parts List for Model J5A-30P With Start Stop Control

NOTE: The quantity number indicates the total number of pieces required for a complete unit repair.

When ordering parts give compressor model, serial number and part number. Order assemblies when possible.

<u>REF. NO.</u>	<u>PART NO.</u>	<u>DESCRIPTION</u>	<u>QTY.</u>
44	120-1267	SCREW,PAN HD,PHIL,STEEL,PLTD,1/4-20 X 1"	3
45	120-1177	SCREW,SELF DRILL,HEX,ST,PL,12 X 3/4	9
46	320-1181	BELTGUARD,J&W,W/PAN,4.13WX18.0HX32.25LG	1
47	120-1119	NUT,LOCK,FLANGE,HEX,SERR,ST,PLTD,5/16-18	2
48	140-1117	GUARD,SWITCH,TOGGLE,STEEL,PLATED,15/32"	1
49	120-1174	RIVET,POP,BLIND,CLSD END,1/8",.063-.125	2
50	140-1112	SWITCH,TOGGLE,SP,ST,10A,250V,HBL11SP	1
51	123-1128	CORD,DROP,SOWA,6-30PLUG,30A,10/3,7 FT	1
NOT SHOWN	610-1225	KIT,ELEMENT,FILTER,G54E,PKG OF 4,G54EP	1
NOT SHOWN	105-1209	OIL,PUMP,SYNTHETIC,BLUE,1 QUART,ESQ	1
NOT SHOWN	140-1125	CONTACTOR,DP,OP,2P,40A,230VAC	1



MODEL J & JU
 Four Cylinder Single Stage
 2-1/2 Bore X 3-1/4 Stroke

Parts List for Model J & JU

NOTE: The quantity number indicates the total number of pieces required for a complete pump repair.
When ordering parts give compressor model, serial number and part number. Order assemblies when possible.

<u>REF. NO.</u>	<u>PART NO.</u>	<u>DESCRIPTION</u>	<u>QTY.</u>
1	120-1166	PIN,FLYWHEEL, STL, 5/16 ODX 1-1/4 L, W25	1 EA
2	220-1094	FLYWHEEL,W PUMP,CI,16"DIA,2 GROOVE,W23A	1 EA
3	150-1038	SEAL,OIL,LIP,SINGLE,1.575 DIA,W11	1 EA
4	610-1029	PLUG,CRANKCASE,FILL,OIL,W/O-RING,K14	2 EA
5	104-1016	RING,O,BUNA-N,5/8"IDX13/16"ODX3/32"THK	2 EA
6	220-1036	CRANKCASE,W PUMP,CI,MACHINED,W1	1 EA
7	360-1114	SIGHT GLASS 1" INSTALLED LOW	1 EA
8	122-1084	CAP,FEMALE,MI,3/8"NPT	1 EA
9	122-1037	NIPPLE,STEEL,SCH 40,3/8" X 2" L	1 EA
10	150-1031	BEARING,BALL,W9	1 EA
11	220-1038	CRANKSHAFT,W PUMP,CI,MACHINED,W20	1 EA
12	150-1032	BEARING,BALL,W10	1 EA
13	104-1014	GASKET,CAP,BEARING,W PUMP,1/32THK,W3	1 EA
14	150-1081	COIL SPRING C/U UNLOADER ZN	1 EA
15	220-1049	TUBE,OPERATING,CENTRIFICAL UNLOADER,EQ71	1 EA
16	610-1066	PIN,PIVOT,UNLDR,CNTRFCL,W/CTTR PIN,EQ73	1 EA
17	120-1169	PIN,COTTER,ST,BLACK,1\16DIA X 1\2LG,EQ73B	1 EA
18	610-1167	UNLOADER,CENTRIFUGAL,WEIGHT,SET,EQ70	1 EA
19	220-1037	CAP,BEARING,W PUMP,CI,MACHINED,W2	1 EA
20	120-1002	SCREW,CAP,HEXHD,GR5,ST,BLK,1/4-20X5/8 (15 FT - LB.)	4 EA
21	220-1050	PIN,UNLOADER,CENTRIFICAL,EQ74D	1 EA
22	120-1171	NUT,HEX,JAM,STEEL,PLATED,7/16-20,EQ74C	1 EA
23	120-1170	VALVE,CORE,EQ74A	1 EA

Parts List for Model J & JU

NOTE: The quantity number indicates the total number of pieces required for a complete pump repair.
When ordering parts give compressor model, serial number and part number. Order assemblies when possible.

<u>REF. NO.</u>	<u>PART NO.</u>	<u>DESCRIPTION</u>	<u>QTY.</u>
24	150-1035	BODY,UNLOADER,EQ74B	1 EA
25	121-1025	CONNECTOR,MALE,COMPRESSION,BR,1/4TBX1/8"	2 EA
26	220-1005	PISTON,PUMP,ALUMINUM,MACHINED,K32	4 EA
27	104-1103	BUMPER,WRIST PIN,PLASTIC,K36A	8 EA
28	610-1065	KIT,RING,OIL,W/EXPANDER,ASSY,K34	4 EA
29	150-1003	RING,COMPRESSION,PISTON,STEEL,EBA 22,K33 (CHAMFER / PIP MARK ON TOP SIDE)	8 EA
30	150-1005	PIN,PISTON,STEEL,HARDENED,K35	4 EA
31	310-1007	ROD,CONNECTING,PUMP,ALUM,MACHINED,W21	4 EA
32	220-1016	HEAD,UNLOADING,G PUMP,CI,6HOLES,LU80	1 EA
33	121-1032	ELBOW,MALE,COMPRESSION,BR,1/4TBX1/8"NPTM	3 EA
34	610-1134	TUBE,BREATHER,COPPER,BENT,J&W PUMP,W18	1 EA
35	610-1119	TUBING,HEAD TO HEAD,J PUMP,CU,5/8",J59	1 EA
36	121-1015	ELBOW,MALE,BRASS,5/8-45SAEX1/2"NPTM	1 EA
37	150-1020	SPRING,VALVE,UNLOADER,INTAKE, KU83	4 EA
38	104-1020	RING,O,SILICON,7/16"IDX5/8"ODX3/32"THK	4 EA
39	150-1028	PISTON,UNLOADER,VALVE,CHECK,BRASS,KU81	4 EA
40	104-1015	RING,O,BUNA-N,1/2"IDX11/16"ODX3/32"THK	4 EA
41	122-1051	PLUG,HEX ,BRASS,11/16-16 UN-2B X .550	4 EA
42	120-1252	BOLT,STUD,HEX,ST,5/16-18X2-1/4X5/8,K52-1(22FT-LB)	2 EA
43	120-1028	SCREW,CAP,HEXHD,GR5,ST,BLK,5/16-18X2-1/4(22FT-LB)	10 EA
44	310-1004	HEAD,START/STOP,G PUMP,REPLACEMNT,L50 (LEFT HEAD)	1 EA
45	104-1008	GASKET,HEAD,K&G&W PUMP,1/32THK,L51	2 EA

Parts List for Model J & JU

NOTE: The quantity number indicates the total number of pieces required for a complete pump repair.
When ordering parts give compressor model, serial number and part number. Order assemblies when possible.

<u>REF. NO.</u>	<u>PART NO.</u>	<u>DESCRIPTION</u>	<u>QTY.</u>
46	150-1041	RETAINER, VALVE, STEEL, PAS, 0.062" THK, K43	8 EA
47	109-1010	VALVE, CHECK, BUMPER, STEEL, K44	8 EA
48	150-1018	SPRING, CONE, SS, VALVE, DISCHARGE, K46	4 EA
49	109-1011	VALVE, DISC, STEEL, K47	8 EA
50	610-1396	PLATE, VALVE, L PUMP, CI, PAINTED, BLUE, L40	2 EA
51	150-1017	SPRING, CONE, SS, VALVE, INTAKE, K45	4 EA
52	104-1007	GASKET, PLATE, VALVE, K&G&W PUMP, 1/32TK, L41	2 EA
53	360-1152	CYLINDER W30 REPLACEMENT BLUE W30	2 EA
54	120-1017	SCREW, CAP, HEXHD, GR5, ST, BLK, 5/16-18X3/4 (15 FT - I	12 EA
55	104-1006	GASKET, CYLINDER, K&G&W PUMP, 1/32THK, K31	2 EA
56	310-1034	HEAD, START/STOP, J PUMP, J50 (RIGHT HEAD)	1 EA
57	610-1138	TUBE, UNLOADER, CENTRIFUGAL, J PUMP, CU, J78	1 EA
58	320-1121	FILTER, W/DECALS, ASSY, G154S	2 EA
59	150-1104	ELEMENT, FILTER, AIR, (92 EMGLO), G54E	2 EA
60	610-1067	MANIFOLD, PIPE, OUTLET, J PUMP, ASSY, J57	1 EA
61	610-1119	TUBING, HEAD TO HEAD, J PUMP, CU, 5/8", J59	1 EA
62	121-1039	TEE, BRANCH, BRASS, 1/4" TBX1/4" TBX1/8" NPTM	1 EA
63	610-1136	TUBING, UNLOADER, HEAD-HEAD, W PUMP, WU88	1 EA
64	220-1078	HEAD, UNLOADING, J PUMP, CI, MACHINED, JU80	1 EA
ASSEMBLIES			
65	610-1068	KIT, GASKET, J PUMP, ASSY, J100 SET INCLUDES 13, (2) 45, (2) 52, (2) 55	1 EA
66	610-1126	KIT, BASIC, REPAIR, J PUMP, J101 65 (2), 68 (4), 70(4), 71(4), 150-1010 FILTER ELEMENT	1 EA

Parts List for Model J & JU

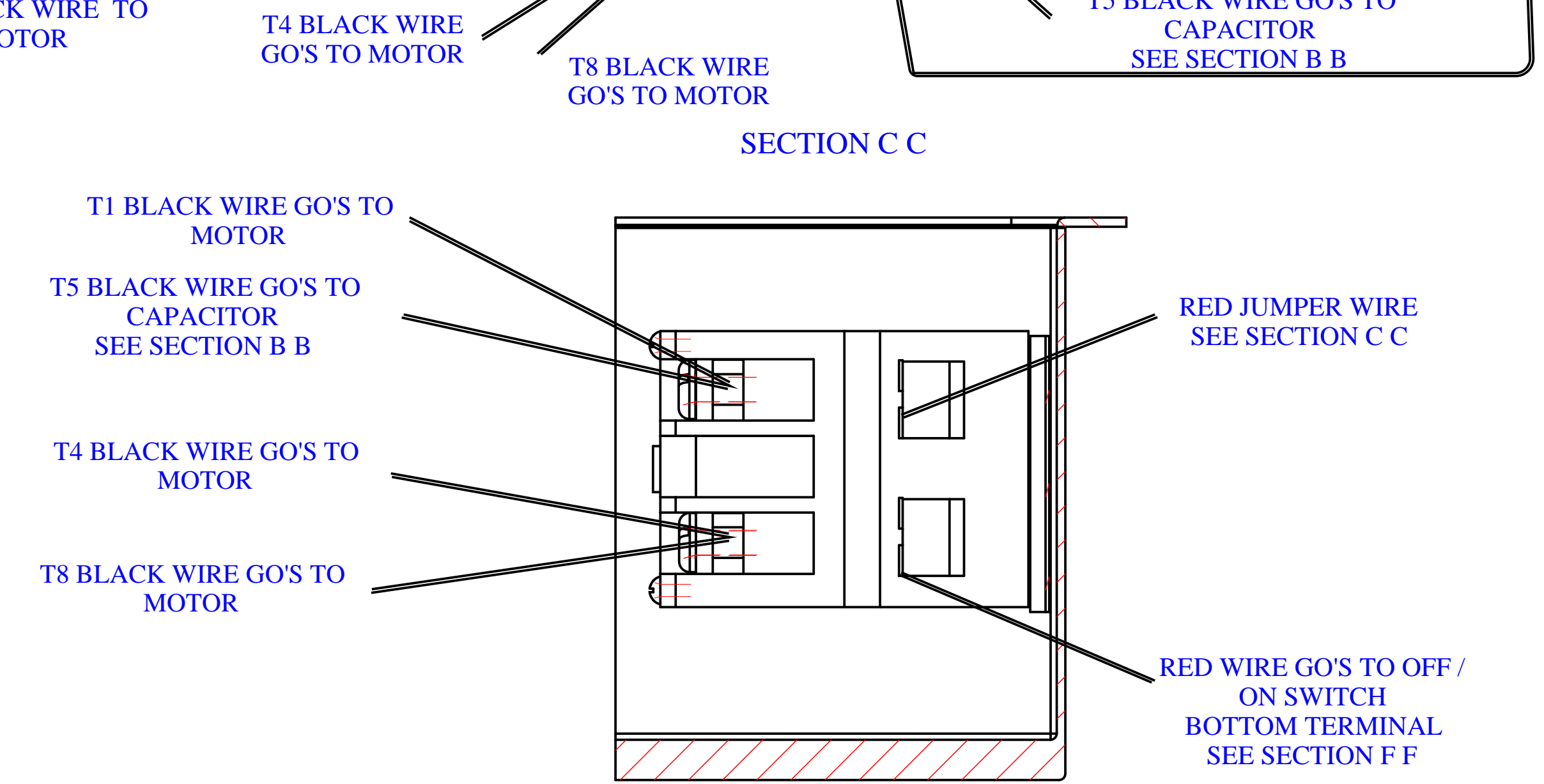
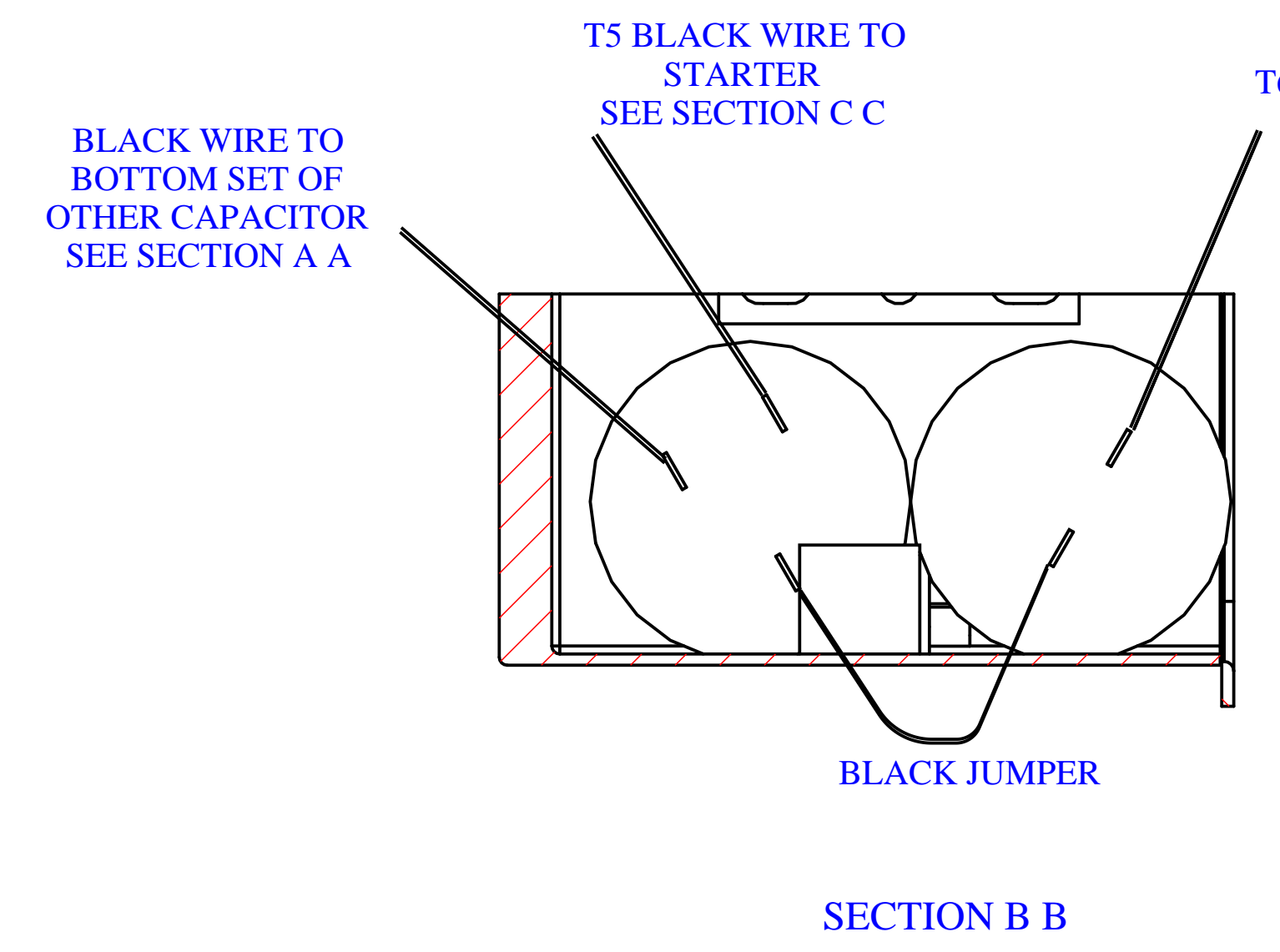
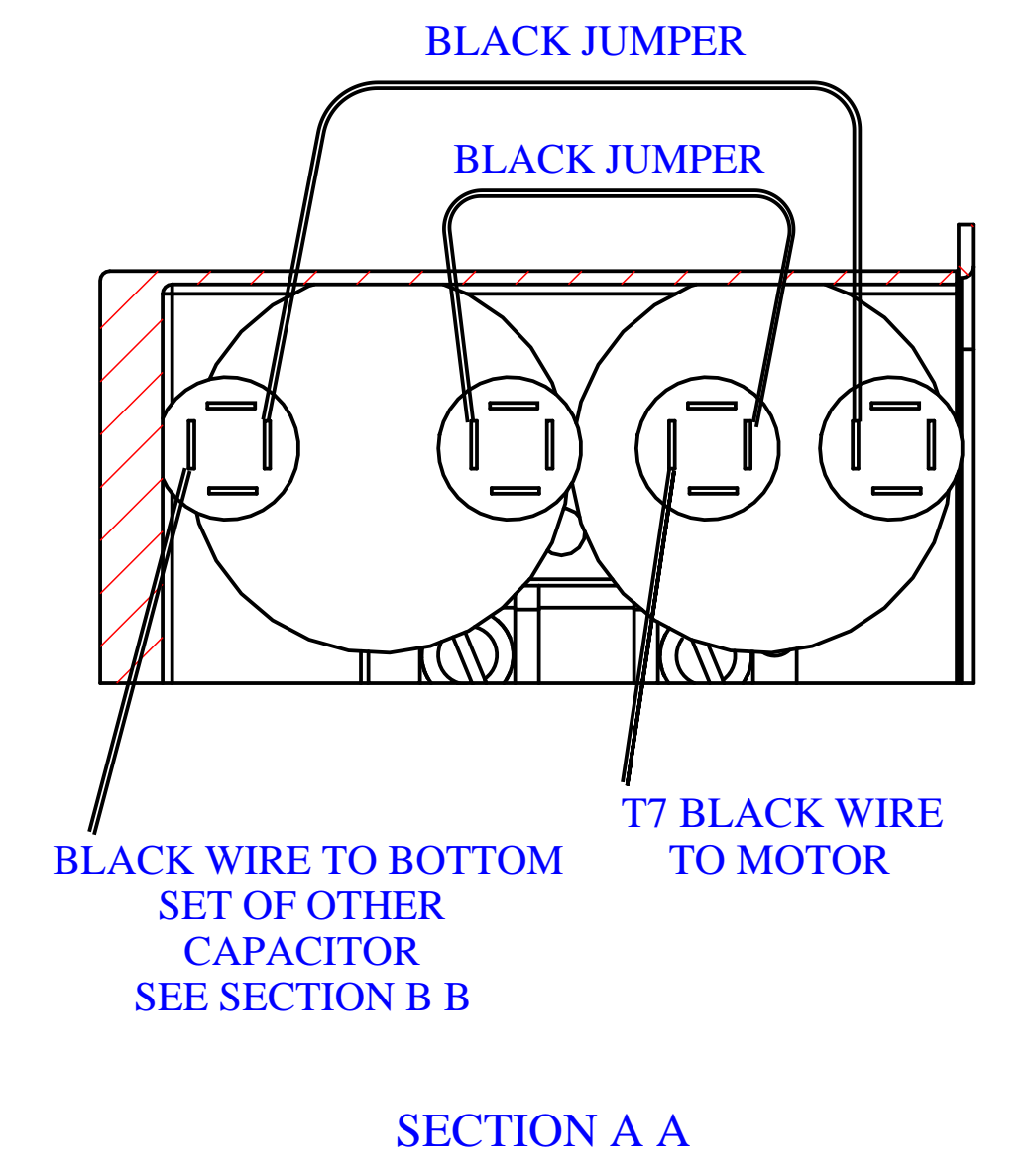
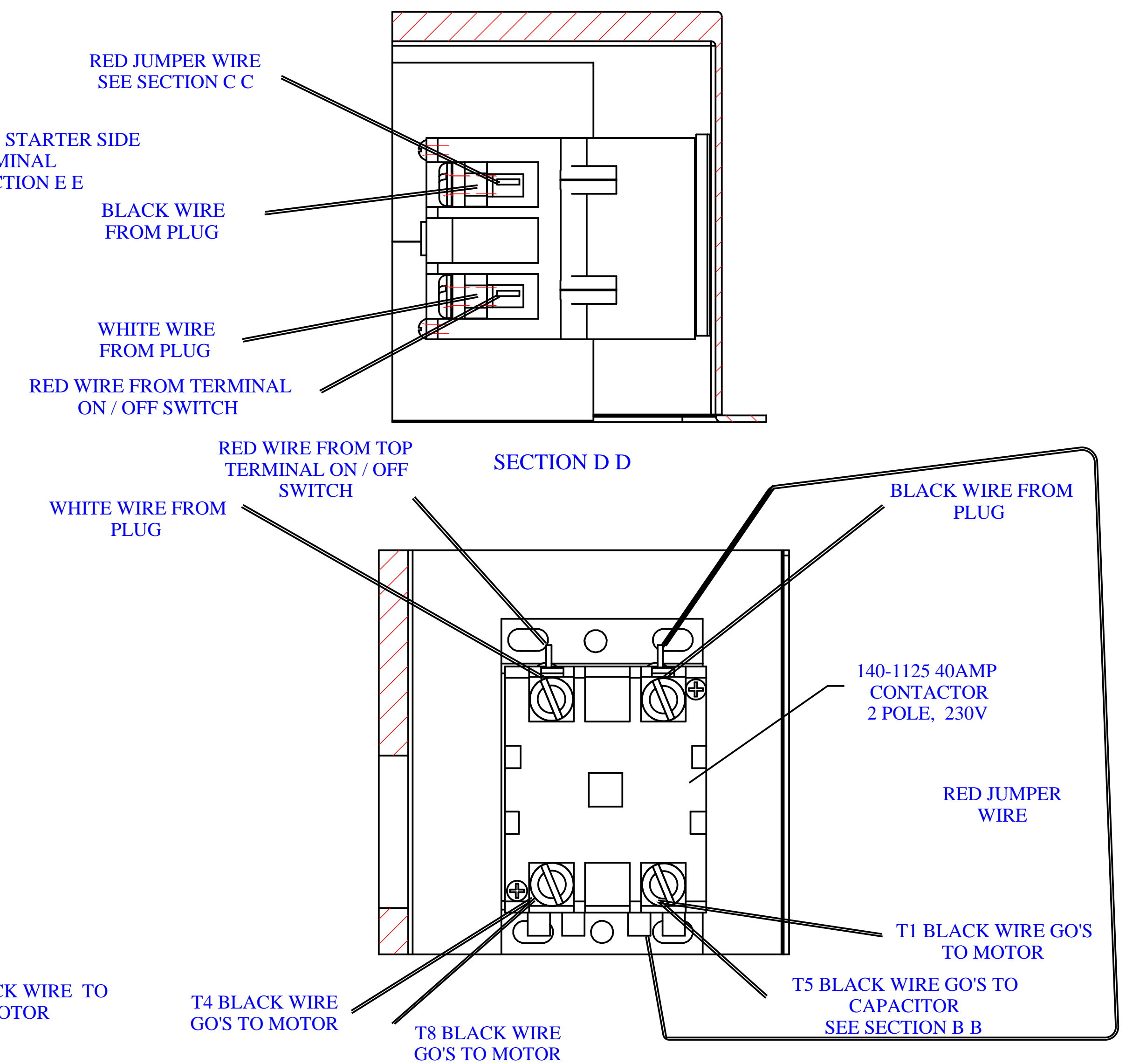
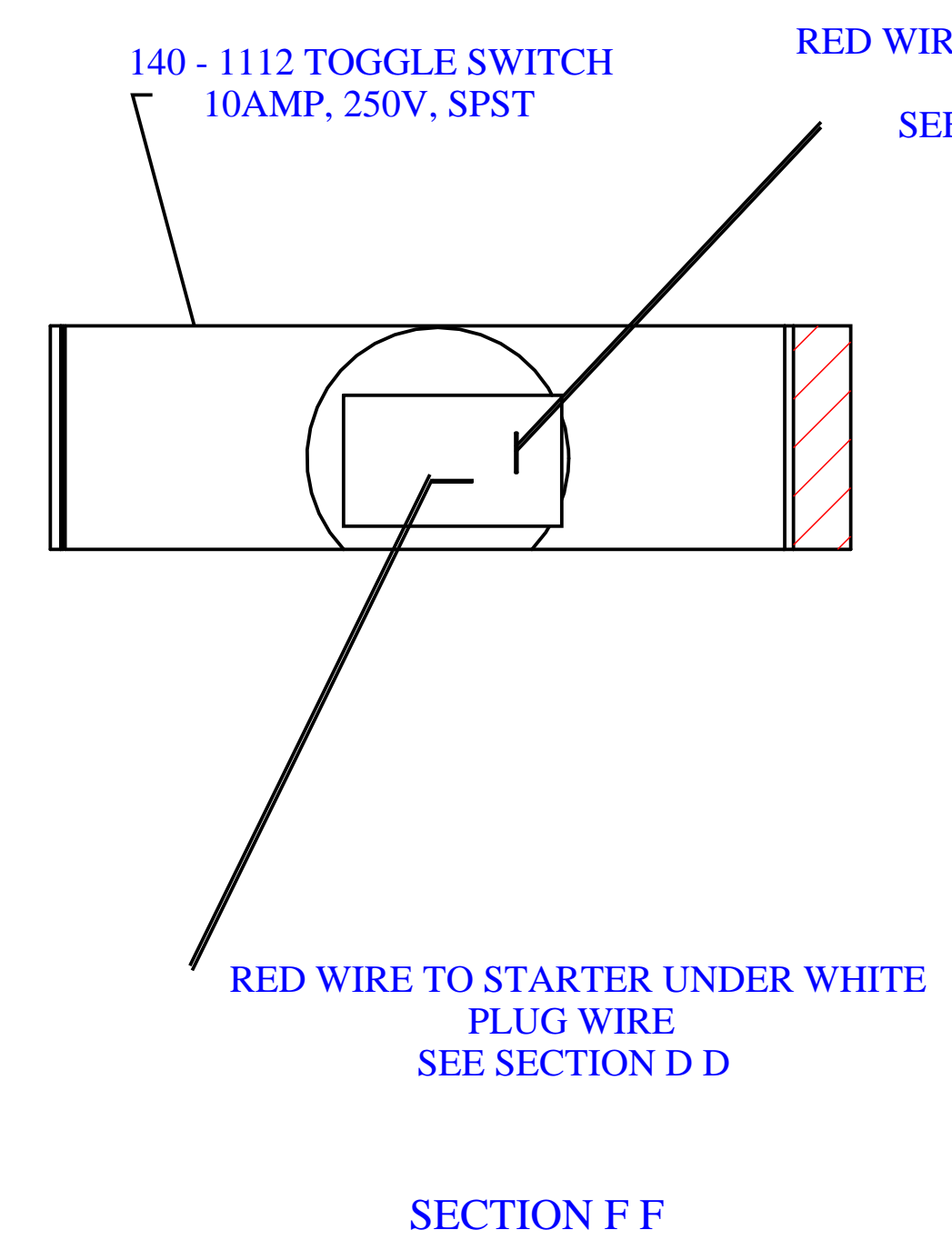
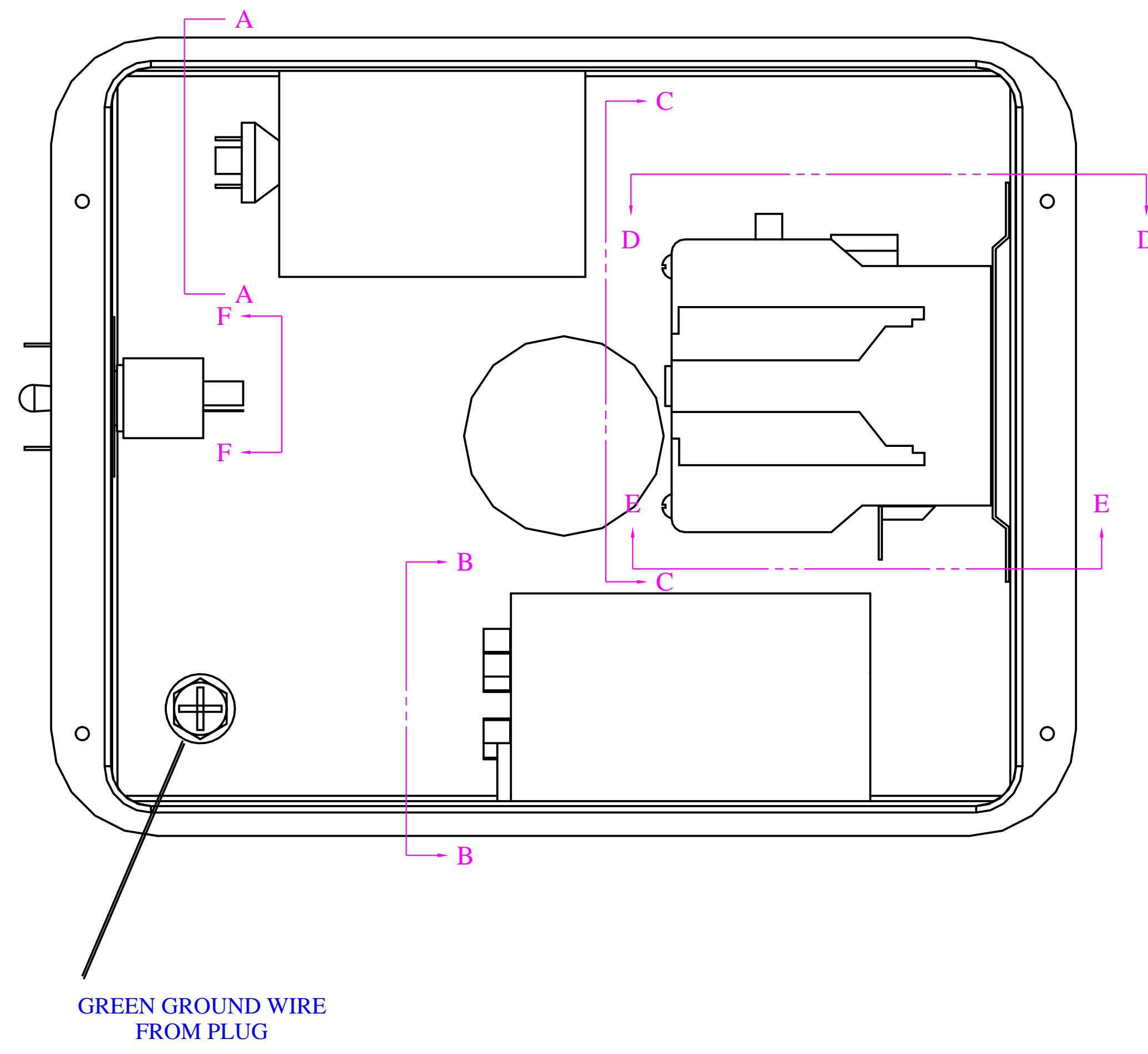
NOTE: The quantity number indicates the total number of pieces required for a complete pump repair.
When ordering parts give compressor model, serial number and part number. Order assemblies when possible.

<u>REF. NO.</u>	<u>PART NO.</u>	<u>DESCRIPTION</u>	<u>QTY.</u>
67	610-1028	PISTON,W/RINGS&PIN,ASSY,K132	3 EA
68	610-1020	KIT,PUMP,RING,PISTON,F&K&G&W PUMP,K133	2 EA
69	610-1127	KIT,BASIC,REPAIR,JU PUMP,JU101 SAME AS 66 w / (4) 78	1 EA
70	610-1031	VALVE,CHECK,SUCTION,ASSY,K145	4 EA
71	610-1032	VALVE,CHECK,DISCHARGE,ASSY,K146	4 EA
72	610-1053	WEIGHT,UNLOADER,CENTRIFICAL,W/GSKT,W170 ASSY, W / GASKET,INCLUDES 13,14,15,16,18	1 EA
73	310-1016	VALVE,UNLOADER,CENTRIFICAL,ASSY,EQ174 ASSY. INCLUDES 21, 22, 23, 24, 25	1 EA
74	610-1054	UNLOADER,CENTRIFICAL,W/B CAP,ASSY,W175 ASSY. W / BEARING CAP, TUBING AND GASKET	1 EA
75	310-1008	HEAD,UNLOADING,K&G,W/1/2"PRT 6 HLE,LU180 COMPLETE W / UNLOADERS (RIGHT HEAD)	1 EA
76	610-1045	PLATE,VALVE,W/VALVES,ASSY,L140 INSTALLED W / 45, 52 GASKET	1 EA
77*	610-1042	VALVE,UNLOADER,HEAD,PUMP,ASSY 150-1042 (2pcs) 120-1167 (2pcs) must be ordered extra	4 EA
77**	610-1042	VALVE,UNLOADER,HEAD,PUMP,ASSY,KU181 INCLUDES 37, 38, 39, 40 41	4 EA
78	310-1035	HEAD,UNLOADING,J PUMP,JU180 (LEFT HEAD)	1 EA

77* for units built before serial #D103105001

77** for units built after serial #D110105001

WIRING DIAGRAM 5HP MOTOR BOX



ALL INTERNAL PARTS MUST BE SUPPLIED BY MOTOR MANUFACTURER

SECTION E E