



Assembly Instructions and Parts Manual JPSF-1 Fence and JPSR Rail Set



WALTER MEIER (Manufacturing) Inc.

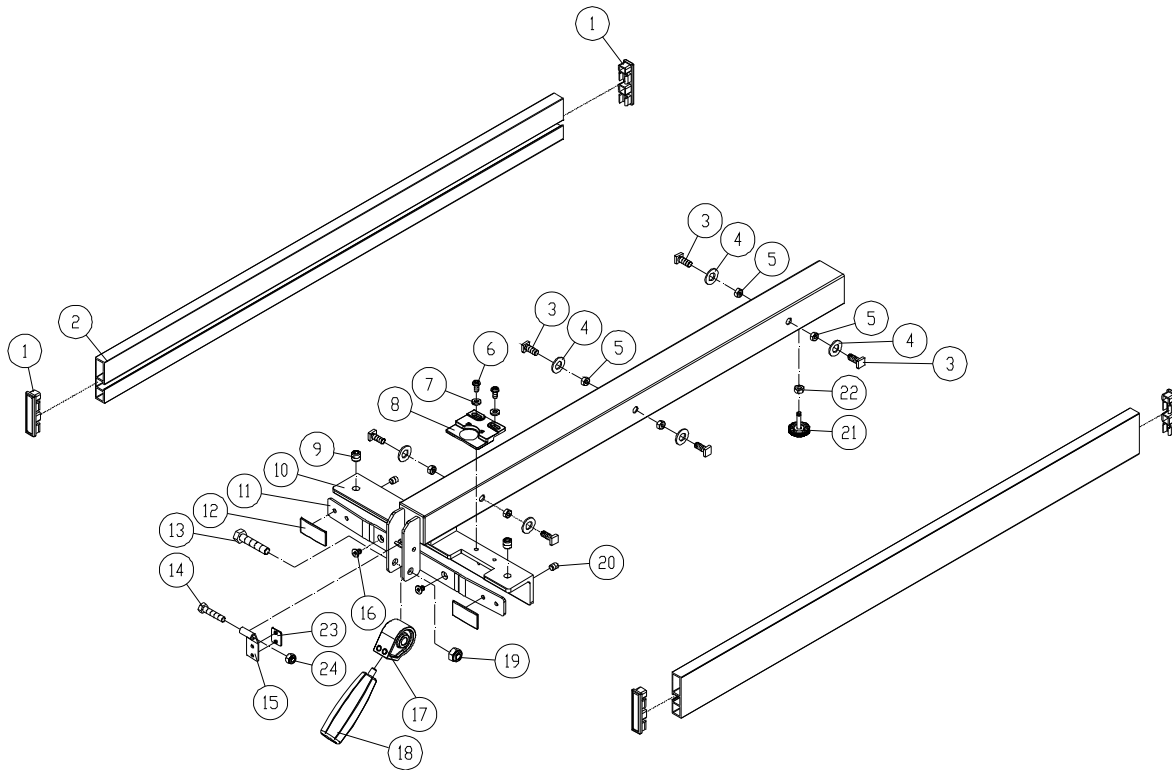
427 New Sanford Road
LaVergne, Tennessee 37086
Ph.: 800-274-6848
www.waltermeier.com

Part No. M-708482

Revision C2 02/2013

Copyright © 2013 Walter Meier (Manufacturing) Inc.

Parts List for the JPSF-1 Pro Shop Fence



Index No.	Part No.	Description	Size	Qty
	708482	JPSF-1 Pro Shop Fence Assembly		
1	JPSF1-101A	Side Plate End Cover		4
2	JPSF1-102A	Side Plate		2
3	JPSF1-103	Square Bolt	M8x20	6
4	TS-1550061	Flat Washer	M8	6
5	TS-1540061	Hex Nut	M8	6
6	TS-1534032	Pan Head Screw	M6x10	2
7	TS-1550041	Flat Washer	M6	2
8	JPSF1-108	Cursor		1
9	JPSF1-109	Adjustment Screw		2
10	JPSF1-110	Fence Body		1
11	JPSF1-111	Slide Hold Plate		1
12	JPSF1-112	Pad		2
13	TS-1491081	Hex Cap Screw	M10x50	1
14	TS-1482101	Hex Cap Screw	M6x50	1
15	JPSF1-115	Lock Plate		1
16	TS-2246101	Flat Head Screw	M6x10	2
17	JPSF1-117	Lock Cam		1
18	JPSF1-118	Handle		1
19	TS-1541041	Nylon Insert Lock Nut	M10	1
20	TS-1524011	Set Screw	M8x8	2
21	JPSF1-121	Adjustment Foot		1
22	TS-1540041	Hex Nut	M6	1
23	JPSF1-123	Stop Pad		1
24	TS-1541021	Nylon Insert Lock Nut	M6	1