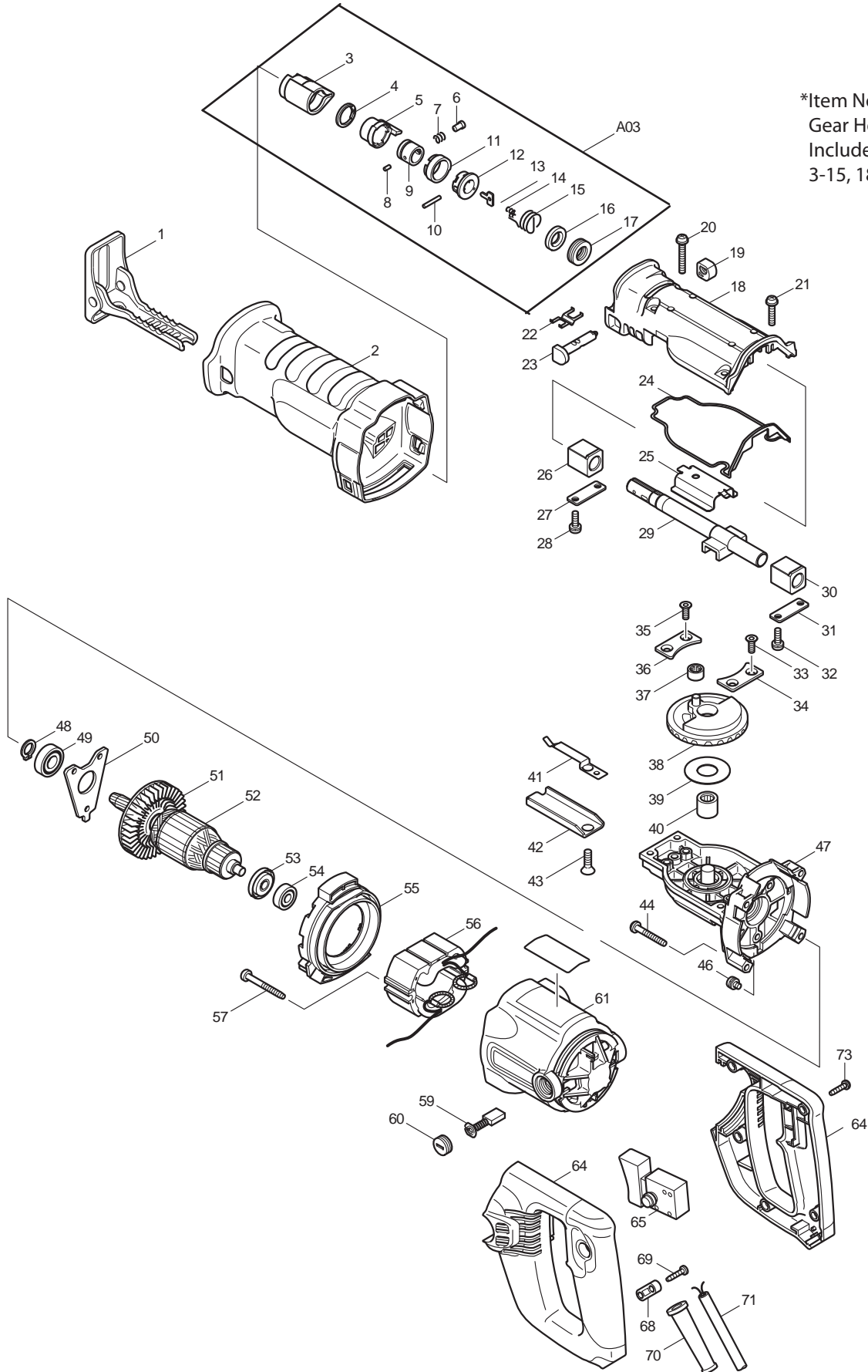




08 - 2010
JR3050T, JR3050TX, JR3050TY
1-1/8" RECIPRO SAW, TOOLLESS



*Item No. 74 #125523-8
Gear Housing Cover Assy
Includes Item No.
3-15, 18, 19, 22, 23, 25-32

| Item No | Type | Ref | Part No | Description | Qty | Unit |
|---------|------|------|----------|---|-----|------|
| 1 | | | 163451-9 | SHOE | 1 | PC. |
| 2 | | | 421892-8 | INSULATION COVER | 1 | PC. |
| 3 | | | 424147-0 | * PROTECTOR (TYPE 2) | 1 | PC. |
| 4 | 2 | | 257952-8 | * RETAINING RING (EXT) 18 | 1 | PC. |
| 5 | 2 | | 310285-3 | * DRIVING SLEEVE | 1 | PC. |
| 6 | | | 256492-3 | SHOULDER PIN 5 (OLD# 256471-1 - N/L/A) | 1 | PC. |
| 7 | | | 233345-3 | COMPRESSION SPRING 6 | 1 | PC. |
| 8 | | | 268094-3 | PIN 3 | 1 | PC. |
| 9 | 2 | | 331720-8 | * GUIDE SLEEVE | 1 | PC. |
| 10 | | | 256158-5 | PIN 3 | 1 | PC. |
| 11 | | | 417791-0 | DRIVING SLEEVE GUIDE | 1 | PC. |
| 12 | | | 418311-3 | SLEEVE | 1 | PC. |
| 13 | | | 345214-7 | PUSH PLATE | 1 | PC. |
| 14 | | | 233025-1 | COMPRESSION SPRING 2 | 1 | PC. |
| 15 | | | 231687-9 | TORSION SPRING 17 (OLD# 231662-5 - N/L/A) | 1 | PC. |
| 16 | | | 213151-2 | OIL SEAL 14 | 1 | PC. |
| 17 | | | 213174-0 | X RING 14 | 1 | PC. |
| 18 | | | 154499-2 | GEAR HOUSING COVER COMPLETE | 1 | PC. |
| | | INC. | | Item No. 16,17 | 1 | PC. |
| 19 | | | 418806-6 | CAP | 1 | PC. |
| 20 | | | 911258-5 | PAN HEAD SCREW M5X35 | 2 | PC. |
| 21 | | | 911243-8 | PAN HEAD SCREW M5X25 | 2 | PC. |
| 22 | | | 232221-8 | LEAF SPRING A | 1 | PC. |
| 23 | | | 162236-0 | SHIFT BUTTON | 1 | PC. |
| 24 | | | 421893-6 | SEAL RING | 1 | PC. |
| 25 | | | 345480-6 | SLIDE PLATE | 1 | PC. |
| 26 | | | 214169-6 | PLANE BEARING 14 | 1 | PC. |
| 27 | | | 341462-6 | PLATE | 1 | PC. |
| 28 | | | 911225-0 | PAN HEAD SCREW M5X16 | 2 | PC. |
| 29 | 2 | | 154788-5 | SLIDER COMPLETE | 1 | PC. |
| | 3 | | 168405-1 | SLIDER | 1 | PC. |
| 30 | | | 214169-6 | PLANE BEARING 14 | 1 | PC. |
| 31 | | | 341462-6 | PLATE | 1 | PC. |
| 32 | | | 911225-0 | PAN HEAD SCREW M5X16 | 2 | PC. |
| 33 | | | 265148-7 | TORX SOCKET HEAD SCREW M5X14 | 2 | PC. |
| 34 | | | 345478-3 | GEAR PLATE | 1 | PC. |
| 35 | | | 265148-7 | TORX SOCKET HEAD SCREW M5X14 | 2 | PC. |
| 36 | | | 345478-3 | GEAR PLATE | 1 | PC. |
| 37 | 1 | | 212001-8 | NEEDLE BEARING 708 | 1 | PC. |
| | 2 | | 212959-1 | NEEDLE BEARING 708 | 1 | PC. |
| 38 | | | 125283-2 | GEAR ASS'Y | 1 | PC. |
| | | INC. | 154476-4 | GEAR COMPLETE | 1 | PC. |
| | | INC. | | Item No. 40 | 1 | PC. |
| 39 | | | 267290-0 | FLAT WASHER 18 | 1 | PC. |
| 40 | | | 212115-3 | NEEDLE BEARING 1216 | 1 | PC. |
| 41 | | | 232222-6 | LEAF SPRING B | 1 | PC. |
| 42 | | | 345479-1 | SHOE GUIDE | 1 | PC. |
| 43 | 1 | | 265149-5 | + COUNTERSUNK HEAD SCREW M6X16 -N/L/A | 1 | PC. |
| | 2 | | 265165-7 | TORX SOCKET C.S.HEADSCREW M6X16 | 1 | PC. |
| 44 | 1 | | 266012-5 | TAPPING SCREW 5X35 | 4 | PC. |
| | 2 | | 266373-3 | TAPPING SCREW 5X35 | 4 | PC. |
| 46 | 1 | | 911606-8 | PAN HEAD SCREW M5X10 | 3 | PC. |
| | 2 | | 265530-0 | HEX.SOCKET HEAD BOLT M5X8 | 3 | PC. |
| 47 | | | 154497-6 | GEAR HOUSING COMPLETE | 1 | PC. |
| 48 | | | 961052-5 | RETAINING RING S-12 | 1 | PC. |
| 49 | | | 210102-6 | BALL BEARING 6001DDW | 1 | PC. |
| 50 | | | 285718-6 | BEARING RETAINER | 1 | PC. |
| 51 | | | 241863-7 | FAN 70 | 1 | PC. |
| 52 | 1 | | 513596-7 | * ARMATURE ASS'Y 115V (For 9A Model) | 1 | PC. |
| | | INC. | | * Item No. 51,53,54 | 1 | PC. |
| | 2 | | 518682-9 | * ARMATURE ASS'Y 115V | 1 | PC. |
| | | INC. | | * Item No. 51,53,54 | 1 | PC. |

| Item No | Type | Ref | Part No | Description | Qty | Unit |
|--------------------|------|------|------------|--|-----|------|
| 53 | | | 681644-1 | INSULATION WASHER | 1 | PC. |
| 54 | | | 210029-0 | BALL BEARING 608ZZ | 1 | PC. |
| 55 | | | 418805-8 | BAFFLE PLATE | 1 | PC. |
| 56 | | | 525711-1 | FIELD ASS'Y 115V | 1 | PC. |
| | | INC. | 654020-2 | RING TERMINAL | 2 | PC. |
| | | INC. | 654501-6 | CONNECTOR P-1.25 | 2 | PC. |
| 57 | 3 | | 266056-5 | TAPPING SCREW 5X45 | 2 | PC. |
| 59 | 1 | | 191963-2 | CARBON BRUSH CB-303 2PC/SET (W/O ORIGIN) -N/L/A | 1 | SET |
| | 2 | | 194996-6 | CARBON BRUSH CB-303 2PC/SET (W/ORIGIN) | 1 | SET |
| 60 | | | 643750-0 | BRUSH HOLDER CAP | 2 | PC. |
| 61 | | | 154498-4 | MOTOR HOUSING COMPLETE | 1 | PC. |
| | | INC. | 643708-9 | BRUSH HOLDER 5-11 | 2 | PC. |
| 64 | | | 183920-4 | HANDLE SET | 1 | SET |
| 65 | | | 650543-8 | SWITCH TG843TB-1 | 1 | PC. |
| 68 | | | 687063-9 | STRAIN RELIEF | 1 | PC. |
| 69 | | | 265995-6 | TAPPING SCREW 4X18 | 2 | PC. |
| 70 | 1 | | 682572-3 | * CORD GUARD 8 (For 9A Model) | 1 | PC. |
| | 2 | | 682573-1 | * CORD GUARD 10 | 1 | PC. |
| 71 | 1 | | 664891-9 | * CORD WITH PLUG 2P-18-2.5M SJ (For 9A Model) | 1 | PC. |
| | 2 | | 664265-4 | * CORD WITH PLUG 2P-16-2.5M, SJ | 1 | PC. |
| 73 | | | 265995-6 | TAPPING SCREW 4X18 | 5 | PC. |
| 74 | | | 125523-8 | * GEAR HOUSING COVER ASSY | 1 | PC. |
| | | INC. | | * Item No. 3 - 15, 18 & 19, 22 & 23 & 25 - 32 | 1 | PC. |
| ACCESSORIES | | | | - See catalogue or visit www.makita.ca for more optional accessories - | | |
| A01 | 1 | | 824734-9 | * PLASTIC CARRYING CASE | 1 | PC. |
| | | INC. | 417724-5 | * LATCH | 2 | PC. |
| | 2 | | 821621-3 | * PLASTIC CARRYING CASE | 1 | PC. |
| | | INC. | 162315-4 | * LATCH | 2 | PC. |
| A02 | 1 | | 193572-3 | RECIPRO SAW BLADE 3PC/SET - N/L/A | 1 | SET |
| | 2 | | 194068-7 | RECIPRO SAW BLADE 2PC/SET | 1 | SET |
| | | | 723054-A-5 | RECIPRO SAW BLADE BIM 6T-6" (JR3050TY) | 1 | PC. |
| A03 | | | 310285-3X1 | BLADE CLAMP KIT (See Partsbreakdown 310285-3X1) | 1 | PC. |
| A04 | | | 195929-4 | BLADE CLAMP KIT (See Partsbreakdown 195929-4) | 1 | PC. |

SERVICE CHANGES:

1. CHANGES ON PROTECTOR & DRIVING SLEEVE

| Item No. | Description | TYPE 1 | TYPE 2 |
|----------|----------------|------------------|----------|
| 3 | PROTECTOR | 421894-4 (N/L/A) | 424147-0 |
| 5 | DRIVING SLEEVE | 310160-3 | 310285-3 |

Above parts are interchangeable as a set. (T/I# 81159)

2. CHANGES ON RETAINING RING & GUIDE SLEEVE

| Item No. | Description | TYPE 1 | TYPE 2 |
|----------|----------------|-----------------|--------------|
| 4 | RETAINING RING | 961078-7 (S-18) | 257952-8 (S) |
| 9 | GUIDE SLEEVE | 331639-1 | 331720-8 |

Above parts are interchangeable as a set. (T/I# 75599)

**3. CHANGES ON ARMATURE, CORD & CORD GUARD
(THE CHANGE OF RATED AMPERAGE FROM 9A TO 11A)**

| Item No. | Description | TYPE 1 | TYPE 2 |
|----------|-------------|----------|----------|
| 52 | ARMATURE | 513596-7 | 518682-9 |
| 70 | CORD W/PLUG | 664891-9 | 664265-4 |
| 71 | CORD GUARD | 682572-3 | 682573-1 |

Above parts are interchangeable as a set.* (T/I# 95579, 96096)

TYPE 1 Parts can use with the 9A Model (Serial No. ~ 845732)

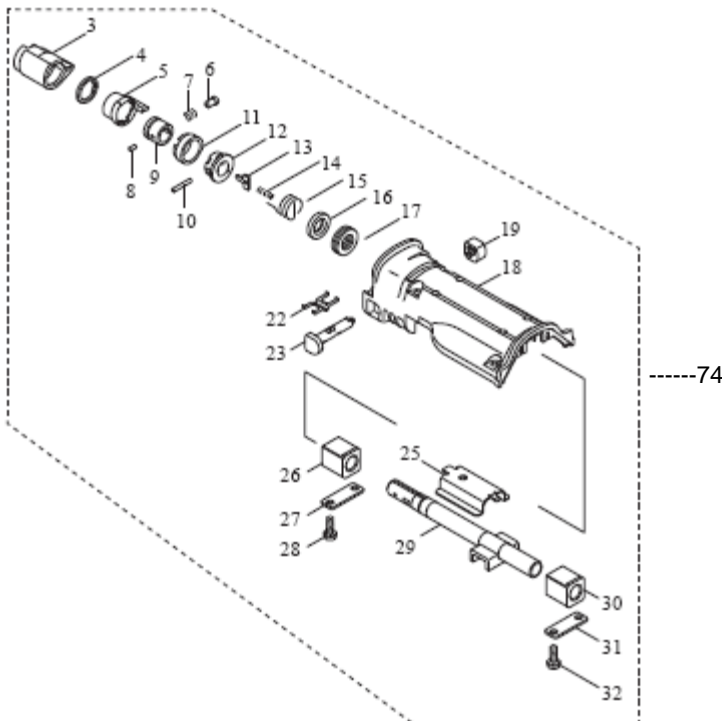
TYPE 2 Parts can use with the 9A and 11A Model (Serial No. 845733 ~)

* DO NOT USE TYPE 1 CORD/ CORD GUARD (9A) with TYPE 2 ARMATURE (11A)

4. ADDITION OF 125523-8 GEAR HOUSING COVER ASSY

| Item No. | Description | Part No. |
|----------|-------------------------|----------|
| 74 | GEAR HOUSING COVER ASSY | 125523-8 |

(T/I# Y06106)



*Apply 12g of Makita Grease FA No.2 when assembling.

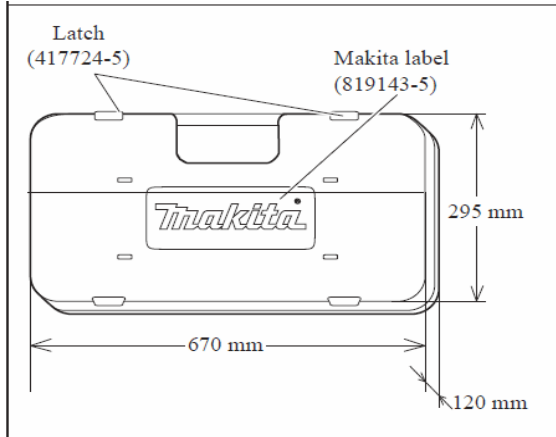
5. CHANGES ON PLASTIC CARRYING CASE

| Item No. | Description | TYPE 1 | TYPE 2 |
|----------|-----------------------|----------------|----------|
| A01 | Plastic carrying case | 824734-9 | 821621-3 |
| INC. | Latch | 417724-5 | 162315-4 |
| INC. | Makita label | 819143-5 (N/A) | ----- |

Above parts are interchangeable as a set.*

(T/I# A4241)

TYPE 1



TYPE 2

