

RYOBI JIG SAW – MODEL NUMBER JS550L

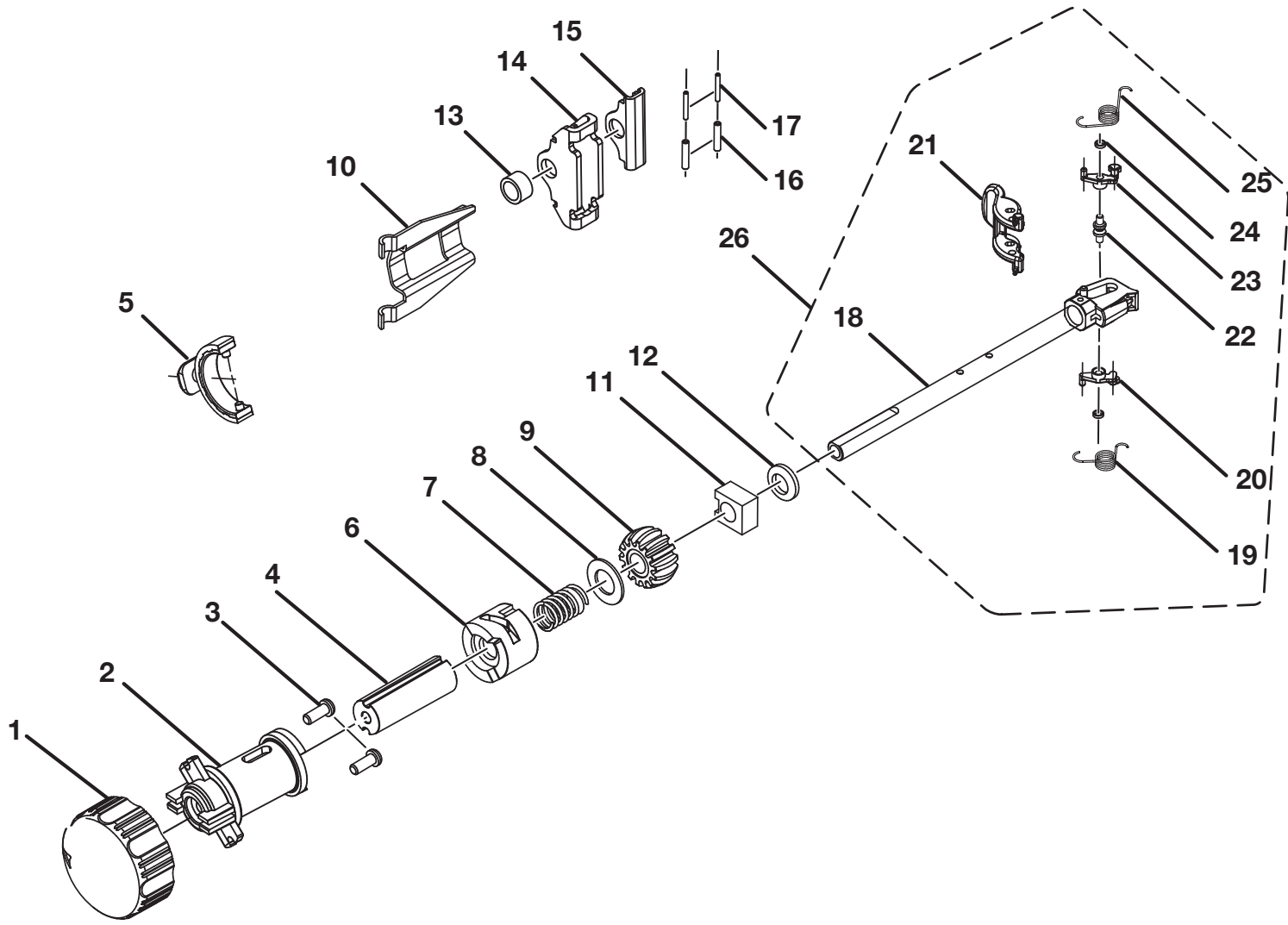


Figure A

## RYOBI JIG SAW – MODEL NUMBER JS550L

The model number will be found on a label attached to the motor housing. Always mention the model number in all correspondence regarding your **JIG SAW** or when ordering repair parts.

### PARTS LIST

KEY NO.	PART NUMBER	DESCRIPTION	QTY	KEY NO.	PART NUMBER	DESCRIPTION	QTY
1	511772001	SCROLLING COVER.....	1	14	631303001	SAW BAR SLIDE BRACKET .....	1
2	640770001	SCROLLING .....	1	15	631304001	CROSS SLIDE BRACKET.....	1
3	660206025	SCREW (M3.5 X 10 mm PAN HD.) .....	2	16	690072002	SPRING PIN .....	2
4	671142002	SAW BAR GUIDE BUSHING .....	1	17	690072003	SPRING PIN .....	2
5	301011001	SCROLLING RELEASE KNOB ASSEMBLY.....	1	18	300877007	SAW BAR .....	1
6	511773001	SCROLLING RELEASE BLOCK .....	1	19	691966001	COIL SPRING .....	1
7	671146001	SPRING .....	1	20	690377003	LINKAGE ARM (RIGHT SCM440).....	1
8	680436006	WASHER .....	1	21	511826003	BLADE CLAMP LEVER.....	1
9	300306016	HEAT SINK ASSEMBLY .....	1	22	671318001	ROLLER.....	1
10	630845001	SLIDE GUIDE PLATE .....	1	23	690377004	LINKAGE ARM (LEFT SCM440) .....	1
11	680899001	BEARING SLEEVE.....	1	24	671319001	E-RING .....	2
12	550427001	WASHER .....	1	25	691965001	COIL SPRING.....	1
13	671038001	BEARING SLEEVE.....	1	26	301007002	SAW BAR & BLADE CLAMP ASSEMBLY (INC. KEY NOS. 18-25).....	1

**WARNING:** Improper repair of a double insulated tool can result in damage to the double insulation system possibly causing electrical shock or electrocution. Any repairs requiring disassembly of your tool requires safety testing and should only be performed by a Ryobi Authorized Service Center. For the service center nearest you call 1-800-525-2579.

RYOBI JIG SAW – MODEL NUMBER JS550L

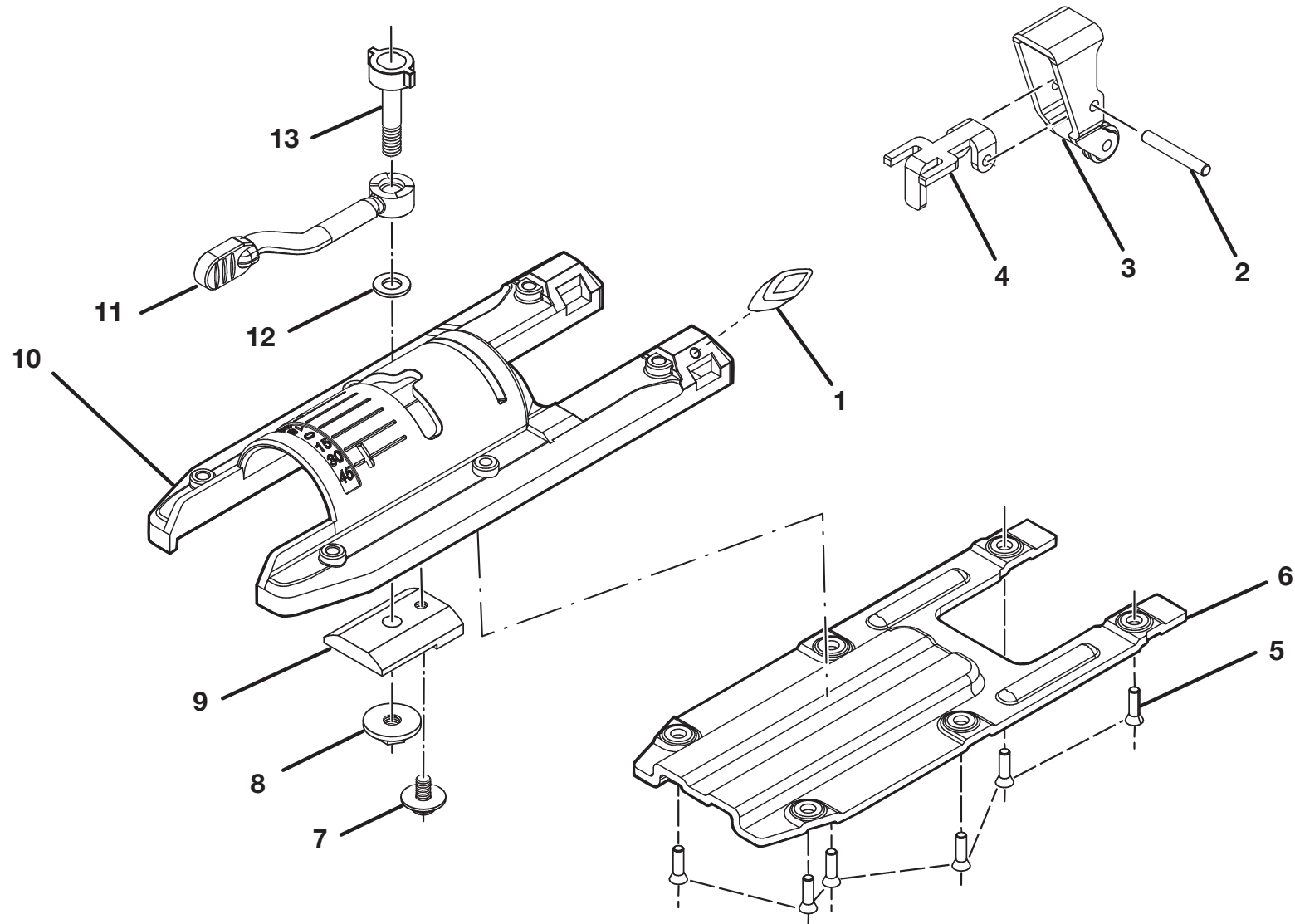


Figure B

## RYOBI JIG SAW – MODEL NUMBER JS550L

The model number will be found on a label attached to the motor housing. Always mention the model number in all correspondence regarding your **JIG SAW** or when ordering repair parts.

### PARTS LIST

KEY NO.	PART NUMBER	DESCRIPTION	QTY
1	301124001	KNOB BOLT ASSEMBLY .....	1
2	671143001	PIN STEEL .....	1
3	300577015	BLADE GUIDE ASSEMBLY .....	1
4	631082001	LINK ROD.....	1
5	660213008	SCREW (M4 X 10 mm FLAT HD.) .....	6
6	631109001	BASE COVER.....	1
7	660176006	SCREW (M4 X 8 mm) .....	1
8	631083001	FIX NUT (M5).....	1
9	671150001	ADJUSTABLE PAD .....	1
10	640783001	DIE CASTING BASE .....	1
11	301010001	BASE TOOL-LESS LEVER ASSEMBLY .....	1
12	678050001	FLAT WASHER .....	1
13	301008001	FIX WEDGE ASSEMBLY .....	1

**WARNING:** Improper repair of a double insulated tool can result in damage to the double insulation system possibly causing electrical shock or electrocution. Any repairs requiring disassembly of your tool requires safety testing and should only be performed by a Ryobi Authorized Service Center. For the service center nearest you call 1-800-525-2579.

RYOBI JIG SAW – MODEL NUMBER JS550L

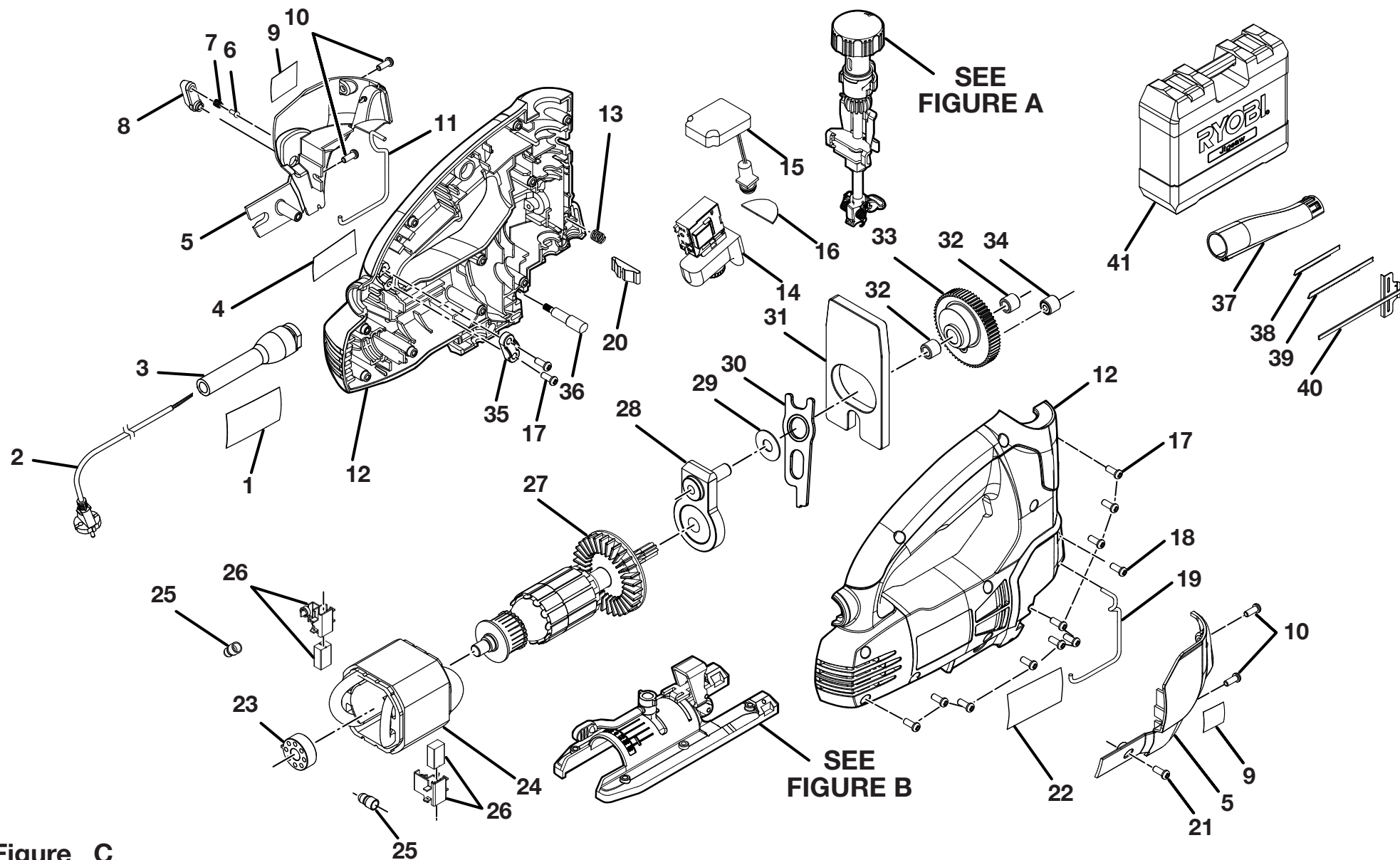


Figure C

## RYOBI JIG SAW – MODEL NUMBER JS550L

The model number will be found on a label attached to the motor housing. Always mention the model number in all correspondence regarding your **JIG SAW** or when ordering repair parts.

### PARTS LIST

KEY NO.	PART NUMBER	DESCRIPTION	QTY	KEY NO.	PART NUMBER	DESCRIPTION	QTY
1	940299683	CORD LABEL.....	1	23	680898001	SLEEVE BEARING .....	1
2	730377003	POWER CORD.....	1	24	740588001	FIELD.....	1
3	590274004	BEND RELIEF .....	1	25	790009001	CLOSE END CONNECTOR .....	2
4	940304062	LOGO LABEL.....	1	26	290069044	BRUSH ASSEMBLY .....	2
5	301320001	FRONT COVER ASSEMBLY .....	1	27	740589001	ARMATURE.....	1
6	550424001	DETENT BUTTON .....	1	28	300926005	BEARING PLATE ASSEMBLY .....	1
7	680909001	SPRING .....	1	29	630844001	WASHER.....	1
8	511774001	ORBITAL KNOB .....	1	30	301627001	DRIVE PLATE ASSEMBLY .....	1
9	940299682	DANGER LABEL FOR LASER .....	2	31	671008001	BALANCE BLOCK .....	1
10	660182008	SCREW (M6 X 12 mm PAN HD.).....	4	32	680911001	NEEDLE BEARING .....	2
11	671147003	GUIDE WIRE (LEFT).....	1	33	610388001	OUTPUT GEAR.....	1
12	200202329	HOUSING ASSEMBLY.....	1	34	300019002	BUSHING ASSEMBLY W/BEARING.....	1
13	671209002	SPRING FOR LASER.....	1	35	590501001	CORD CLAMP .....	1
14	760342001	SWITCH .....	1	36	671154001	ORBITAL ADJUSTABLE ROD .....	1
15	280013051	PCB ASSEMBLY .....	1	37	301009001	VACUUM ASSEMBLY .....	1
16	511824001	LENS .....	1	38	671208001	METAL CUTTING BLADE (18-24 TPI).....	1
17	6620805	SCREW (M4 X 16 mm PAN HD.).....	12	39	671207001	WOOD CUTTING BLADE (6-8 TPI).....	1
18	512963001	SCREW (M3 X 6 mm PAN HD.).....	1	40	631097001	EDGE GUIDE .....	1
19	671147002	GUIDE WIRE (RIGHT) .....	1	41	300912051	CARRYING CASE .....	1
20	631252001	SPRING PLATE.....	1		983000574	OPERATOR'S MANUAL (960223251)	
21	660165003	SCREW (M4 X 18 mm PAN HD.).....	1		11-11-10		
22	940301020	DATA LABEL.....	1		(REV:06)		

**WARNING: Improper repair of a double insulated tool can result in damage to the double insulation system possibly causing electrical shock or electrocution. Any repairs requiring disassembly of your tool requires safety testing and should only be performed by a Ryobi Authorized Service Center. For the service center nearest you call 1-800-525-2579.**