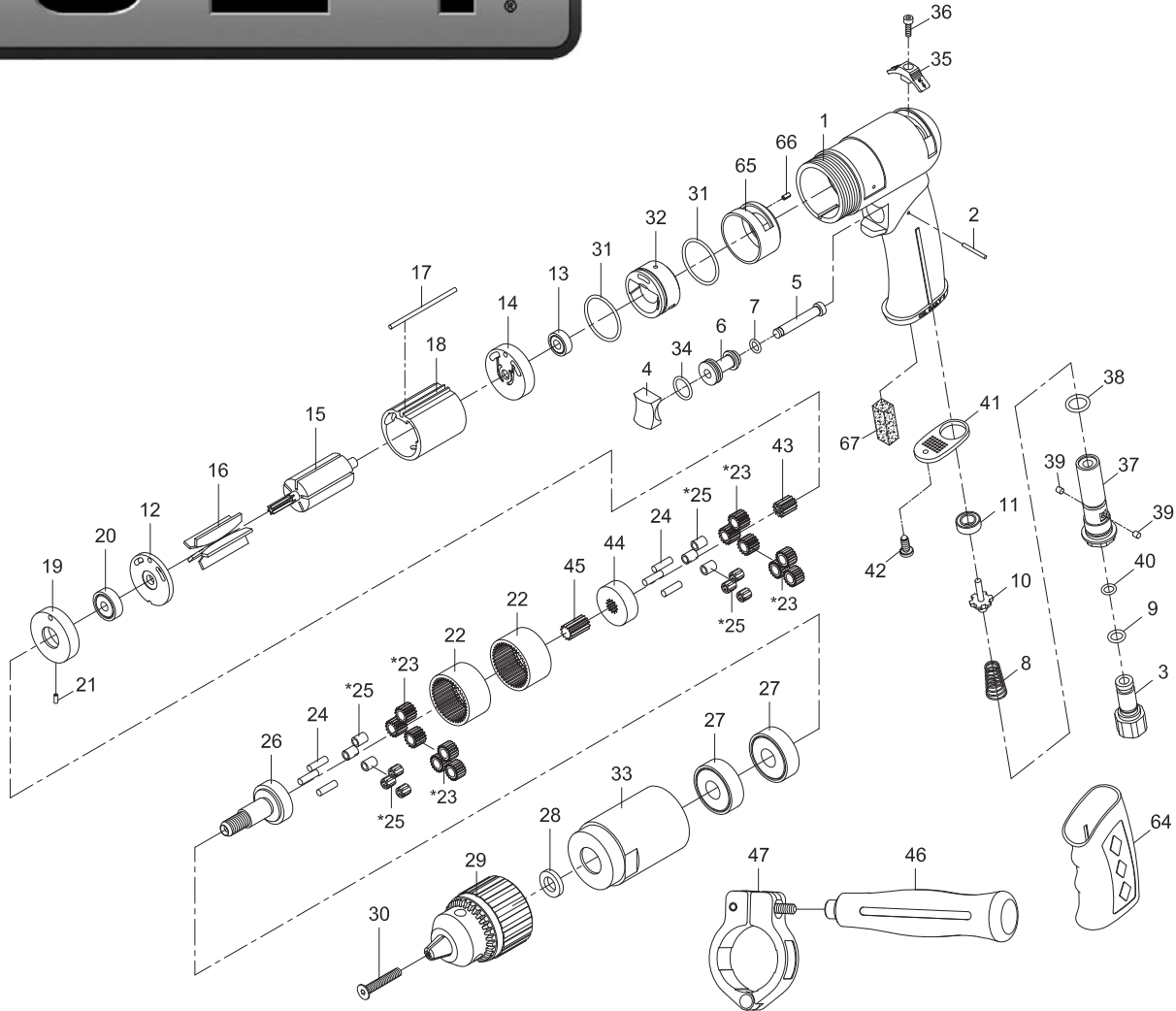




# JSM-7472

## 1/2" Reversible Drill

Stock No. JSM-7472



Index Part No	Description	Qty	
1.....	JSM7572-01 ..Motor Housing.....	1	
2.....	JSM7572-02 ..Pin (2x18.8).....	1	
3.....	JSM7572-03 ..Air Inlet.....	1	
4.....	JSM7572-04 ..Trigger .....	1	
5.....	JSM7572-05 ..Valve Stem.....	1	
6.....	JSM7572-06 ..Valve Bushing .....	1	
7.....	40333 .....	O-Ring (6x1.5).....	1
8.....	73108 .....	Spring .....	1
9.....	JSM5252-09 ..O-Ring (9.8x1.9).....	1	
10.....	JSM7572-146 Valve Stem.....	1	
11.....	JSM7572-145 Rubber Spacer.....	1	

Index Part No	Description	Qty	
12.....	80214 .....	End Plate .....	1
13.....	BB-696ZZ .....	Ball Bearing (696ZZ).....	1
14.....	JSM7572-14 ..Rear End Plate.....	1	
15.....	80215 .....	Rotor .....	1

Parts List continued on back

To order parts, call our service department at 800-274-6848 Monday through Friday (see our website for business hours, [www.jettools.com](http://www.jettools.com)). Having the Model Number and Serial Number will allow us to serve you quickly and accurately.

**JET**  
 427 New Sanford Road  
 LaVergne, Tennessee 37086  
 Ph.: 800-274-6848  
[www.jettools.com](http://www.jettools.com)

**Part No. M-JSM-7472**  
 Revision C2 06/2014  
 Copyright © 2014 JET, a Division of JPW Industries, Inc.

Index Part No	Description	Qty	Index Part No	Description	Qty
16	JSM7572-16 ..Rotor Blades (5)	5	34	80209 ..O-Ring (12x1.5)	1
17	JSM7572-17 ..Pin (2.5x55)	1	35	JSM7572-35 ..Reversing Valve Knob	1
18	JSM7572-18 ..Cylinder	1	36	JSM7572-36 ..Screw (M3x10)	1
19	JSM7572-19 ..Front End Plate	1	37	JSM7572-37 ..Fixed Shaft	1
20	BB-626ZZ ..Ball Bearing (626ZZ)	1	38	JSM7572-38 ..O-Ring (10.8x2)	2
21	70117 ..Spring Pin (2x5)	1	39	JSM7572-39 ..Pin (3x3)	2
22	80222 ..Internal Gear	1	40	JSM3330-46 ..O-Ring (7.5x1.5)	1
* 23	70423-11 ..Planet Gear	6	41	JSM7572-41 ..Exhaust Diffuser	1
	70423-14 ..Planet Gear	6	42	JSM7572-42 ..Screw (TS2.9)	1
24	30124 ..Pin (4x13.8)	6	43	SM-70420 ..Pinion Gear	1
* 25	70425 ..Bushing	6	44	SM-70427 ..Reduction Spindle	1
	70428 ..Needle Bearing (4x6x8)	6	45	SM-70421 ..Center Gear	1
26	SM-70426 ..Work Spindle	1	46	JSM7472-46 ..Handle	1
27	BB-6201Z ..Ball Bearing (6201Z)	2	47	JSM7472-47 ..Retainer	1
28	70133 ..Washer	1	64	JSM7572-64 ..Rubber Grip	1
29	JSM7472-29 ..1/2" Drill Chuck	1	65	JSM7572-65 ..Reverse Valve Cage	1
	JSM7472-29KEY ..1/2" Drill Chuck Key (not shown)	1	66	JSM5430-42 ..Spring Pin (2x4)	1
30	JSM7472-30 ..Chuck Screw (M5x30)	1	67	JSM7572-67 ..Damping Material	1
31	JSM3330-49 ..O-Ring (26.7x1.78)	2			
32	JSM7572-32 ..Reversing Valve	1		RPK-7572 ..Repair Kit <sup>1</sup>	
33	SM-70436 ..Clamp Nut	1		RBK-7472 ..Rebuild Kit <sup>2</sup>	

<sup>1</sup> Contains Index No.'s 7, 16, 31, 34, 38

<sup>2</sup> Contains Index No.'s 14, 17, 18, 19, 23, 25

## Specifications

Stock Number	JSM-7472
Reversible	yes
Chuck Size (in.)	1/2
Chuck Type	Jacobs standard chuck
Spindle Thread (in./TPI)	3/8-24
Horsepower (HP)	1/2
Free Speed (RPM)	800
Average Air Consumption (CFM)	4
Air Inlet (in.)	1/4
Air Hose Inside Diameter (in.)	3/8
Overall Length (in.)	8.8
Vibration Value (m/s <sup>2</sup> )	0.4
Net Weight (lbs)	2.9