



Operating Instructions and Parts Manual

15-inch Thickness Planer

Models JWP-15DX and JWP-15HH

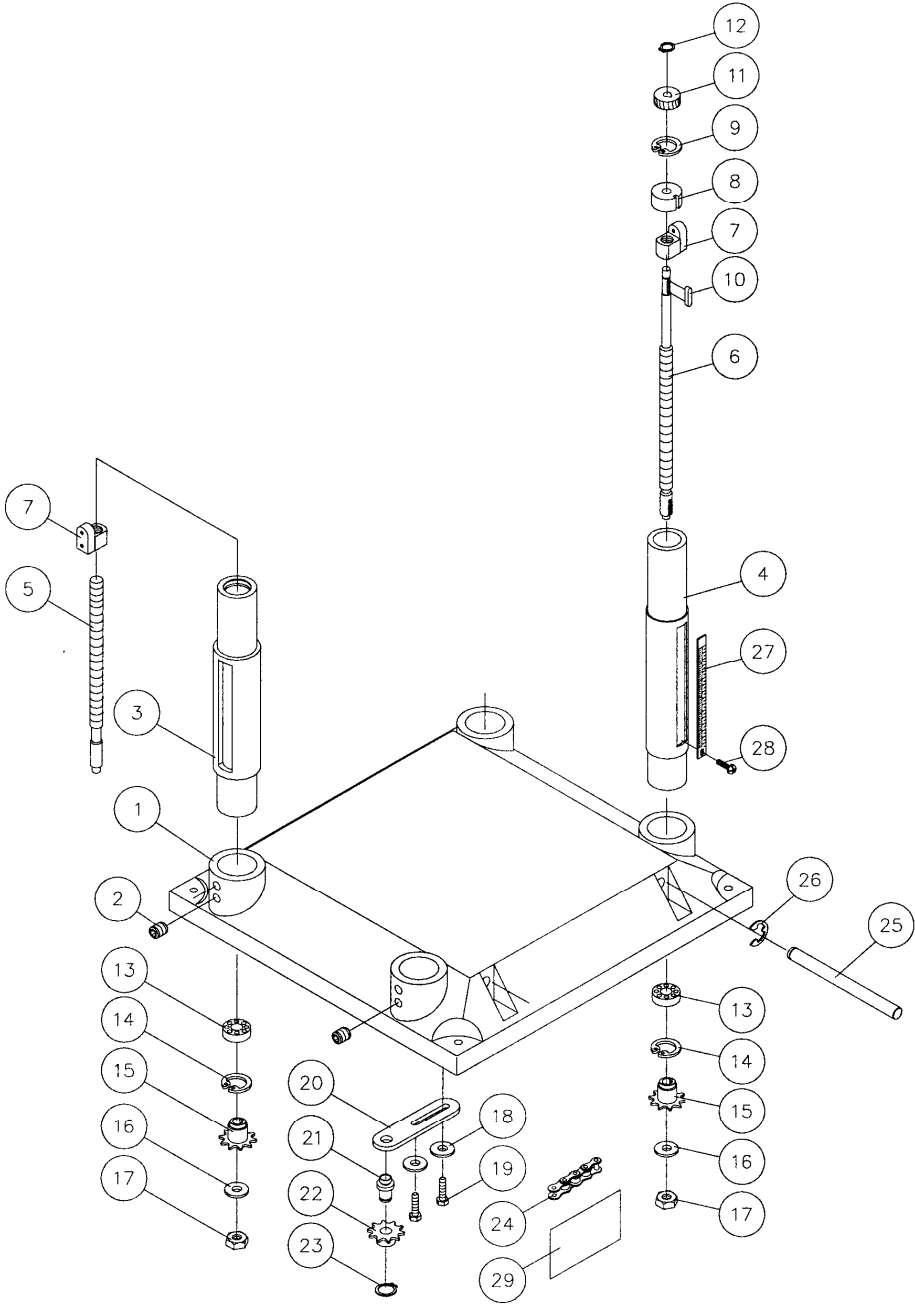


JET

427 New Sanford Road
LaVergne, Tennessee 37086
Ph.: 800-274-6848
www.jettools.com

Part No. M-708538
Revision D 08/2014
Copyright © 2014 JET

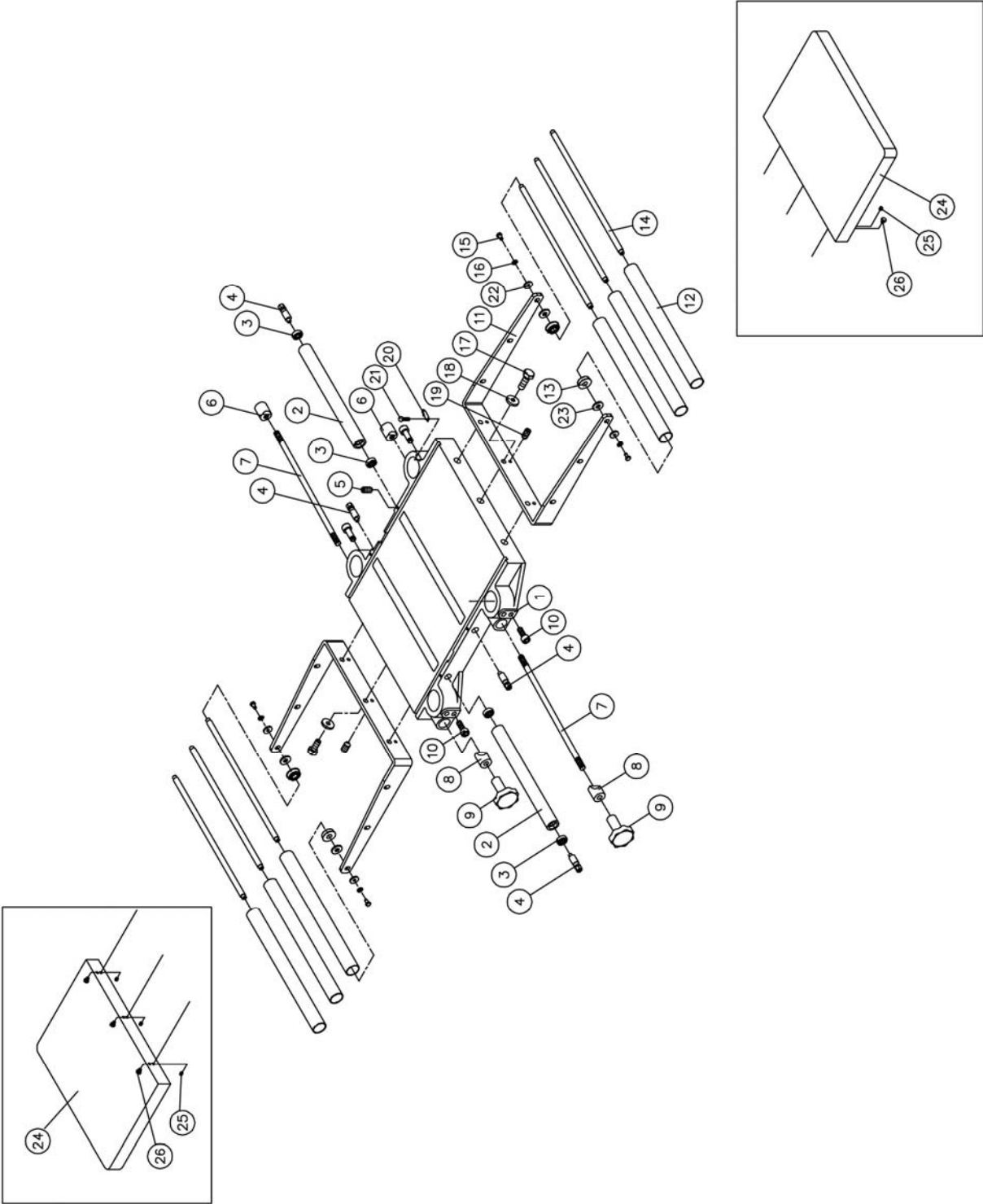
12.1.1 Base Assembly – Exploded View



12.1.2 Base Assembly – Parts List

| Index No. | Part No. | Description | Size | Qty |
|-----------|------------|----------------|-----------|-----|
| 1 | JWP15H-201 | Base | | 1 |
| 2 | TS-1525021 | Set Screw | M10x12 | 8 |
| 3 | JWP15H-203 | Column | | 3 |
| 4 | JWP15H-204 | Column | | 1 |
| 5 | JWP15H-205 | Lead Screw | | 3 |
| 6 | JWP15H-206 | Lead Screw | | 1 |
| 7 | JWP15H-207 | Nut | | 4 |
| 8 | JWP15H-208 | Bushing | | 1 |
| 9 | JWP15H-209 | Retaining Ring | RTW-38 | 1 |
| 10 | JWP15H-210 | Key | 4x4x10 | 1 |
| 11 | JWP15H-211 | Gear | | 1 |
| 12 | JWP15H-212 | Retaining Ring | STW-10 | 1 |
| 13 | BB-6202Z | Ball Bearing | 6202Z | 4 |
| 14 | JWP15H-214 | Retaining Ring | RTW-35 | 4 |
| 15 | JWP15H-216 | Sprocket | | 4 |
| 16 | TS-1550071 | Washer | M10 | 4 |
| 17 | TS-1540072 | Nut | M10x1.25P | 4 |
| 18 | TS-1550061 | Washer | M8 | 2 |
| 19 | TS-1490041 | Hex Cap Screw | M8x25 | 2 |
| 20 | JWP15H-221 | Bracket | | 1 |
| 21 | JWP15H-222 | Shaft | | 1 |
| 22 | JWP15H-223 | Sprocket | | 1 |
| 23 | JWP15H-224 | Retaining Ring | STW-15 | 1 |
| 24 | JWP15H-225 | Chain | | 1 |
| 25 | JWP15H-226 | Lifting Handle | | 4 |
| 26 | JWP15H-227 | E-Clip | ETW-12 | 4 |
| 27 | JWP15H-228 | Scale | | 1 |
| 28 | TS-1531012 | Screw | M3x6 | 1 |
| 29 | PJE-B01 | I.D. Label | | 1 |

12.2.1 Table Assembly – Exploded View



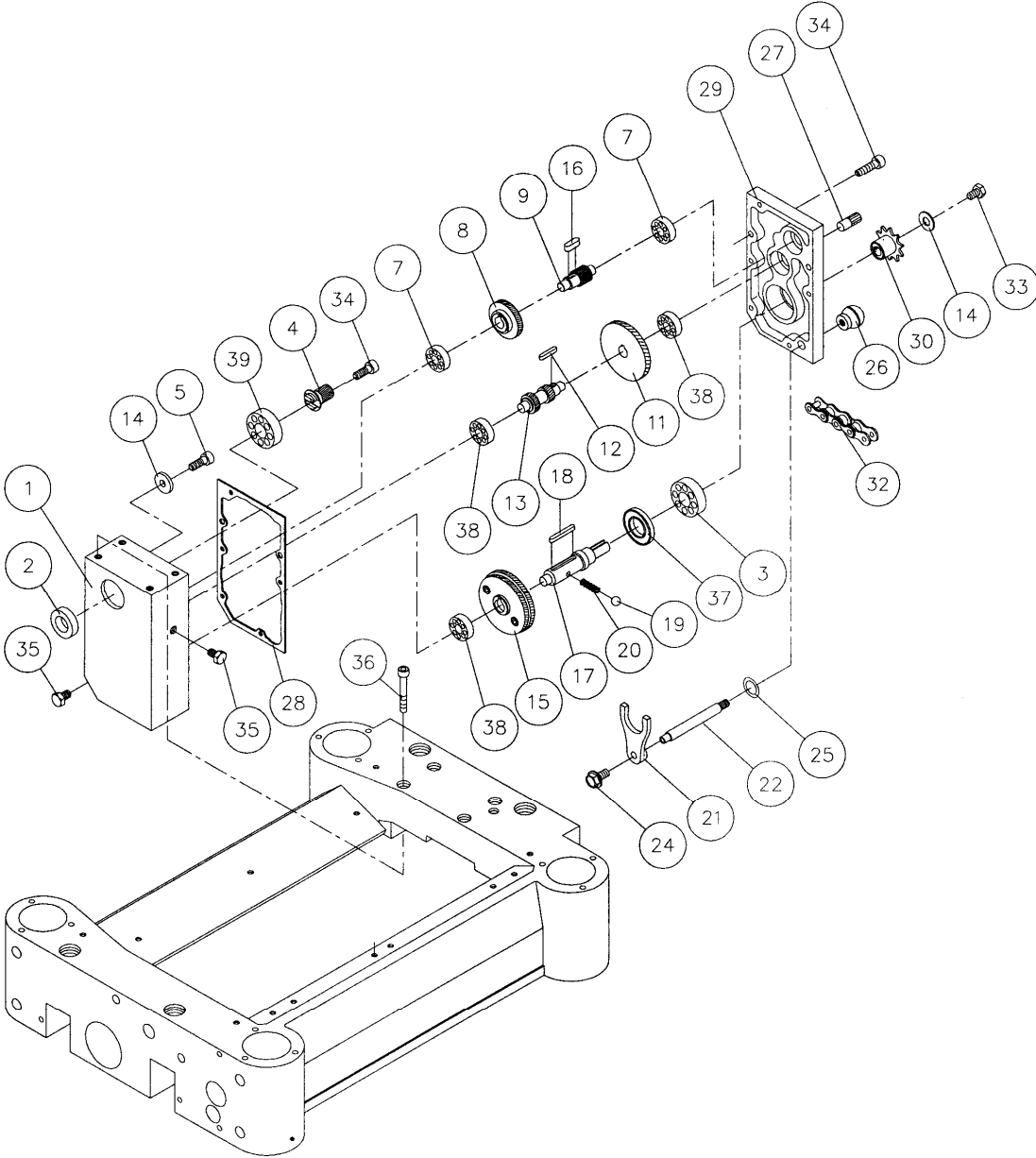
12.2.2 Table Assembly – Parts List

| Index No. | Part No. | Description | Size | Qty |
|-----------|-------------|-----------------------|-------|-----|
| 1 | JWP15H-101 | Middle Table | | 1 |
| 2 | JWP15H-102 | Roller | | 2 |
| 3 | BB-608Z | Ball Bearing | 608Z | 4 |
| 4 | JWP15H-104 | Eccentric Shaft | | 4 |
| 5 | TS-1523041 | Set Screw | M6x12 | 4 |
| 6 | JWP15H-106 | Threaded Lock Bushing | | 2 |
| 7 | JWP15H-107 | Lock Bolt | | 2 |
| 8 | JWP15H-108 | Lock Bushing | | 2 |
| 9 | JWP15H-109 | Knob | | 2 |
| 10 | TS-1503051 | Socket Head Cap Screw | M6x20 | 8 |
| 11 | PJ020801 | Roller Frame* | | 2 |
| 12 | JWP15H-112 | Roller* | | 6 |
| 13 | JWP15H-113 | Roller Bushing* | | 12 |
| 14 | JWP15DX-114 | Shaft* | | 6 |
| 15 | TS-1482021 | Hex Cap Screw* | M6x12 | 12 |
| 16 | TS-2361061 | Lock Washer* | M6 | 12 |
| 17 | TS-1490031 | Hex Cap Screw* | M8x20 | 6 |
| 18 | TS-1550061 | Washer* | M8 | 6 |
| 19 | TS-1524031 | Set Screw* | M8x12 | 6 |
| 20 | JWP15H-230 | Cut Limit Pointer | | 1 |
| 21 | JWP15H-231 | Rivet | 2x5 | 2 |
| 22 | TS-1550041 | Flat Washer* | M6 | 12 |
| 23 | TS-1550071 | Flat Washer* | M10 | 12 |
| 24 | JWP15HH-124 | Extension Table** | | 2 |
| 25 | TS-1524051 | Socket Set Screw** | M8x20 | 6 |
| 26 | TS-1490041 | Hex Cap Screw** | M8x25 | 6 |

* Index #11 thru 19, 22 and 23 are used only on model JWP-15DX

** Index # 24, 25 and 26 are used only on model JWP-15HH

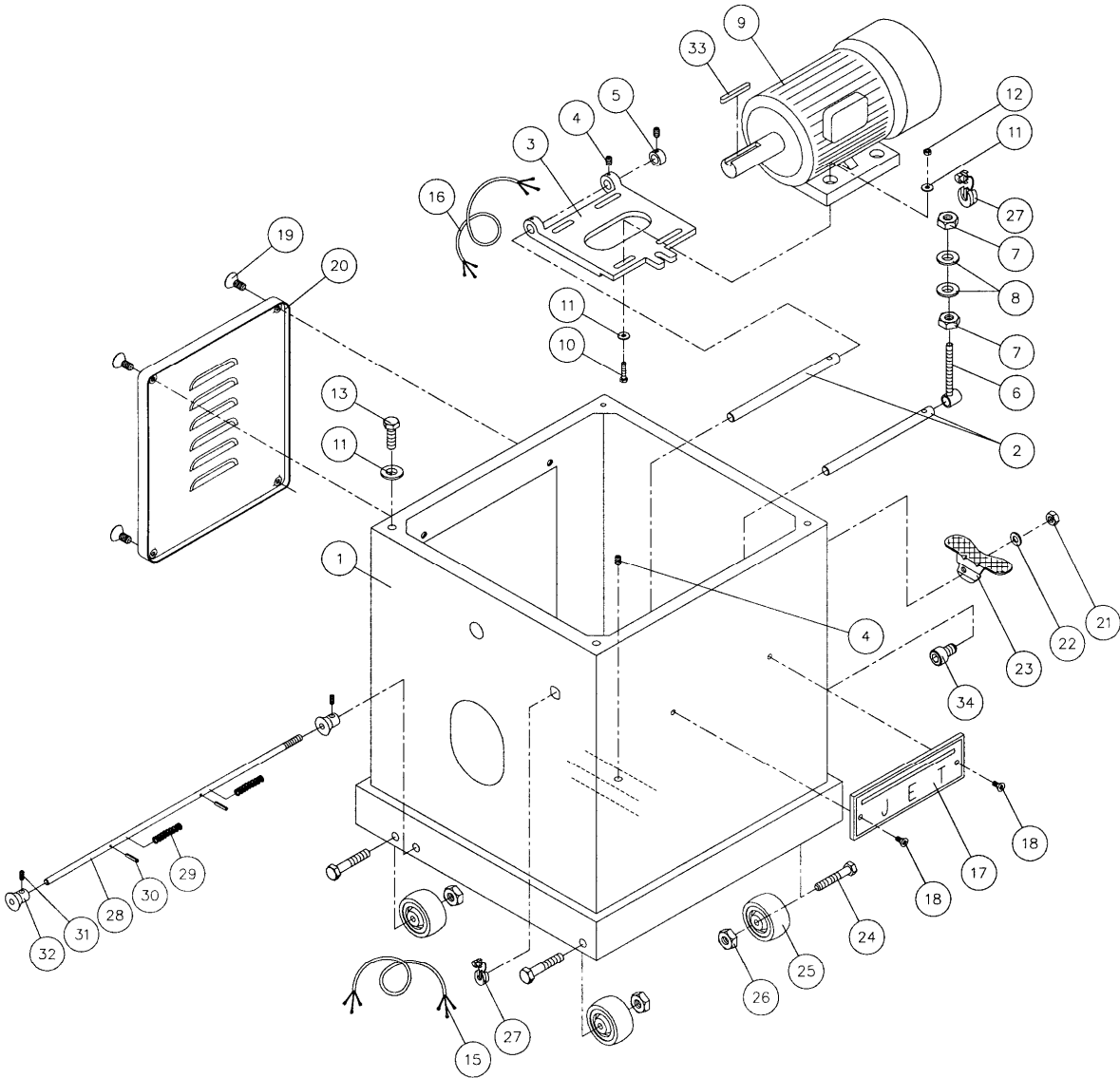
12.3.1 Gear Box Assembly – Exploded View



12.3.2 Gear Box Assembly – Parts List

| Index No. | Part No. | Description | Size | Qty |
|-----------|-------------|-----------------------|----------|-----|
| 1 | JWP15H-301 | Gear Box | | 1 |
| 2 | 6284843 | Oil Seal | | 1 |
| 3 | BB-6204Z | Ball Bearing | 6204Z | 1 |
| 4 | JWP15H-304 | Gear | 16T | 1 |
| 5 | TS-1503031 | Socket Head Cap Screw | M6x12 | 1 |
| 7 | BB-6201 | Ball Bearing | 6201 | 2 |
| 8 | JWP15H-309 | Gear | 47T | 1 |
| 9 | JWP15H-310 | Shaft | 18T | 1 |
| 11 | JWP15H-312 | Gear | 71T | 1 |
| 12 | JWP15H-313 | Key | 5x5x10 | 1 |
| 13 | JWP15H-314 | Shaft | 18T, 22T | 1 |
| 14 | TS-1550041 | Washer | M6 | 2 |
| 15 | JWP15H-317 | Gear Assembly | 96T/92T | 1 |
| 16 | 6292768 | Key | 5x5x12 | 1 |
| 17 | JWP15H-323 | Shaft | | 1 |
| 18 | JWP15H-320 | Key | 6x6x40 | 1 |
| 19 | JWP15H-321 | Ball | | 1 |
| 20 | JWP15H-322 | Spring | | 1 |
| 21 | JWP15H-329 | Clutch | | 1 |
| 22 | JWP15H-330 | Handle | | 1 |
| 24 | JWP208-038A | Hex Washer Head Screw | M6x12 | 1 |
| 25 | JWP15H-333 | Oil Seal | | 1 |
| 26 | JWP15H-334 | Knob | | 1 |
| 27 | JWP15H-335 | Pin | | 2 |
| 28 | JWP15H-336 | Gasket | | 1 |
| 29 | JWP15H-337 | Cover | | 1 |
| 30 | JWP15H-325 | Sprocket | 12T | 1 |
| 32 | JWP15H-327 | Chain | | 1 |
| 33 | TS-1482031 | Hex Cap Screw | M6x16 | 1 |
| 34 | TS-1503061 | Socket Head Cap Screw | M6x25 | 5 |
| 35 | JWP15H-339 | Oil Plug | | 2 |
| 36 | TS-1504101 | Socket Head Cap Screw | M8x50 | 4 |
| 37 | OS-25476 | Oil Seal | | 1 |
| 38 | BB-6201Z | Ball Bearing | 6201Z | 3 |
| 39 | BB-6204ZZ | Ball Bearing | 6204ZZ | 1 |

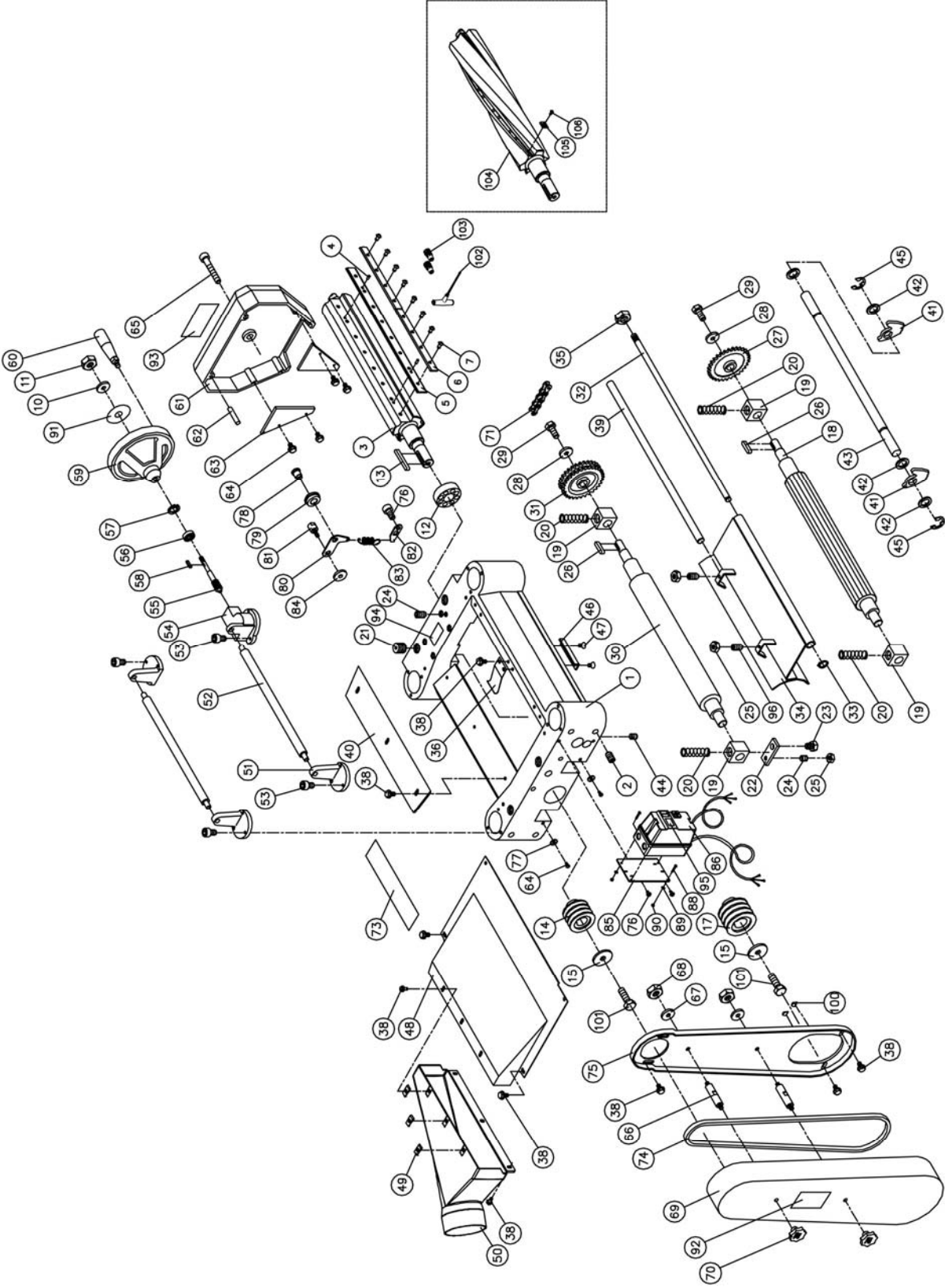
12.4.1 Stand and Motor Assembly – Exploded View



12.4.2 Stand and Motor Assembly – Parts List

| Index No. | Part No. | Description | Size | Qty |
|-----------|------------|-----------------------|--------------|-----|
| 1 | PJN-S01 | Base | | 1 |
| 2 | JWP15H-404 | Support Bar | | 2 |
| 3 | JWP15H-406 | Motor Mount | | 1 |
| 4 | TS-1523011 | Set Screw | M6x6 | 4 |
| 5 | JWP15H-408 | Collar | | 1 |
| 6 | JWP15H-409 | Adjusting Bolt | | 1 |
| 7 | TS-1540072 | Nut | M10x1.25P | 2 |
| 8 | TS-0680061 | Washer | 1/2 | 2 |
| 9 | JWP15H-412 | Motor | 3HP | 1 |
| 10 | TS-1490051 | Hex Cap Screw | M8x30 | 4 |
| 11 | TS-1550061 | Washer | M8 | 12 |
| 12 | TS-1540061 | Hex Nut | M8 | 4 |
| 13 | TS-1490081 | Hex Cap Screw | M8x45 | 4 |
| 15 | JWP15H-418 | Power Cable | | 1 |
| 16 | PAG-M02 | Motor Cable | | 1 |
| 17 | PG-M02 | Jet Plaque | | 1 |
| 18 | TS-2245081 | Flat Head Screw | M5x8 | 2 |
| 19 | TS-2286201 | Flat Head Screw | M6x20 | 4 |
| 20 | PJH-S02 | Door | | 1 |
| 21 | TS-1540071 | Hex Nut | M10 | 1 |
| 22 | TS-1550071 | Flat Washer | M10 | 1 |
| 23 | PJN-S02 | Foot Brake | | 1 |
| 24 | TS-0060111 | Hex Cap Screw | 3/8-16x2-1/2 | 4 |
| 25 | PG-M05 | Wheel | | 4 |
| 26 | TS-0561031 | Hex Nut | 3/8-16 | 4 |
| 27 | 5MA-L05 | Strain Relief Bushing | | 2 |
| 28 | PJN-S03 | Shaft | | 1 |
| 29 | PG010033 | Spring | | 2 |
| 30 | HG010911 | Spring Pin | 4x20 | 2 |
| 31 | TS-1523011 | Set Screw | M6x6 | 2 |
| 32 | PJN-S04 | Eccentric Cam | | 2 |
| 33 | 5FK-C13A | Key | 5x5x30 | 1 |
| 34 | TS-1503031 | Socket Head Cap Screw | M6x12 | 1 |

12.5.1 Head Assembly – Exploded View



12.5.2 Head Assembly – Parts List

| Index No. | Part No. | Description | Size | Qty |
|-----------|-------------|--|-------------|-----|
| 1 | JWP15H-001 | Head Casting | | 1 |
| 2 | TS-1525021 | Set Screw | M10x12 | 8 |
| | JWP15DX-CA | Cutter Head Assembly (Index #3 thru #7)* | | 1 |
| 3 | JWP15DX-003 | Cutter Head* | | 1 |
| 4 | JWP15DX-004 | Pin* | | 6 |
| 5 | 708817 | Knives (Set of 3)* | | 1 |
| 6 | JWP15DX-006 | Knife Bar* | | 6 |
| 7 | TS-2246122 | Button Head Socket Screw* | M6x12 | 24 |
| 10 | TS-1550071 | Washer | M10 | 1 |
| 11 | TS-1540072 | Hex Nut | M10x1.25P | 1 |
| 12 | BB-6205ZZ | Ball Bearing | 6205ZZ | 1 |
| 13 | JWP15DX-013 | Key | 8x8x36 | 1 |
| 14 | JWP15H-014 | Machine Pulley | | 1 |
| 15 | JWP15H-015 | Washer | | 2 |
| 17 | JWP15H-017 | Motor Pulley | | 1 |
| 18 | JWP15H-018 | Infeed Roller | | 1 |
| 19 | JWP15H-019 | Bushing | | 4 |
| 20 | JWP15H-020 | Spring | | 4 |
| 21 | JWP15H-021 | Set Screw | M22x1.5Px20 | 4 |
| 22 | JWP15H-022 | Plate | | 4 |
| 23 | TS-1490031 | Hex Cap Screw | M8x20 | 4 |
| 24 | TS-1523051 | Set Screw | M6x16 | 5 |
| 25 | TS-1540041 | Nut | M6 | 6 |
| 26 | JWP15H-026 | Key | 5x5x22 | 2 |
| 27 | JWP15H-027 | Sprocket | | 1 |
| 28 | TS-0680021 | Washer | 1/4 | 2 |
| 29 | TS-1482031 | Hex Cap Screw | M6x16 | 2 |
| 30 | JWP15H-030 | Outfeed Roller | | 1 |
| 31 | JWP15H-031 | Sprocket | | 1 |
| 32 | JWP15H-032 | Locking Bolt | | 1 |
| 33 | JWP15H-033 | Retaining Ring | STW-12 | 1 |
| 34 | JWP15H-034 | Chipbreaker | | 1 |
| 35 | TS-1540081 | Hex Nut | M12 | 1 |
| 36 | JWP15H-036 | Plate Spring | | 3 |
| 38 | JWP208-038A | Hex Washer Head Screw | M6x12 | 23 |
| 39 | JWP15H-039 | Shaft | | 1 |
| 40 | JWP15H-040 | Deflector Plate | | 1 |
| 41 | JWP15H-041 | Anti-Kickback Finger | | 39 |
| 42 | JWP15H-042 | Collar | | 40 |
| 43 | JWP15H-043 | Shaft | | 1 |
| 44 | TS-1524031 | Set Screw | M8x12 | 1 |
| 45 | JWP15H-045 | Retaining Ring | ETW-15 | 2 |
| 46 | JWP15H-046 | Limit Plate | | 1 |
| 47 | JWP208-053A | Flat Head Screw | M5x8 | 2 |
| 48 | JWP15H-048 | Upper Cover | | 1 |
| | JWP15DX-CHA | Collector Hood Assembly (Index #49, #50) | | 1 |
| 49 | JWP15DX-049 | Plate | | 3 |
| 50 | JWP15DX-050 | Collector Hood | | 1 |
| 51 | JWP15H-051 | Roller Stand | | 3 |
| 52 | JWP15H-052 | Roller | | 2 |
| 53 | TS-1503051 | Socket Head Cap Screw | M6x20 | 12 |
| 54 | JWP15H-054 | Worm Gear Box | | 1 |
| 55 | JWP15H-055 | Worm | | 1 |
| 56 | BB-6200Z | Ball Bearing | 6200Z | 1 |
| 57 | JWP15H-057 | Retaining Ring | RTW-30 | 1 |

* Index # 3, 4, 5, 6 and 7 are used only on straight cutterhead, model JWP-15DX

| | | | | |
|----------|--------------|---|--------------|----------|
| 58..... | JWP15H-058 | Key..... | 4x4x10 | 1 |
| 59..... | JWP15H-059 | Hand Wheel | | 1 |
| 60..... | JWP15H-060 | Handle..... | | 1 |
| 61..... | JWP15H-061 | Cover..... | | 1 |
| 62..... | JWP15H-062 | Spring Pin..... | | 2 |
| 63..... | PF-C22 | Plate..... | | 2 |
| 64..... | TS-1482021 | Hex Cap Screw | M6x12 | 8 |
| 65..... | TS-1504091 | Socket Head Cap Screw..... | M8x45 | 1 |
| 66..... | JWP15H-067 | Bolt..... | | 2 |
| 67..... | TS-0680031 | Washer..... | 5/16 | 2 |
| 68..... | TS-0561021 | Hex Nut..... | 5/16-18 | 2 |
| 69..... | JWP208-084 | Pulley Cover..... | | 1 |
| 70..... | JWP15H-072 | Knob..... | | 2 |
| 71..... | JWP15H-073 | Chain..... | | 1 |
| 73..... | PG-C05 | Label..... | | 1 |
| 74..... | VB-M59 | V-Belt..... | M-59 | 3 |
| 75..... | JWP208-079 | Pulley Guard..... | | 1 |
| 76..... | TS-1503021 | Socket Head Cap Screw..... | M6x10 | 4 |
| 77..... | PF-C26 | Washer..... | | 4 |
| 78..... | PA-C56 | Stud..... | | 1 |
| 79..... | PA-C57 | Idle Pulley..... | | 1 |
| 80..... | PA-C58 | Bracket..... | | 1 |
| 81..... | PA-C59 | Stud..... | | 1 |
| 82..... | PA-C60 | Hanger..... | | 1 |
| 83..... | PA-C61 | Spring..... | | 1 |
| 84..... | PA-C62 | Washer..... | | 1 |
| 85..... | JWP15H-076A | Switch Bracket..... | | 1 |
| 86..... | JWP15H-077A | Switch..... | | 1 |
| 88..... | TS-081C102 | Screw..... | #10-24X1-3/4 | 2 |
| 89..... | JWP15H-079 | Tooth Washer..... | | 2 |
| 90..... | TS-0560071 | Hex Nut..... | #10-24 | 2 |
| 91..... | PF-C27 | Direction Indicator Label..... | | 1 |
| 92..... | PA-C67 | Label..... | | 1 |
| 93..... | PA-G18-1 | Label..... | | 1 |
| 94..... | PA-C66 | Label..... | | 1 |
| 95..... | PJE-C04 | Label..... | | 1 |
| 96..... | TS-1523041 | Set Screw..... | M6x12 | 2 |
| 100..... | JWP15DX-100 | Pad..... | | 2 |
| 101..... | TS-1490041 | Hex Cap Screw..... | M8x25 | 2 |
| 102..... | JWP15DX-102 | T-Handle Wrench* | | 1 |
| 103..... | JWP13DX-079 | Magnet Tool Assembly* | | 2 |
| | 1791223 | Helical Cutterhead Assembly (index #104 through #106)** | | 1 |
| 104..... | JWP15HH-104 | Helical Cutterhead ** | | 1 |
| 105..... | 1791212 | Knife Insert (sold in set of 10)** | | 68 total |
| 106..... | JWP208HH-111 | Knife Insert Screw** | #10-32x1/2" | 68 |
| 107..... | JJ6HH-113 | Star Point Screwdriver (not shown)** | | 2 |

* Index #102 and 103 are used only on straight cutterhead, model JWP-15DX

** Index #104 thru 107 are used only on helical cutterhead, model JWP-15HH



427 New Sanford Road
LaVergne, Tennessee 37086
Phone: 800-274-6848
www.jettools.com