



Operating Instructions and Parts Manual Model JWS-25X Shaper

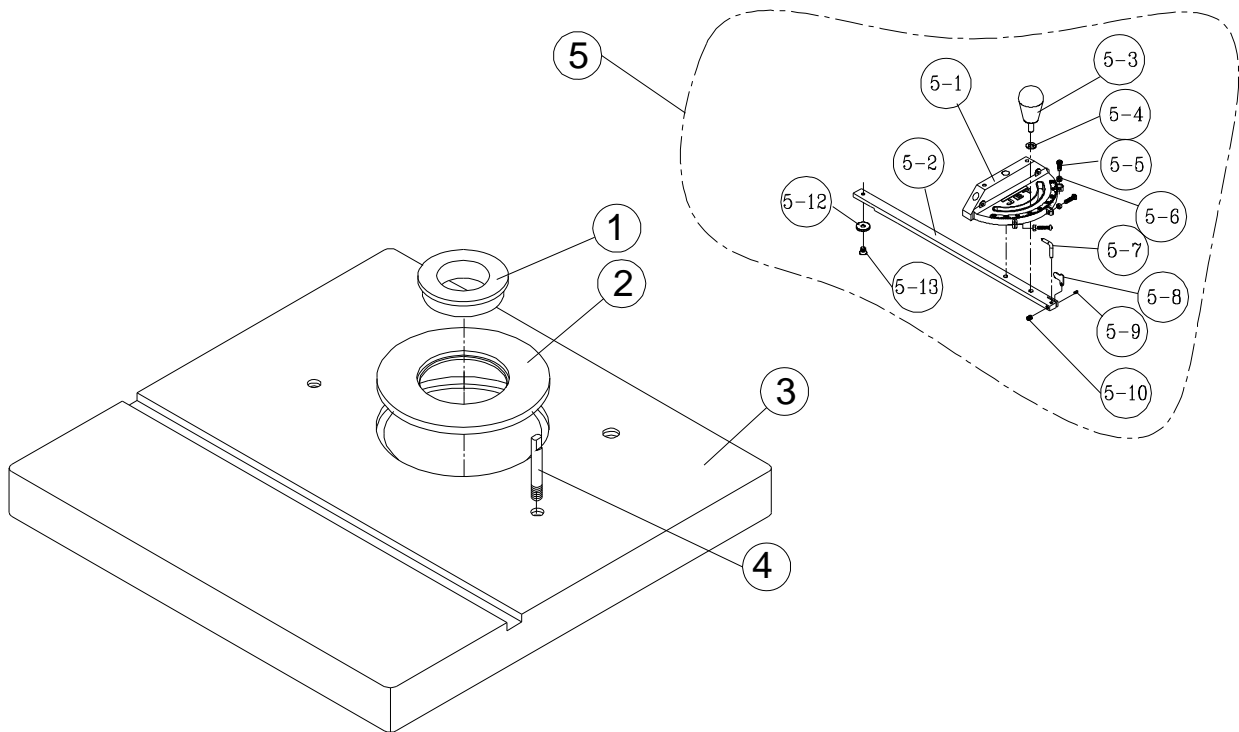


JET
427 New Sanford Road
LaVergne, Tennessee 37086
Ph.: 800-274-6848
www.jettools.com

Part No. M-708309
Revision A2 02/2014
Copyright © 2014 JET

Table – Parts and Assembly

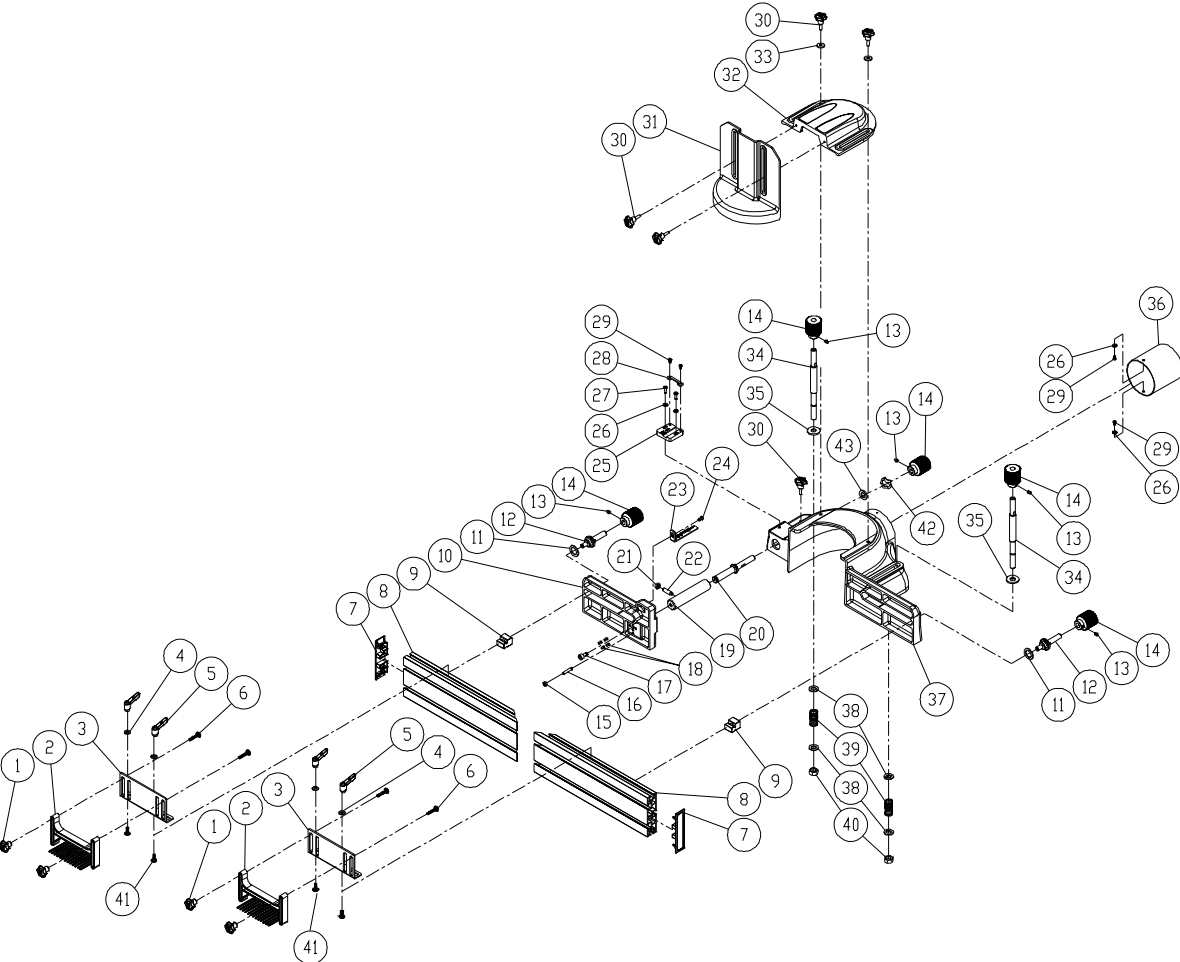
Index No.	Part No.	Description	Size	Qty
1.....	JWS25X-101.....	Insert Ring (Small).....		1
2.....	JWS25X-102.....	Insert Ring (Large).....		1
3.....	JWS25X-103.....	Table.....		1
4.....	JWS25X-104.....	Starting Pin.....		1
5.....	JWS25X-105.....	Miter Gauge Assembly		1
5-1.....	JWS25X-105-1.....	Miter Gauge Body.....		1
5-2.....	JWS25X-105-2.....	Miter Bar		1
5-3.....	JWS25X-105-3.....	Handle.....		1
5-4.....	TS-1550061	Flat Washer.....	M8.....	1
5-5.....	TS-1533062	Pan Head Machine Screw	M5x20	3
5-6.....	TS-1540031	Hex Nut.....	M5.....	3
5-7.....	JWS25X-105-7.....	Pointer.....		1
5-8.....	JWS25X-105-8.....	Stop Plate.....		1
5-9.....	JWS25X-105-9.....	Roll Pin.....		1
5-10.....	TS-0267021	Socket Set Screw	1/4"-20x1/4".....	1
5-12.....	JWS25X-105-12.....	Special Washer		1
5-13.....	TS-081F021.....	Flat Head Machine Screw.....	1/4"-20x3/8".....	1
.....	JWS25X-TUP	"Touch Up" Paint, Small Can (not shown)		1



Fence – Parts List

Index No.	Part No.	Description	Size	Qty
1	JWS35X-201	Knob		4
2	PM2700-237	Feather Board		2
3	PM2700-234	Bracket		2
4	TS-1550061	Flat Washer	M8	4
5	PM2700-232	Lock Handle		4
6	PM2700-235	Carriage Bolt	M5x30	4
7	PM2700-231	End Cap		2
8	JWS25X-208	Fence		2
9	JWS35X-209	Slide		2
10	JWS35X-210	Left Fence Plate		1
11	JWS35X-211	Plastic Flat Washer		2
12	JWS35X-212	Leader Screw		2
13	TS-1523021	Socket Set Screw	M6x8	5
14	JWS35X-214	Knob		5
15	TS-1540041	Hex Nut	M6	1
16	JWS35X-216	Socket Set Screw	M6x30	1
17	TS-1504031	Socket Head Cap Screw	M8x16	1
18	TS-1523041	Socket Set Screw	M6x12	4
19	JWS35X-219	Shaft		1
20	JWS35X-220	Adjustment Leader		1
21	TS-1540061	Hex Nut	M8	1
22	JWS35X-222	Socket Set Screw	M8x30	1
23	JWS35X-223	Scale		1
24	TS-1533032	Pan Head Machine Screw	M5x10	1
25	JWS35X-225	Bracket		1
26	TS-1550031	Flat Washer	M5	4
27	TS-1533052	Pan Head Machine Screw	M5x16	2
28	JWS35X-228	Fixing Plate		1
29	TS-2284082	Pan Head Machine Screw	M4x8	4
30	JWS35X-230	Knob		5
31	PM2700-203	Cutter Guard		1
32	JWS35X-232	Safety Guard Holder		1
33	TS-1550041	Flat Washer	M6	2
34	JWS35X-234	Shaft		2
35	TS-155009	Flat Washer	M14	2
36	JWS35X-236	Dust Chute		1
37	JWS35X-237	Fence Body		1
38	PM2700-205	Flat Washer	M13	4
39	JWS35X-239	Spring		2
40	JWS35X-240	Lock Nut	1/2"-12	2
41	PM2700-236	Carriage Bolt	M5x16	4
42	JWS35X-242	Wave Washer		1
43	JWS35X-243	Flat Washer		1
	JWS25X-FA	Fence – Complete Assembly (Index #1 - #43)		1

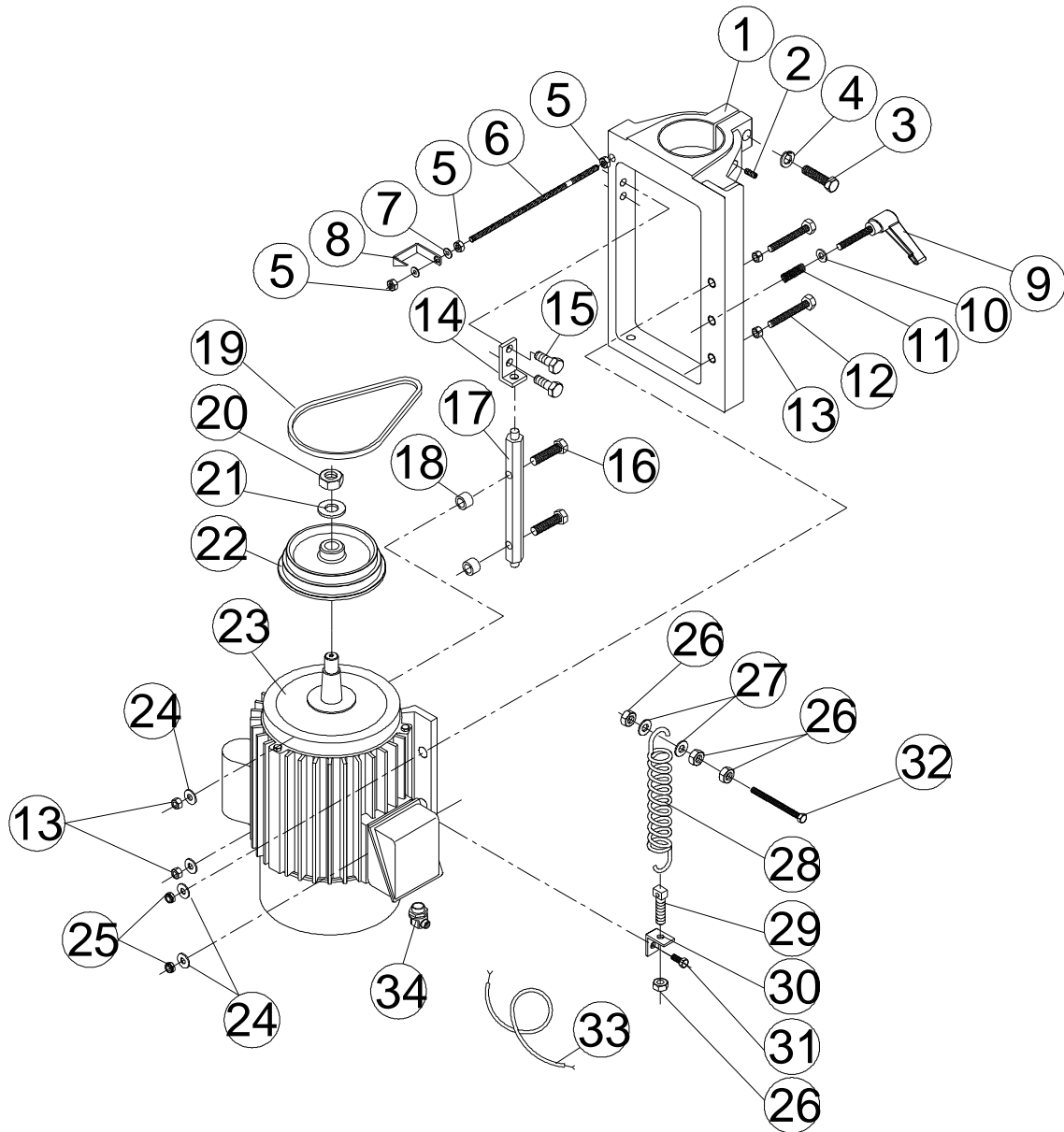
Fence – Assembly Drawing



Frame and Motor – Parts List

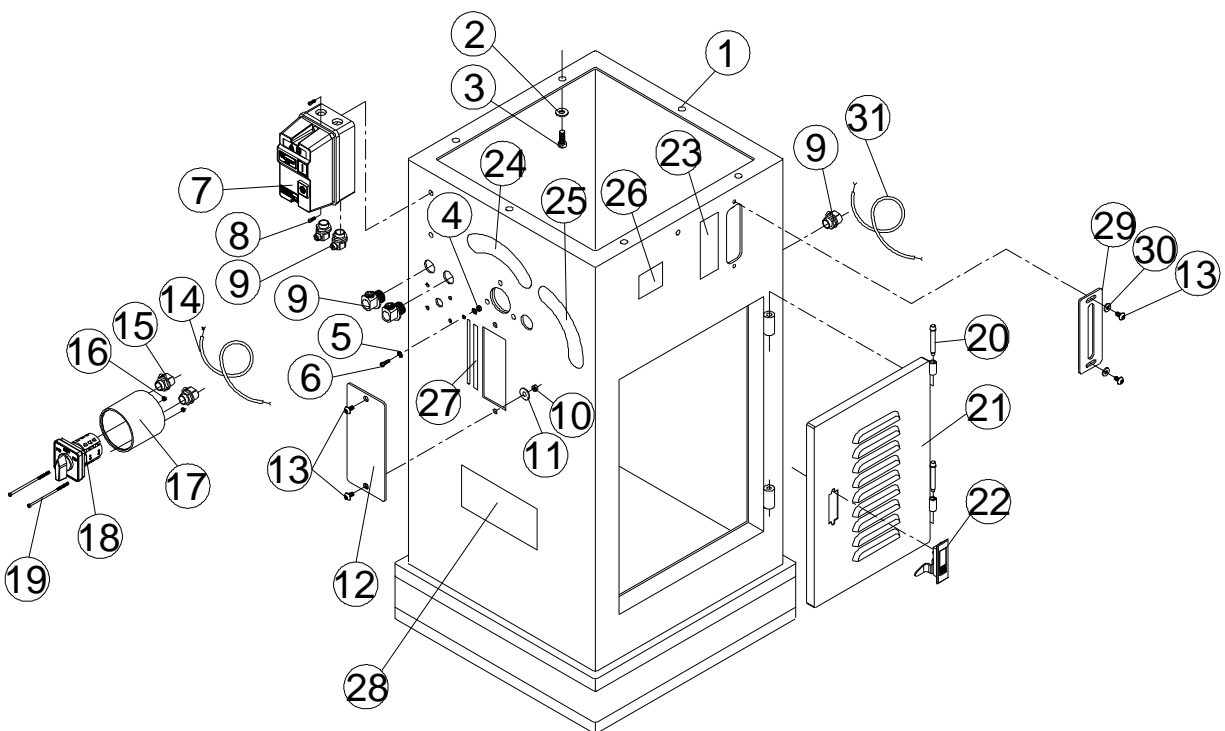
Index No.	Part No.	Description	Size	Qty
1	JWS25X-301	Motor Bracket		1
2	TS-0270051	Socket Set Screw	5/16"-18x1/2"	1
3	JWS25X-303	Hex Cap Screw	1/2"-12x2"	1
4	TS-0720111	Lock Washer	1/2"	1
5	TS-0561011	Hex Nut	1/4"-20	3
6	JWS25X-306	Pointer Leader		1
7	TS-0680021	Flat Washer	1/4"	2
8	JWS25X-308	Pointer		1
9	JWS25X-309	Lock Handle		1
10	TS-0680041	Flat Washer	3/8"	1
11	JWS25X-311	Spring		1
12	TS-0060131	Hex Cap Screw	3/8"-16x3"	2
13	TS-0561031	Hex Nut	3/8"-16	4
14	JWS25X-314	Bracket		1
15	TS-0060031	Hex Cap Screw	3/8"-16x3/4"	2
16	TS-0060091	Hex Cap Screw	3/8"-16x2"	2
17	JWS25X-317	Truss Rod		1
18	JWS25X-318	Bushing		2
19	VB-M25	V-Belt	M25	1
20	TS-0561072	Hex Nut	5/8"-18UNF	1
21	TS-0680081	Flat Washer	5/8"	1
22	JWS25X-322	Motor Pulley		1
23	JWS25X-323	Motor	3HP, 1Ph, 230V	1
	JWS25X-323MF	Motor Fan (not shown)		1
	JWS25X-323MFC	Motor Fan Cover (not shown)		1
	JWS25X-323SC	Starting Capacitor (not shown)	300µF, 125V	1
	JWS25X-323RC	Running Capacitor (not shown)	30µF, 350V	1
24	TS-0680042	Flat Washer	3/8"	4
25	TS-0640091	Nylon Insert Lock Nut	3/8"-16	2
26	TS-0561021	Hex Nut	5/16"-18	4
27	TS-0680031	Flat Washer	5/16"	2
28	JWS25X-328	Spring		1
29	JWS25X-329	Special Screw	5/16"-18x1-1/2"	1
30	JWS25X-330	Bracket		1
31	TS-0051011	Hex Cap Screw	5/16"-18x1/2"	1
32	TS-0051131	Hex Cap Screw	5/16"-18x3"	1
33	JWS25X-333	Motor Cable	14AWGx4Cx120cm	1
34	JWS25X-334	Strain Relief		1

Frame and Motor – Assembly Drawing



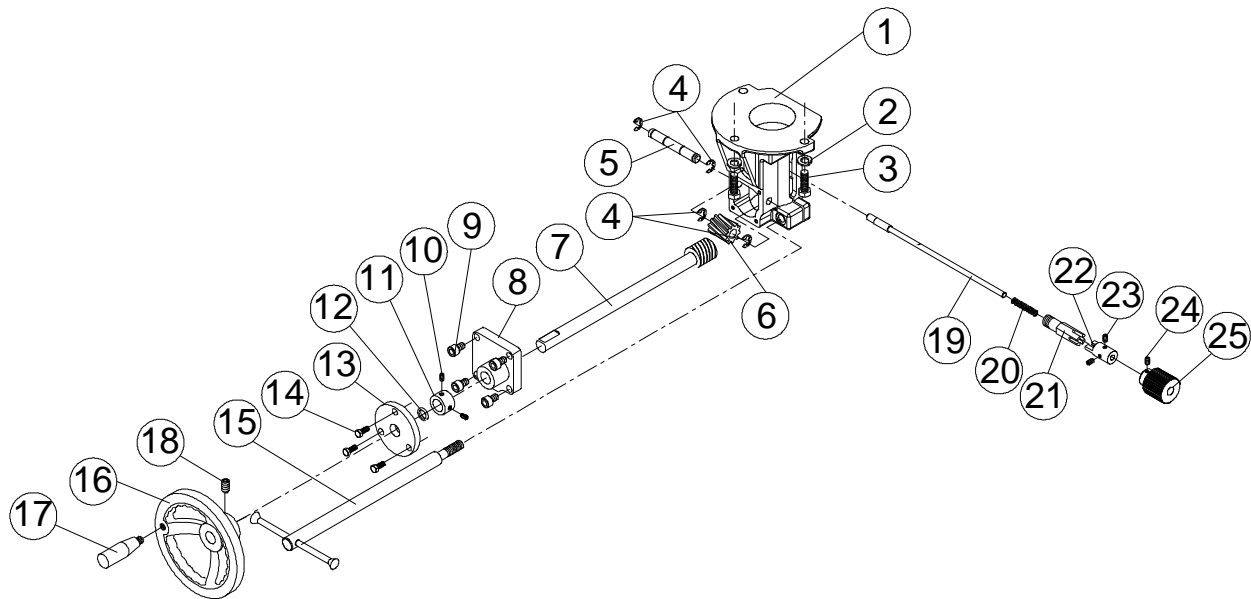
Cabinet and Base – Parts and Assembly

Index No.	Part No.	Description	Size	Qty
1	JWS25X-401	Cabinet		1
2	TS-0680041	Flat Washer	3/8"	6
3	TS-0060051	Hex Cap Screw	3/8"-16x1"	6
4	TS-0560071	Hex Nut	#10-24	1
5	JWS25X-405	Star Washer	M5	2
6	TS-0810012	Round Head Machine Screw	#10-24x1/4"	1
7	JWS25X-407	Magnetic Switch	3HP, 230V	1
8	TS-1532042	Pan Head Machine Screw	M4x12	2
9	JWS25X-409	Strain Relief		5
10	TS-0561011	Hex Nut	1/4"-20	2
11	TS-0680021	Flat Washer	1/4"	2
12	JWS25X-412	Window		1
13	TS-0254031	Button Head Socket Screw	1/4"-20x5/8"	4
14	JWS25X-414	Switch Cable	14AWGx4Cx75cm	1
15	JWS25X-415	Strain Relief		2
16	TS-1540021	Hex Nut	M4	2
17	JWS25X-417	Switch Cover		1
18	JWS25X-418	Forward/Reverse Switch		1
19	JWS25X-419	Screw	M4x100	2
20	JWS25X-420	Door Hinge Pin		2
21	JWS25X-421	Door		1
22	JWS25X-422	Door Latch		1
23	JWS25X-423	Warning Label - Spindle Lock/Release		1
24	JWS25X-424	Label - Spindle Height		1
25	JWS25X-425	Label - Spindle Height Lock		1
26	JWS25X-426	ID Label		1
27	JWS25X-427	Scale Label		1
28	JWS25X-428	JET Logo		1
29	JWS25X-429	Plate		1
30	TS-0680021	Flat Washer	1/4"	2
31	JWS25X-431	Power Cable	14AWGx3Cx240cm	1



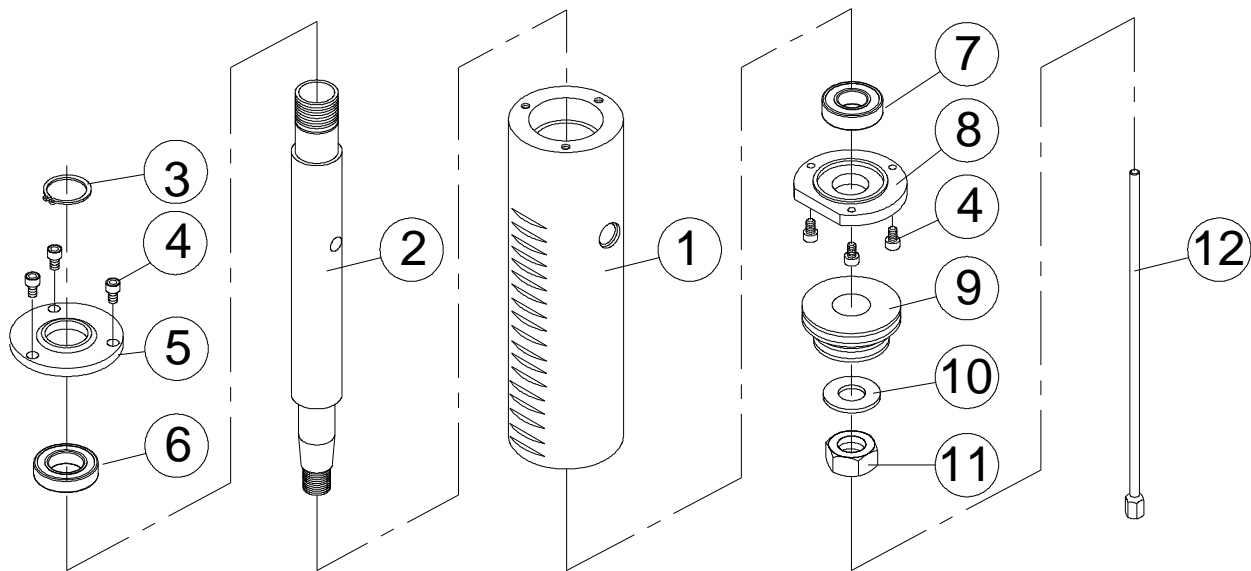
Elevator – Parts and Assembly

Index No.	Part No.	Description	Size	Qty
1	JWS25X-501	Housing		1
2	TS-0720111	Lock Washer	1/2"	3
3	JWS25X-503	Hex Cap Screw	1/2"-12x1-1/2"	3
4	JWS25X-504	E-Clip	ETW-10	4
5	JWS25X-505	Shaft		1
6	JWS25X-506	Worm Gear		1
7	JWS25X-507	Worm Shaft		1
8	JWS25X-508	Shaft Bracket		1
9	TS-0207041	Socket Head Cap Screw	1/4"-20x3/4"	4
10	TS-0267021	Socket Set Screw	1/4"-20x1/4"	2
11	JWS25X-511	Bushing		1
12	JWS25X-512	O-Ring	P18	1
13	JWS25X-513	Cover		1
14	TS-0081031	Hex Cap Screw	5/16"-18x3/4"	3
15	JWS25X-515	Clamping Handle		1
16	JWS25X-516	Hand Wheel		1
17	JWS25X-517	Handle		1
18	TS-0270051	Socket Set Screw	5/16"-18x1/2"	1
19	JWS25X-519	Lock Rod		1
20	JWS25X-520	Spring		1
21	JWS25X-521	Connector		1
22	JWS25X-522	Lock Mandrel		1
23	TS-1522021	Socket Set Screw	M5x8	2
24	TS-1523021	Socket Set Screw	M6x8	1
25	JWS25X-525	Knob		1



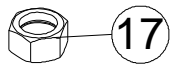
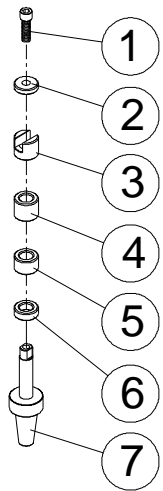
Quill – Parts and Assembly

Index No.	Part No.	Description	Size	Qty
1	JWS25X-601	Quill		1
2	JWS25X-602	Spindle Holder		1
3	JWS25X-603	Retaining Ring	STW-30	1
4	TS-0207031	Socket Head Cap Screw	1/4"-20x5/8	6
5	JWS25X-605	Shaft Top Bearing Cover		1
6	BB-6006VV	Ball Bearing	6006-2NK	1
7	BB-6005VV	Ball Bearing	6005-2NK	1
8	JWS25X-608	Shaft Lower Bearing Cover		1
9	JWS25X-609	Spindle Pulley		1
10	JWS25X-610	Flat Washer		1
11	TS-0561082	Hex Nut	3/4"-16UNF	1
	JWS25X-QA	Quill Assembly (Index #1 - #11)		1
12	JWS25X-612	Draw Bar		1

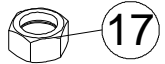
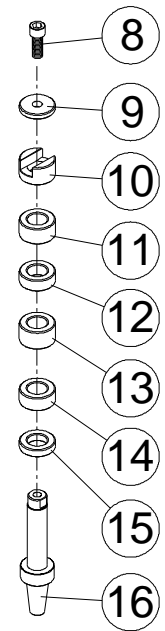


Spindle Assembly – Parts and Assembly

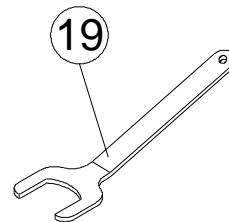
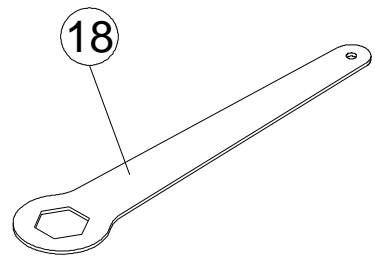
Index No.	Part No.	Description	Size	Qty
1	TS-0208061	Socket Head Cap Screw	5/16"-18x1"	1
2	JWS25X-702	Special Washer		1
3	JWS25X-703	Keyed Collar		1
4	JWS25X-704	Collar	I.D. 1/2"x20mmT	1
5	JWS25X-705	Collar	I.D. 1/2"x15mmT	1
6	JWS25X-706	Collar	I.D. 1/2"x8.5mmT	1
7	JWS25X-707	Spindle	1/2"	1
	708388	Spindle Assembly (#1 thru #7, #17)	1/2"	1
8	TS-0209051	Socket Head Cap Screw	3/8"-16x1"	1
9	JWS25X-709	Special Washer		1
10	JWS25X-710	Keyed Collar		1
11	JWS25X-711	Collar	I.D. 3/4"x18mmT	1
12	JWS25X-712	Collar	I.D. 3/4"x12.8mmT	1
13	JWS25X-713	Collar	I.D. 3/4"x20mmT	1
14	JWS25X-714	Collar	I.D. 3/4"x15mmT	1
15	JWS25X-715	Collar	I.D. 3/4"x8.5mmT	1
16	JWS25X-716	Spindle	3/4"	1
	708387	Spindle Assembly (#8 thru #16, #17)	3/4"	1
17	JWS25X-717	Spindle Nut		1
18	JWS25X-718	Wrench		1
19	JWS25X-719	Wrench		1



1/2" Spindle



3/4" Spindle





427 New Sanford Road
LaVergne, Tennessee 37086
Phone: 800-274-6848
www.jettools.com