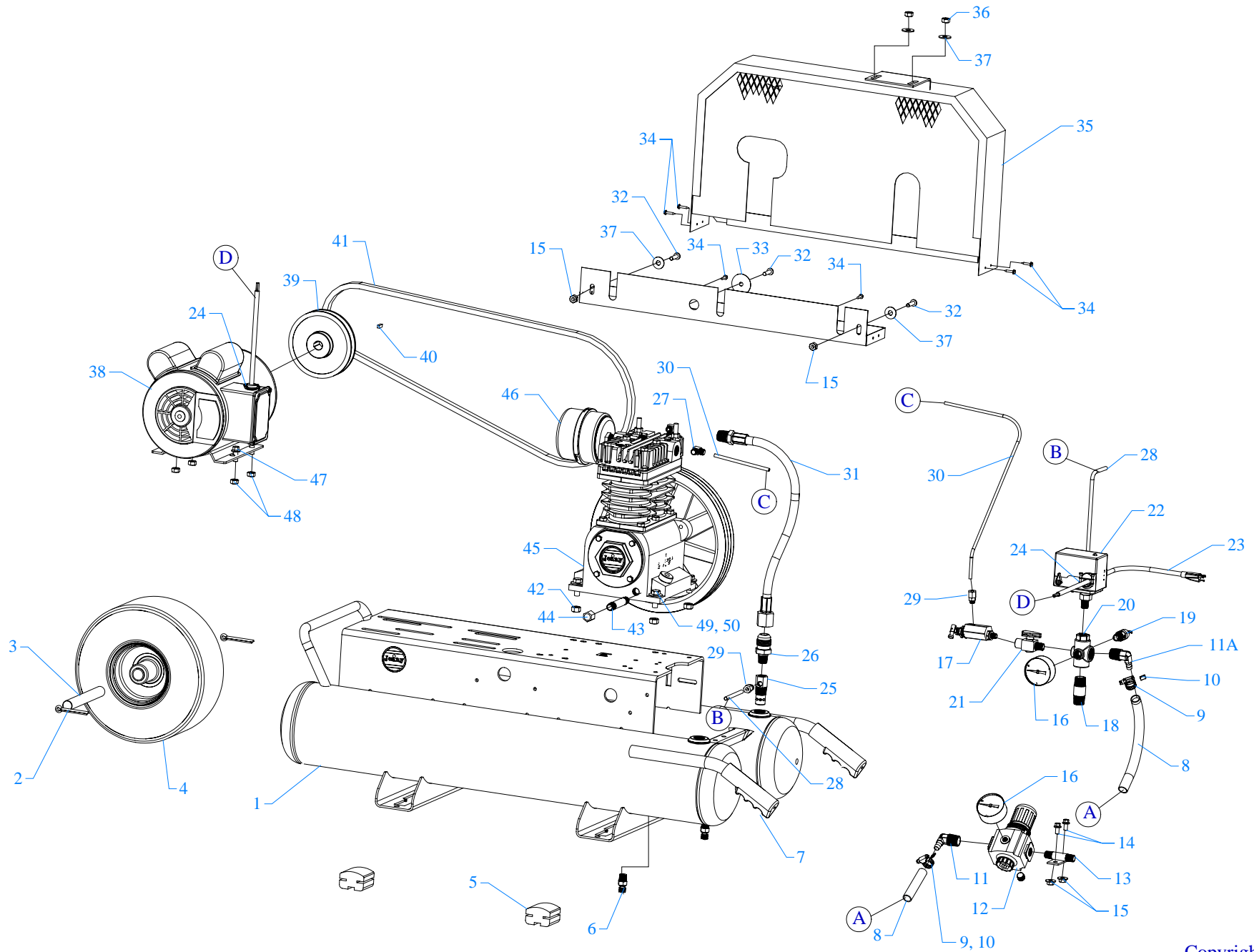


# MODELS K1A -8P WITH DUAL CONTROL



## Parts List for Model K1A-8P with Dual Control

NOTE: The quantity number indicates the total number of pieces required for a complete pump repair.  
When ordering parts give compressor model, serial number and part number. Order assemblies when possible.

| <u>REF. NO.</u> | <u>PART NO.</u> | <u>DESCRIPTION</u>   | <u>QTY.</u> |
|-----------------|-----------------|--|-------------|
| 1               | 411-1002        | TANK,PORTABLE,8G,RPLMT,8PK ELECTRIC                                | 1           |
| 2               | 120-1286        | PIN,COTTER,PLATED,3/16 DIAx2 LONG                                  | 2           |
| 3               | 150-1218        | AXLE,STEEL,PLATED,8P,5/8"DIAx5"LONG                                | 1           |
| 4               | 150-1219        | WHEEL,PNEUM,410/350x4,4"CNTRD,5/8"ID                               | 1           |
| 5               | 104-1249        | PAD,RUBBER,40D,11GA,1-1/4x1-7/8x2-1/2,WP                           | 4           |
| 6               | 141-1058        | DRAIN,PETCOCK,BRASS,1/4"NPTM,DC14                                  | 2           |
| 7               | 104-1072        | GRIP,HANDLE,RUBBER,YELLOW,7/8",STERILE                             | 2           |
| 8               | 104-1001        | HOSE,AIR,200 PSI,3/8"IDx18"LONG                                    | 1           |
| 9               | 104-1075        | CAP,COVER,PLASTIC,RED,0.40 X 1/4"X 3/8"                            | 2           |
| 10              | 120-1173        | CLAMP,HOSE,GEAR,WORM,SS,5/16" TO 7/8"                              | 2           |
| 11              | 121-1145        | BARB,HOSE,ELBOW,MALE,BRASS,3/8HSx3/8NPTM                           | 1           |
| 11A             | 121-1143        | BARB,HOSE,ELBOW,MALE,BRASS,3/8HSx1/2NPTM                           | 1           |
| 12              | 160-1001        | REGULATOR,PRESSURE,AIR,3/8"NPT                                     | 1           |
| 12A             | 360-1109        | REGULATOR,PRESSURE,AIR,W/PG14,3/8"N,R38<br>INCLUDES 12,16,1/4 PLUG | 1           |
| 13              | 150-1083        | BRACKET,REGULATOR,STEEL,PLATED,3/8",BR                             | 1           |
| 13A             | 320-1029        | BRACKET,REGULATOR,W/HARDWARE,ASSY,BR<br>INCLUDES 13,14,15          | 1           |
| 14              | 120-1243        | SCREW,FLANGE,HEX,SERR,ST,PL,1/4-20x 1/2                            | 2           |
| 15              | 120-1116        | NUT,LOCK,FLANGE,HEX,SERR,ST,PLTD,1/4-20                            | 4           |
| 16              | 142-1000        | GAUGE,PSI,200#,BK MT,JENNY,1.5,1/4",PG14                           | 2           |
| 17              | 141-1047        | VALVE,PILOT,W/HAND UNLOADER,125PSI,1/4"M                           | 1           |
| 18              | 122-1145        | NIPPLE,STEEL,SCH 80,PLTD,1/2" X 1-1/2" L                           | 1           |
| 19              | 141-1004        | VALVE,SAFETY,ASME,1/4",165 PSI,54 SCFM                             | 1           |

## Parts List for Model K1A-8P with Dual Control

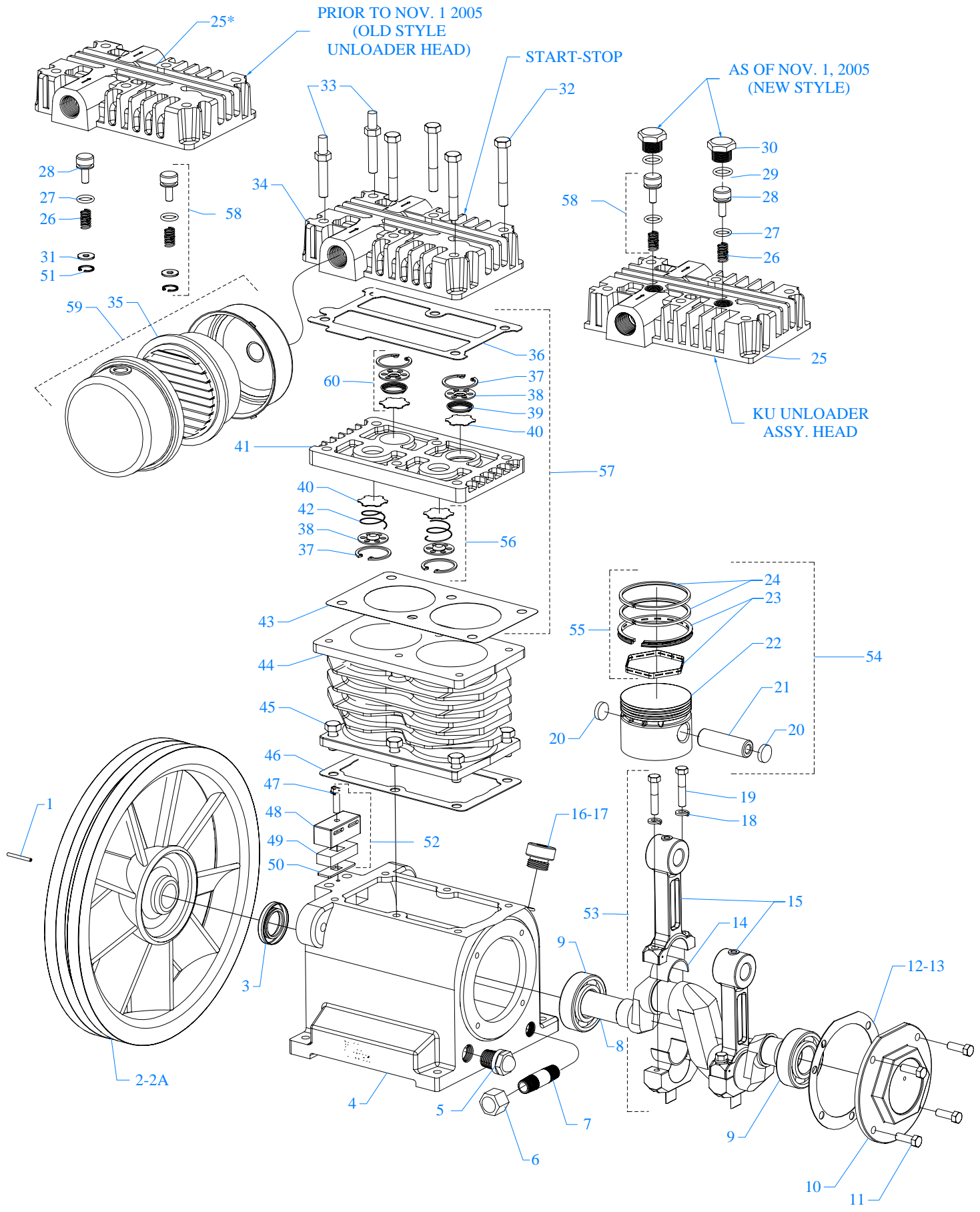
NOTE: The quantity number indicates the total number of pieces required for a complete pump repair.  
When ordering parts give compressor model, serial number and part number. Order assemblies when possible.

| <u>REF. NO.</u> | <u>PART NO.</u> | <u>DESCRIPTION</u>                        | <u>QTY.</u> |
|-----------------|-----------------|---|-------------|
| 20              | 220-1122        | BLOCK,MANIFOLD,ZINC,6 HOLE,TAPPED,MC-6    | 1           |
| 21              | 141-1077        | VALVE,BALL,LEVER,1/4 TURN,1/4"M X 1/4"F   | 1           |
| 22              | 140-1074-01     | SWITCH,PSI,2HP,100-125#,UNLDR&LVR,PBVL    | 1           |
| 23              | 123-1023-01     | CORD,DROP,SJOW,5-15PLUG,15A,12/3,6 FT     | 1           |
| 24              | 123-1029        | CONNECTOR,ROMEX,CLAMP,STRAIGHT,3/8"       | 3           |
| 25              | 141-1034        | VALVE,CHECK,INSERT,1/2"M X3/8"F,W/1/8"PT  | 1           |
| 26              | 121-1007        | CONNECTOR,MALE,BRASS,5/8-45SAEX3/8"NPTM   | 1           |
| 27              | 121-1032        | ELBOW,MALE,COMPRESSION,BR,1/4TBX1/8"NPTM  | 1           |
| 28              | 610-1086        | TUBE,CONTROL,COPPER,W/SLEEVE,1/4"X22"LG   | 1           |
| 29              | 121-1025        | CONNECTOR,MALE,COMPRESSION,BR,1/4TBX1/8"  | 2           |
| 30              | 610-1086        | TUBING,COPPER,PRE-CUT,1/4"X17-1/4"LONG    | 1           |
| 31              | 360-1392        | AFTERCOOLER,HOSE,SS,TEFLON,5/8"ODX19"L    | 1           |
| 32              | 120-1267        | SCREW,PAN HD,PHIL,STEEL,PLTD,1/4-20 X 1"  | 3           |
| 33              | 120-1072        | WASHER,FENDER,ST,PLATED,1/4"X1-1/2"OD     | 1           |
| 34              | 120-1177        | SCREW,SELF DRILL,HEX,ST,PL,12 X 3/4       | 6           |
| 35              | 320-1177        | BELTGUARD,F&K,W/PAN,3.4WX13.0HX23LG       | 1           |
| 36              | 120-1119        | NUT,LOCK,FLANGE,HEX,SERR,ST,PLTD,5/16-18  | 2           |
| 37              | 120-1075        | WASHER,FLAT,STEEL,PLATED,5/16"            | 4           |
| 38              | 130-1010-01     | MOTOR,1HP,115-230/60/1,W/DUAL VOLT SW     | 1           |
| 39              | 154-1206        | PULLEY,CI,SG,3.2PDA,5/8ID,AK34X5/8 "1 HP" | 1           |
| 40              | 120-1194        | KEY,STEEL,BLACK,1/4X1/4X1-1/2             | 1           |
| 41              | 154-4L450       | BELT,VEE,A43,4L-450                       | 1           |
| 42              | 120-1116        | NUT,LOCK,FLANGE,HEX,SERR,ST,PLTD,1/4-20   | 4           |

## Parts List for Model K1A-8P with Dual Control

NOTE: The quantity number indicates the total number of pieces required for a complete pump repair.  
When ordering parts give compressor model, serial number and part number. Order assemblies when possible.

| <u>REF. NO.</u> | <u>PART NO.</u> | <u>DESCRIPTION</u>                       | <u>QTY.</u> |
|-----------------|-----------------|--|-------------|
| 43              | 122-1032        | NIPPLE,STEEL,SCH 40,1/4" X 3" L          | 1           |
| 44              | 122-1083        | CAP,HEX,STEEL,1/4"NPT                    | 1           |
| 45              | 421-1102        | PUMP,CMPSR,PISTON,REPLCMT,BLUE,KU        | 1           |
| 46              | 320-1121        | FILTER,AIR,2PC,W/SILENCER&FILTER,G154    | 1           |
| 47              | 120-1119        | NUT,LOCK,FLANGE,HEX,SERR,ST,PLTD,5/16-18 | 4           |
| 48              | 120-1018        | SCREW,FLANGE,HEX,SERR,ST,PLD,5/16-18X3/4 | 4           |
| NOT SHOWN       | 610-1225        | KIT,ELEMENT,FILTER,G54E,PKG OF 4,G54EP   | 1           |
| NOT SHOWN       | 105-1209        | OIL,PUMP,SYNTHETIC,BLUE,1 QUART,ESQ      | 1           |



PRIOR TO NOV. 1 2005  
(OLD STYLE  
UNLOADER HEAD)

START-STOP

AS OF NOV. 1, 2005  
(NEW STYLE)

KU UNLOADER  
ASSY. HEAD

MODEL K & KU  
Two Cylinder Single Stage  
2-1/2" Bore X 2" Stroke

## Parts List for Model K & KU Pump Assembly

NOTE: The quantity number indicates the total number of pieces required for a complete unit repair.  
When ordering parts give compressor model, serial number and part number. Order assemblies when possible.

| <u>REF. NO.</u> | <u>PART NO.</u> | <u>DESCRIPTION</u>                                | <u>QTY.</u> |
|-----------------|-----------------|---|-------------|
| 1               | 120-1163        | PIN,ROLLED,COILED,STL,BLK,1/4ODX1L,K25            | 1           |
| 2               | 220-1093        | FLYWHEEL,K PUMP,CI,10-3/8,1 GROOVE,K23A           | 1           |
| 2A              | 220-1090        | FLYWHEEL,GT PUMP,CI,13-1/4,2 GROOVE,G23 (KC Pump) | 1           |
| 3               | 150-1036        | SEAL,OIL,LIP,SINGLE,0.875 DIA,K11E                | 1           |
| 4               | 220-1009        | CRANKCASE,K PUMP,CI,W/SIGHT GLASS,K1              | 1           |
| 5               | 160-1076        | GAUGE,SIGHT,LEVEL,OIL,3/8"NPT,LO-M49              | 1           |
| 6               | 122-1083        | CAP,HEX,MI,1/4"NPT                                | 1           |
| 7               | 122-1032        | NIPPLE,STEEL,SCH 40,1/4" X 3" L                   | 1           |
| 8               | 220-1010        | CRANKSHAFT,K PUMP,CI,MACHINED,K20A                | 1           |
| 9               | 150-1000        | BEARING,BALL,K9                                   | 2           |
| 10              | 220-1001        | CAP,BEARING,K PUMP,CI,MACHINED,K2                 | 1           |
| 11              | 120-1004        | SCREW,CAP,HEXHD,GR5,ST,BLK,1/4-20X3/4 (10FT-LB)   | 4           |
| 12              | 104-1000-01     | GASKET,CAP,BEARING,F&K&G PUMP,1/32THK,L3          | 1           |
| 13              | 104-1000-02     | GASKET,CAP,BEARING,F&K&G PUMP,1/64THK,L4          | 1           |
| 14              | 150-1011        | BEARING,ROD,CONNECTING,PUMP,F,K,G                 | 4           |
| 15              | 310-1001-02     | ROD,CONNECTING,WO/BRNG INSERT,L21L&L21K           | 2           |
| 16              | 610-1029        | PLUG,CRANKCASE,FILL,OIL,W/O-RING,K14              | 1           |
| 17              | 104-1016        | RING,O,BUNA-N,5/8"IDX13/16"ODX3/32"THK            | 1           |
| 18              | 120-1068        | WASHER,LOCK,SPLIT,ST,BLK,HIGH CLLR,1/4"           | 4           |
| 19              | 120-1010        | SCREW,CAP,HEXHD,GR5,ST,BLK,1/4-20X1-1/4 10 FT-LB  | 4           |
| 20              | 104-1103        | BUMPER,WRIST PIN,PLASTIC,K36A                     | 4           |
| 21              | 150-1005        | PIN,PISTON,STEEL,HARDENED,K35                     | 2           |
| 22              | 220-1005        | PISTON,PUMP,ALUMINUM,MACHINED,K32                 | 2           |

## Parts List for Model K & KU Pump Assembly

NOTE: The quantity number indicates the total number of pieces required for a complete unit repair.  
When ordering parts give compressor model, serial number and part number. Order assemblies when possible.

| <u>REF. NO.</u> | <u>PART NO.</u> | <u>DESCRIPTION</u>                                  | <u>QTY.</u> |
|-----------------|-----------------|---|-------------|
| 23              | 610-1065        | KIT,RING,OIL,W/EXPANDER,ASSY,K34                    | 2           |
| 24              | 150-1003        | RING,COMPRESSION,PISTON,STEEL,EBA 22,K33            | 4           |
| 25              | 220-1016        | HEAD,UNLOADING,G PUMP,CI,6HOLES,LU80                | 1           |
| 26              | 150-1020        | SPRING,VALVE,UNLOADER,INTAKE, KU83                  | 2           |
| 27              | 104-1020        | RING,O,SILICON,7/16"IDX5/8"ODX3/32"THK              | 2           |
| 28              | 150-1028        | PISTON,UNLOADER,VALVE,BRASS,KU81                    | 2           |
| 29              | 104-1015        | RING,O,BUNA-N,1/2"IDX11/16"ODX3/32"THK              | 2           |
| 30              | 122-1051        | PLUG,HEX ,BRASS,11/16-16 UN-2B X .550               | 2           |
| 31              | 150-1042        | WASHER,BRASS,1/32X 0.605ODX1/4 ID,KU84              | 2           |
| 32              | 120-1028        | SCREW,CAP,HEXHD,GR5,ST,BLK,5/16-18X2-1/4 (22 FT-LB) | 4           |
| 33              | 120-1252        | BOLT,STUD,HEX,ST,5/16-18X2-1/4X5/8,K52-1 (22 FT-LB) | 2           |
| 34              | 310-1004        | HEAD,START/STOP,G PUMP,REPLACEMNT,L50               | 1           |
| 35              | 150-1104        | ELEMENT,FILTER,AIR,COMPRESSOR,JENNY,G54E            | 1           |
| 36              | 104-1008        | GASKET,HEAD,K&G&W PUMP,1/32THK,L51                  | 1           |
| 37              | 150-1041        | RETAINER,VALVE,STEEL,PAS,0.062"THK,K43              | 4           |
| 38              | 109-1010        | VALVE,BUMPER,STEEL,K44                              | 4           |
| 39              | 150-1018        | SPRING,CONE,SS,VALVE,DISCHARGE,K46                  | 2           |
| 40              | 109-1011        | VALVE,DISC,STAINLESS STEEL,K47                      | 4           |
| 41              | 220-1013        | PLATE,VALVE,L PUMP,CI,MACHINED,L40                  | 1           |
| 42              | 150-1017        | SPRING,CONE,SS,VALVE,INTAKE,K45                     | 2           |
| 43              | 104-1007        | GASKET,PLATE,VALVE,K&G&W PUMP,1/32TK,L41            | 1           |
| 44              | 360-1150        | CYLINDER,K PUMP,CI,PAINTED,BLUE,K30                 | 1           |
| 45              | 120-1017        | SCREW,CAP,HEXHD,GR5,ST,BLK,5/16-18X3/4 (15FT-LB)    | 6           |

## Parts List for Model K & KU Pump Assembly

NOTE: The quantity number indicates the total number of pieces required for a complete unit repair.  
When ordering parts give compressor model, serial number and part number. Order assemblies when possible.

| <u>REF. NO.</u>   | <u>PART NO.</u> | <u>DESCRIPTION</u>  | <u>QTY.</u> |
|-------------------|-----------------|---|-------------|
| 46                | 104-1006        | GASKET,CYLINDER,K&G&W PUMP,1/32THK,K31  | 1           |
| 47                | 132776          | SCREW,MACH,RND HD,SLTD,ST,PL,#8-32X1"   | 1           |
| 48                | 104-1264        | RETAINER,BREATHER,CRANKCASE,PLASTIC,BLUE                                      | 1           |
| 49                | 104-1265        | FILTER,AIR,BREATHER,CRANKCASE,INSERT  | 1           |
| 50                | 104-1266        | SEAL,BREATHER,CRANKCASE,FILTERED,RUBBER                                       | 1           |
| 51                | 120-1167        | RETAINER,INTERNAL,ST,0.035X 0.665,KU85  | 2           |
| <b>Assemblies</b> |                 |   |             |
| 52                | 610-1410        | BREATHER,CRANKCASE,W/HOUSING&FILTER&SEAL<br>Includes 47, 48, 49, 50           | 1           |
| 53                | 610-1411        | ROD,CONNECTING,W/BEARNG INSERT,L21L&L21K<br>INCLUDES 14(2), 15, 18(2), 19(2)  | 2           |
| 54                | 610-1028        | PISTON,W/RINGS&PIN,ASSY,K132<br>INCLUDES 20 (2), 21, 22, 23, 24 (2)           | 2           |
| 55                | 610-1020        | KIT,PUMP,RING,PISTON,F&K&G&W PUMP,K133<br>INCLUDES 23 (2), 24 (4)             | 1           |
| 56                | 610-1031        | VALVE,SUCTION,ASSY,K145<br>INCLUDES 37, 38, 40, 42                            | 2           |
| 57                | 610-1045        | PLATE,VALVE,W/VALVES,ASSY,L140<br>INCLUDES 36, 41, 43, 56(2), 60(2)           | 1           |
| 58                | 610-1042        | VALVE,UNLOADER,HEAD,PUMP,ASSY,KU181<br>INCLUDES 26, 27, 28, 31, 51            | 2           |
| 59                | 320-1121        | FILTER,W/DECALS,ASSY,G154S  | 1           |
| 60                | 610-1032        | VALVE,DISCHARGE,ASSY,K146<br>INCLUDES 37, 38, 39, 40                          | 2           |
| 61                | 610-1026        | KIT,GASKET,K PUMP,ASSY,K100A<br>INCLUDES 12,13,36,43,46                       | 1           |
| NOT SHOWN         | 610-1123        | KIT,BASIC,REPAIR,KU PUMP,K101 W/G54E<br>INCLUDES 35, 52, 55, 56(2), 60(2), 61 | 1           |
| NOT SHOWN         | 610-1304        | KIT,BASIC,REPAIR,KU PUMP,W/G54E,KU101G  | 1           |



## Parts List for Model K & KU Pump Assembly

NOTE: The quantity number indicates the total number of pieces required for a complete unit repair.  
When ordering parts give compressor model, serial number and part number. Order assemblies when possible.

| <u>REF. NO.</u> | <u>PART NO.</u> | <u>DESCRIPTION</u>                                     | <u>QTY.</u> |
|-----------------|-----------------|--|-------------|
|                 |                 | INCLUDES 35, 52, 55(2), 56(2), 58(2), 60(2), 61 W/G54E |             |
| NOT SHOWN       | 105-1209        | OIL,PUMP,SYNTHETIC,BLUE,1 QUART,ESQ                    | 1           |
| NOT SHOWN       | 610-1226        | KIT,FILTER,ASSY,G154,PKG OF 4,G154P                    | 1           |
| NOT SHOWN       | 610-1186        | KIT,ELEMENT,FILTER,L54E,PKG OF 4,L54EP                 | 1           |
| NOT SHOWN       | 150-1010        | ELEMENT,FILTER,AIR,COMPRESSOR,JENNY,L54E               | 1           |