



## KV750

Reservdelar

Spare parts

Ersatzteile

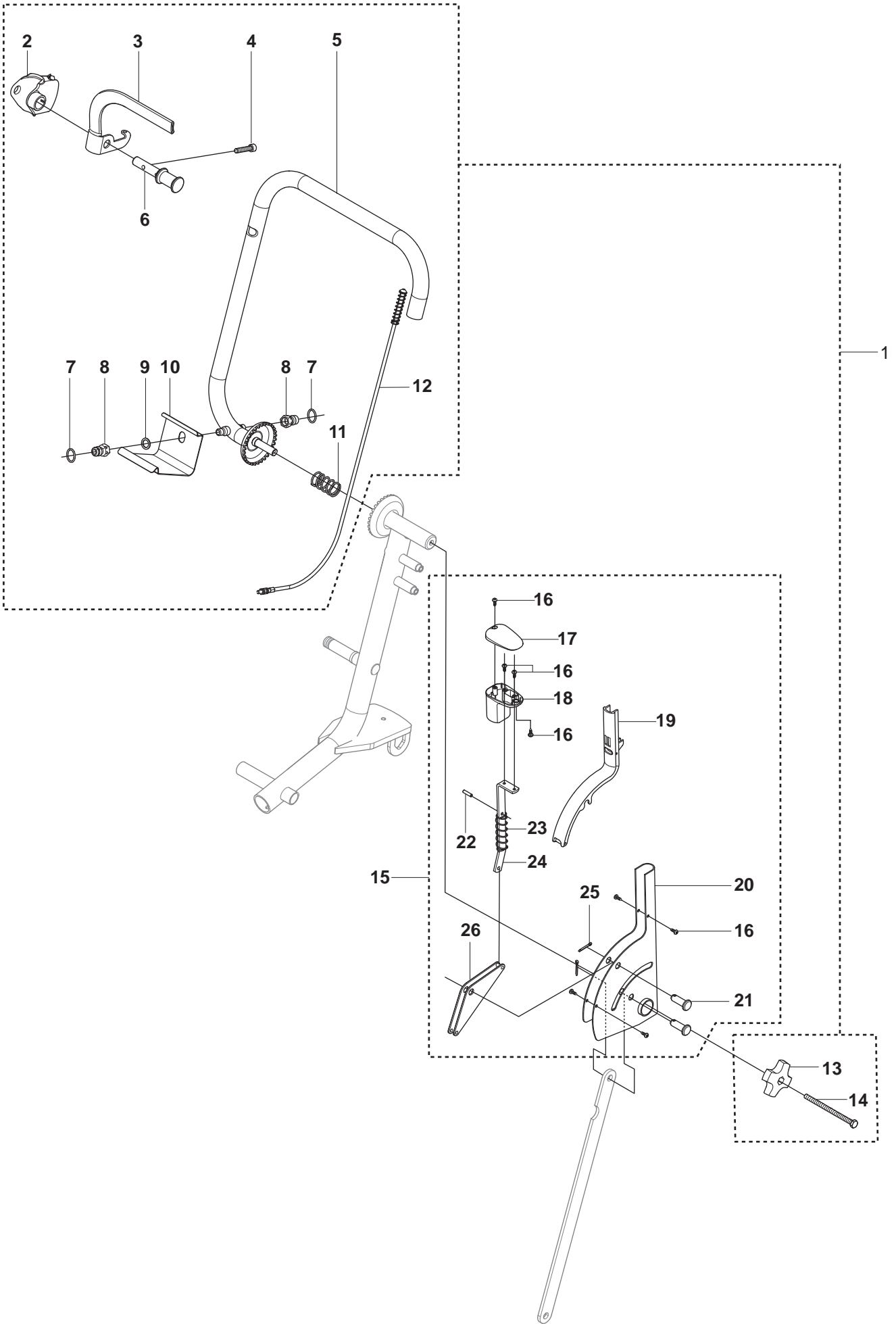
Pieces de rechange

Piezas de repuesto

Ricambi

Peças sobresselente

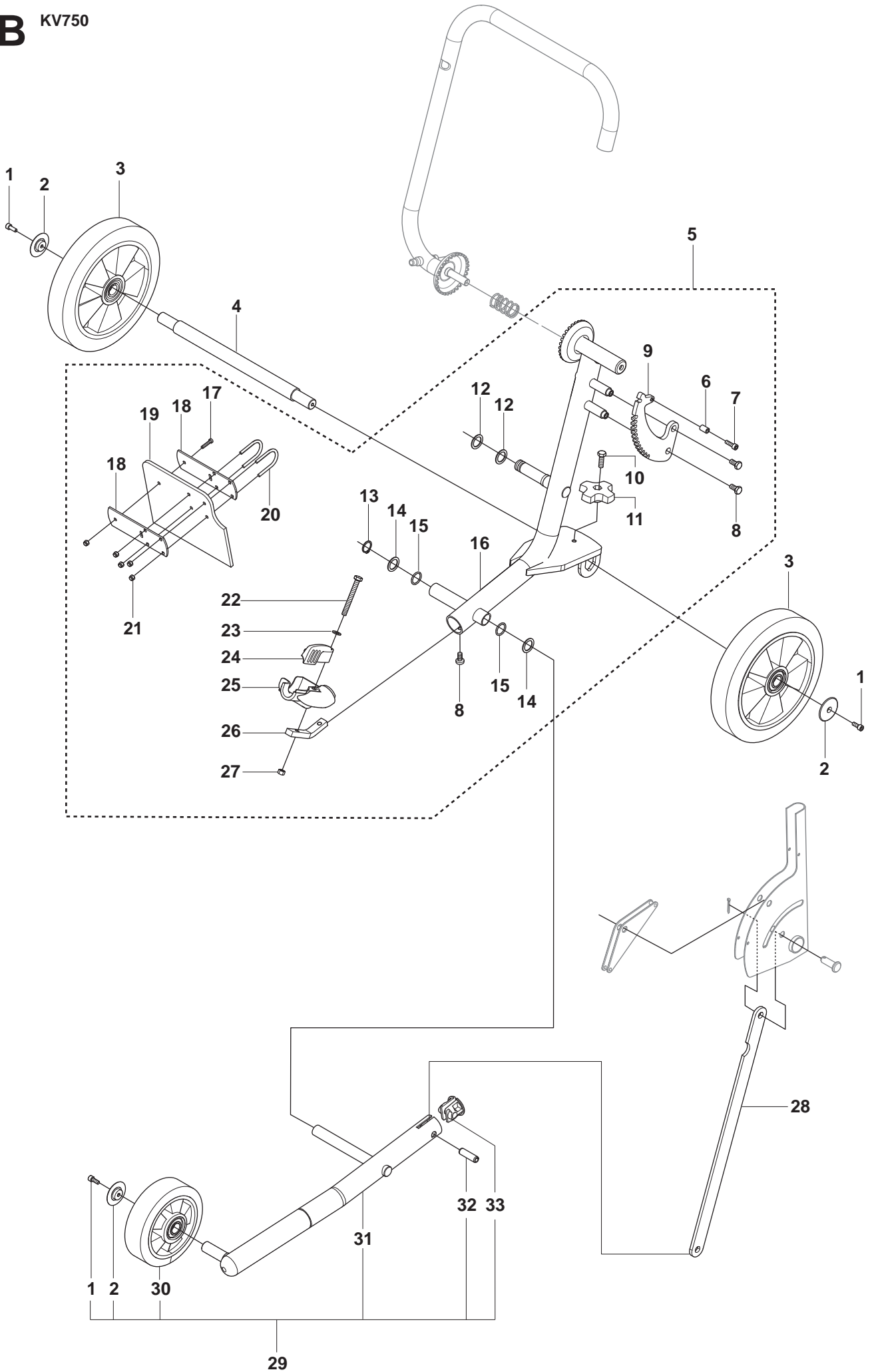
**A** KV750



**Page A**  
**KV750**

<b>Pos.</b>	<b>Part No.</b>	<b>Description</b>	<b>Quantity</b>	<b>Notes</b>
1	544 95 35-01	HANDLEBAR ASSY	1	Incl. 2 - 14
2	544 91 97-01	COVER	1	
3	544 95 37-01	THROTTLE HANDLE ASSY	1	
4	725 54 59-01	SCREW	1	
5	544 95 36-01	HANDLE	1	
6	544 92 11-01	SHAFT	1	
7	502 46 51-01	O-RING	2	
8	506 30 87-01	COUPLER	2	
9	543 85 00-93	WASHER	1	
10	544 98 17-01	HOLDER	1	
11	544 98 16-01	SPRING THROTTLE CONTROL	1	
12	544 98 18-01	WIRE ASSY	1	
13	501 02 00-01	KNOB	1	
14	725 24 75-51	SCREW	1	
15	544 95 69-01	LEVER	1	Incl. 16 - 26
16	729 53 42-01	SCREW CROSS-SLOTTED	8	
17	544 91 53-01	KNOB	1	
18	544 91 54-01	KNOB	1	
19	544 91 55-01	COVER	1	
20	544 95 70-01	LEVER	1	
21	721 85 14-01	CLEVIS PIN	2	
22	721 43 08-01	PIN SPRING	1	
23	544 98 25-01	SPRING	1	
24	544 95 71-01	ROD	1	
25	721 61 82-01	LOCKING PIN	2	
26	502 30 42-01	PLATE	1	

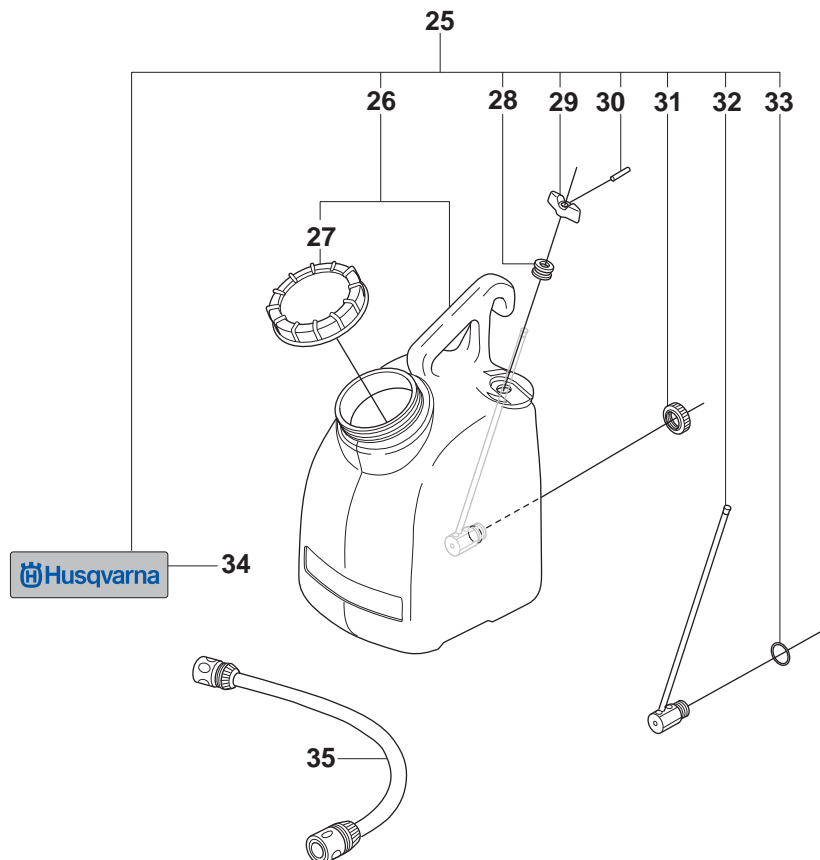
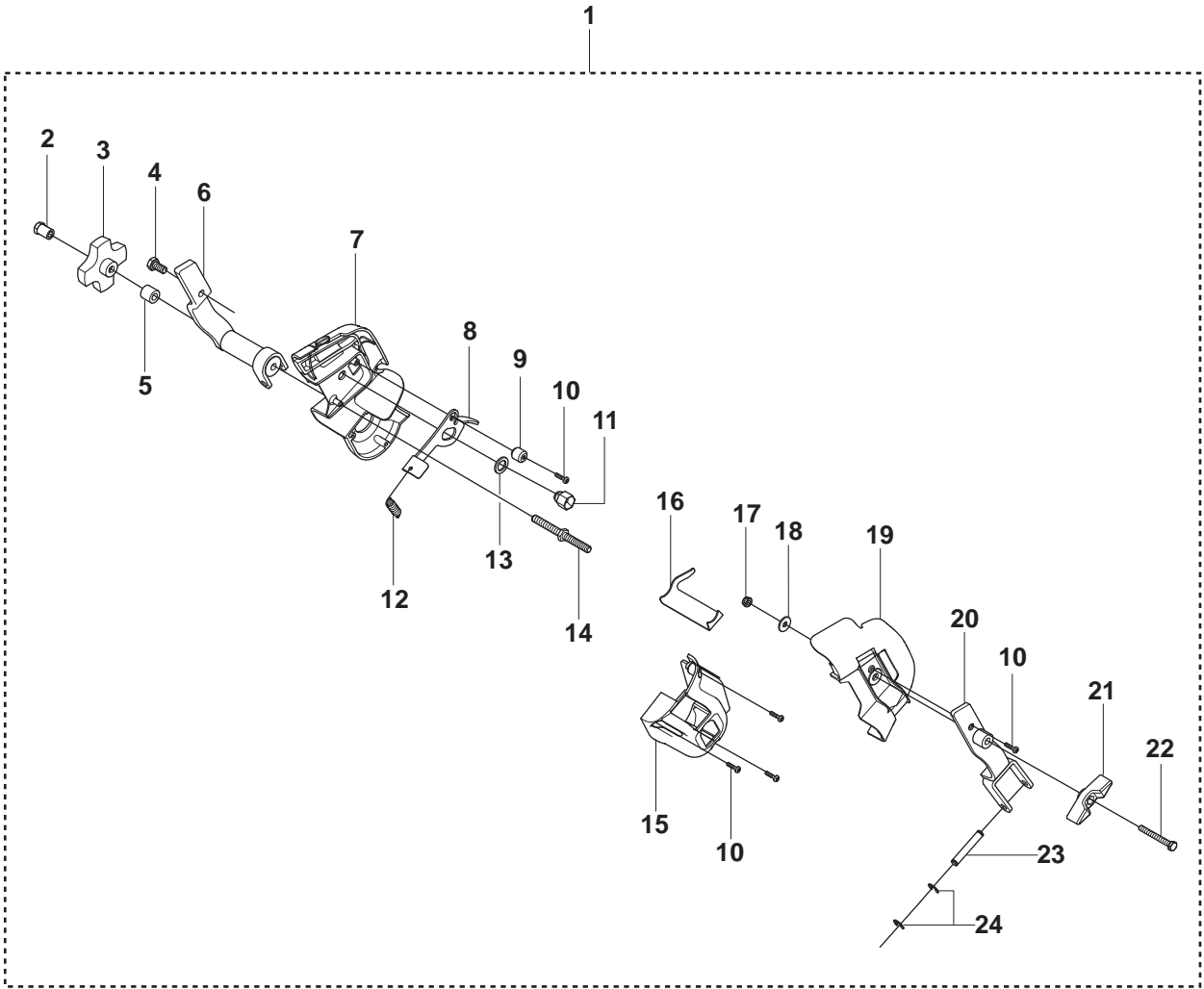
**B** KV750



**Page B**  
**KV750**

Pos.	Part No.	Description	Quantity	Notes
1	725 53 68-01	SCREW	3	
2	501 32 12-01	WASHER	3	
3	544 95 30-01	WHEEL ASSY	2	
4	544 91 94-01	SHAFT	1	
5	544 95 31-01	FRAME	1	Incl. 6 - 27
6	544 93 26-01	DRIVE SCREW	1	
7	725 53 70-01	SCREW	1	
8	725 24 49-71	SCREW	3	
9	544 91 99-01	SHEET	1	
10	725 24 53-71	SCREW	1	
11	501 02 00-01	KNOB	1	
12	501 01 97-01	O-RING	2	
13	735 31 22-00	RETAINING RING	1	
14	501 01 80-01	WASHER	2	
15	501 01 96-01	O-RING	2	
16	544 95 34-01	FRAME TUBE	1	
17	725 23 31-71	SCREW	1	
18	544 96 24-01	SPRING	2	
19	544 96 28-01	FENDER	1	
20	544 96 29-01	SHACKLE	2	
21	732 25 14-01	LOCK NUT	5	
22	725 24 65-71	SCREW	1	
23	734 11 63-01	WASHER	1	
24	544 91 82-01	TURNING KNOB	1	
25	544 91 84-01	HOLDER	1	
26	544 92 07-01	SUPPORT	1	
27	731 23 18-01	NUT	1	
28	544 92 39-01	ROD	1	
29	544 95 38-01	FRAME TUBE	1	Incl. 1, 2, 30 - 33
30	502 53 00-01	WHEEL	1	
31	544 95 39-01	FRAME	1	
32	501 01 98-01	SPRING PIN	1	
33	544 92 27-01	COVER LID	1	

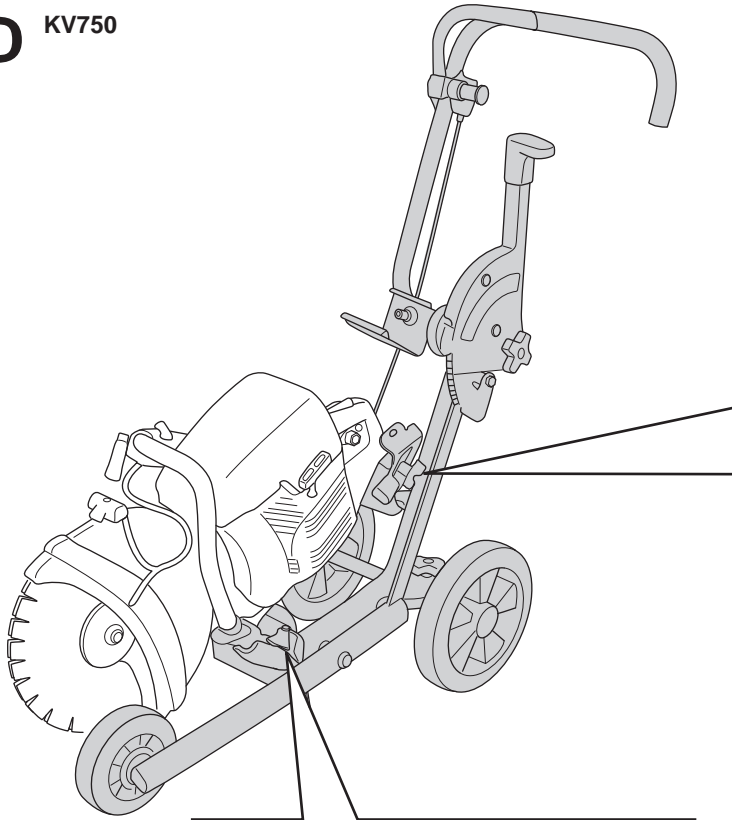
**C** KV750



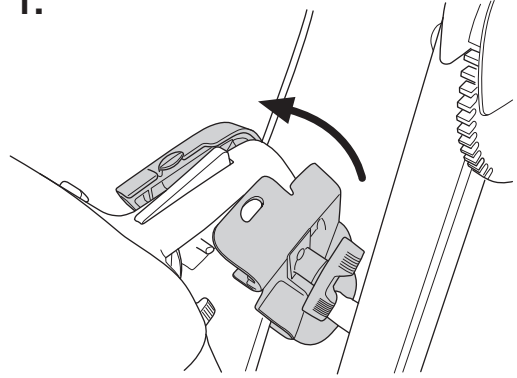
**Page C**  
**KV750**

Pos.	Part No.	Description	Quantity	Notes
1	544 95 73-01	HOLDER ASSY	1	Incl. 2 - 23
2	544 98 27-01	NUT	1	
3	501 02 00-01	KNOB	1	
4	725 24 49-71	SCREW	1	
5	544 92 55-01	SPACING SLEEVE	1	
6	544 95 74-01	HOLDER	1	
7	544 91 44-01	HOLDER	1	
8	544 92 57-01	LEVER	1	
9	544 92 58-01	SHAFT	1	
10	502 46 52-01	SCREW	5	
11	544 92 56-01	NUT	1	
12	544 98 28-01	SPRING	1	
13	501 01 80-01	WASHER	1	
14	501 02 02-01	SHAFT	1	
15	544 91 47-01	HOLDER	1	
16	544 92 59-01	SHEET	1	
17	732 25 16-01	NUT	1	
18	734 11 54-41	WASHER	1	
19	544 91 45-01	HOLDER	1	
20	544 95 75-01	HOLDER	1	
21	544 98 01-01	PACKING	1	
22	725 23 80-51	SCREW	1	
23	544 92 47-01	SHAFT	1	
24	735 31 10-01	RETAINING RING	2	
25	506 29 55-12	WATER TANK	1	Incl. 25, 27 - 33
26	506 30 84-01	WATER TANK	1	Incl. 26
27	506 30 85-01	CAP	1	
28	504 12 50-17	ANTIVIBE ELEMENT	1	
29	506 30 94-01	KNOB	1	
30	720 12 71-52	PIN	1	
31	506 30 92-01	NUT	1	
32	506 31 41-01	VALVE	1	
33	740 48 12-04	O-RING	1	
34	506 30 20-02	LABEL	1	
35	506 31 42-01	HOSE	1	

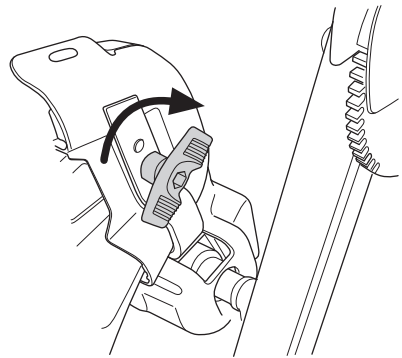
**D** KV750



**1.**



**2.**



**3.**

