



## KV750

Reservdelar

Spare parts

Ersatzteile

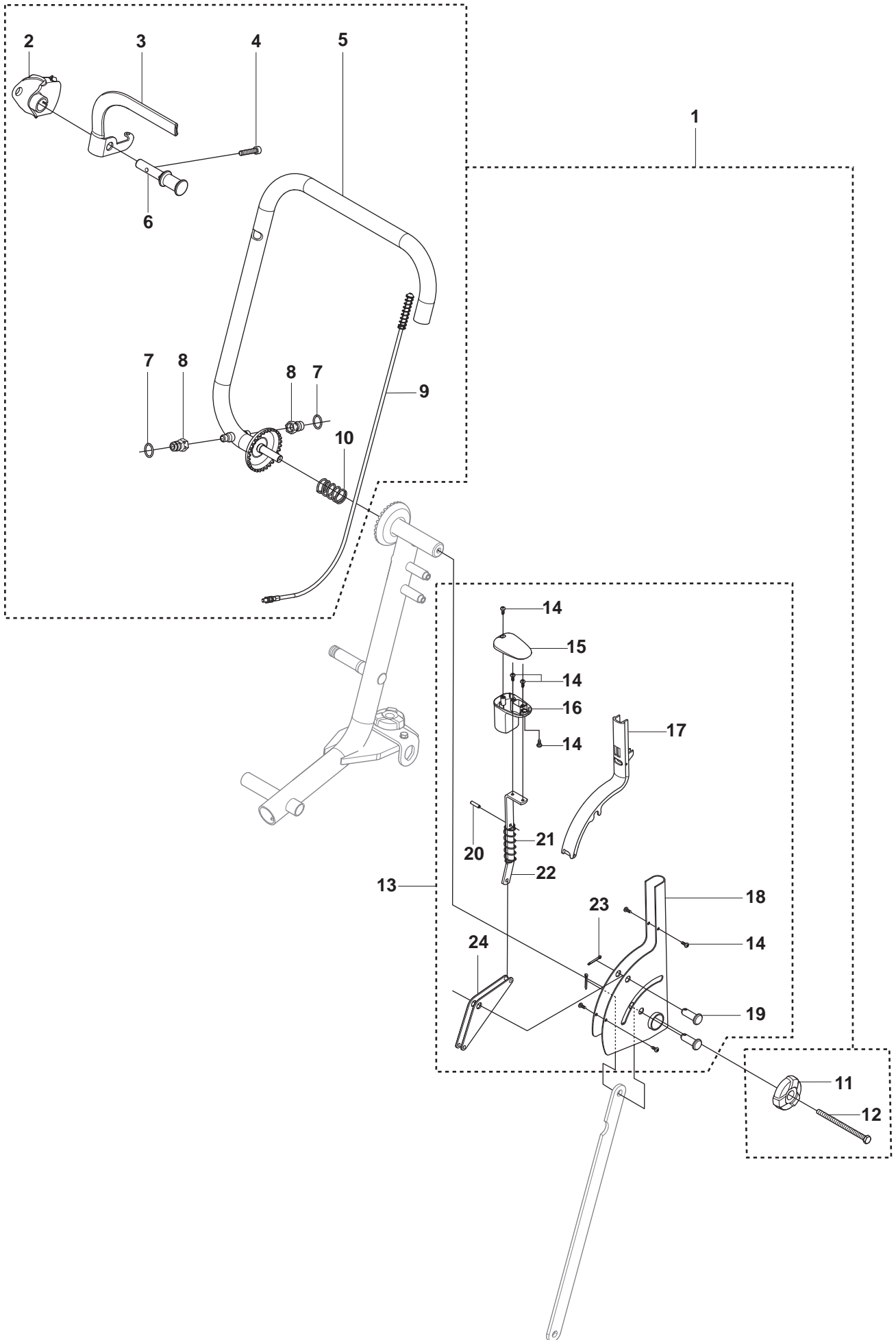
Pieces de rechange

Piezas de repuesto

Ricambi

Peças sobresselente

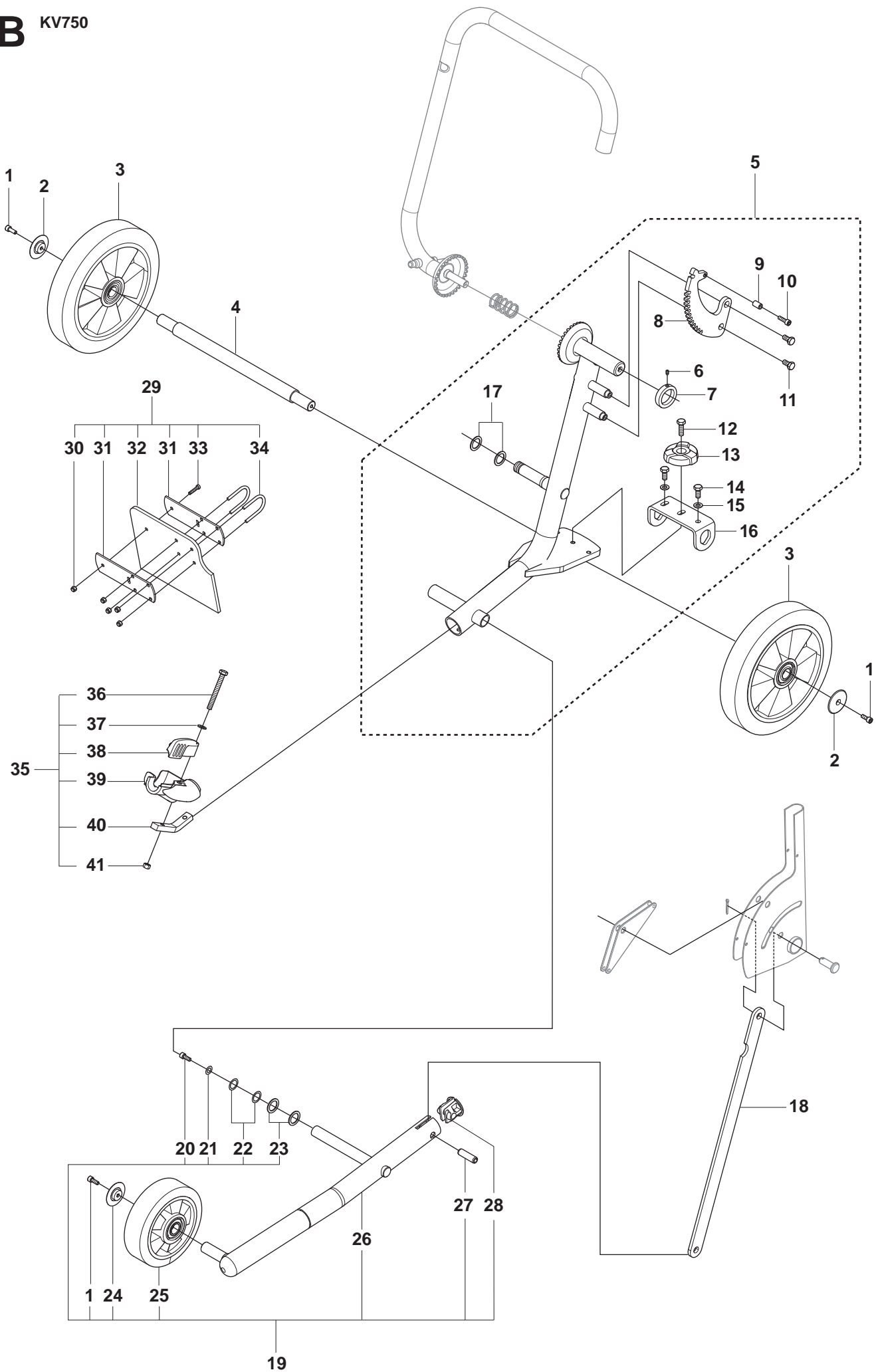
**A** KV750



**Page A**  
**KV750**

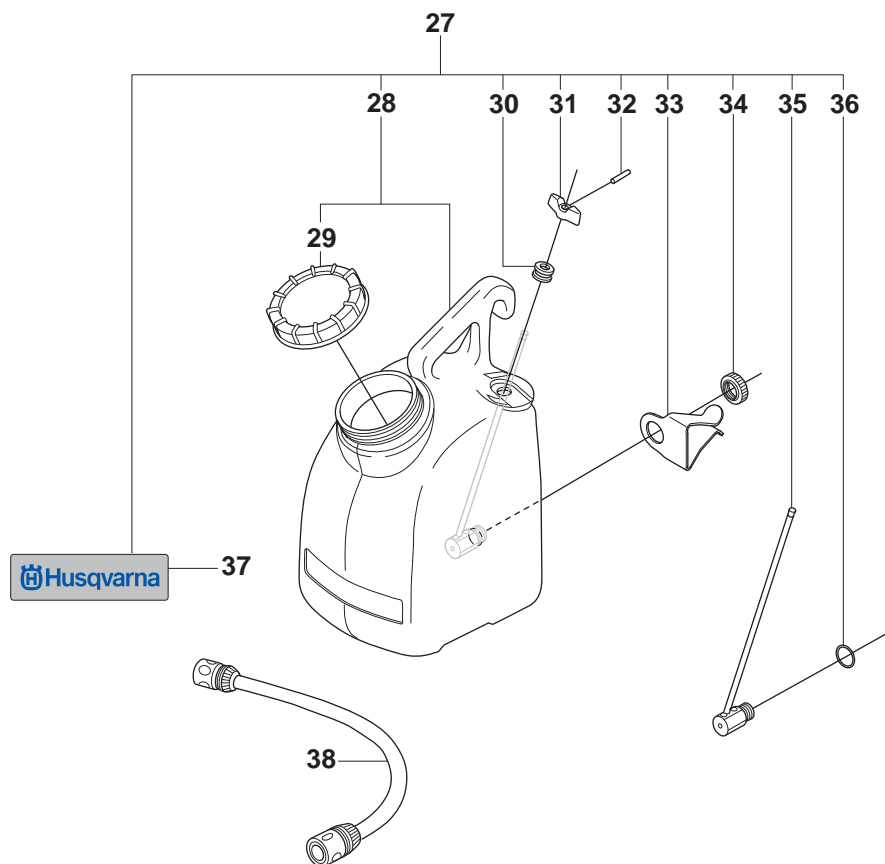
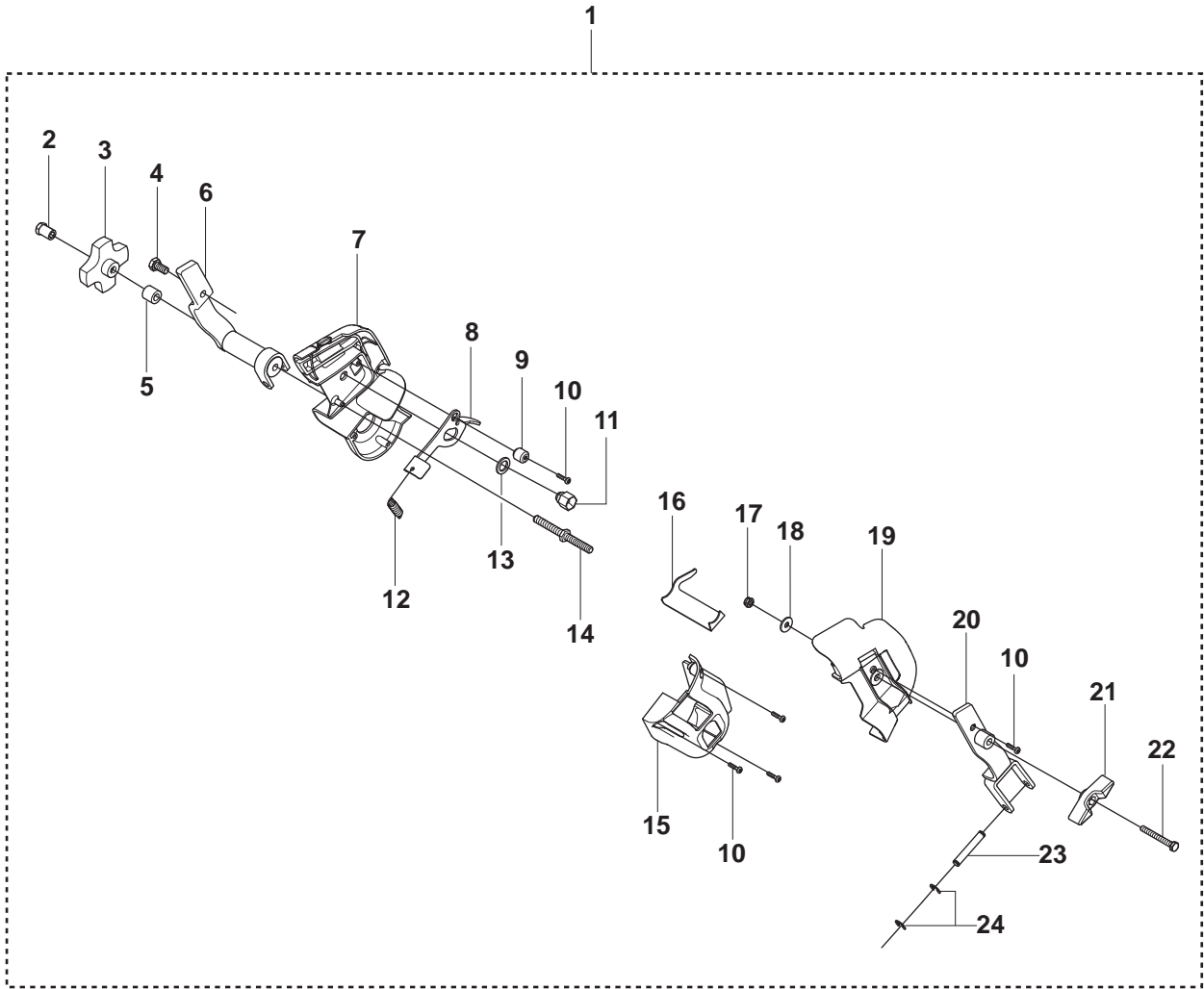
| <b>Pos.</b> | <b>Part No.</b> | <b>Description</b>     | <b>Quantity</b> | <b>Notes</b>  | <b>New Part</b> |
|-------------|-----------------|------------------------|-----------------|---------------|-----------------|
| 1           | 544 95 35-03    | HANDLEBAR ASSY         | 1               | Incl. 2 - 12  | New Part        |
| 2           | 544 91 97-01    | COVER                  | 1               |               |                 |
| 3           | 544 95 37-01    | THROTTLE HANDLE ASSY   | 1               |               |                 |
| 4           | 725 54 59-01    | SCREW                  | 1               |               |                 |
| 5           | 544 95 36-01    | HANDLE                 | 1               |               |                 |
| 6           | 544 92 11-01    | SHAFT                  | 1               |               |                 |
| 7           | 502 46 51-01    | O-RING                 | 2               |               |                 |
| 8           | 506 30 87-01    | COUPLER                | 2               |               |                 |
| 9           | 544 98 18-01    | WIRE ASSY              | 1               |               |                 |
| 10          | 544 98 16-01    | SPRING THROTTLE CONTR. | 1               |               |                 |
| 11          | 504 56 93-01    | KNOB                   | 1               |               | New Part        |
| 12          | 725 24 75-51    | SCREW                  | 1               |               |                 |
| 13          | 544 95 69-02    | LEVER                  | 1               | Incl. 14 - 24 |                 |
| 14          | 729 53 42-01    | SCREW                  | 8               |               |                 |
| 15          | 544 91 53-01    | KNOB                   | 1               |               |                 |
| 16          | 544 91 54-01    | KNOB                   | 1               |               |                 |
| 17          | 544 91 55-01    | COVER                  | 1               |               |                 |
| 18          | 544 95 70-01    | LEVER                  | 1               |               |                 |
| 19          | 721 85 14-01    | CLEVIS PIN             | 2               |               |                 |
| 20          | 721 43 08-01    | PIN                    | 1               |               |                 |
| 21          | 544 98 25-01    | SPRING                 | 1               |               |                 |
| 22          | 544 95 71-01    | ROD                    | 1               |               |                 |
| 23          | 721 61 82-01    | LOCKING PIN            | 2               |               |                 |
| 24          | 502 30 42-01    | PLATE                  | 1               |               |                 |

**B** KV750



**Page B**  
**KV750**

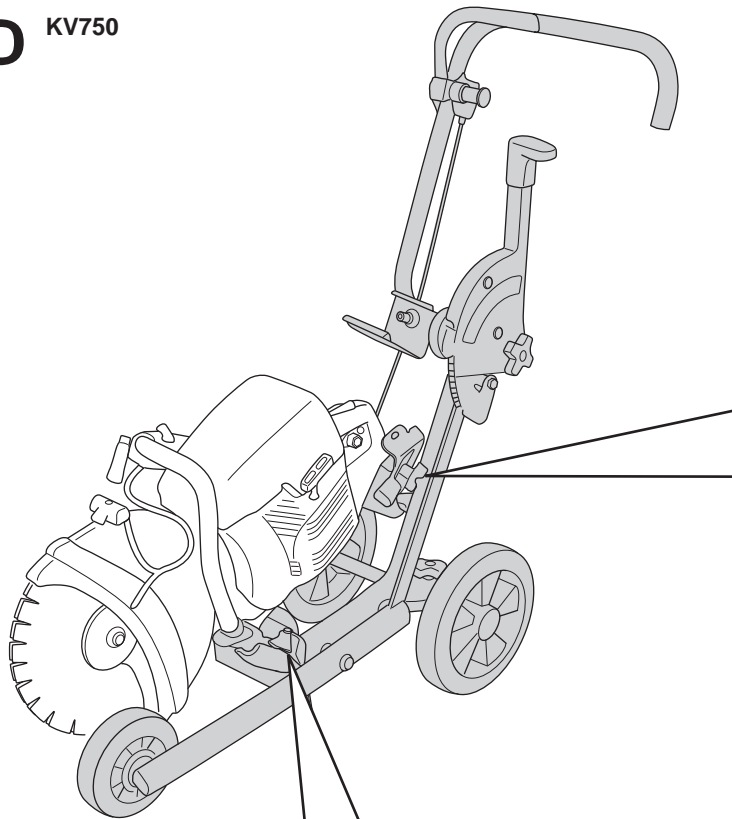
| Pos. | Part No.     | Description    | Quantity | Notes         | New Part |
|------|--------------|----------------|----------|---------------|----------|
| 1    | 725 53 68-01 | SCREW          | 3        |               |          |
| 2    | 501 32 12-01 | WASHER         | 2        |               |          |
| 3    | 504 18 55-01 | WHEEL          | 2        |               |          |
| 4    | 544 91 94-01 | SHAFT          | 1        |               |          |
| 5    | 504 73 53-02 | FRAME          | 1        | Incl. 6 - 17  | New Part |
| 6    | 542 13 97-69 | STOP SCREW     | 1        |               | New Part |
| 7    | 504 59 57-01 | WASHER         | 1        |               | New Part |
| 8    | 544 91 99-01 | SHEET          | 1        |               |          |
| 9    | 544 96 26-01 | SPACING SLEEVE | 1        |               |          |
| 10   | 725 53 70-01 | SCREW          | 1        |               | New Part |
| 11   | 725 24 49-71 | SCREW          | 2        |               | New Part |
| 12   | 505 45 61-01 | SCREW          | 1        |               | New Part |
| 13   | 504 56 93-01 | KNOB           | 1        |               | New Part |
| 14   | 725 24 51-71 | SCREW          | 2        |               | New Part |
| 15   | 734 11 65-41 | WASHER         | 2        |               |          |
| 16   | 501 32 13-01 | BRACKET        | 1        |               |          |
| 17   | 502 46 51-01 | O-RING         | 2        |               |          |
| 18   | 544 92 39-02 | ROD            | 1        |               |          |
| 19   | 506 49 70-02 | FRAME TUBE     | 1        | Incl. 20 - 28 | New Part |
| 20   | 725 24 49-71 | SCREW          | 1        |               |          |
| 21   | 504 58 11-01 | WASHER         | 1        |               |          |
| 22   | 501 01 96-01 | O-RING         | 2        |               |          |
| 23   | 504 58 10-01 | CUP SPRING     | 2        |               |          |
| 24   | 506 49 73-01 | PLATE          | 1        |               |          |
| 25   | 543 04 59-54 | WHEEL          | 1        |               |          |
| 26   | 506 49 75-01 | FRAME TUBE     | 1        |               |          |
| 27   | 501 01 98-01 | SPRING PIN     | 1        |               |          |
| 28   | 544 92 27-01 | COVER LID      | 1        |               |          |
| 29   | 510 06 85-01 | FENDER ASSY    | 1        | Incl. 30 - 34 | New Part |
| 30   | 732 25 14-01 | LOCK NUT       | 5        |               |          |
| 31   | 544 96 24-01 | SPRING         | 2        |               |          |
| 32   | 544 96 28-01 | FENDER         | 1        |               |          |
| 33   | 725 23 31-71 | SCREW          | 1        |               |          |
| 34   | 544 96 29-01 | SHACKLE        | 2        |               |          |
| 35   | 510 06 86-01 | HOLDER ASSY    | 1        | Incl. 36 - 41 | New Part |
| 36   | 725 24 65-71 | SCREW          | 1        |               |          |
| 37   | 734 11 63-01 | WASHER         | 1        |               |          |
| 38   | 544 91 82-01 | TURNING KNOB   | 1        |               |          |
| 39   | 544 91 84-01 | HOLDER         | 1        |               |          |
| 40   | 544 92 07-01 | SUPPORT        | 1        |               |          |
| 41   | 731 23 18-01 | NUT            | 1        |               |          |



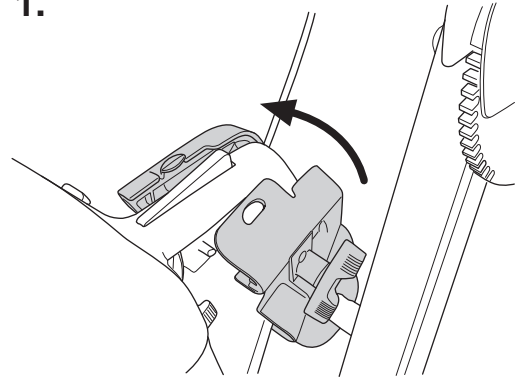
**Page C**  
**KV750**

| Pos. | Part No.     | Description           | Quantity | Notes             | New Part |
|------|--------------|-----------------------|----------|-------------------|----------|
| 1    | 544 95 73-02 | HOLDER ASSY           | 1        | Incl. 2 - 23      | New Part |
| 2    | 544 98 27-01 | NUT                   | 1        |                   |          |
| 3    | 501 02 00-01 | KNOB                  | 1        |                   |          |
| 4    | 725 24 49-71 | SCREW                 | 1        |                   |          |
| 5    | 544 92 55-01 | SPACING SLEEVE        | 1        |                   |          |
| 6    | 544 95 74-01 | HOLDER                | 1        |                   |          |
| 7    | 544 91 44-01 | HOLDER                | 1        |                   |          |
| 8    | 544 92 57-01 | LEVER                 | 1        |                   |          |
| 9    | 544 92 58-01 | SHAFT                 | 1        |                   |          |
| 10   | 502 46 52-01 | SCREW                 | 5        |                   |          |
| 11   | 544 92 56-01 | NUT                   | 1        |                   |          |
| 12   | 544 98 28-01 | SPRING                | 1        |                   |          |
| 13   | 501 01 80-01 | WASHER                | 1        |                   |          |
| 14   | 501 02 02-01 | SHAFT                 | 1        |                   |          |
| 15   | 544 91 47-01 | HOLDER                | 1        |                   |          |
| 16   | 544 92 59-01 | SHEET                 | 1        |                   |          |
| 17   | 732 25 16-01 | NUT                   | 1        |                   |          |
| 18   | 734 11 54-41 | WASHER                | 1        |                   |          |
| 19   | 544 91 45-01 | HOLDER                | 1        |                   |          |
| 20   | 544 95 75-01 | HOLDER                | 1        |                   |          |
| 21   | 544 98 01-01 | PACKING               | 1        |                   |          |
| 22   | 725 23 80-51 | SCREW                 | 1        |                   |          |
| 23   | 544 92 47-01 | SHAFT                 | 1        |                   |          |
| 24   | 735 31 10-01 | RETAINING RING        | 2        |                   |          |
| 27   | 502 62 16-02 | WATER TANK ASSY       | 1        | Incl. 28, 30 - 37 | New Part |
| 28   | 505 17 49-01 | WATER TANK            | 1        | Incl. 29          | New Part |
| 29   | 541 20 82-84 | CAP                   | 1        |                   | New Part |
| 30   | 504 12 50-17 | ANTIVIBRATION ELEMENT | 1        |                   |          |
| 31   | 506 30 94-01 | KNOB                  | 1        |                   |          |
| 32   | 721 42 56-26 | SPRING PIN            | 1        |                   |          |
| 33   | 505 45 09-01 | HOLDER                | 1        |                   | New Part |
| 34   | 506 30 92-01 | NUT                   | 1        |                   |          |
| 35   | 506 31 41-01 | VALVE                 | 1        |                   |          |
| 36   | 740 48 12-04 | O-RING                | 1        |                   |          |
| 37   | 504 54 58-01 | STICKER               | 1        |                   | New Part |
| 38   | 506 31 42-02 | HOSE                  | 1        |                   | New Part |
| 39   | 725 24 57-71 | SCREW                 | 1        |                   |          |

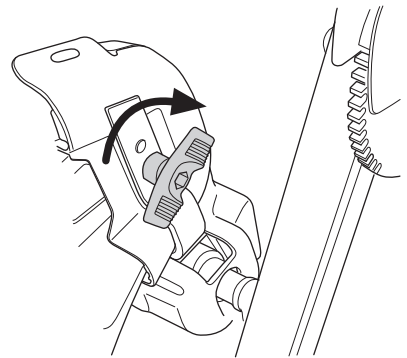
**D** KV750



**1.**



**2.**



**3.**

