



KV750

Reservdelar

Spare parts

Ersatzteile

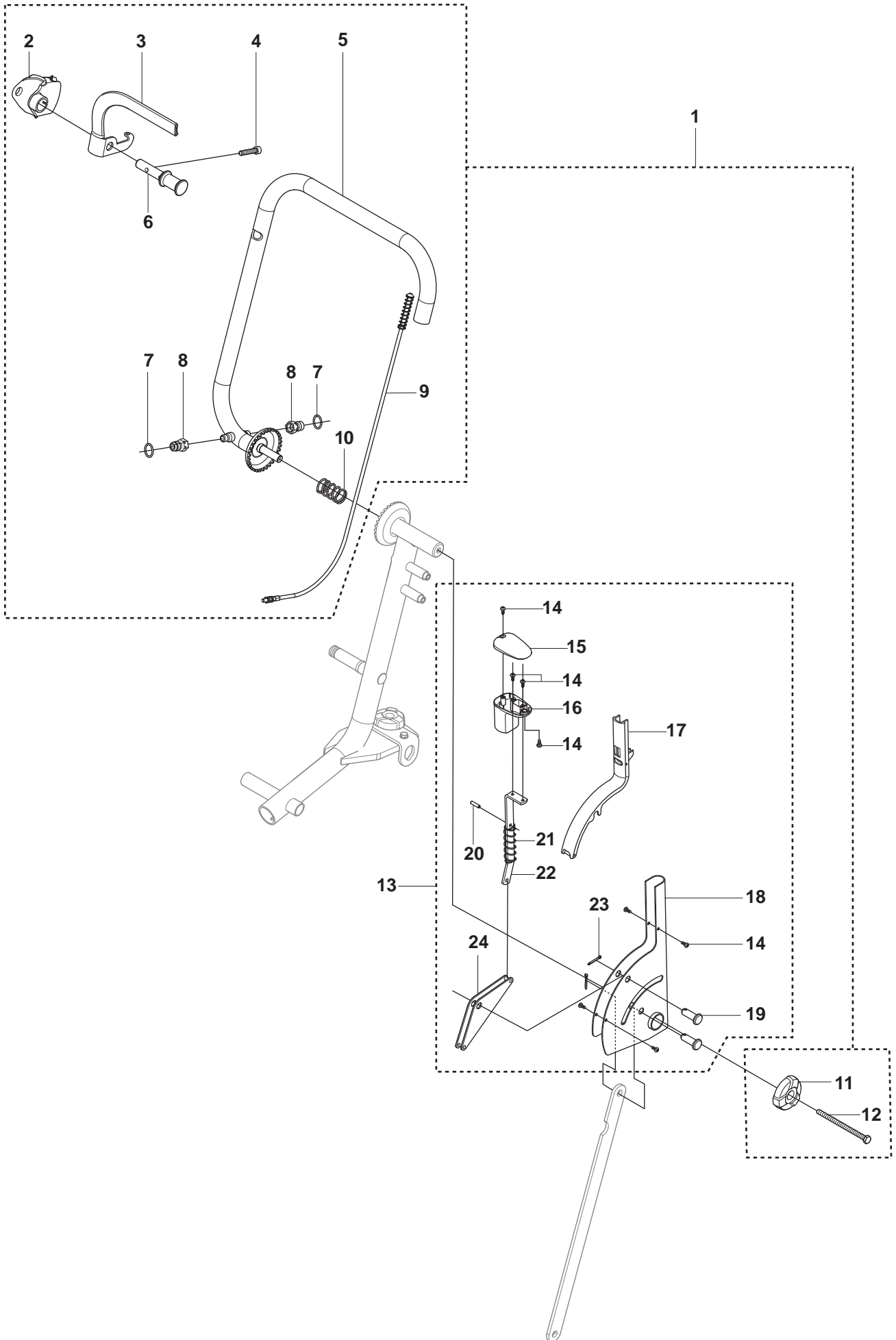
Pieces de rechange

Piezas de repuesto

Ricambi

Peças sobresselente

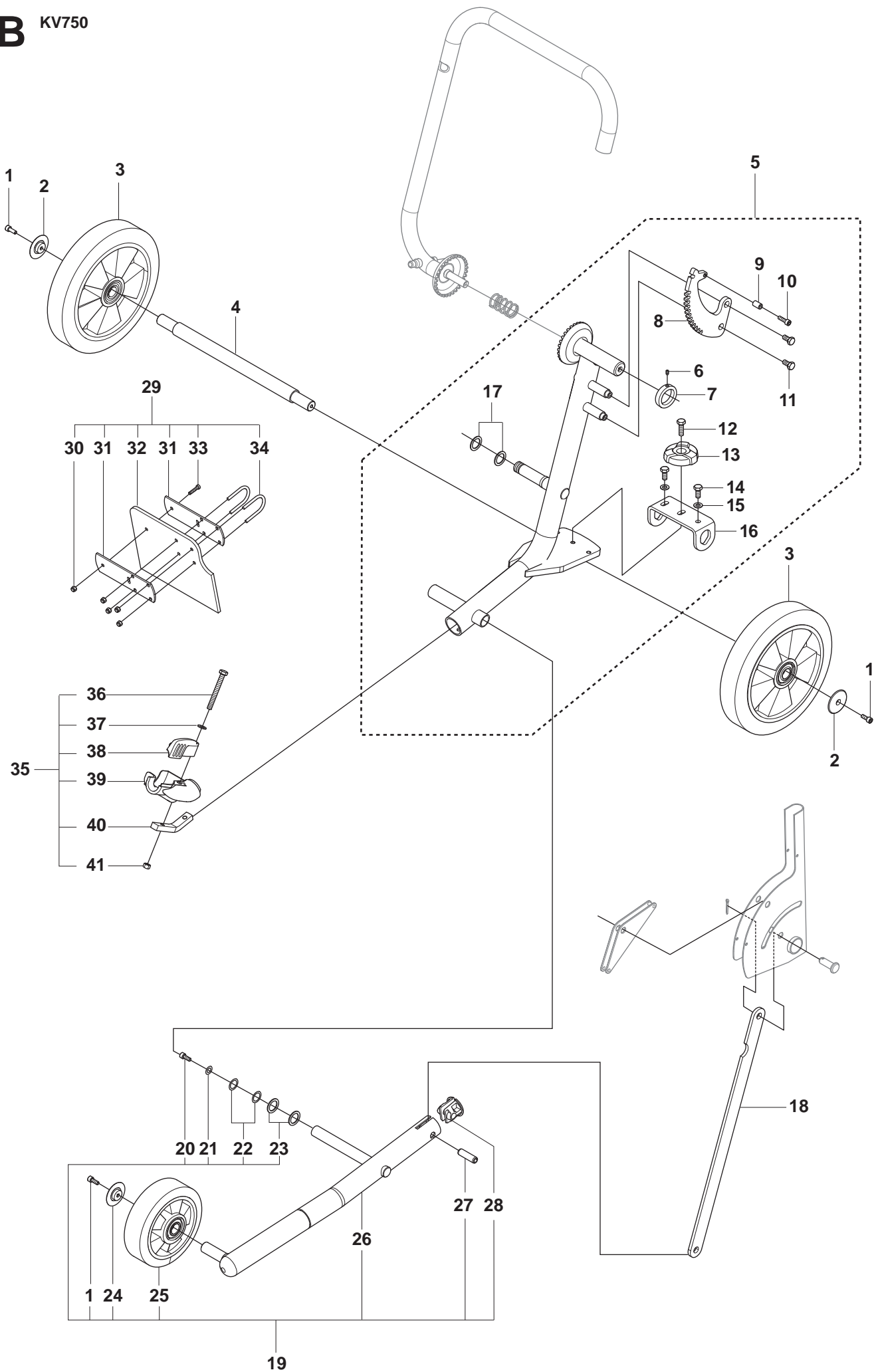
A KV750



Page A
KV750

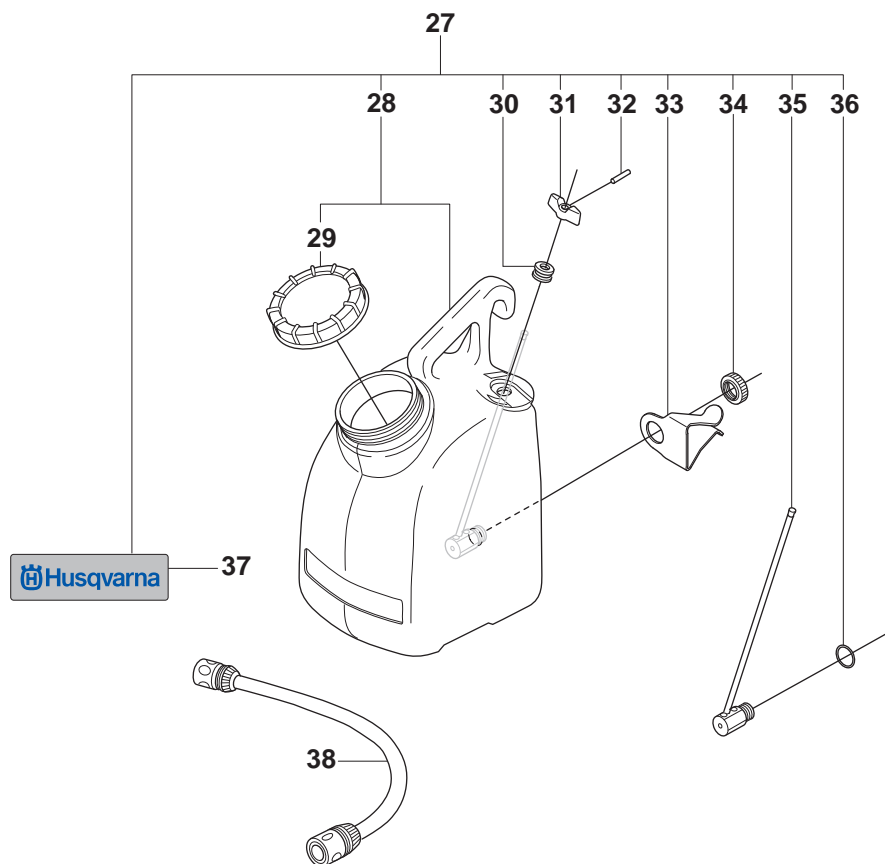
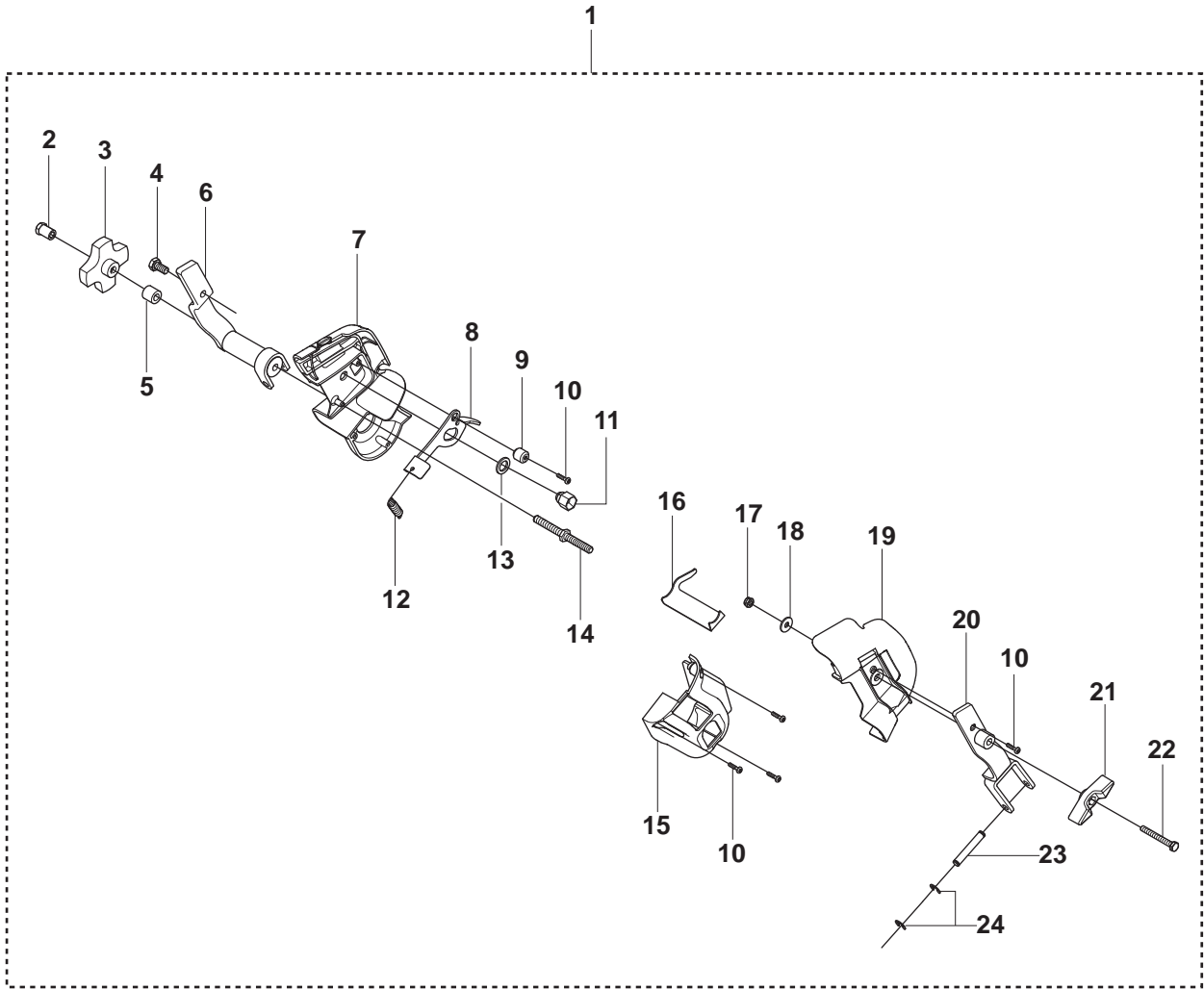
Pos.	Part No.	Description	Quantity	Notes	New Part
1	544 95 35-03	HANDLEBAR ASSY	1	Incl. 2 - 12	New Part
2	544 91 97-01	COVER	1		
3	544 95 37-01	THROTTLE HANDLE ASSY	1		
4	725 54 59-01	SCREW	1		
5	544 95 36-01	HANDLE	1		
6	544 92 11-01	SHAFT	1		
7	502 46 51-01	O-RING	2		
8	506 30 87-01	COUPLER	2		
9	544 98 18-01	WIRE ASSY	1		
10	544 98 16-01	SPRING THROTTLE CONTR.	1		
11	504 56 93-01	KNOB	1		New Part
12	725 24 75-51	SCREW	1		
13	544 95 69-02	LEVER	1	Incl. 14 - 24	
14	729 53 42-01	SCREW	8		
15	544 91 53-01	KNOB	1		
16	544 91 54-01	KNOB	1		
17	544 91 55-01	COVER	1		
18	544 95 70-01	LEVER	1		
19	721 85 14-01	CLEVIS PIN	2		
20	721 43 08-01	PIN	1		
21	544 98 25-01	SPRING	1		
22	544 95 71-01	ROD	1		
23	721 61 82-01	LOCKING PIN	2		
24	502 30 42-01	PLATE	1		

B KV750



Page B
KV750

Pos.	Part No.	Description	Quantity	Notes	New Part
1	725 53 68-01	SCREW	3		
2	501 32 12-01	WASHER	2		
3	504 18 55-01	WHEEL	2		
4	544 91 94-01	SHAFT	1		
5	504 73 53-02	FRAME	1	Incl. 6 - 17	New Part
6	542 13 97-69	STOP SCREW	1		New Part
7	504 59 57-01	WASHER	1		New Part
8	544 91 99-01	SHEET	1		
9	544 96 26-01	SPACING SLEEVE	1		
10	725 53 70-01	SCREW	1		New Part
11	725 24 49-71	SCREW	2		New Part
12	505 45 61-01	SCREW	1		New Part
13	504 56 93-01	KNOB	1		New Part
14	725 24 51-71	SCREW	2		New Part
15	734 11 65-41	WASHER	2		
16	501 32 13-01	BRACKET	1		
17	502 46 51-01	O-RING	2		
18	544 92 39-02	ROD	1		
19	506 49 70-02	FRAME TUBE	1	Incl. 20 - 28	New Part
20	725 24 49-71	SCREW	1		
21	504 58 11-01	WASHER	1		
22	501 01 96-01	O-RING	2		
23	504 58 10-01	CUP SPRING	2		
24	506 49 73-01	PLATE	1		
25	543 04 59-54	WHEEL	1		
26	506 49 75-01	FRAME TUBE	1		
27	501 01 98-01	SPRING PIN	1		
28	544 92 27-01	COVER LID	1		
29	510 06 85-01	FENDER ASSY	1	Incl. 30 - 34	New Part
30	732 25 14-01	LOCK NUT	5		
31	544 96 24-01	SPRING	2		
32	544 96 28-01	FENDER	1		
33	725 23 31-71	SCREW	1		
34	544 96 29-01	SHACKLE	2		
35	510 06 86-01	HOLDER ASSY	1	Incl. 36 - 41	New Part
36	725 24 65-71	SCREW	1		
37	734 11 63-01	WASHER	1		
38	544 91 82-01	TURNING KNOB	1		
39	544 91 84-01	HOLDER	1		
40	544 92 07-01	SUPPORT	1		
41	731 23 18-01	NUT	1		



Page C
KV750

Pos.	Part No.	Description	Quantity	Notes	New Part
1	544 95 73-02	HOLDER ASSY	1	Incl. 2 - 23	New Part
2	544 98 27-01	NUT	1		
3	501 02 00-01	KNOB	1		
4	725 24 49-71	SCREW	1		
5	544 92 55-01	SPACING SLEEVE	1		
6	544 95 74-01	HOLDER	1		
7	544 91 44-01	HOLDER	1		
8	544 92 57-01	LEVER	1		
9	544 92 58-01	SHAFT	1		
10	502 46 52-01	SCREW	5		
11	544 92 56-01	NUT	1		
12	544 98 28-01	SPRING	1		
13	501 01 80-01	WASHER	1		
14	501 02 02-01	SHAFT	1		
15	544 91 47-01	HOLDER	1		
16	544 92 59-01	SHEET	1		
17	732 25 16-01	NUT	1		
18	734 11 54-41	WASHER	1		
19	544 91 45-01	HOLDER	1		
20	544 95 75-01	HOLDER	1		
21	544 98 01-01	PACKING	1		
22	725 23 80-51	SCREW	1		
23	544 92 47-01	SHAFT	1		
24	735 31 10-01	RETAINING RING	2		
27	502 62 16-02	WATER TANK ASSY	1	Incl. 28, 30 - 37	New Part
28	505 17 49-01	WATER TANK	1	Incl. 29	New Part
29	541 20 82-84	CAP	1		New Part
30	504 12 50-17	ANTIVIBRATION ELEMENT	1		
31	506 30 94-01	KNOB	1		
32	721 42 56-26	SPRING PIN	1		
33	505 45 09-01	HOLDER	1		New Part
34	506 30 92-01	NUT	1		
35	506 31 41-01	VALVE	1		
36	740 48 12-04	O-RING	1		
37	504 54 58-01	STICKER	1		New Part
38	506 31 42-02	HOSE	1		New Part
39	725 24 57-71	SCREW	1		