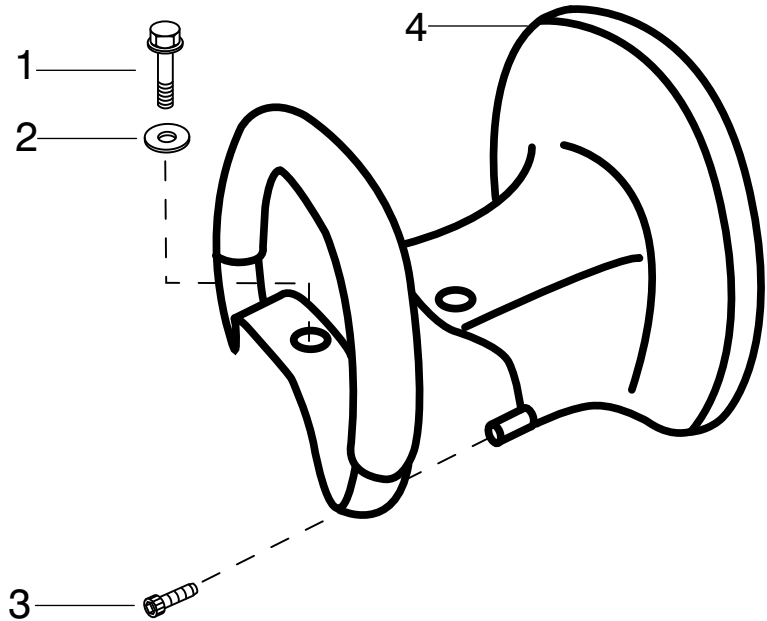


TYPE 1,2



| Ref. | Part No. | Description |
|------------------|-----------|--|
| 1. | 725238051 | Bolt - Hex |
| 2. | 734115201 | Washer - Flat (M6) |
| 3. | 503216816 | Screw |
| 4. | 544118904 | Assy - Handguard (Incl. warning decal) |
| Not Shown | | |
| | 544044102 | Decal - Warning |
| | 530031159 | Hex Wrench (5/32") |

✓ = New Part Number For This IPL

★ = Refer to the Service Reference Indicated for more information.(Located at the END of the IPL)