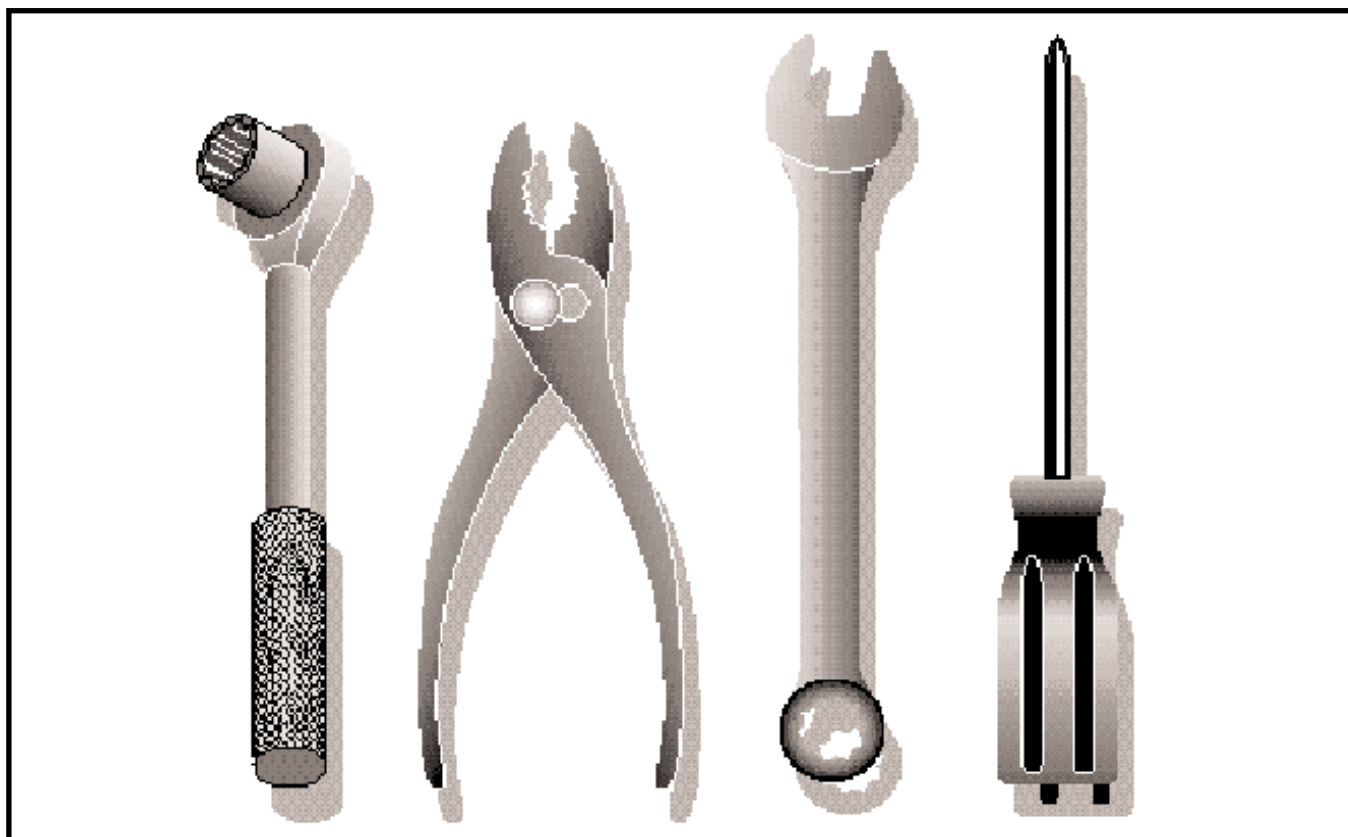


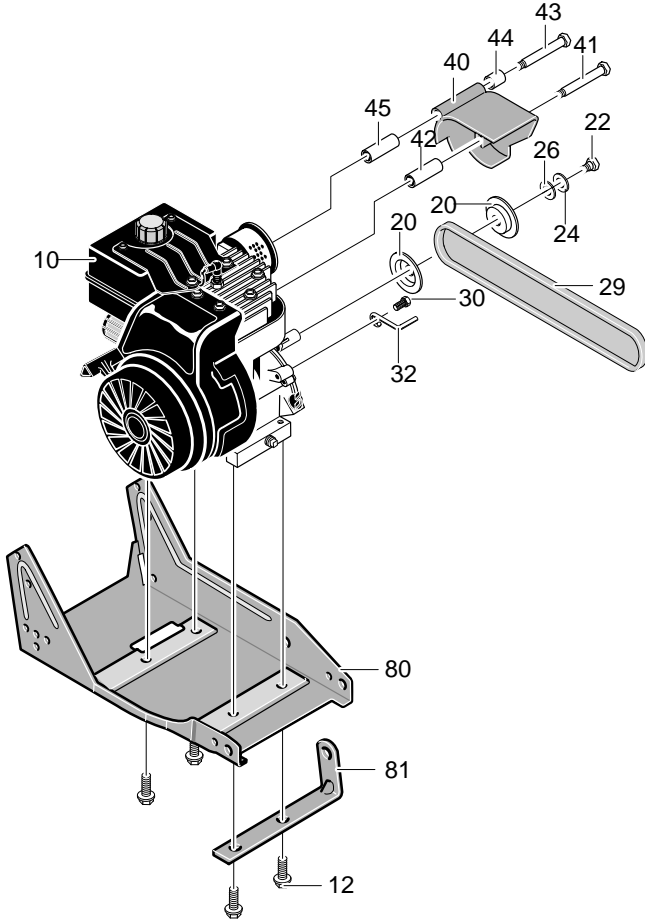
Edger

LE 389



MODEL LE389

FACTORY NO. 13051x37NA

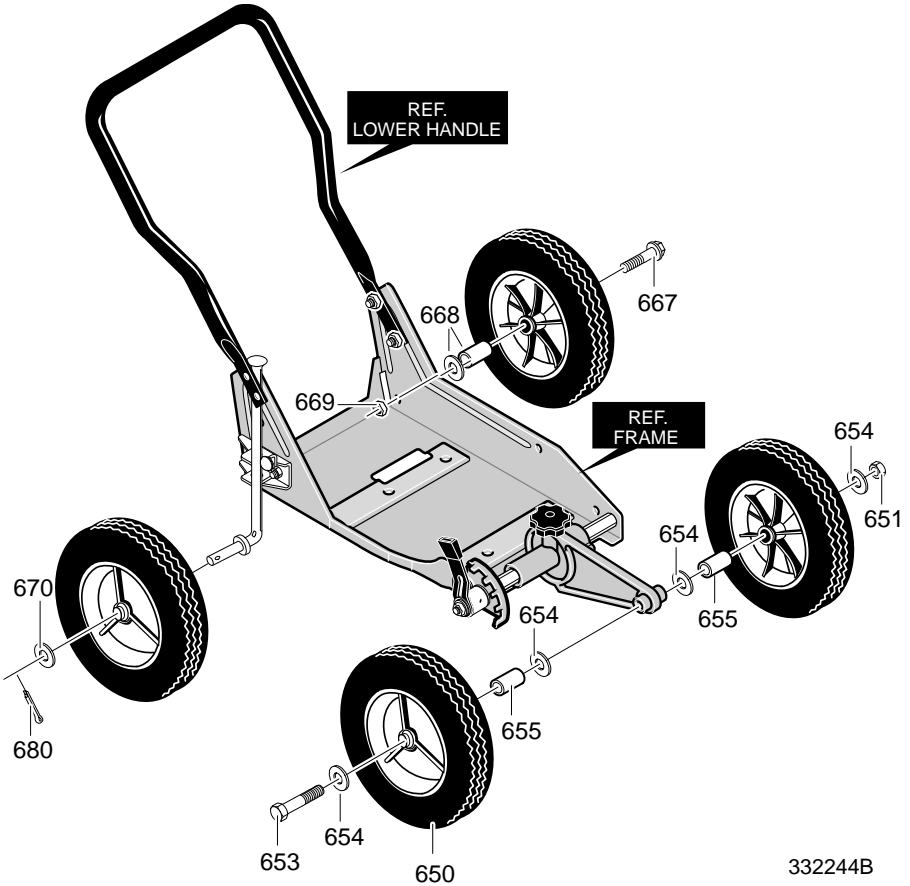


323095F

KEY NO.	PART NO.	DESCRIPTION	KEY NO.	PART NO.	DESCRIPTION
10	-----	Engine	40	601 00 22 04	Cover, Engine Pulley
12	601 00 08 35	Screw, 3/8-16x1.00	41	601 00 00 80	Screw, 5/16-24x3.00
20	601 00 22 03	Pulley, Half	42	601 00 22 05	Spacer, Sleeve
22	601 00 13 27	Screw, 5/16-24x1.00	43	601 00 22 06	Screw, 5/16-24x3.75
24	601 00 00 23	Washer	44	601 00 22 07	Spacer
26	601 00 05 47	Flatwasher	45	601 00 22 05	Spacer, Sleeve
29	601 00 05 09	Belt, V4L 32.60LG	80	601 00 22 08	Frame, Assy. Edger
30	601 00 14 33	Screw and Washer Assy	81	601 00 22 09	Strap
32	601 00 05 80	Guide, Belt	--	601 00 24 69	Instruction Manual

MODEL LE389

FACTORY NO. 13051x37NA

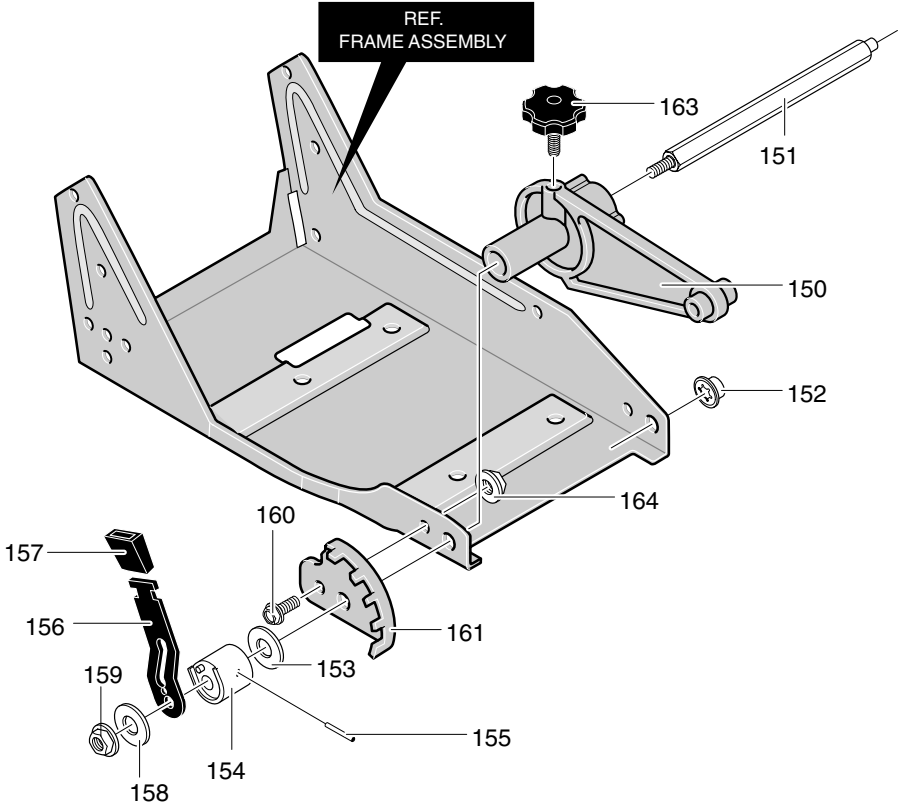


332244B

KEY NO.	PART NO.	DESCRIPTION	KEY NO.	PART NO.	DESCRIPTION
650	601 00 22 49	Tire & Rim	667	601 00 22 50	Bolt, SHH 3/8-16
651	601 00 08 67	Nut, 5/16-18	668	601 00 22 51	Spacer & Washer
653	601 00 00 86	Screw, 5/16-18x4.50	669	601 00 05 42	Nut, 3/8-16
654	601 00 00 19	Flatwasher	670	601 00 01 09	Flatwasher
655	601 00 05 87	Spacer, Sleeve	680	601 00 00 25	Cotter Pin

MODEL LE389

FACTORY NO. 13051x37NA

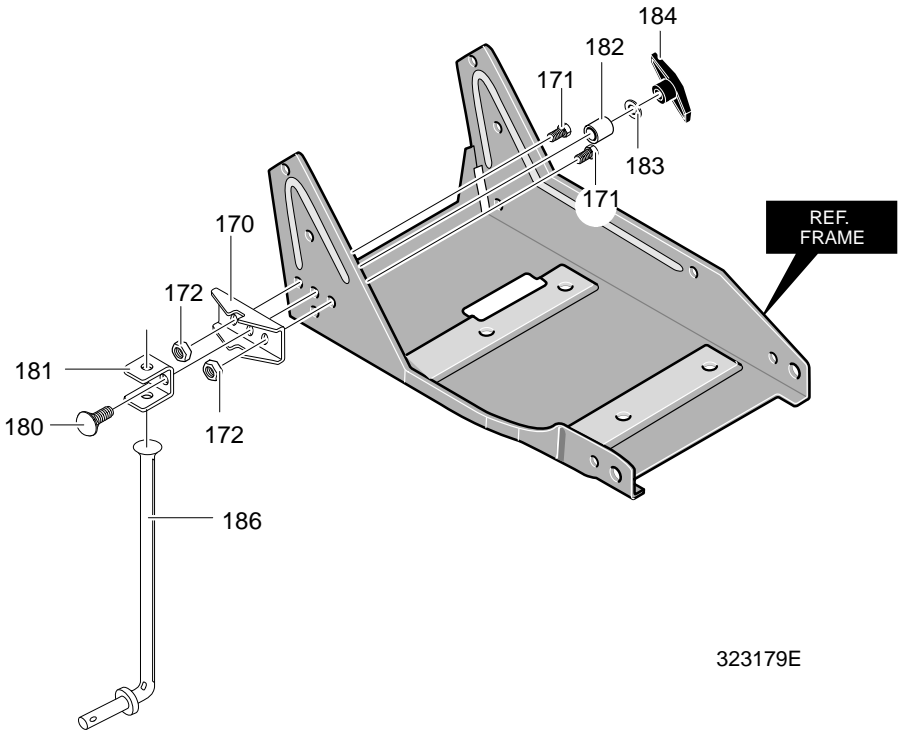


331765E

KEY NO.	PART NO.	DESCRIPTION	KEY NO.	PART NO.	DESCRIPTION
150	601 00 22 33	Front Wheel Arm	157	601 00 22 40	Knob,Rectangle
151	601 00 22 34	Rod, Front Mount Curb	158	601 00 00 94	Flatwasher
152	601 00 22 35	Pushnut, Washer	159	601 00 22 41	Nut
153	601 00 22 36	PlasticWasher	160	601 00 22 27	Screw 5/16x18x.63
154	601 00 22 37	Spacer, Height Adjust	161	601 00 22 42	Plate, Height Adjust
155	601 00 22 38	Pin, Spring	163	601 00 22 43	Knob,Molded
156	601 00 22 39	Lever, Height Adjust	164	601 00 08 67	Nut, 5/16x18

MODEL LE389

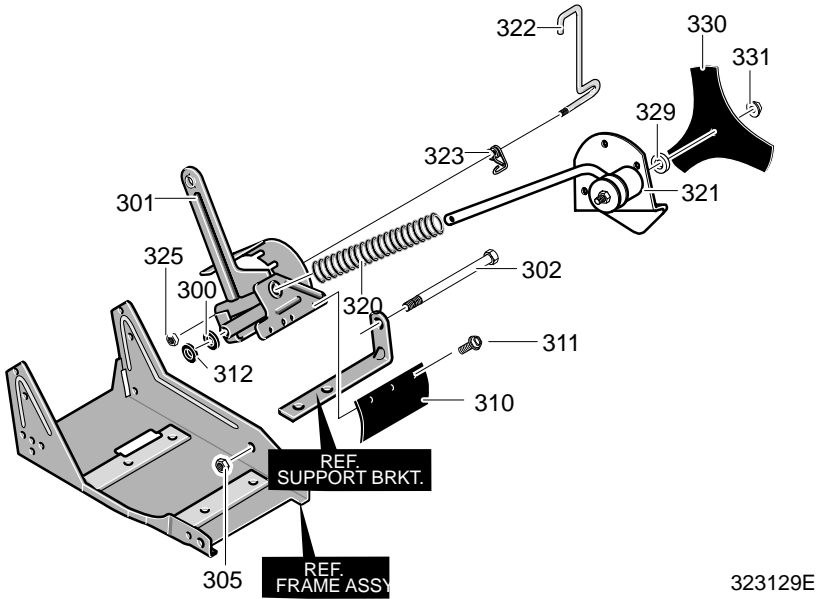
FACTORY NO. 13051x37NA



KEY NO.	PART NO.	DESCRIPTION	KEY NO.	PART NO.	DESCRIPTION
170	601 00 06 47	Bracket, Curb Hop Mnt	182	601 00 19 71	Spacer, Sleeve
171	601 00 00 73	Screw, 5/16-18x.75	183	601 00 00 19	Flatwasher
172	601 00 00 59	Nut, 5/16-18	184	601 00 06 84	Knob, Wing 5/16-18
180	601 00 19 70	Bolt, 5/16-18x2.00	186	601 00 19 72	Rod, Wheel Support
181	601 00 06 55	Clevis			

MODEL LE389

FACTORY NO. 13051x37NA

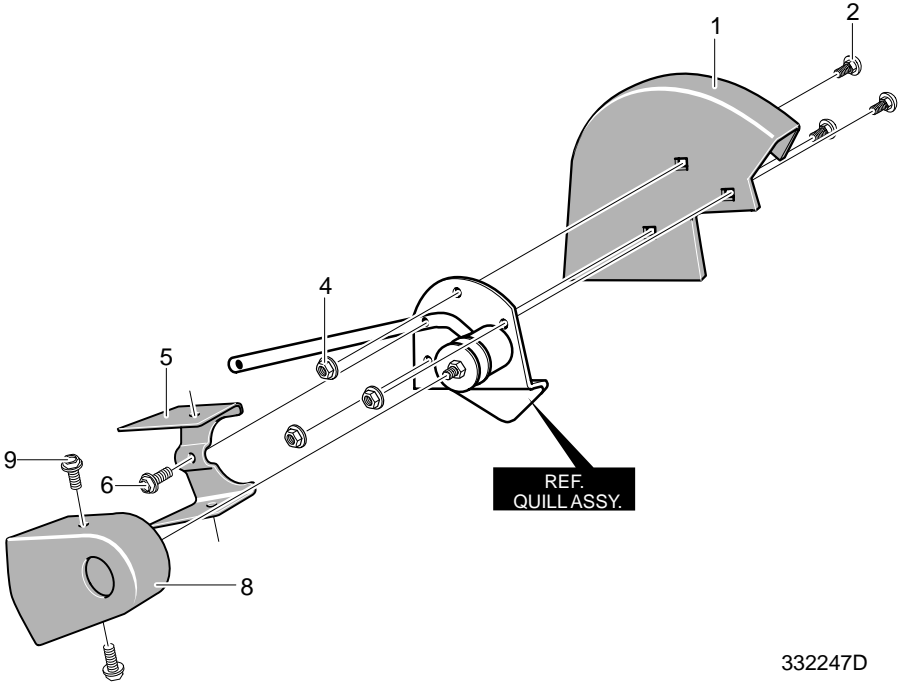


323129E

KEY NO.	PART NO.	DESCRIPTION	KEY NO.	PART NO.	DESCRIPTION
300	601 00 00 21	Flatwasher	321	601 00 21 97	Quill Assembly
301	601 00 21 96	Quill Support	322	601 00 22 44	Lever, Index
302	601 00 22 16	Bolt, 3/8-16	323	601 00 22 45	Spring, Torsion
305	601 00 24 07	Nut, 3/8-16	325	601 00 22 59	Nut, 5/16-18
310	601 00 22 17	Rubber Deflector	329	601 00 00 94	Flatwasher
311	601 00 22 18	Screw, 10-16x1.50	330	601 00 22 46	Blade, Edger
312	601 00 22 13	Flatwasher	331	601 00 05 52	Nut, 1/2-20
320	601 00 23 14	Spring, Compression			

MODEL LE389

FACTORY NO. 13051x37NA

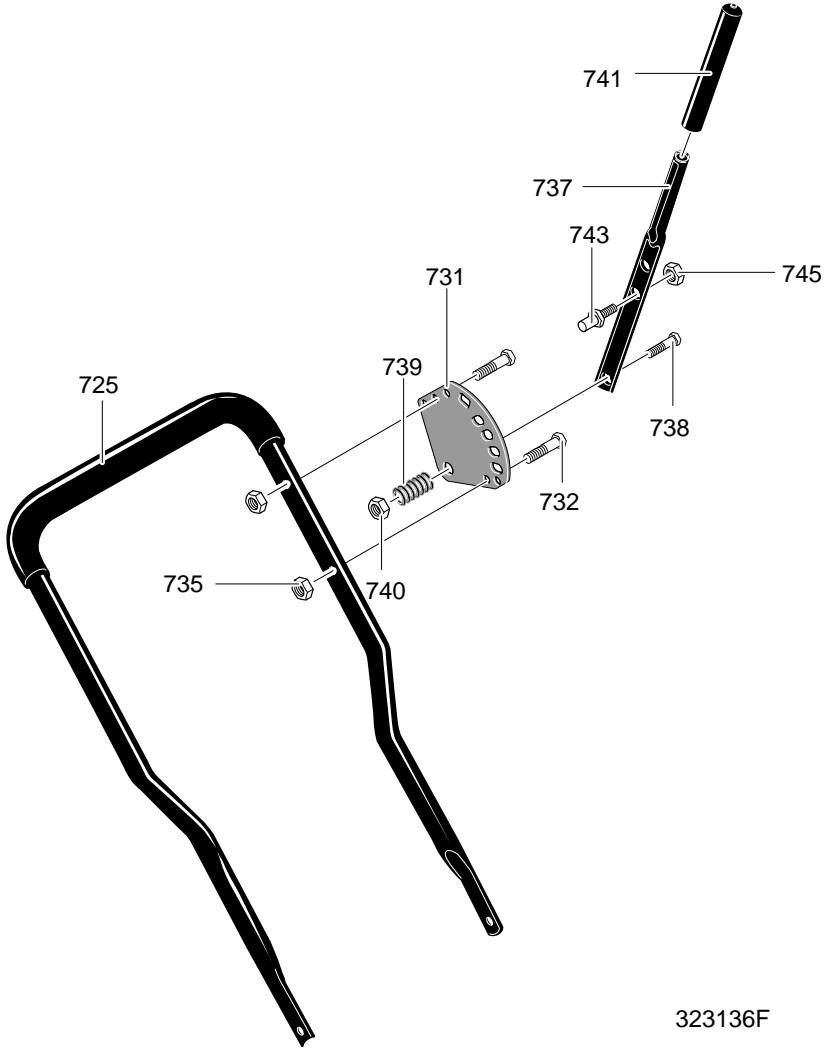


332247D

KEY NO.	PART NO.	DESCRIPTION
1	601 00 22 10	Blade Guard
2	601 00 07 86	Bolt, Carriage 5/16-18x.63
4	601 00 08 67	Nut, 5/16-18
5	601 00 22 11	Guide, Belt Front
6	601 00 21 95	Screw, 1/4-20x.50
8	601 00 19 78	Cover, Quill Pulley
9	601 00 24 70	Screw, 10-16x.50

MODEL LE389

FACTORY NO. 13051x37NA



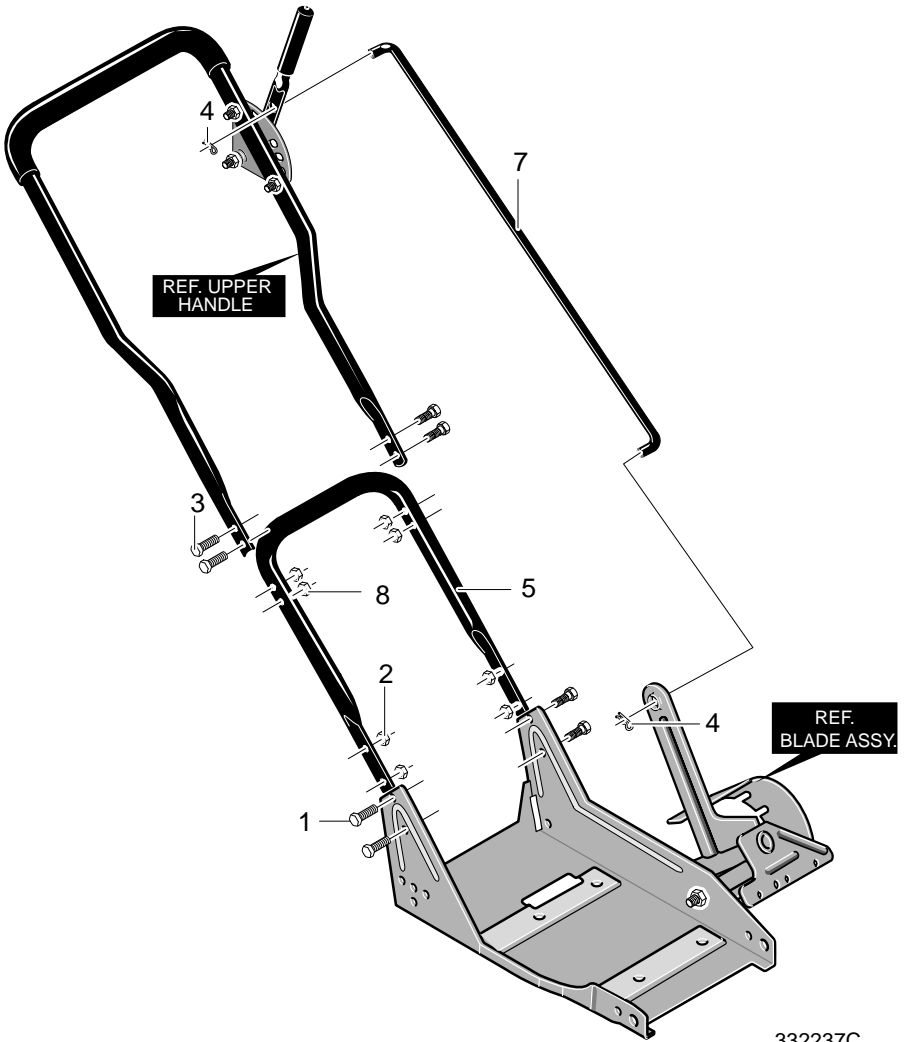
323136F

KEY NO.	PART NO.	DESCRIPTION
725	601 00 21 98	Upper Handle & Foam
731	601 00 22 22	Selector Plate
732	601 00 00 69	Screw, 1/4-20x1.25
735	601 00 23 18	Nut, 1/4-20
737	601 00 22 23	Depth Adjust Handle
738	601 00 19 84	Screw, 5/16-18x1.25

KEY NO.	PART NO.	DESCRIPTION
739	601 00 01 01	Spring, Compression
740	601 00 00 59	Nut, 5/16-18
741	601 00 22 48	Grip, Hand
743	601 00 22 25	Stud
745	601 00 24 07	Nut, 3/8-16

MODEL LE389

FACTORY NO. 13051x37NA

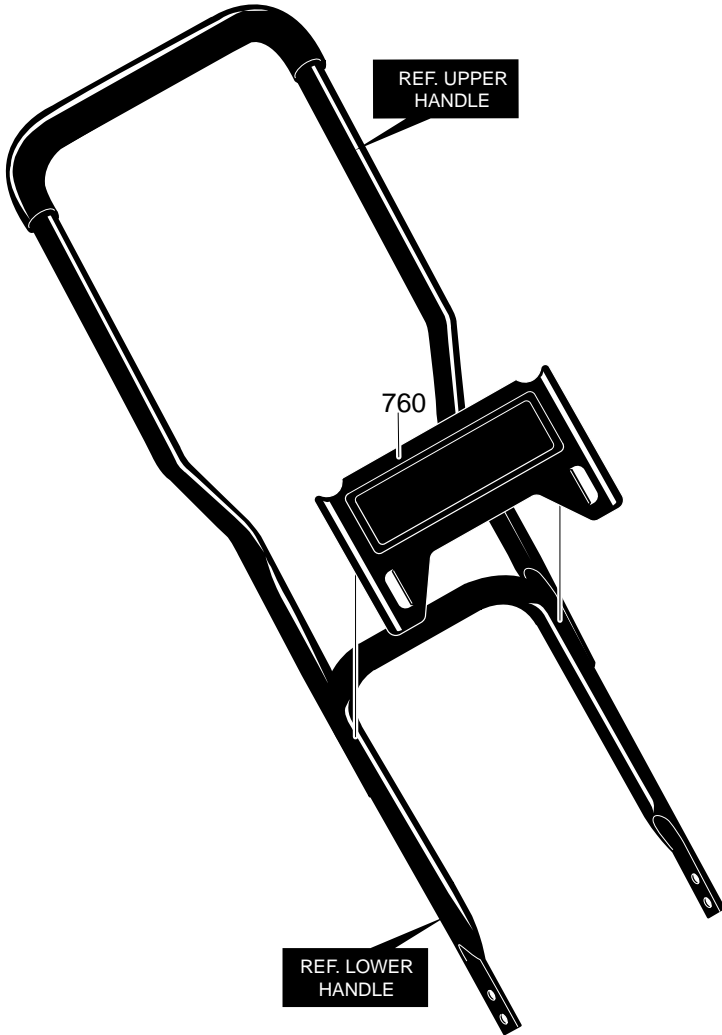


332237C

KEY NO.	PART NO.	DESCRIPTION	KEY NO.	PART NO.	DESCRIPTION
1	601 00 22 27	Screw, 5/16-18x.63	5	601 00 22 28	Lower Handle
2	601 00 00 59	Nut, 5/16-18	7	601 00 22 47	Control Rod
3	601 00 12 94	Bolt, 5/16-18x1.63	8	601 00 00 59	Nut 5/16-18
4	601 00 05 23	Hair Pin			

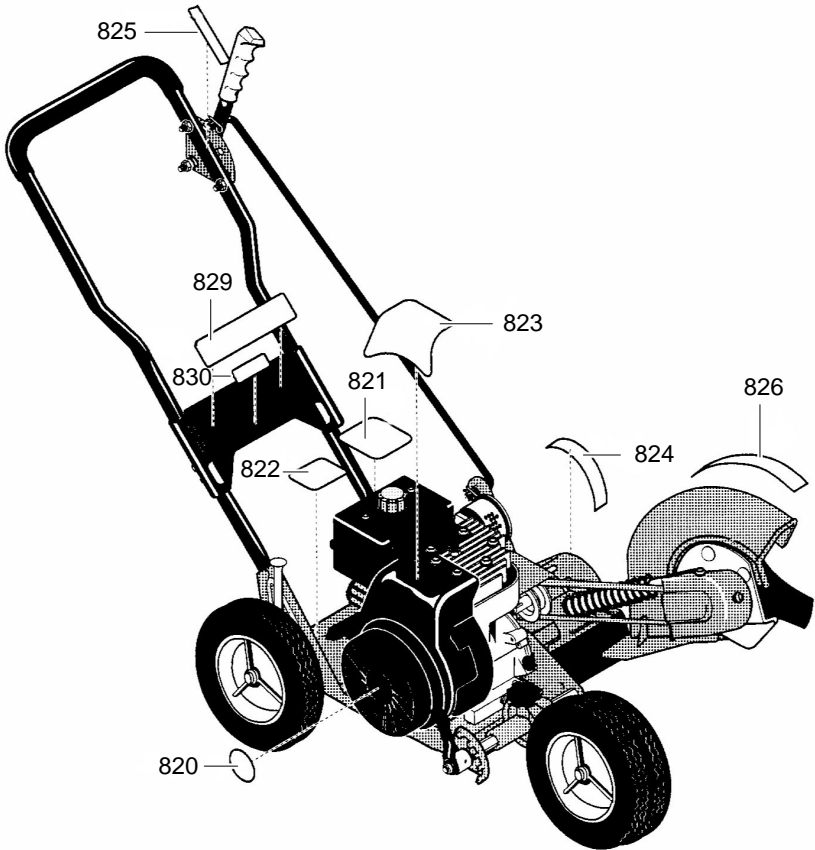
MODEL LE389

FACTORY NO. 13051x37NA



332228B

KEY NO.	PART NO.	DESCRIPTION
760	601 00 22 26	Panel, Handle



KEY NO.	PART NO.	DESCRIPTION
820	601 00 22 00	Decal, Recoil Cover
821	601 00 18 77	Decal, Information Danger
822		Reference Only
823	601 00 22 52	Decal, Engine
824	601 00 22 29	Decal, Angle Indicator
825	601 00 22 30	Decal, Quadrant Selector
826	601 00 22 31	Decal, Blade Guard
829	601 00 20 96	Decal, Panel
830	601 00 22 53	Decal, Husqvarna LE389