

LGT2654

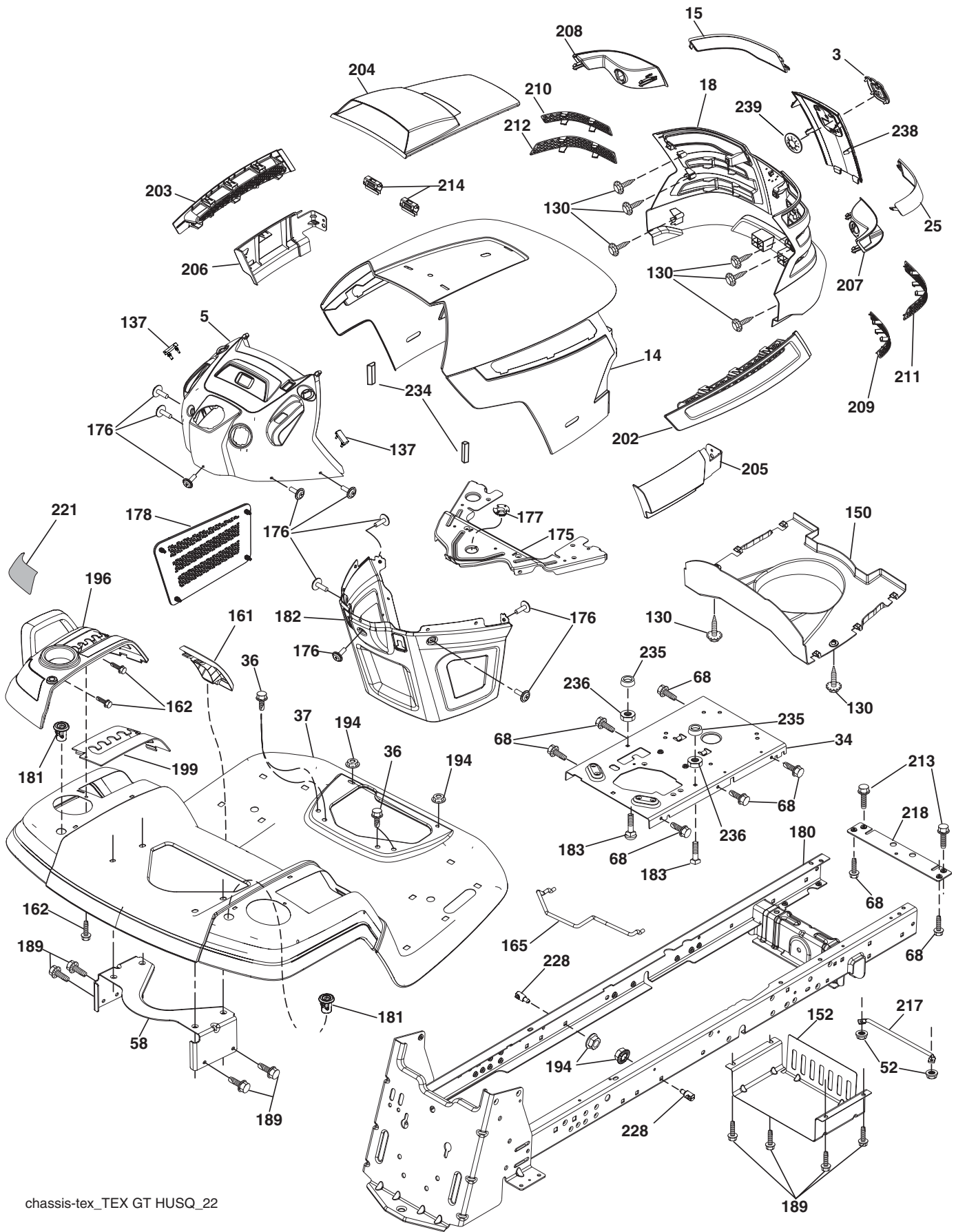
Illustrated Parts List / 96043003601

**TRACTOR - MODEL NO. LGT2654 (96043003601), PRODUCT NO. 960 43 00-36
ELECTRICAL**

| KEY NO. | PART NO. | DESCRIPTION |
|----------------|-----------------|----------------------------------|
| 1 | 532 14 49-27 | Battery |
| 2 | 874 76 04-12 | Bolt Hex Hd 1/4-20 unc x 3/4 |
| 8 | 532 18 64-91 | Battery Box |
| 16 | 532 17 61-38 | Switch Interlock |
| 21 | 532 18 37-59 | Harness Socket Light |
| 22 | 532 00 41-52 | Bulb, Light # 1156 |
| 24 | 532 40 02-53 | Cable Battery |
| 25 | 532 41 28-95 | Cable Starter |
| 26 | 532 17 51-58 | Fuse |
| 27 | 873 51 04-00 | Nut Keps Hex 1/4-20 unc |
| 28 | 532 14 54-91 | Cable Ground 21" Blk 6 Ga. |
| 29 | 532 40 15-45 | Switch Seat |
| 30 | 532 19 33-50 | Switch Ign |
| 33 | 532 41 19-35 | Key / Chain |
| 34 | 532 11 07-12 | Switch Light/Reset |
| 40 | 532 40 11-04 | Harness Ign. Dash |
| 41 | 817 72 04-08 | Screw Thd Cut 1/4-20 x 1/2 |
| 42 | 532 13 15-63 | Cover Terminal Red |
| 43 | 532 19 25-07 | Solenoid |
| 46 | 532 40 17-63 | Gauge Hourmeter |
| 50 | 532 17 46-51 | Switch PTO |
| 55 | 817 49 05-12 | Screw Thdrol 5/16-18 x 3/4 |
| 59 | 532 40 03-03 | Outlet 12-Volt |
| 71 | 532 19 42-76 | Harness Ign |
| 79 | 532 17 52-42 | Socket Asm Bulb Twistlock |
| 90 | 532 40 07-24 | Cover Terminal Battery |
| 91 | 532 19 02-70 | Strap Battery |
| 99 | 817 67 04-12 | Screw Hexwsh Thdrol 1/4-20 x 3/4 |
| 100 | 819 09 14-16 | Washer 9/32 x 7/8 x 16 Ga. |
| 101 | 532 19 83-17 | Pigtail MATNLK |
| 102 | 532 40 44-54 | Harness Pigtail K46 Tex ROS |
| 103 | 532 40 79-62 | Harness Pigtail 12V Outlet |
| 105 | 532 40 75-68 | Switch Reverse TT Pedal |

NOTE: All component dimensions given in U.S. inches
1 inch = 25.4 mm

TRACTOR - MODEL NO. LGT2654 (96043003601), PRODUCT NO. 960 43 00-36
CHASSIS



chassis-tex_TEX GT HUSQ_22

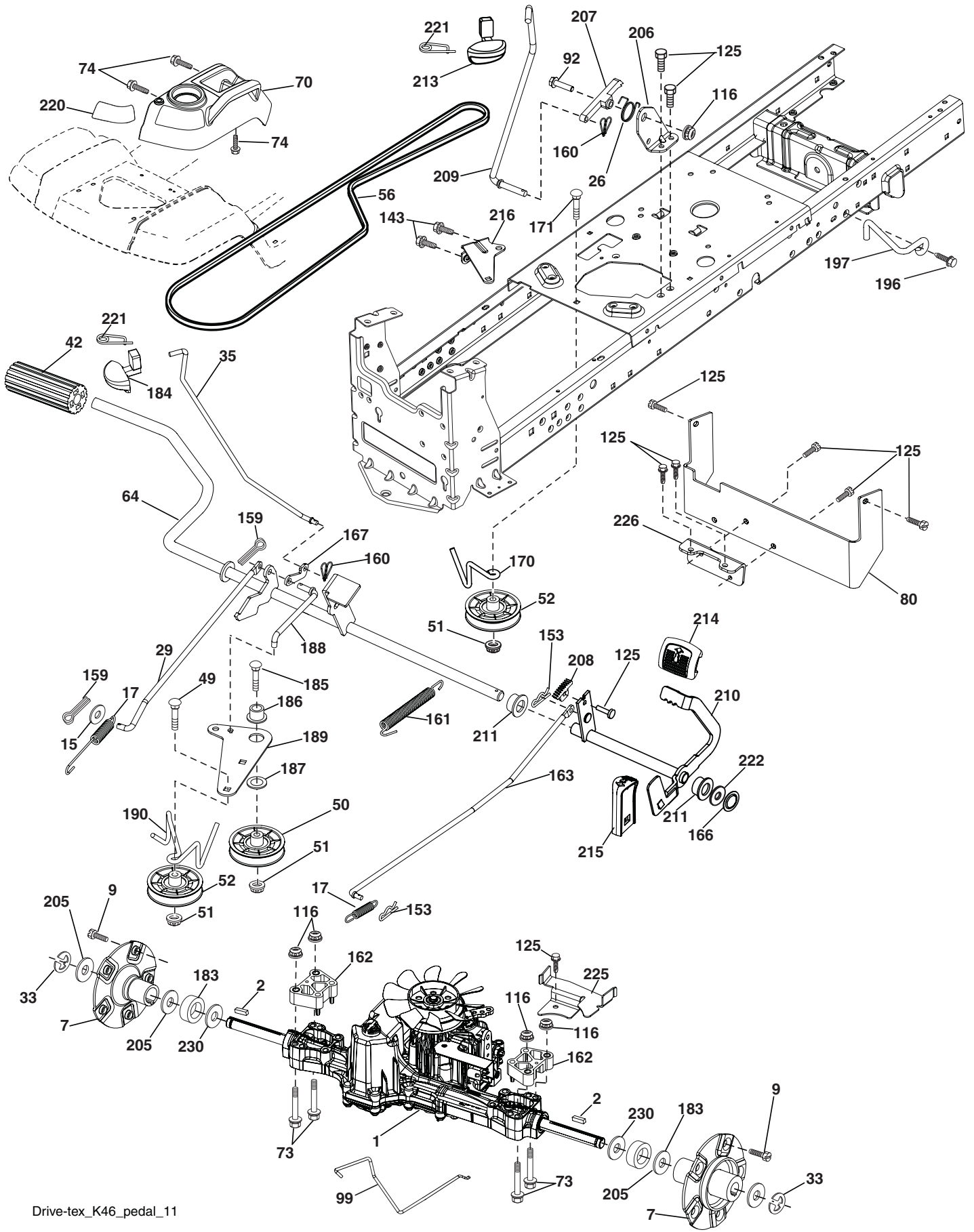
**TRACTOR - MODEL NO. LGT2654 (96043003601), PRODUCT NO. 960 43 00-36
CHASSIS**

| KEY NO. | PART NO. | DESCRIPTION |
|---------|--------------|-------------------------------|
| 3 | 532 40 50-12 | Logo |
| 5 | 532 40 87-01 | Dash |
| 14 | 532 41 10-46 | Hood |
| 15 | 532 19 89-07 | Lens LH |
| 18 | 532 40 86-07 | Grille |
| 25 | 532 19 89-06 | Lens RH |
| 34 | 532 19 61-25 | Plate Engine |
| 36 | 817 06 05-12 | Screw 5/16 - 18 x 3/4 |
| 37 | 532 40 18-25 | Fender |
| 52 | 873 68-05-00 | Nut Crown Lock 5/16-18 |
| 58 | 532 19 43-14 | Bracket Fender |
| 68 | 817 49 05-08 | Screw 5/16-18 x 1/2 |
| 130 | 532 41 63-58 | Screw #10 x 0.750 BOS Thread |
| 137 | 532 40 75-90 | Bumper Dash |
| 150 | 532 19 85-12 | Duct Heat Hood |
| 152 | 532 19 95-35 | Shield Browning/Debris |
| 161 | 532 40 18-26 | Console Fuel Window |
| 162 | 532 14 24-32 | Screw Hex Wsh Hi-Lo 1/4 x 1/2 |
| 165 | 532 19 68-26 | Bracket Support Tank |
| 175 | 532 19 63-04 | Crossmember |
| 176 | 532 40 07-76 | Screw 10-24 x 5/8 Wshd Qdrx |
| 177 | 532 19 52-27 | Bushing Steering |
| 178 | 532 19 97-82 | Cargo Asm. Net |
| 180 | 532 19 54-77 | Chassis |
| 181 | 532 40 30-25 | Bushing MMT Fender |
| 182 | 532 40 68-59 | Dash Lower |
| 183 | 872 47 85-20 | Bolt 5/16-18 unc x 1-1/4 |
| 189 | 817 00 05-12 | Screw 5/16-18 x 3/4 |
| 194 | 873 90 05-00 | Nut Lock 5/16-18 |

| KEY NO. | PART NO. | DESCRIPTION |
|---------|--------------|-------------------------------|
| 196 | 532 40 02-99 | Console Asm. Deck Lift |
| 199 | 532 19 82-59 | Plate Deck Lift |
| 202 | 532 40 30-48 | Vent Side Hood RH |
| 203 | 532 40 30-76 | Vent Side Hood LH |
| 204 | 532 41 66-15 | Vent Asm Hood Top |
| 205 | 532 40 17-09 | Skirt Hood Side RH |
| 206 | 532 40 17-11 | Skirt Hood Side LH |
| 207 | 532 19 71-98 | Bezel RH |
| 208 | 532 19 71-99 | Bezel LH |
| 209 | 532 19 91-30 | Insert Hex Top RH |
| 210 | 532 19 91-31 | Insert Hex Top LH |
| 211 | 532 19 91-32 | Insert Hex Bottom RH |
| 212 | 532 19 91-33 | Insert Hex Bottom LH |
| 213 | 874 76 05-12 | Bolt Hex Hd 5/16-18 unc x 3/4 |
| 214 | 532 19 91-45 | Clip Retainer |
| 217 | 532 40 91-67 | Rod Pivot |
| 218 | 532 19 63-95 | Hood Stop X Piece |
| 221 | 532 19 89-09 | Reflector LH |
| 228 | 532 19 51-61 | Stud Fastener |
| 234 | 532 40 47-42 | Bumper Hood |
| 235 | 532 40 61-29 | Spacer Fender |
| 236 | 873 93 05-00 | Nut Center Lock 5/16-18 unc |
| 238 | 532 40 86-06 | Trim |
| 239 | 532 11 04-52 | Nut Push |

NOTE: All component dimensions given in U.S. inches
1 inch = 25.4 mm

**TRACTOR - MODEL NO. LGT2654 (96043003601), PRODUCT NO. 960 43 00-36
DRIVE**



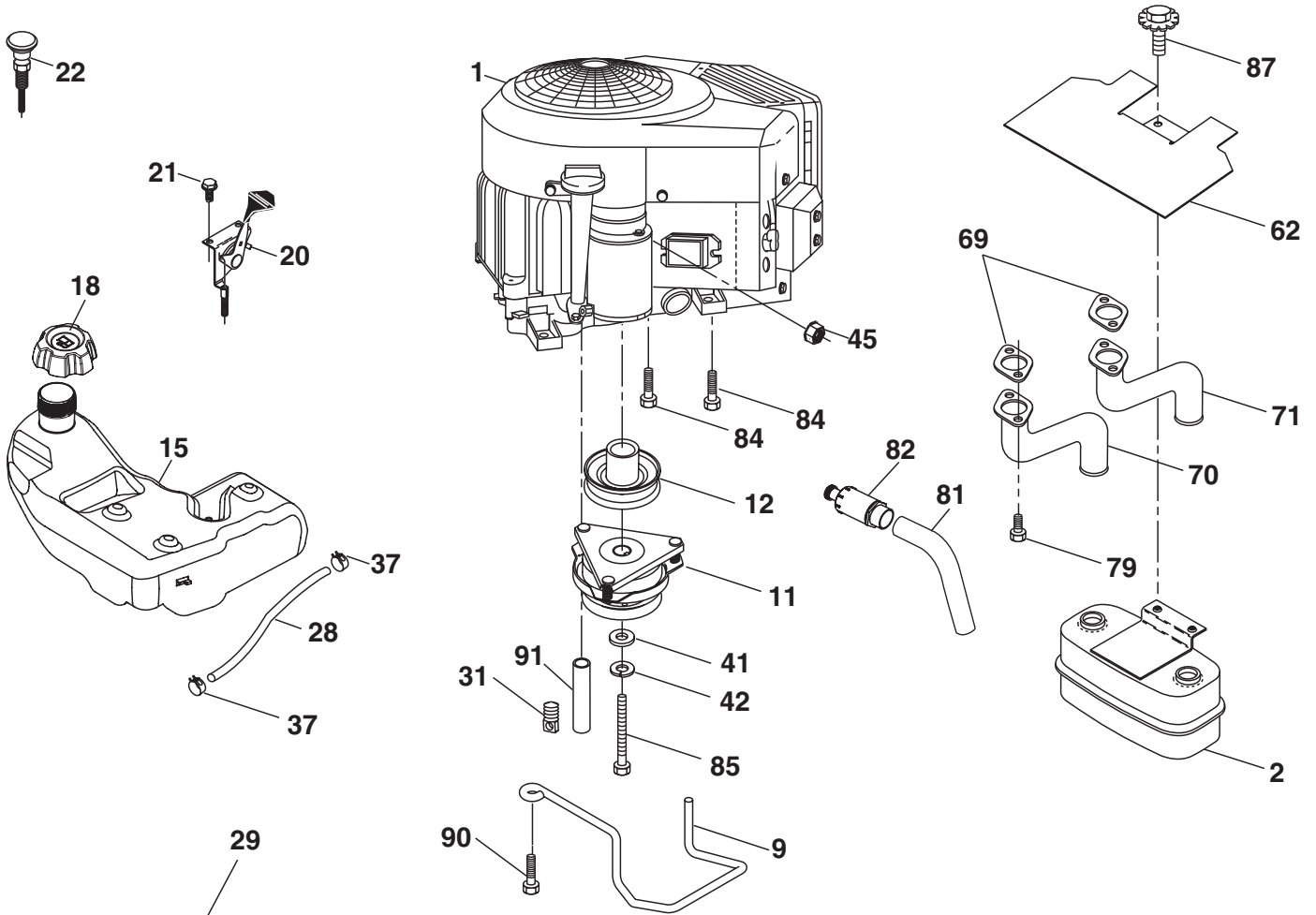
Drive-tex_K46_pedal_11

TRACTOR - MODEL NO. LGT2654 (96043003601), PRODUCT NO. 960 43 00-36 DRIVE

| KEY NO. | PART NO. | DESCRIPTION | KEY NO. | PART NO. | DESCRIPTION |
|---------|---------------------|---|---------|---------------------|-------------------------------|
| 1 | 532 41 40-06 | Transaxle, TUFFTORQ K46 (Internal parts not available) | 167 | 532 40 52-57 | Latch Brake Parking |
| 2 | 532 18 62-11 | Key | 170 | 532 19 43-22 | Keeper Belt Centerspan |
| 7 | 532 19 98-44 | Hub Asm. Wheel | 171 | 872 11 06-16 | Bolt 3/8-16 unc x 2 |
| 9 | 532 14 00-80 | Bolt Hub Wheel Rear | 183 | 532 40 04-24 | Spacer Split |
| 15 | 819 13 13-16 | Washer 13/32 x 13/16 x 16 Ga. | 184 | 532 40 31-18 | Handle Parking Brake |
| 17 | 532 41 36-78 | Spring, Brake | 185 | 872 11 06-20 | Bolt Rdhd Sqnk 3/8-16 x 2-1/2 |
| 26 | 532 19 96-79 | Spring Return Cruise | 186 | 532 19 43-21 | Spacer Retainer |
| 29 | 532 40 38-06 | Rod, Brake | 187 | 819 13 32-10 | Washer |
| 33 | 812 00 00-01 | Ring E | 188 | 532 19 43-23 | Link Clutch Ground Drive |
| 35 | 532 19 95-91 | Rod, Brake, Park | 189 | 532 19 43-17 | Bellcrank Ground Drive |
| 42 | 532 12 48-72 | Cover, Foot Pedal | 190 | 532 19 43-18 | Keeper Bellcrank Ground Drive |
| 49 | 872 11 06-14 | Bolt | 196 | 817 00 06-16 | Screw 3/8-16 x 1 |
| 50 | 532 19 43-27 | Pulley Idler Flat | 197 | 532 19 97-69 | Bracket Clutch Anti-Rotation |
| 51 | 873 90 06-00 | Lock Nut 3/8-16 | 205 | 532 12 17-48 | Washer |
| 52 | 532 19 43-26 | Idler V-Groove 910" Offset | 206 | 532 19 78-67 | Bracket Mount Latch Cruise |
| 56 | 532 13 09-69 | V-Belt, Drive | 207 | 532 19 78-68 | Latch Control Cruise |
| 64 | 532 19 78-65 | Shaft Asm. Pedal Brake Control | 208 | 532 19 78-69 | Gear Sector Control Cruise |
| 70 | 532 40 05-30 | Console Asm. | 209 | 532 19 95-92 | Rod Control Cruise |
| 73 | 874 49 05-60 | Bolt Hex Flnge | 210 | 532 19 78-60 | Rocker Asm. Pedal Control |
| 74 | 532 14 24-32 | Screw 1/4 x 1/2 | 211 | 532 12 01-83 | Bearing Nylon |
| 80 | 532 41 00-24 | Strap Torque | 213 | 532 40 31-19 | Knob Control Cruise |
| 92 | 874 76 05-20 | Bolt Fin Hex 5/16-18 unc x 1.25 | 214 | 532 40 17-22 | Pedal Forward |
| 99 | 532 41 57-43 | Spring Rod Bypass | 215 | 532 40 17-23 | Pedal Reverse |
| 116 | 873 90 05-00 | Nut Lock Hex Flange 5/16-18 | 216 | 532 19 61-31 | Bracket Pulley Idler |
| 125 | 817 00 05-12 | Screw 5/16-18 x 3/4 | 220 | 532 19 89-08 | Reflector RH |
| 143 | 817 49 05-08 | Screw Thdrol 5/16-18 x 1/2 | 221 | 532 40 31-87 | Retainer Spring Clip Handle |
| 153 | 532 12 47-88 | Retainer Spring | 222 | 819 21 20-10 | Washer 21/32 x 1-1/4 x 10 Ga. |
| 159 | 876 02 04-12 | Pin Cotter 1/8 x 3/4 | 225 | 532 40 33-19 | Keeper Belt Trans. |
| 160 | 532 16 94-84 | Retainer Clip | 226 | 532 40 08-31 | Bracket Mount Touque |
| 161 | 532 10 57-09 | Spring, Return, Clutch | 230 | 532 18 89-67 | Washer |
| 162 | 532 19 57-85 | Spacer Transaxle | 231 | 532 40 72-87 | Idler V-Groove Pulley |
| 163 | 532 40 10-34 | Rod Pedal Control | | | |
| 166 | 532 19 72-90 | Nut Push .625 | | | |

NOTE: All component dimensions given in U.S. inches
1 inch = 25.4 mm

**TRACTOR - MODEL NO. LGT2654 (96043003601), PRODUCT NO. 960 43 00-36
ENGINE**



SPARK ARRESTER KIT

engine-tex_bs-2cyl_3

TRACTOR - MODEL NO. LGT2654 (96043003601), PRODUCT NO. 960 43 00-36 ENGINE

| KEY NO. | PART NO. | DESCRIPTION |
|---------|--------------|-----------------------------------|
| 1 | ----- | Engine Briggs Model No. 445877 |
| 2 | 532 14 97-23 | Muffler |
| 9 | 532 19 43-20 | Keeper Belt Engine |
| 11 | 532 17 93-35 | Clutch Electric |
| 12 | 532 19 43-43 | Pulley Engine |
| 15 | 532 19 34-99 | Tank Fuel 4.0 |
| 18 | 532 19 42-67 | Cap Asm |
| 20 | 532 17 83-85 | Control Throttle |
| 21 | 532 41 63-58 | Screw #10 x 0.750 BOS Thread |
| 22 | 532 19 15-96 | Control Choke |
| 28 | 532 40 11-35 | Fuel Line |
| 29 | 532 13 71-80 | Spark Arrester Kit |
| 31 | 532 14 50-06 | Clip Push-In |
| 37 | 532 12 34-87 | Clamp Hose |
| 41 | 532 12 61-97 | Washer 1-1/2 OD x 15/32 ID x .250 |
| 42 | 810 04 07-00 | Washer Lock 7/16 |
| 45 | 873 51 04-00 | Nut Keps Hex 1/4-20 unc |
| 62 | 532 14 66-29 | Shield Heat Muffler |

| KEY NO. | PART NO. | DESCRIPTION |
|---------|--------------|-------------------------------|
| 69 | 532 16 53-91 | Gasket |
| 70 | 532 15 99-55 | Tube Exhaust LH |
| 71 | 532 16 05-89 | Tube Exhaust RH |
| 79 | 532 18 39-06 | Screw Socket Head 5/16-18 x 1 |
| 81 | 532 14 84-56 | Tube Drain Oil Easy |
| 82 | 532 18 16-54 | Plug Drain Oil |
| 84 | 817 06 06-20 | Screw 3/8-16 x 1-1/4 |
| 85 | 532 17 99-53 | Bolt Hex 7/16-20 x 3.75 Gr. 5 |
| 87 | 532 19 82-39 | Bolt 5/16-18 unc x 1 w/Sems |
| 90 | 817 00 06-16 | Screw 3/8-16 x 1 |
| 91 | 532 18 74-95 | Bushing |

NOTE: All component dimensions given in U.S. inches
1 inch = 25.4 mm

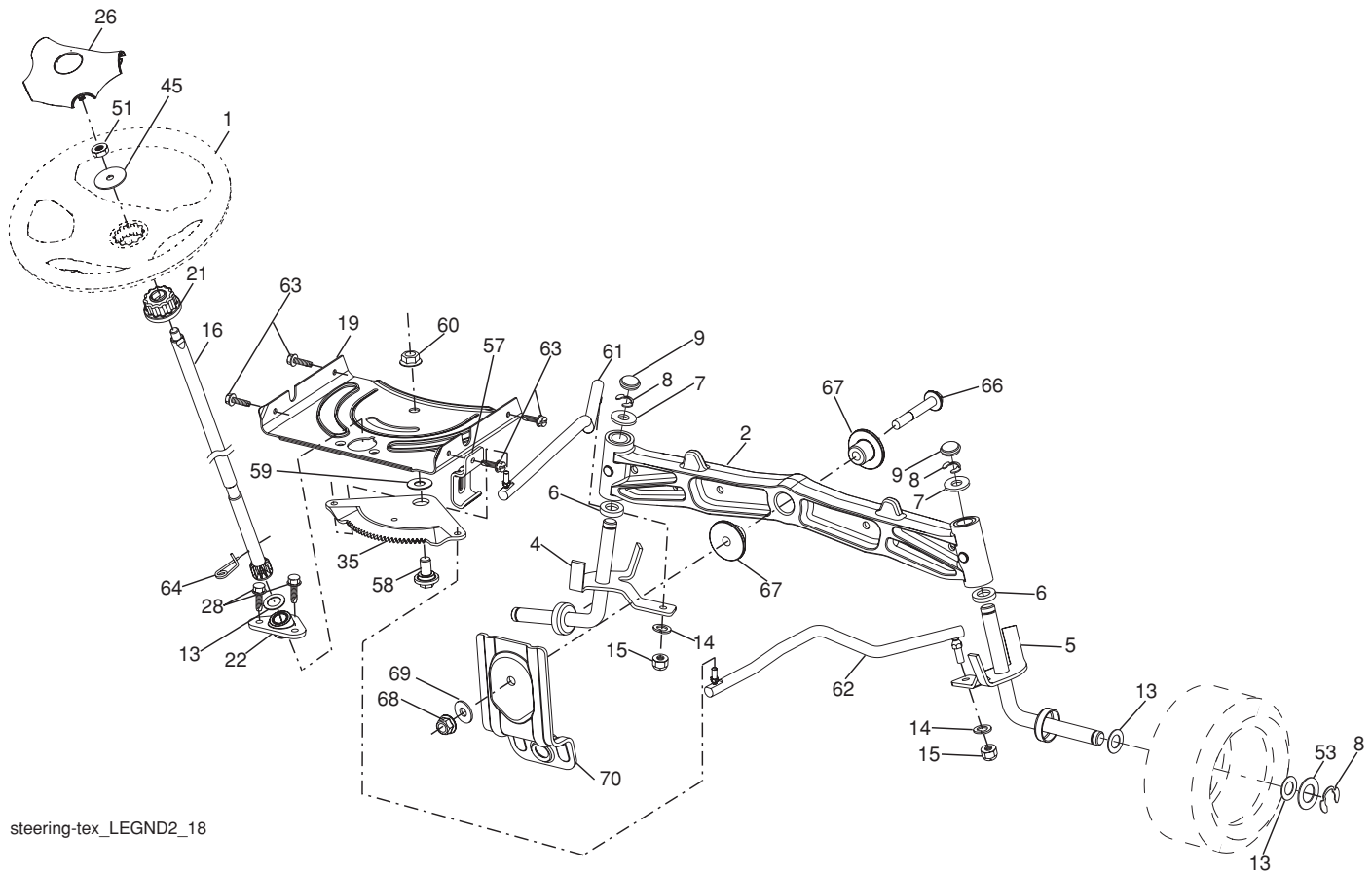
For engine service and replacement parts, call the toll free number for your engine manufacturer listed below:

Briggs & Stratton 1-800-233-3723

ENGINE POWER RATING INFORMATION

The gross power rating for individual gas engine models is labeled in accordance with SAE (Society of Automotive Engineers) code J11940 (Small Engine Power & Torque Rating Procedure), and rating performance has been obtained and corrected in accordance with SAE J1995 (Revision 2002-5). Actual gross engine power will be lower and is affected by, among other things, ambient operating conditions and engine-to-engine variability. Given both the wide array of products on which engines are placed and the variety of environmental issues applicable to operating the equipment, the gas engine will not develop the rated gross power when used in a given piece of power equipment (actual "on-site" or net horsepower). This difference is due to a variety of factors including, but not limited to, accessories (air cleaner, exhaust, charging, cooling, carburetor, fuel pump, etc.), application limitations, ambient operating conditions (temperature, humidity, altitude), and engine-to-engine variability. Due to manufacturing and capacity limitations, Briggs & Stratton may substitute an engine of higher rated power for this Series engine.

TRACTOR - MODEL NO. LGT2654 (96043003601), PRODUCT NO. 960 43 00-36
STEERING ASSEMBLY



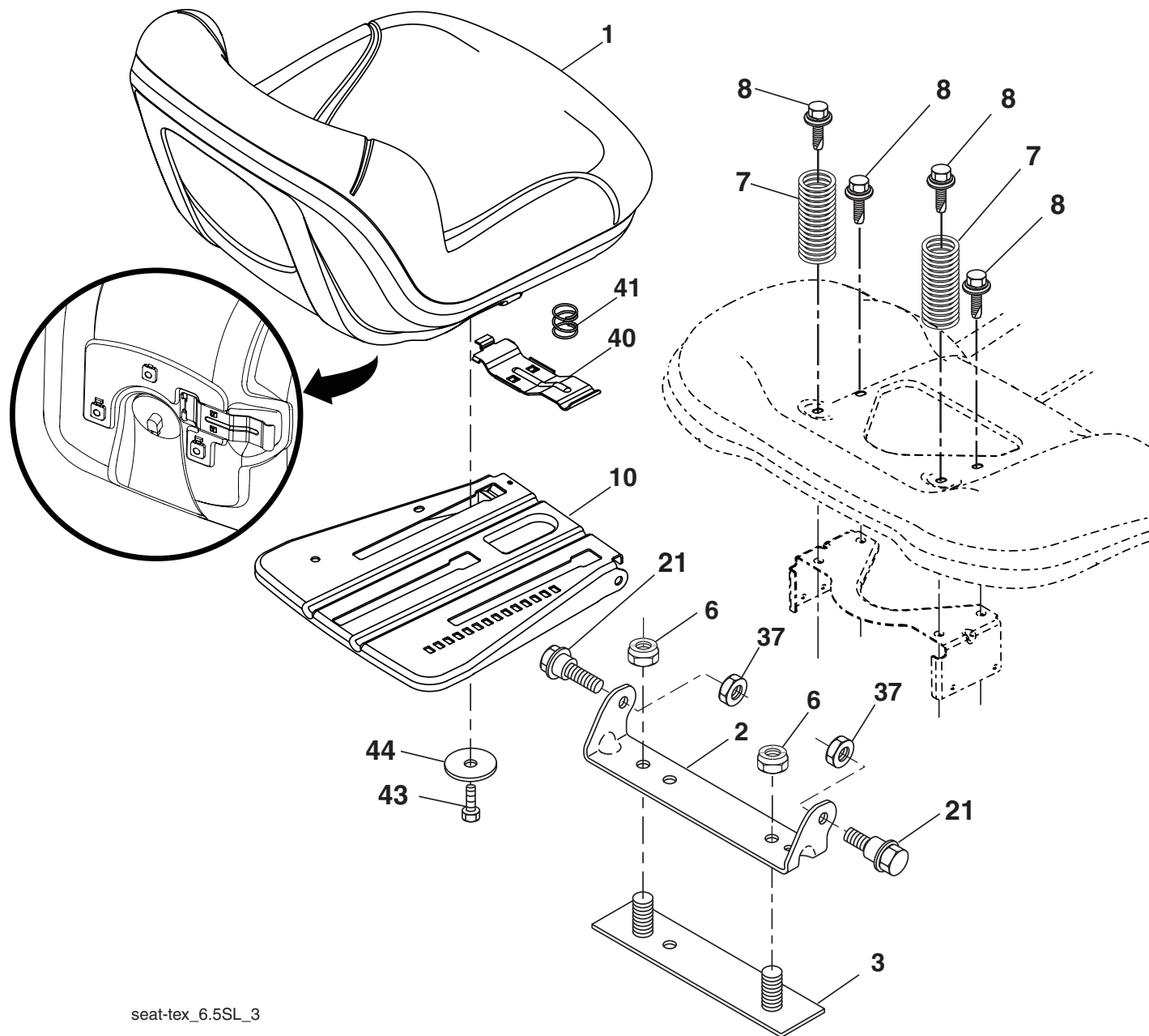
steering-tex_LEGND2_18

| KEY NO. | PART NO. | DESCRIPTION |
|---------|--------------|-------------------------------|
| 1 | 532 19 39-43 | Wheel, Steering |
| 2 | 532 19 59-68 | Axle Asm., Front |
| 4 | 532 40 30-89 | Spindle Asm., LH |
| 5 | 532 40 30-90 | Spindle Asm., RH |
| 6 | 532 12 49-31 | Bearing, Race Thrust Harden |
| 7 | 532 12 17-48 | Washer 25/32 x 1-5/8 x 16 Ga. |
| 8 | 812 00 00-29 | Ring, Klip #T5304-75 |
| 9 | 532 12 12-32 | Cap, Spindle |
| 13 | 532 12 17-49 | Washer 25/32 x 1-1/4 x 16 Ga. |
| 14 | 810 04 06-00 | Washer, Lock Hvy Hlcl Spr 3/8 |
| 15 | 873 54 06-00 | Nut, Crown Lock 3/8-24 unf |
| 16 | 532 40 82-19 | Shaft Steering |
| 19 | 532 19 47-29 | Plate Steering |
| 21 | 532 18 67-37 | Adapter, Wheel Steering |
| 22 | 532 19 48-45 | Bushing, Strg. Blk |
| 26 | 532 19 36-52 | Insert, Wheel Steering |
| 28 | 817 00 06-12 | Screw 3/8-16 x 3/4 |
| 35 | 532 19 47-32 | Gear, Sector Plate |
| 45 | 819 18 38-12 | Washer 9/16 x 2-3/8 x 12 Ga. |

| KEY NO. | PART NO. | DESCRIPTION |
|---------|--------------|-------------------------------------|
| 51 | 873 94 08-00 | Nut Hex Jam Toplock 1/2-20 unf |
| 53 | 532 18 89-67 | Washer Hardened .793 x 1.637 x .060 |
| 57 | 532 19 72-46 | Bracket Upstop |
| 58 | 532 19 47-47 | Bolt Shoulder Sector Pivot CFM |
| 59 | 532 19 47-48 | Washer Thrust Sector Steering |
| 60 | 873 97 10-00 | Nut Flange Lock 5/8-11 |
| 61 | 532 19 47-40 | Draglink LH |
| 62 | 532 19 47-41 | Draglink, RH |
| 63 | 817 00 05-12 | Screw 5/16-18 x 3/4 |
| 64 | 532 19 98-49 | Retainer Clip Spring Steering |
| 66 | 871 02 07-48 | Bolt Hex Fghd 7/16-14 x 3 Serr |
| 67 | 532 19 47-37 | Bushing PM Front Axle |
| 68 | 873 90 07-00 | Nut Lock Flange 7/16-14 Gr. 5 |
| 69 | 532 19 91-62 | Washer 1.5 x .505 x .118 |
| 70 | 532 19 61-97 | Bracket Deck Susp. Front |

NOTE: All component dimensions given in U.S. inches
 1 inch = 25.4 mm

**TRACTOR - MODEL NO. LGT2654 (96043003601), PRODUCT NO. 960 43 00-36
SEAT ASSEMBLY**



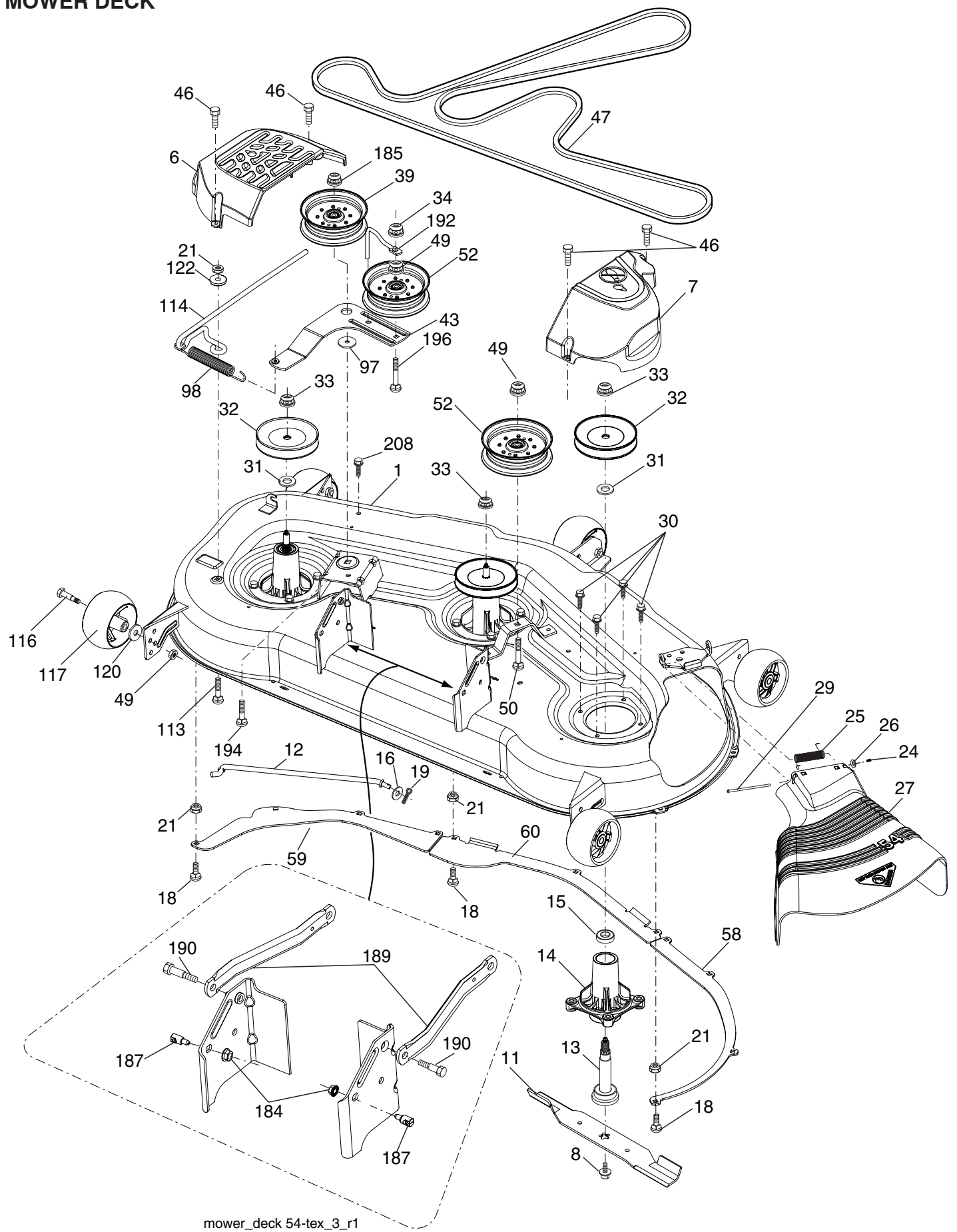
seat-tex_6.5SL_3

| KEY NO. | PART NO. | DESCRIPTION |
|---------|--------------|-------------------------------|
| 1 | 532 40 66-21 | Seat |
| 2 | 532 18 01-66 | Bracket Pivot Fender |
| 3 | 532 14 06-75 | Strap, Asm Fender |
| 6 | 873 80 06-00 | Nut, Lock W/Ins. 3/8-16 unc |
| 7 | 532 12 41-81 | Spring, Seat Cprsn |
| 8 | 532 17 18-77 | Bolt 5/16-18 unc x 3/4 w/Sems |
| 10 | 532 19 69-77 | Pan, Seat |
| 21 | 532 17 18-52 | Bolt, Shoulder 5/16-18 |

| KEY NO. | PART NO. | DESCRIPTION |
|---------|--------------|-------------------------------|
| 37 | 873 80 05-00 | Nut, Lock 5/16-18 unc |
| 40 | 532 19 76-61 | Handle Slide Seat |
| 41 | 532 19 82-00 | Spring Latch Seat |
| 43 | 874 76 06-12 | Bolt 3/8-16 x 3/4 |
| 44 | 819 13 38-12 | Washer 13/32 x 2-3/8 x 12 Ga. |

NOTE: All component dimensions given in U.S. inches
1 inch = 25.4 mm

**TRACTOR - MODEL NO. LGT2654 (96043003601), PRODUCT NO. 960 43 00-36
MOWER DECK**



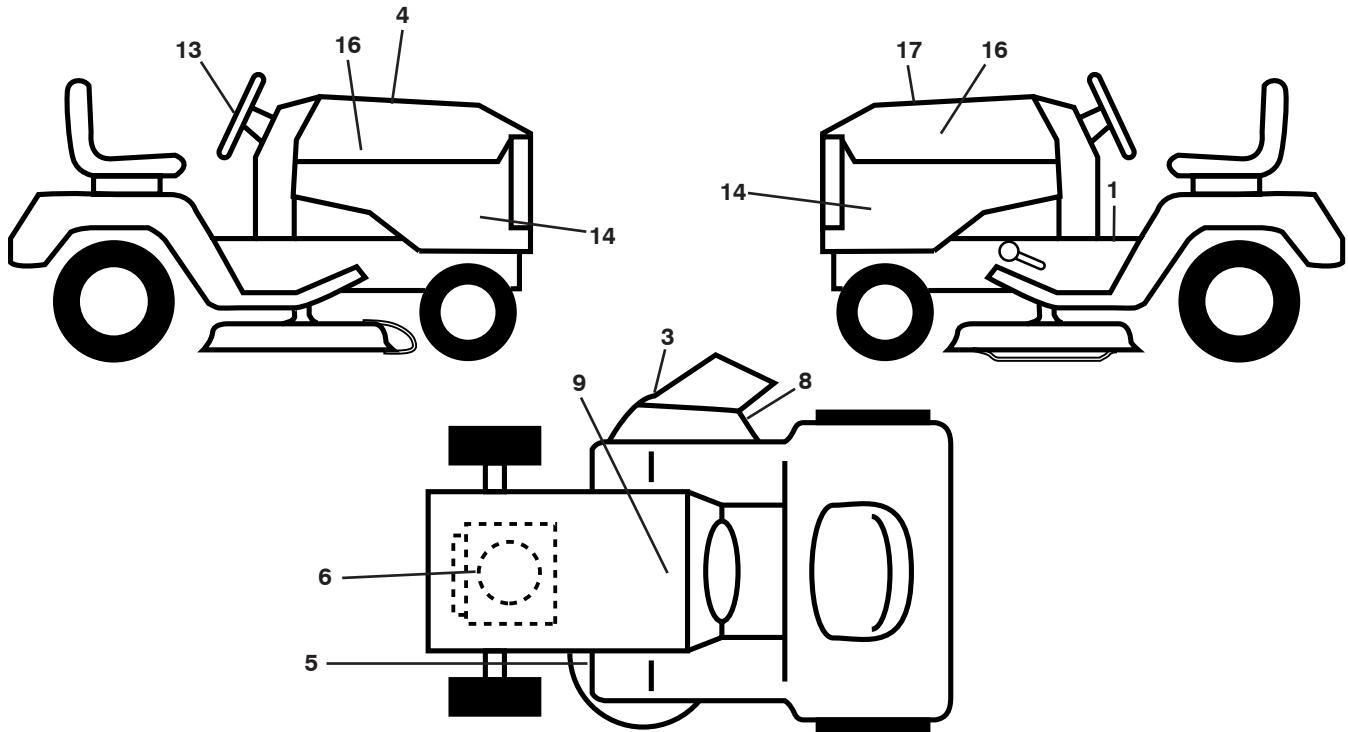
mower_deck 54-tex_3_r1

**TRACTOR - MODEL NO. LGT2654 (96043003601), PRODUCT NO. 960 43 00-36
MOWER DECK**

| KEY NO. | PART NO. | DESCRIPTION | KEY NO. | PART NO. | DESCRIPTION |
|----------------|-----------------|-------------------------------|----------------|-----------------|--|
| 1 | 532 40 31-25 | Deck Weldment Mower | 52 | 532 19 73-79 | Pulley Idler |
| 6 | 532 19 60-66 | Cover Mandrel LH | 58 | 532 18 73-42 | Baffle Right |
| 7 | 532 19 71-81 | Cover Mandrel RH | 59 | 532 18 73-44 | Baffle Left |
| 8 | 532 17 43-65 | Bolt 7/16 Asm. Blade | 60 | 532 18 76-07 | Baffle Center |
| 11 | 532 18 72-56 | Blade Bagging | 97 | 532 17 85-15 | Washer Hardened |
| -- | 532 18 72-54 | Blade Discharge | 98 | 532 19 61-05 | Spring Drive |
| -- | 532 18 72-55 | Blade Mulching | 113 | 872 11 05-08 | Bolt Rdhd Sqnk 5/16-18 x 3/4 |
| 12 | 532 40 48-51 | Rod Anti Sway | 114 | 532 18 75-56 | Rod Tension Relief |
| 13 | 532 18 72-91 | Shaft Asm. w/Lower Bearing | 116 | 532 19 34-06 | Bolt, Shoulder |
| 14 | 532 18 72-81 | Housing, Mandrel | 117 | 532 17 48-73 | Gauge Wheel |
| 16 | 819 13 13-12 | Washer 3/8 | 120 | 819 13 20-12 | Washer 13/32 x 1-1/4 x 12 Ga. |
| 15 | 532 11 04-85 | Bearing, Ball, Mandrel | 122 | 532 18 75-57 | Bushing Tension Relief |
| 18 | 872 14 05-05 | Bolt Carriage 5/16-18 x 5/8 | 184 | 873 90 05-00 | Nut Lock Hex Flange |
| 19 | 532 19 42-08 | Pin Cotter 5/16 Bowtie | 185 | 873 90 07-00 | Nut Lock Flange 7/16-14 Gr. 5 |
| 21 | 873 68 05-00 | Nut, Crownlock 5/16-18 unc | 187 | 532 19 51-61 | Stud Fastener w/"D" Anti-Rotation |
| 24 | 532 10 53-04 | Cap Sleeve | 189 | 532 19 51-85 | Arm Susp. Mower Rear |
| 25 | 532 17 81-02 | Spring, Torsion | 190 | 532 19 65-39 | Bolt Shoulder |
| 26 | 532 11 04-52 | Nut, Push | 192 | 532 19 84-68 | Keeper Belt Idler |
| 27 | 532 18 89-38 | Deflector Shield | 194 | 872 14 07-16 | Bolt Carr Sqnk 7/16-24 x 2 |
| 29 | 532 13 14-91 | Rod, Hinge | 196 | 872 14 06-20 | Bolt Rdhd 3/8-16 x 2-1/2 Gr. 5 |
| 30 | 532 17 39-84 | Screw, Thdroll Washer Head | 208 | 817 67 06-08 | Screw THDROL 3/8-16 x 1/2 |
| 31 | 532 18 76-90 | Washer, Spacer Mower Vented | -- | 532 18 72-92 | Mandrel Asm. Service Mandrel Assembly (Includes housing, shaft assembly, and bearing only - pulley/nut/washer and blade bolt/washers not included) |
| 32 | 532 15 35-35 | Pulley, Mandrel | -- | 532 19 93-00 | Replacement Mower, Complete |
| 33 | 532 40 02-34 | Nut, Flg. Top Lock | | | |
| 34 | 873 68 06-00 | Nut Crownlock 3/8-16 unc | | | |
| 39 | 532 19 73-80 | Pulley, Idler, 4.50 | | | |
| 43 | 532 19 60-65 | Arm, Idler | | | |
| 46 | 532 13 77-29 | Screw, Thdroll. 1/4-20 x 5/8 | | | |
| 47 | 532 19 61-03 | Belt Deck Drive | | | |
| 49 | 873 90 06-00 | Nut, Lock Flg. 3/8-16 unc | | | |
| 50 | 872 11 06-16 | Bolt Rdhd Sqnk 3/8-16 unc x 2 | | | |

NOTE: All component dimensions given in U.S. inches
1 inch = 25.4 mm

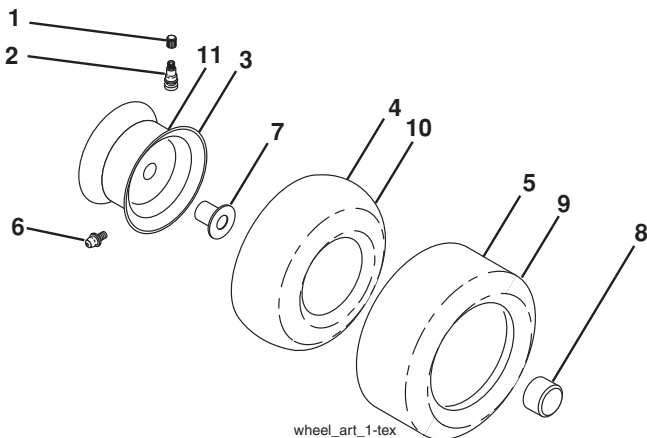
**TRACTOR - MODEL NO. LGT2654 (96043003601), PRODUCT NO. 960 43 00-36
DECALS**



| KEY NO. | PART NO. | DESCRIPTION |
|---------|---------------------|-------------------------|
| 1 | 532 41 16-58 | Decal, Fender Warning |
| 3 | 532 17 05-63 | Decal, Warning |
| 4 | 532 18 09-41 | Decal, Hood Cust Resp |
| 5 | 532 17 85-02 | Decal, Caution |
| 6 | 532 40 88-43 | Decal, Eng. HP |
| 8 | 532 19 87-85 | Decal, Mower Sch. |
| 9 | 532 14 50-05 | Decal, Battery Dnge/Poi |
| 13 | 532 40 44-84 | Decal, Steering Whl |

| KEY NO. | PART NO. | DESCRIPTION |
|---------|---------------------|-----------------------|
| 14 | 532 41 01-09 | Decal, Panel Side |
| 16 | 532 41 68-38 | Decal, Hood Logo |
| 17 | 532 41 06-29 | Decal, Replacement |
| -- | 532 16 69-60 | Decal, Bypass |
| -- | 532 40 17-71 | Pad, Footrest, LH |
| -- | 532 40 37-73 | Pad, Footrest, RH |
| -- | 532 41 94-59 | Manual, Owner's (Eng) |
| -- | 532 41 94-60 | Manual, Owner's (Fr) |

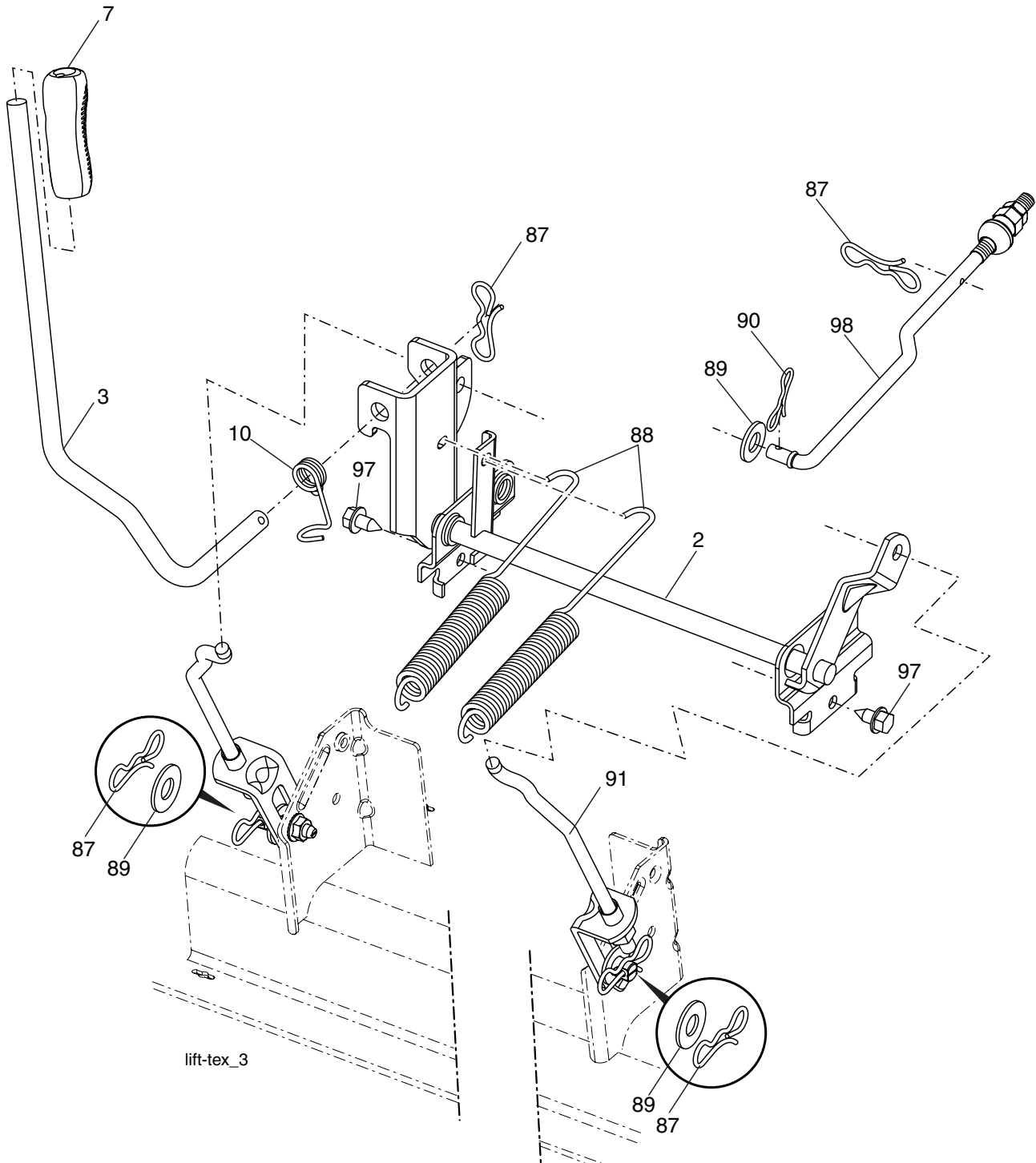
WHEELS AND TIRES



| KEY NO. | PART NO. | DESCRIPTION |
|---------|---------------------|------------------------------------|
| 1 | 532 05 91-92 | Cap, Valve, Tire |
| 2 | 532 06 51-39 | Stem, Valve |
| 3 | 532 14 45-09 | Rim Assembly, Front |
| 4 | 532 00 81-34 | Tube, Front (Service Item Only) |
| 5 | 532 10 62-30 | Tire, Front |
| 6 | 532 12 49-57 | Fitting, Grease (Front Wheel Only) |
| 7 | 532 12 49-59 | Bearing, Flange (Front Wheel Only) |
| 8 | 532 17 50-39 | Cap, Axle (Front Wheel Only) |
| 9 | 532 18 47-08 | Tire, Rear |
| 10 | 532 00 71-54 | Tube, Rear (Service Item Only) |
| 11 | 532 40 17-82 | Rim Assembly, Rear |
| -- | 532 14 43-34 | Sealant, Tire (10 oz. Tube) |

NOTE: All component dimensions given in U.S. inches
1 inch = 25.4 mm

**TRACTOR - MODEL NO. LGT2654 (96043003601), PRODUCT NO. 960 43 00-36
MOWER LIFT**



| KEY NO. | PART NO. | DESCRIPTION |
|---------|--------------|------------------------------|
| 2 | 532 19 52-23 | Shaft Asm., Lift |
| 3 | 532 19 52-30 | Lever Asm., Lift Rh |
| 7 | 532 41 15-55 | Grip, Lever |
| 10 | 532 19 63-14 | Spring Torsion |
| 87 | 532 19 42-09 | Pin Cotter 7/16 Bow Tie Lock |
| 88 | 532 19 53-04 | Spring Lift Assist |
| 89 | 819 19 19-12 | Washer Clear Zinc |

| KEY NO. | PART NO. | DESCRIPTION |
|---------|--------------|------------------------------|
| 90 | 532 19 42-08 | Pin Cotter 5/16 Bow Tie Lock |
| 91 | 532 40 34-07 | Link Lift Susp Mower Rear |
| 97 | 817 00 06-12 | Screw 3/8-16 x 3/4 |
| 98 | 532 19 52-64 | Link Lift Susp. Front Mower |

NOTE: All component dimensions given in U.S. inches
1 inch = 25.4 mm