

Repair Parts Manual Manual De Repuestos

LGT2654/96045003701

Please read the operator's manual carefully and make sure you understand the instructions before using the machine.

Por favor lea cuidadosamente y comprenda estas intrucciones antes de usar esta maquina.

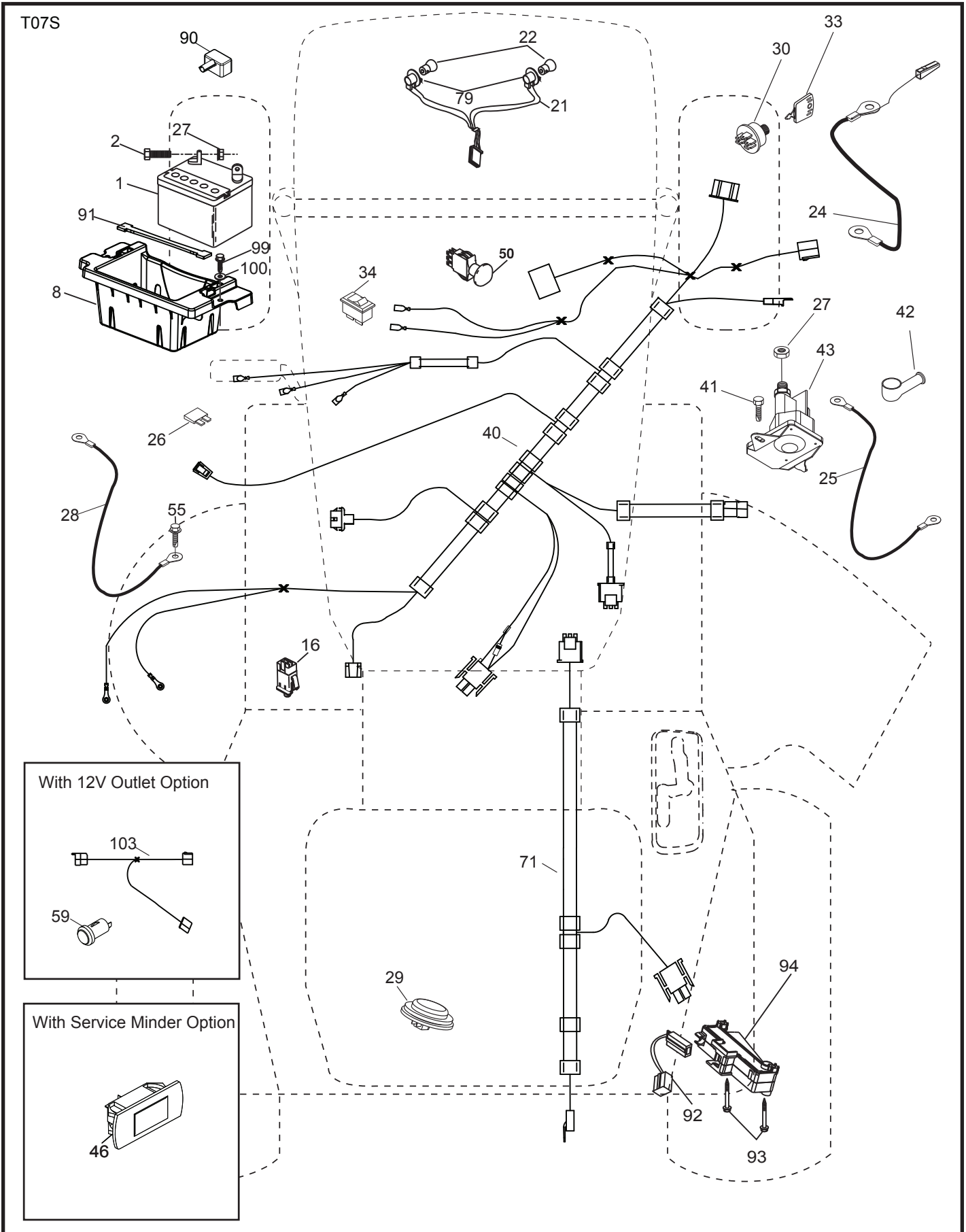


English/Spanish



581 54 00-27

**TRACTOR - MODEL NO. LGT2654 (96045003701), PRODUCT NO. 960 45 00-37
ELECTRICAL**



**TRACTOR - MODEL NO. LGT2654 (96045003701), PRODUCT NO. 960 45 00-37
ELECTRICAL**

KEY NO.	PART NO.	DESCRIPTION
1	532 16 34-65	Battery
2	874 76 04-12	Bolt Hex Hd 1/4-20 unc x 3/4
8	532 18 64-91	Battery Box
16	532 17 61-38	Switch Interlock
21	532 40 02-52	Harness Socket Light
22	532 00 41-52	Bulb, Light #1156
24	532 40 02-53	Cable Battery
25	532 41 28-95	Cable Starter
26	532 17 51-58	Fuse
27	873 51 04-00	Nut Keps Hex 1/4-20 unc
28	532 14 54-91	Cable Ground 21" Blk 6 Ga.
29	532 40 15-45	Switch Seat
30	532 19 33-50	Switch Ign
33	532 41 19-33	Key/Chain
34	532 11 07-12	Switch Light/Reset
40	532 40 11-04	Harness Ign. Dash
41	817 72 04-08	Screw Thd Cut 1/4-20 x 1/2
42	532 13 15-63	Cover Terminal Red
43	532 19 25-07	Solenoid
46	532 40 17-63	Gauge Hourmeter
50	532 19 61-12	Switch PTO
55	817 06 05-12	Screw Thdrol 5/16-18 x 3/4
59	532 40 03-03	Outlet 12-Volt
71	532 19 42-76	Harness Ign Chassis
79	532 17 52-42	Socket Asm Bulb
90	532 43 53-95	Cover Terminal Battery
91	532 19 02-70	Strap Battery
92	532 19 66-15	Harness Pigtail Reverse Switch
93	532 19 25-40	Screw Plastite 10-14 X 2.00
94	532 19 18-34	Module Reverse ROS
99	817 67 04-12	Screw Hexwsh Thdrol 1/4-20 x 3/4
100	819 09 14-16	Washer 9/32 x 7/8 x 16 Ga.
103	532 40 79-62	Harness Pigtail 12 V Outlet

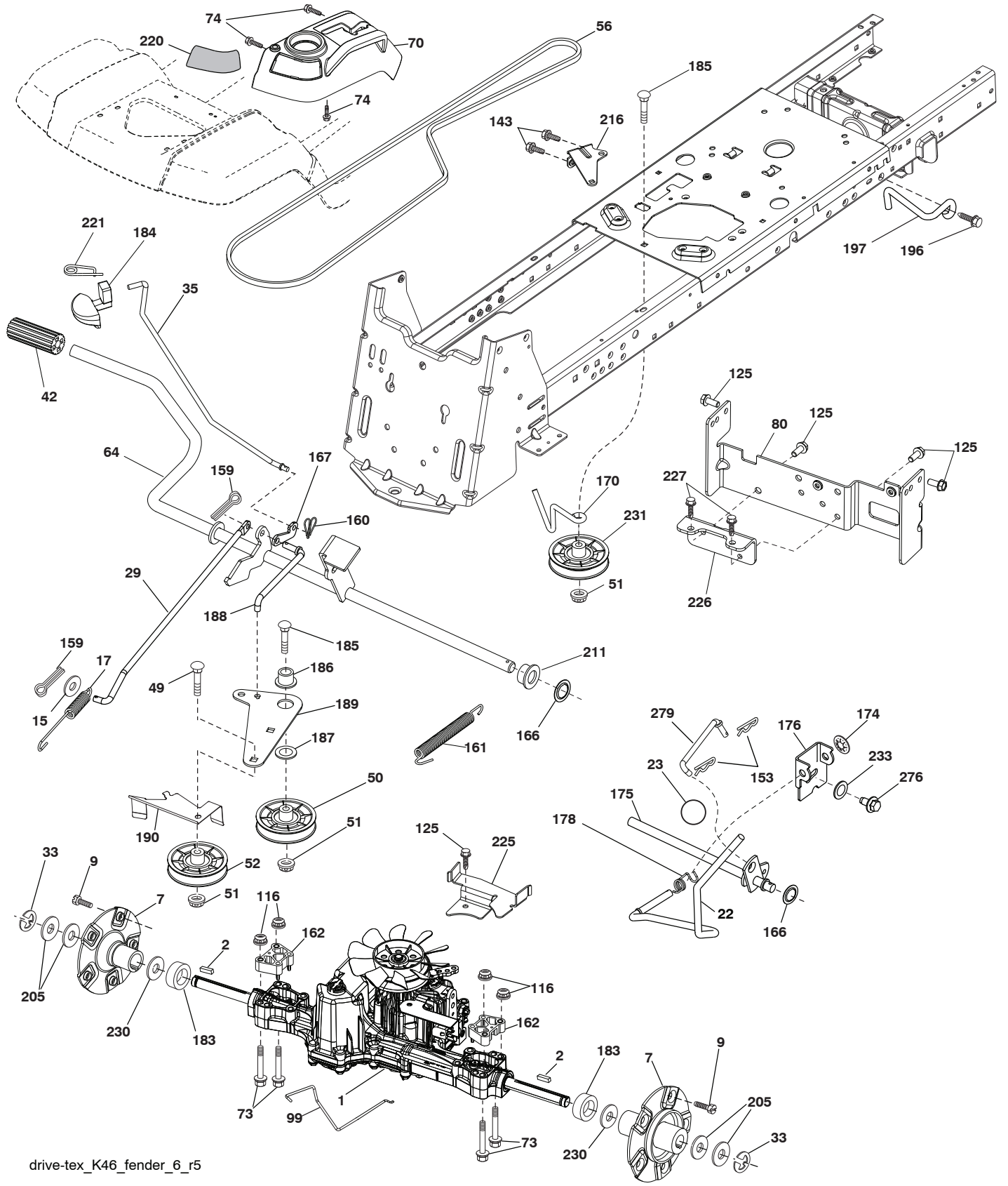
NOTE: All component dimensions given in U.S. inches
1 inch = 25.4 mm

**TRACTOR - MODEL NO. LGT2654 (96045003701), PRODUCT NO. 960 45 00-37
CHASSIS**

KEY NO.	PART NO.	DESCRIPTION	KEY NO.	PART NO.	DESCRIPTION
3	532 43 97-52	Applique	196	532 43 97-16	Console Asm. Deck Lift
5	532 43 74-80	Dash	199	532 19 82-59	Plate Deck Lift
14	532 44 11-77	Hood Asm.	202	532 43 97-28	Vent Side Hood RH
15	532 43 97-33	Lens LH	203	532 43 97-27	Vent Side Hood LH
18	532 43 77-62	Grille Asm.	204	532 43 57-14	Vent Asm Hood Top
25	532 44 33-85	Lens RH	205	532 43 97-30	Skirt Hood Side RH
34	580 91 08-01	Plate Engine	206	532 43 97-29	Skirt Hood Side LH
36	817 06 05-12	Screw 5/16-18 x 3/4	207	532 43 97-34	Bezel RH
37	532 44 12-08	Fender	208	532 43 97-35	Bezel LH
52	873 68 05-00	Nut Crown Lock 5/16-18	213	874 76 05-12	Bolt Hex Hd 5/16-18 unc x 3/4
58	532 19 43-14	Bracket Fender	214	532 19 91-45	Clip Retainer
68	817 49 05-08	Screw 5/16-18 x 1/2	217	532 40 91-67	Rod Pivot
130	532 41 63-58	Screw #10 x .750 BOS Thread	218	532 19 63-95	Hood Stop
137	532 40 75-90	Bumper Dash	221	532 19 89-09	Reflector LH
150	532 43 97-74	Duct Heat Hood	228	532 19 51-61	Stud Fastener
151	532 43 66-70	Bracket Pivot Hood	234	532 40 47-42	Bumper Hood
152	532 43 98-70	Shield Browning/Debris	235	532 40 61-29	Spacer Fender
159	817 00 06-12	Screw 3/8-16 x 3/4	236	873 93 05-00	Nut Center Lock 5/16-18 unc
161	532 43 99-29	Console Fuel Window	289	532 40 35-71	Plug Cruise/Phone
162	532 14 24-32	Screw Hex Wsh Hi-Lo 1/4 x 1/2	297	532 43 74-56	Insert LH
165	532 19 68-26	Bracket Support Tank	335	532 44 82-04	Cover Dash RH
175	532 19 63-04	Crossmember	336	532 44 53-09	Cover Dash LH
176	532 40 07-76	Screw 10-24 x 5/8	350	532 44 51-43	Clip X-mas Tree
177	532 19 52-27	Bushing Steering	--	532 40 09-44	Kit Bumper
180	532 19 54-77	Chassis			
182	532 40 68-59	Dash Lower			
183	874 52 05-20	Bolt 5/16-18 x 1-1/4			
189	817 00 05-12	Screw 5/16-18 x 3/4			
191	532 43 74-55	Insert RH			
194	873 90 05-00	Nut Lock Hex Flange 5/16-18			

NOTE: All component dimensions given in U.S. inches
1 inch = 25.4 mm

TRACTOR - MODEL NO. LGT2654 (96045003701), PRODUCT NO. 960 45 00-37 DRIVE



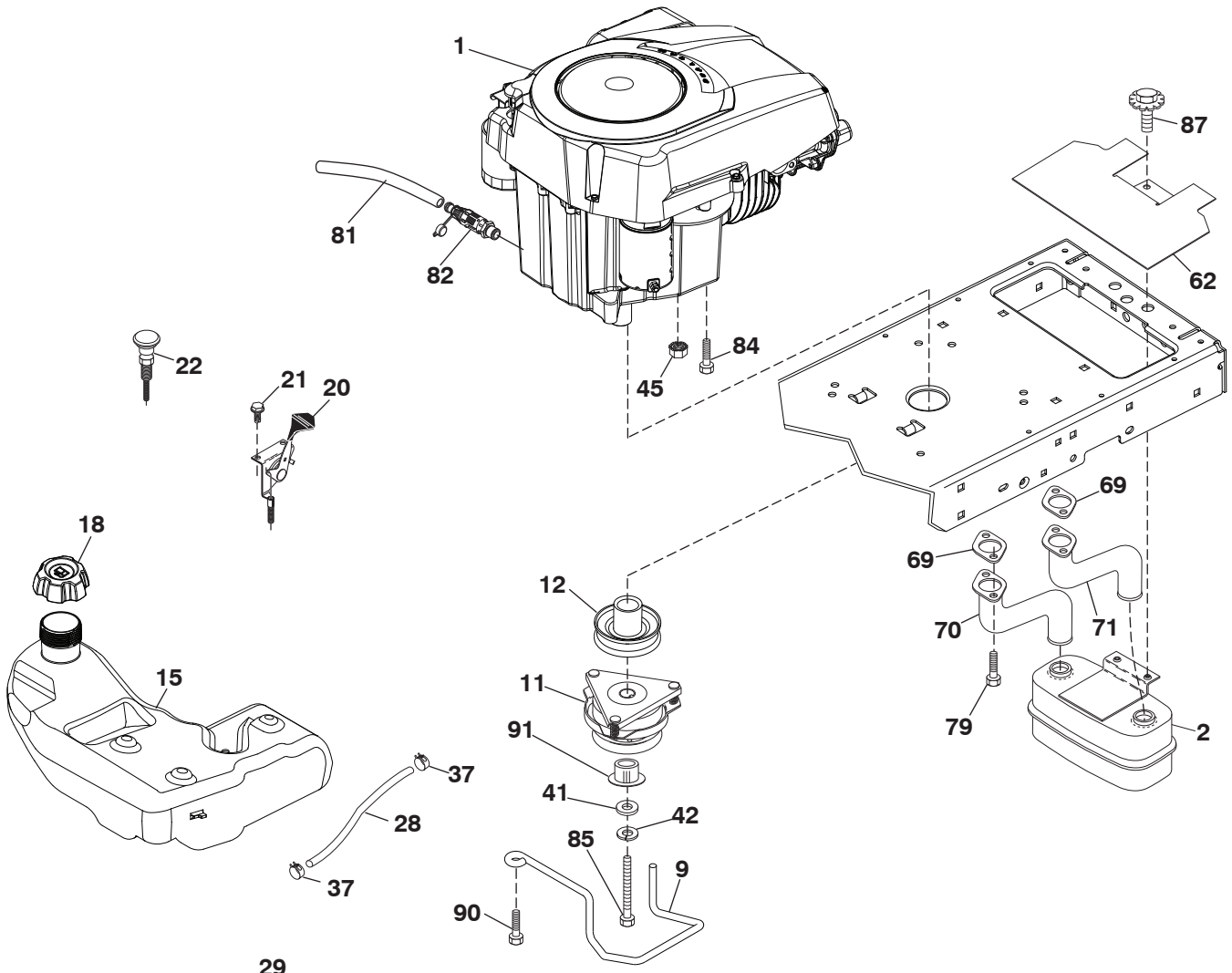
drive-tex_K46_fender_6_r5

**TRACTOR - MODEL NO. LGT2654 (96045003701), PRODUCT NO. 960 45 00-37
DRIVE**

KEY NO.	PART NO.	DESCRIPTION	KEY NO.	PART NO.	DESCRIPTION
1	---	Transaxle, TUFFTORQ K46 AW (448354) (Order parts from trans-axle manufacturer.)	166	532 42 91-64	Nut Push
2	532 18 62-11	Key	167	532 40 52-57	Latch Brake Parking
7	532 19 98-44	Hub Asm. Wheel Rear 22" TXGT.06	170	532 41 34-30	Keeper Belt Centerspan
9	532 14 00-80	Bolt Hub Wheel Rear	174	532 19 72-89	Nut Push
15	819 13 13-16	Washer 13/32 x 13/16 x 16 Ga.	175	532 40 62-08	Shaft Asm Shift
17	532 41 36-78	Spring Brake	176	532 19 62-14	Arm Clevis Rod Shift
22	532 19 73-29	Rod Shift	178	532 19 74-56	Spring Shift
23	532 14 08-45	Knob	183	532 40 04-24	Spacer Split
29	532 40 38-06	Rod, Brake	184	532 44 14-55	Handle Parking Brake
33	812 00 00-01	Ring E	185	872 11 06-22	Bolt Rdhd Sqnk 3/8-16 x 2-3/4 Gr. 5
35	532 43 54-86	Rod Brake Park	186	532 19 43-21	Spacer Retainer
42	532 12 48-72	Cover Foot Pedal	187	819 13 32-10	Washer
49	872 11 06-14	Bolt	188	532 19 43-23	Link Clutch Ground Drive
50	532 19 43-27	Pulley Idler Flat	189	532 19 43-17	Bellcrank Ground Drive
51	873 90 06-00	Lock Nut 3/8-16	190	532 19 43-18	Keeper Bellcrank Ground Drive
52	532 19 43-26	Idler V-Groove	196	817 00 06-16	Screw 3/8-16 x 1
56	532 13 09-69	V-Belt Drive	197	532 19 97-69	Link Clutch Anti-Rotation
64	532 19 62-00	Shaft Asm. Pedal Brake Control	205	532 12 17-48	Washer
70	532 43 96-60	Console Asm.	211	532 19 62-12	Bushing Brake Shaft
73	874 49 05-60	Bolt Hex Flghd 5/16-18 3.75	216	532 19 61-31	Bracket Pulley Idler
74	532 14 24-32	Screw 1/4 x 1/2	220	532 19 89-08	Reflector RH
80	532 44 06-19	Strap Torque	221	532 40 31-87	Retainer Spring Clip Handle
99	532 41 57-43	Rod Bypass	225	532 40 33-19	Keeper Belt Trans.
116	873 90 05-00	Nut Lock Hex Flange 5/16-18	226	532 40 08-31	Bracket Mount Torque
125	817 00 05-12	Screw 5/16-18 x 3/4	227	817 49 05-12	Screw 5/16-18 x 3/4
143	817 49 05-08	Screw 5/16-18 x 1/2	230	532 18 89-67	Washer Hardened
153	532 12 47-88	Retainer Spring	231	532 40 72-87	Idler V-Groove 1.688" Offset
159	876 02 04-12	Pin Cotter 1/8 x 3/4	233	532 40 52-96	Washer Serrated
160	532 16 94-84	Retainer Clip	276	874 78 07-16	Bolt 7/16-14 x 1 Gr. 5
161	532 10 57-09	Spring Return Clutch	279	532 40 62-07	Link Shift
162	532 19 57-85	Spacer Transaxle 18 and 22			

NOTE: All component dimensions given in U.S. inches
1 inch = 25.4 mm

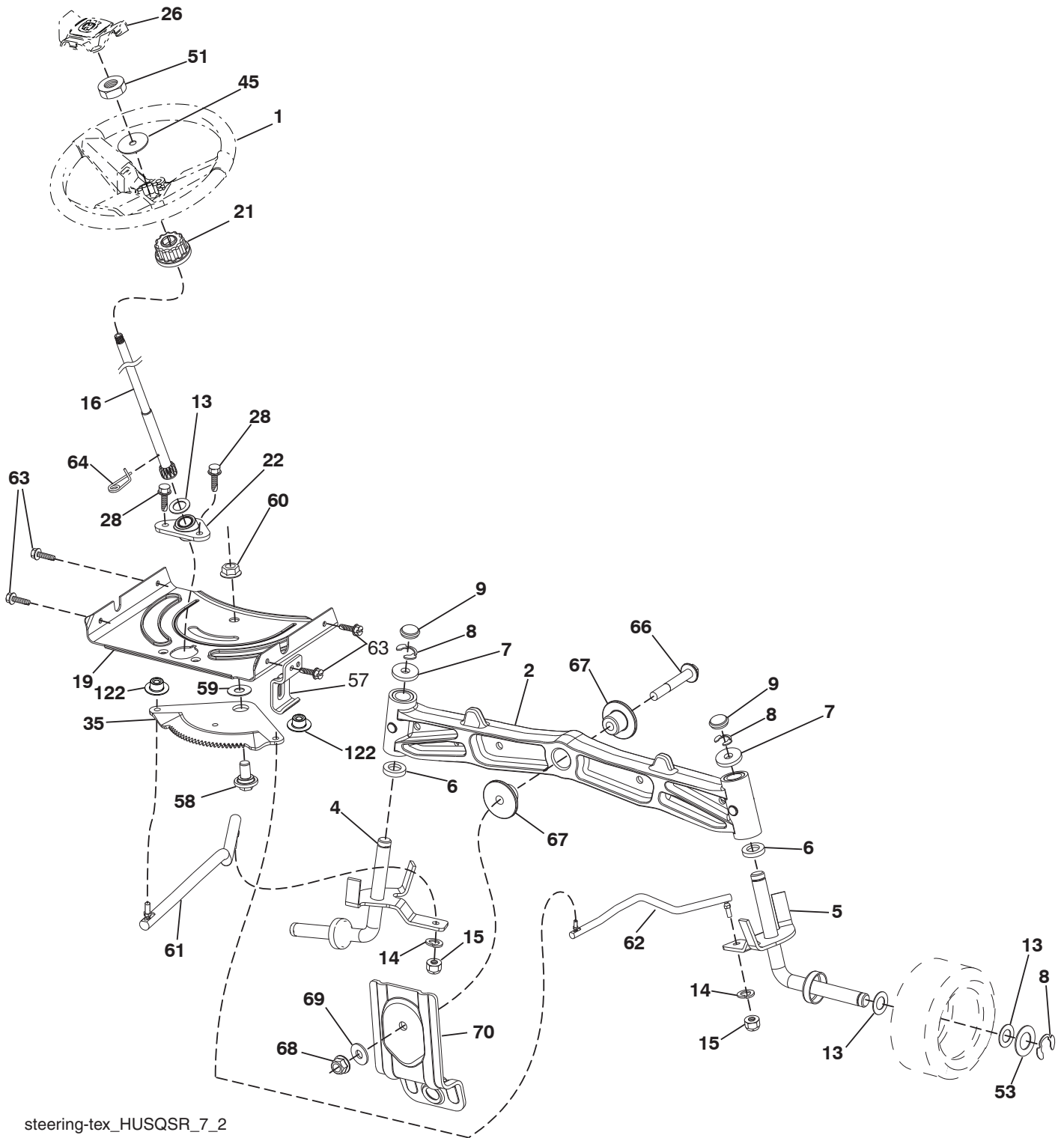
**TRACTOR - MODEL NO. LGT2654 (96045003701), PRODUCT NO. 960 45 00-37
ENGINE**



SPARK ARRESTER KIT

engine-tex_Kohl_19

TRACTOR - MODEL NO. LGT2654 (96045003701), PRODUCT NO. 960 45 00-37
STEERING ASSEMBLY



steering-tex_HUSQSR_7_2

**TRACTOR - MODEL NO. LGT2654 (96045003701), PRODUCT NO. 960 45 00-37
STEERING ASSEMBLY**

KEY NO.	PART NO.	DESCRIPTION
1	532 43 97-40	Wheel, Steering
2	532 19 59-68	Axle Asm., Front
4	532 40 30-89	Spindle Asm., LH
5	532 40 30-90	Spindle Asm., RH
6	532 12 49-31	Bearing, Race Thrust Harden
7	532 12 17-48	Washer 25/32 x 1-5/8 x 16 Ga.
8	812 00 00-29	Ring, Clip #T5304-75
9	532 12 12-32	Cap, Spindle
13	532 12 17-49	Washer 25/32 x 1-1/4 x 16 Ga.
14	810 04 06-00	Washer, Lock Hvy Hlcl Spr 3/8
15	873 54 06-00	Nut, Crown Lock 3/8-24 unf
16	532 40 82-19	Shaft Steering
19	532 19 47-29	Plate Steering
21	532 18 67-37	Adapter, Wheel Steering
22	532 42 05-37	Supt. Lower, Strg.
26	532 43 97-43	Insert, Wheel Steering
28	817 00 06-12	Screw 3/8-16 x 3/4
35	532 19 47-32	Gear, Sector Plate
45	819 18 38-12	Washer 9/16 x 2-3/8 x 12 Ga.
51	873 94 08-00	Nut Hex Jam Toplock 1/2-20 unf
53	532 18 89-67	Washer Hardened .793 x 1.637 x .060
57	532 19 72-46	Bracket Upstop
58	532 19 47-47	Bolt Shoulder Sector Pivot CFM
59	532 19 47-48	Washer Thrust Sector Steering
60	873 97 10-00	Nut Flange Lock 5/8-11
61	532 19 47-40	Draglink, LH
62	532 19 47-41	Draglink, RH
63	817 00 05-12	Screw 5/16-18 x 3/4
64	532 19 98-49	Retainer Clip Spring Steering
66	871 02 07-48	Bolt Hex Fghd 7/16-14 x 3 Serr
67	532 19 47-37	Bushing PM Front Axle
68	873 90 07-00	Nut Lock Flange 7/16-14 Gr. 5
69	532 19 91-62	Washer 1.5 x .505 x .118
70	532 19 61-97	Bracket Deck Susp. Front
122	532 44 49-62	Cap Gear Sector

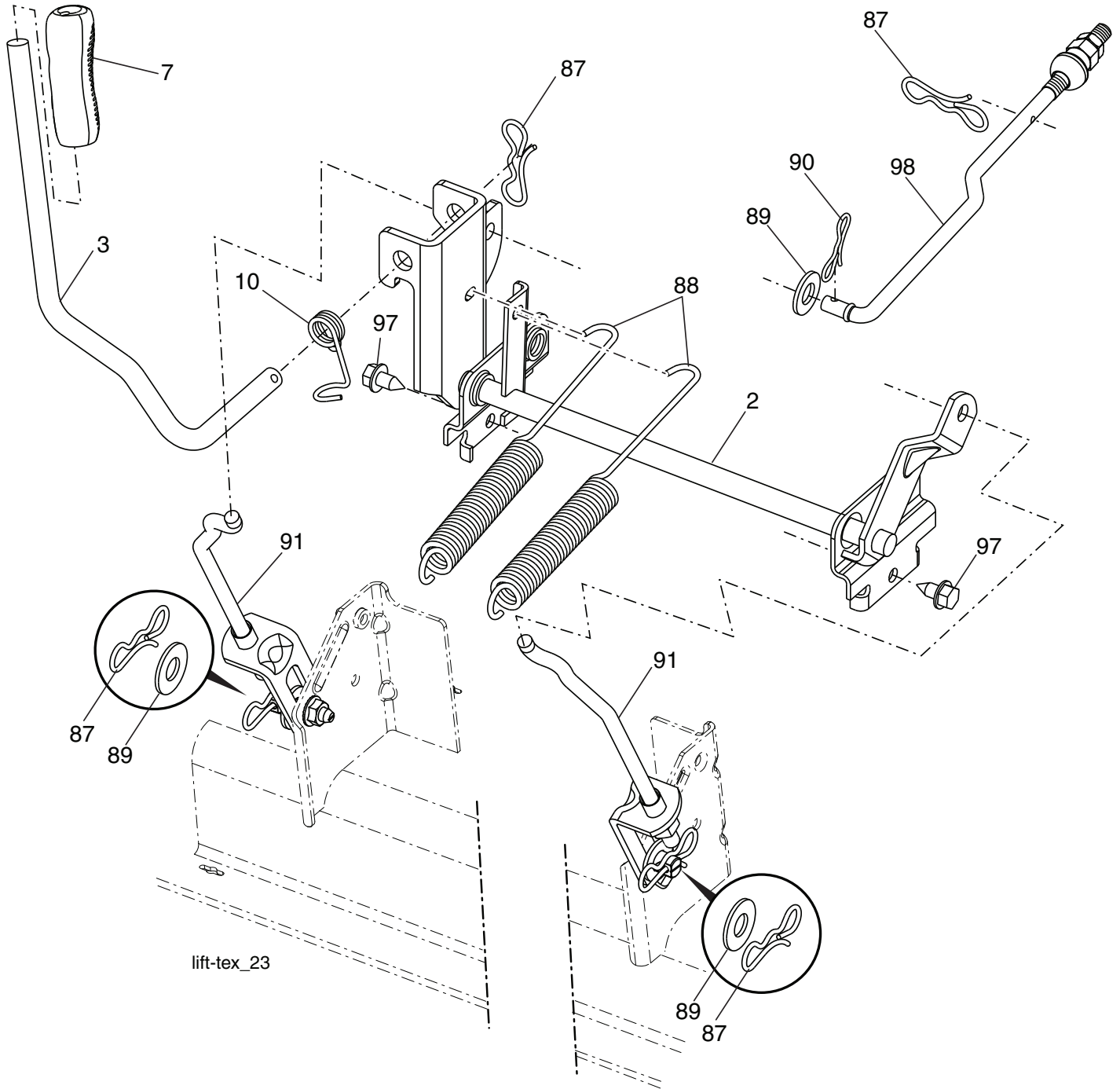
NOTE: All component dimensions given in U.S. inches
1 inch = 25.4 mm

**TRACTOR - MODEL NO. LGT2654 (96045003701), PRODUCT NO. 960 45 00-37
MOWER DECK**

KEY NO.	PART NO.	DESCRIPTION	KEY NO.	PART NO.	DESCRIPTION
1	532 44 50-61	Deck Weldment Mower	59	532 18 73-44	Baffle Left
6	532 19 60-66	Cover Mandrel LH	60	532 18 76-07	Baffle Center
7	532 19 71-81	Cover Mandrel RH	97	532 17 85-15	Washer Hardened
8	532 19 30-03	Bolt 7/16 Asm. Blade	98	532 19 61-05	Spring Drive
11	532 18 72-56	Blade Bagging	113	872 11 05-08	Bolt Rdhd Sqnk 5/16-18 x 3/4
12	532 40 48-51	Rod Anti Sway	114	532 18 75-56	Rod Tension Relief
13	532 18 72-91	Shaft Asm. w/Lower Bearing	116	532 19 34-06	Bolt, Shoulder
14	532 18 72-81	Housing, Mandrel	117	532 17 48-73	Gauge Wheel
16	819 13 13-12	Washer 3/8	120	819 13 20-12	Washer 13/32 x 1-1/4 x 12 Ga.
15	532 11 04-85	Bearing, Ball, Mandrel	122	532 18 75-57	Bushing Tension Relief
18	872 14 05-05	Bolt Carriage 5/16-18 x 5/8	185	873 90 07-00	Nut Lock Flange 7/16-14 Gr. 5
19	532 19 42-08	Pin Cotter 5/16 Bowtie	187	532 19 51-61	Stud Fastener w/"D" Anti-Rotation
21	873 68 05-00	Nut, Crownlock 5/16-18 unc	188	873 90 05-00	Nut Lock Hex Flange
24	532 10 53-04	Cap Sleeve	189	532 19 51-85	Arm Susp. Mower Rear
25	532 17 81-02	Spring, Torsion	190	532 19 65-39	Bolt Shoulder
26	532 11 04-52	Nut, Push	192	532 19 84-68	Keeper Belt Idler
27	532 18 89-38	Deflector Shield	194	874 49 07-36	Bolt Carr Sqnk 7/16-24 x 2
29	532 13 14-91	Rod, Hinge	196	872 14 06-20	Bolt Rdhd 3/8-16 x 2-1/2 Gr. 5
30	532 17 39-84	Screw, Thdroll Washer Head	241	532 15 29-27	Screw
31	532 18 76-90	Washer, Spacer Mower Vented	242	532 41 55-98	Washout Port
32	532 15 35-35	Pulley, Mandrel	--	532 41 64-05	Coupling, Quick Connect
33	532 40 02-34	Nut, Flg. Top Lock	--	532 18 72-92	Mandrel Assembly (Includes housing, shaft assembly, and bearing only - pulley/nut/washer and blade bolt/washers not included)
34	873 98 06-00	Nut Crownlock 3/8-16 unc			
39	532 19 73-80	Pulley, Idler, Stationary LH			
43	532 19 60-65	Arm, Idler			
46	532 13 77-29	Screw, Thdroll. 1/4-20 x 5/8			
47	532 19 61-03	Belt Deck Drive	--	532 41 82-29	Replacement Mower, Complete
49	873 90 06-00	Nut, Lock Flg. 3/8-16 unc			
50	872 11 06-16	Bolt Rdhd Sqnk 3/8-16 unc x 2			
52	532 19 73-79	Pulley Idler			
58	532 18 73-42	Baffle Right			

NOTE: All component dimensions given in U.S. inches
1 inch = 25.4 mm

**TRACTOR - MODEL NO. LGT2654 (96045003701), PRODUCT NO. 960 45 00-37
MOWER LIFT**

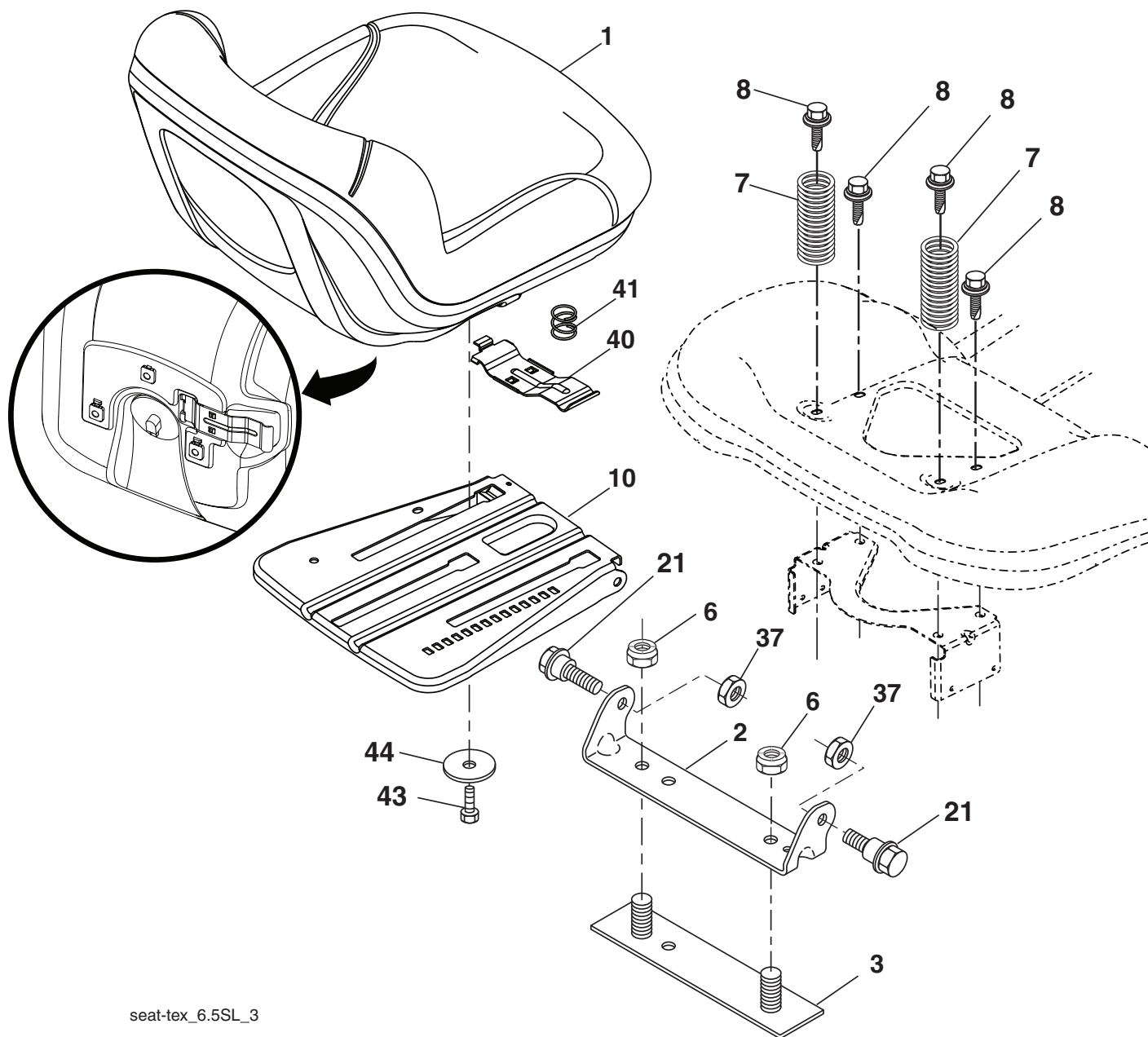


KEY NO.	PART NO.	DESCRIPTION
2	532 42 20-27	Shaft Asm., Lift
3	532 19 52-30	Lever Asm., Lift RH
7	580 96 23-01	Grip, Lever
10	532 19 63-14	Spring Torsion
87	532 19 42-09	Pin Cotter 7/16 Bow Tie Lock
88	532 19 53-04	Spring Lift Assist
89	819 19 19-12	Washer Clear Zinc

KEY NO.	PART NO.	DESCRIPTION
90	532 19 42-08	Pin Cotter 5/16 Bow Tie Lock
91	532 40 34-07	Link Lift Susp Mower Rear
97	817 00 06-12	Screw 3/8-16 x 3/4
98	532 19 52-64	Link Lift Susp. Front Mower

NOTE: All component dimensions given in U.S. inches
1 inch = 25.4 mm

**TRACTOR - MODEL NO. LGT2654 (96045003701), PRODUCT NO. 960 45 00-37
SEAT ASSEMBLY**



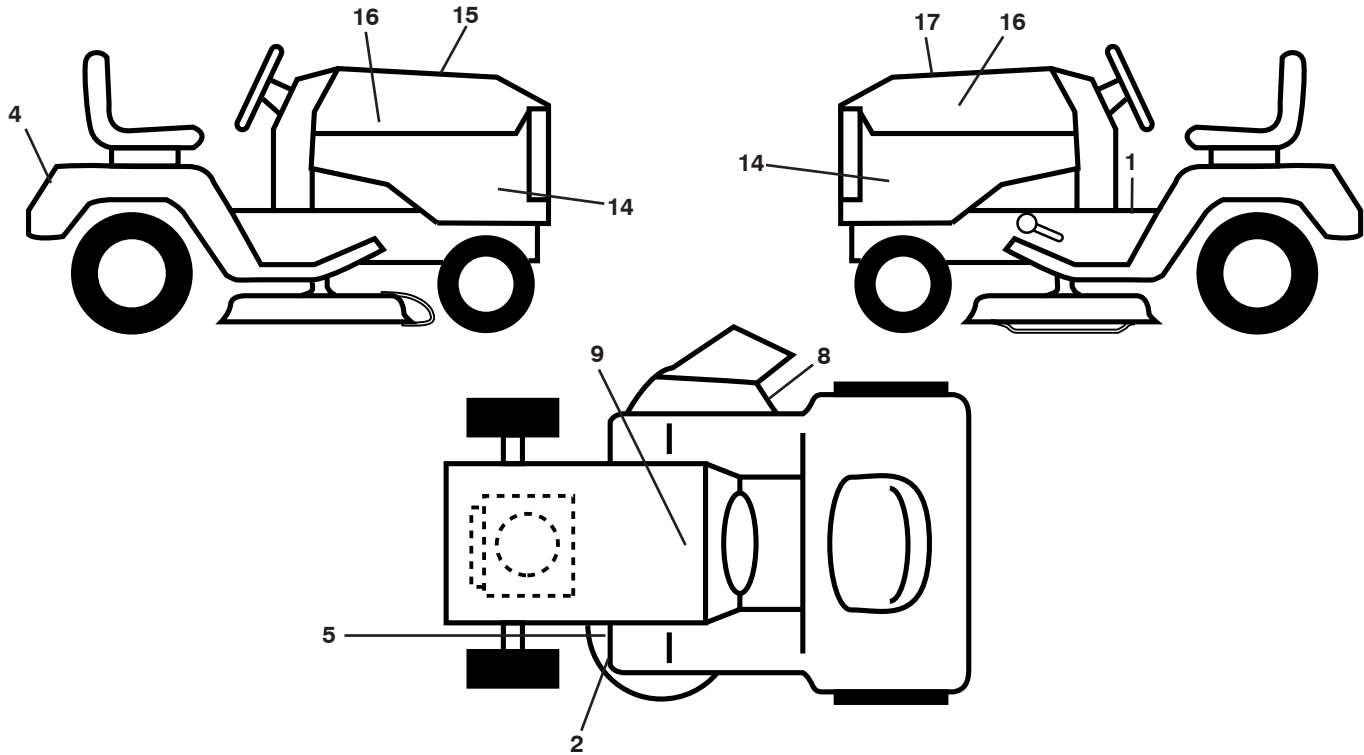
seat-tex_6.5SL_3

KEY NO.	PART NO.	DESCRIPTION
1	532 43 98-22	Seat
2	532 18 01-66	Bracket Pivot Fender
3	532 14 06-75	Strap, Asm Fender
6	873 80 06-00	Nut, Lock w/Ins. 3/8-16 unc
7	532 12 41-81	Spring, Seat Cprsn
8	532 17 18-77	Bolt 5/16-18 unc x 3/4 w/Sems
10	532 19 69-77	Pan, Seat
21	532 17 18-52	Bolt, Shoulder 5/16-18

KEY NO.	PART NO.	DESCRIPTION
37	873 80 05-00	Nut, Lock 5/16-18 unc
40	532 19 76-61	Handle Slide Seat
41	532 19 82-00	Spring Latch Seat
43	874 76 06-12	Bolt 3/8-16 x 3/4
44	819 13 38-12	Washer 13/32 x 2-3/8 x 12 Ga.

NOTE: All component dimensions given in U.S. inches
1 inch = 25.4 mm

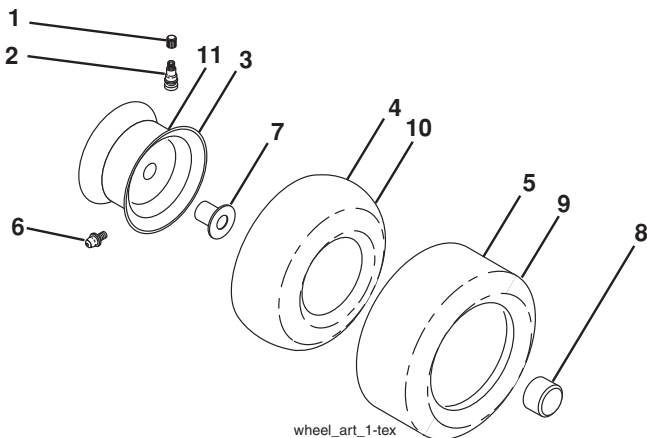
**TRACTOR - MODEL NO. LGT2654 (96045003701), PRODUCT NO. 960 45 00-37
DECALS**



KEY NO.	PART NO.	DESCRIPTION
1	581 57 87-01	Decal, Warning
2	581 57 95-01	Decal, Mower
4	532 19 15-54	Decal, Fender
5	532 17 84-55	Decal, Caution
8	581 58 00-02	Decal, Mower Sch.
9	532 14 50-05	Decal, Battery Dnge/Poi
14	532 44 64-69	Decal, Panel Side
15	532 42 38-29	Decal, Warning Customer Resp.
16	532 42 91-96	Decal, Hood Logo

KEY NO.	PART NO.	DESCRIPTION
17	532 44 52-95	Decal, Replacement
--	532 16 69-60	Decal, Bypass
--	580 88 58-01	Decal, E85 Warning
--	532 44 66-01	Tractor Apdeck
--	532 43 98-82	Pad, Footrest, LH
--	532 44 15-42	Pad, Footrest, RH
--	581 54 00-26	Manual, Operator's (English/Spanish)
--	581 54 00-27	Manual, Parts (English/Spanish)

WHEELS AND TIRES



KEY NO.	PART NO.	DESCRIPTION
1	532 05 91-92	Cap, Valve, Tire
2	532 06 51-39	Stem, Valve
3	532 18 18-39	Rim Assembly, Front
4	532 00 81-34	Tube, Front (Service Item Only)
5	532 10 62-30	Tire, Front
6	532 12 49-57	Fitting, Grease (Front Wheel Only)
7	532 12 49-59	Bearing, Flange (Front Wheel Only)
8	532 17 50-39	Cap, Axle
9	532 18 47-08	Tire, Rear
10	532 00 71-54	Tube, Rear (Service Item Only)
11	532 40 17-82	Rim Assembly, Rear
--	532 14 43-34	Sealant, Tire (10 oz. Tube)

NOTE: All component dimensions given in U.S. inches
1 inch = 25.4 mm