

2 MODEL LP1812C

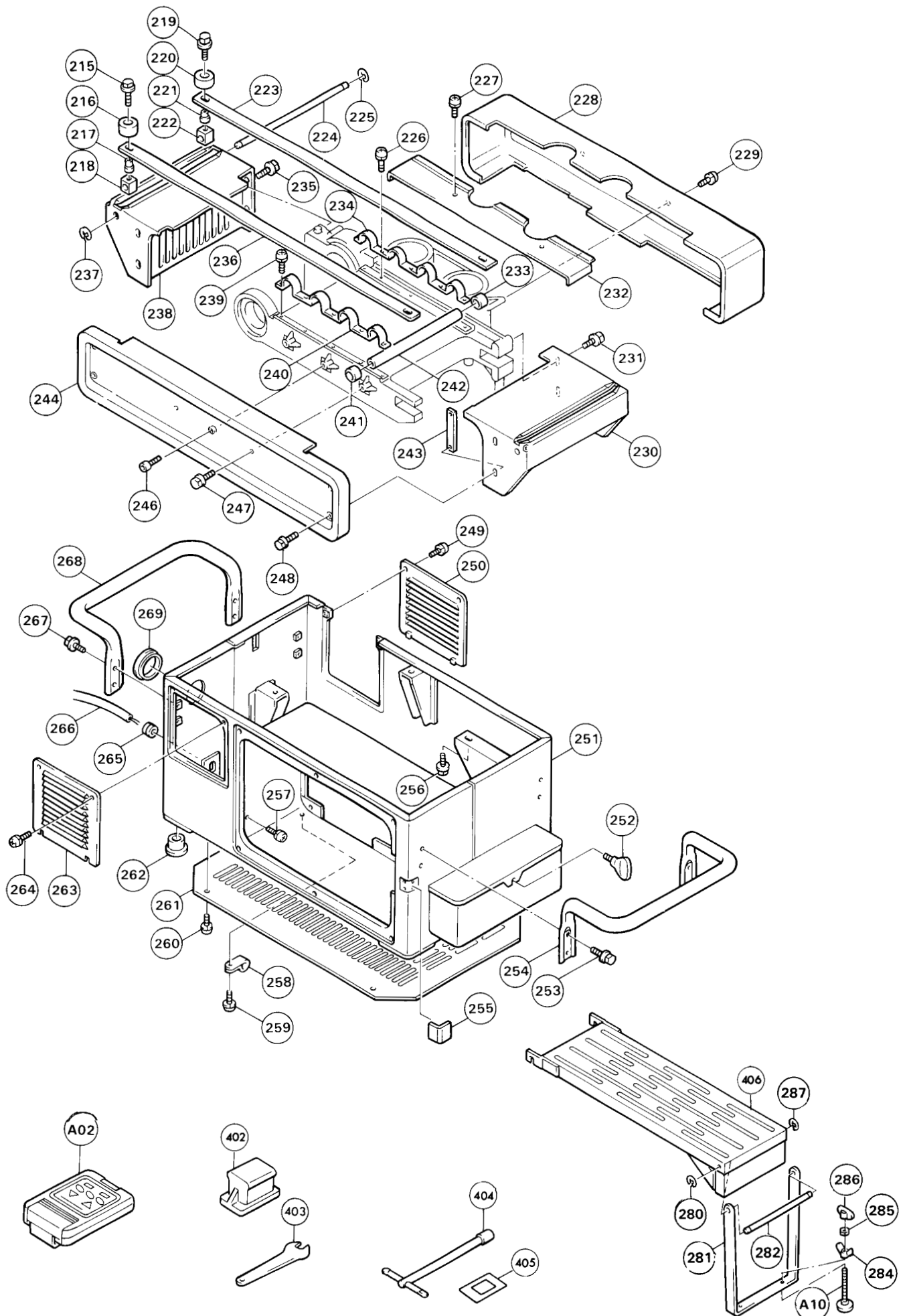


Fig.	Part No.	Qty. Used	Description	Fig.	Part No.	Qty. Used	Description
1	911148-2	3	PAN HEAD SCREW M4X25	57	911118-1	2	PAN HEAD SCREW M4X12
2	415163-3	1	MOTOR COVER	58	265912-6	1	HEX. SOCKET HEAD BOLT M5X22
3	150491-6	1	KNOB 30 COMPLETE	59	316505-3	1	MAIN PULLEY
4	913106-4	1	SET SCREW M4X8	60	265912-6	1	HEX. SOCKET HEAD BOLT M5X22
5	322611-4	1	ADJUST SCREW M4	61	225077-6	1	FLAT BELT 150-893
6	951154-5	2	SPRING PIN 5-14	62	912222-9	3	COUNTERSUNK HEAD SCREW M5X16
7	285629-5	1	BEARING RETAINER 55	63	254220-0	1	KEY 5
8	911118-1	4	PAN HEAD SCREW M4X12	64	254220-0	1	KEY 5
9	632283-0	1	CORD UNIT	65	285665-1	1	BEARING RETAINER 56
11	911119-9	1	PAN HEAD SCREW M4X12	66	322608-3	1	DRIVE SHAFT
12	687064-7	1	STRAIN RELIEF	67	211279-0	1	BALL BEARING 6303LLU
13	911119-9	1	PAN HEAD SCREW M4X12	68	159604-6	1	MAIN FRAME COMPLETE (INCL. FIG. 133)
14	687055-8	1	STRAIN RELIEF	69	210005-4	2	BALL BEARING 608DDW
15	286227-8	2	CAP 18	70	210005-4	2	BALL BEARING 608DDW
16	151425-2	1	KNIFE STOCK FRAME COMPLETE (INCL. SPRING PIN 2-8 #951001-0)	71	921442-4	2	HEX. BOLT M8X25
17	632287-2	1	CORD UNIT	72	322370-0	1	BUSH
18	911024-0	2	PAN HEAD SCREW M3X14	73	322370-0	1	BUSH
19	651905-3	1	SWITCH	74	211279-0	1	BALL BEARING 6303LLU
20	911148-2	1	PAN HEAD SCREW M4X25	75	213611-4	1	O RING 46
21	233020-1	1	COMPRESSION SPRING 5	76	213265-7	1	O RING 17
22	163301-8	1	SWITCH HOLDER	77	322615-6	1	RING 17
23	911118-1	2	PAN HEAD SCREW M4X12	78	285665-1	1	BEARING RETAINER 56
24	161121-4	1	SWITCH PLATE	79	912222-9	3	COUNTERSUNK HEAD SCREW M5X16
25	911118-1	2	PAN HEAD SCREW M4X12	80	254220-0	1	KEY 5
26	265364-1	4	HEX. FLANGE HEAD BOLT M6X10	81	226414-7	1	HELICAL GEAR 49
27	150223-1	1	SET PLATE COMPLETE	82	253752-4	1	FLAT WASHER 8
29	331423-4	1	ADJUST PLATE	83	922421-5	1	HEX SOCKET HEAD BOLT M8X16
30	251609-3	3	HEX. FLANGE HEAD BOLT M6X17	84	213907-3	1	O RING 150
31	134721-3	1	KNIFE STOCK ASS'Y (INC. FIG. 30,32)	85	159606-2	1	GEAR HOUSING COMPLETE
32	731042-0	1	ADJUST BLADE 190	86	286238-3	1	CAP 19
33	265299-6	2	HEX. BOLT M6	87	911263-2	4	PAN HEAD SCREW M5X40
34	232077-9	2	LEAF SPRING	88	679022-7	1	ELECTRO-MAGNETIC BRAKE
35	251961-9	3	HEX. SOCKET HEAD BOLT M6X10	89	911223-4	4	PAN HEAD SCREW M5X16
36	331425-0	2	ADJUST BLOCK	90	265854-4	1	HEX. SOCKET HEAD BOLT M6X12
37	150492-4	2	ADJUST SCREW COMPLETE	91	632284-8	1	CORD UNIT
38	922231-0	4	HEX. SOCKET HEAD BOLT M5X20	92	253315-6	5	THIN WASHER 15
39	251895-6	1	SCREW M6X19	93	962211-4	1	RETAINING RING R-42
40	911148-2	1	PAN HEAD SCREW M4X25	94	257181-3	1	RING 15
41	233020-1	1	COMPRESSION SPRING 5	95	253347-3	6	THIN WASHER 35
42	163301-8	1	SWITCH HOLDER	96	211231-8	1	BALL BEARING 6302DDW
43	651905-3	1	SWITCH	97	253147-1	1	FLAT WASHER 15
44	911024-0	2	PAN HEAD SCREW M3X14	98	213007-9	1	O RING 8
45	233020-1	1	COMPRESSION SPRING 5	99	921442-4	1	HEX BOLT M8X25
46	253307-5	1	THIN WASHER 4	100	211209-1	1	BALL BEARING 6202
47	163301-8	1	SWITCH HOLDER	101	226809-4	1	GEAR COMPLETE 15-56
48	651903-7	1	SWITCH	102	211209-1	1	BALL BEARING 6202
49	632285-6	1	CORD UNIT	103	211069-1	1	BALL BEARING 6200
50	911024-0	2	PAN HEAD SCREW M3X14	104	226810-9	1	GEAR COMPLETE 15-54
51	911118-1	2	PAN HEAD SCREW M4X12	105	254211-1	1	KEY 5
52	632286-4	1	CORD UNIT	106	213267-3	1	OIL SEAL 17
53	911118-1	2	PAN HEAD SCREW M4X12	107	962203-3	1	RETAINING RING R-47
54	161121-4	1	SWITCH PLATE	108	211279-0	1	BALL BEARING 6303LLU
55	161121-4	1	SWITCH PLATE	109	961057-5	1	RETAINING RING S-17
56	911118-1	2	PAN HEAD SCREW M4X12	110	322368-7	1	TENSION SHAFT

Fig.	Part No.	Qty. Used	Description	Fig.	Part No.	Qty. Used	Description
111	251618-2	1	HEX BOLT M6X43	164	164962-7	1	ELEVATING NUT
112	251618-2	1	HEX BOLT M6X43	165	951125-2	1	SPRING PIN 4-32
113	316181-3	1	TENSION PULLEY	166	231492-4	1	COMPRESSION SPRING 21
114	961057-5	1	RETAINING RING S-17	167	311848-8	1	SLIDE HOLDER
115	211279-0	1	BALL BEARING 6303LLU	168	951116-3	1	SPRING PIN 4-20
116	962203-3	1	RETAINING RING R-47	169	961006-2	1	RETAINING RING S-10
117	631162-9	1	CONTROLLER	170	253758-2	2	FLAT WASHER 10
118	911119-9	1	PAN HEAD SCREW M4X12	171	253758-2	1	FLAT WASHER 10
119	911243-8	4	PAN HEAD SCREW M5X25	172	152372-0	1	SPINDLE COMPLETE
120	159605-4	1	MOTOR HOUSING COMPLETE (INCL. 2EA. BRUSH HOLDER #643705-5, 2EA. SET SCREW M5X8 #913206-0)	173	221947-7	1	SPUR GEAR 25
121	191953-5	1	CARBON BRUSH CB-203	174	153173-9	1	SPUR GEAR 9 COMPLETE
122	643700-5	2	BRUSH HOLDER CAP 7-18	175	221947-7	1	SPUR GEAR 25
123	662990-1	1	POWER SUPPLY CORD 2.0-5-0.45	176	629665-5	1	DC MOTOR DC115V (INCL. SPUR GEAR 9 #226225-0)
124	911119-9	1	PAN HEAD SCREW M4X12	177	414580-4	1	MOTOR CASE
125	687049-3	1	STRAIN RELIEF	178	265935-4	6	TAPPING SCREW 3X20
126	682530-9	1	GROMMET	179	414580-4	1	MOTOR CASE
127	284010-7	1	REAR COVER	180	267037-2	1	FLAT WASHER 8
128	911213-7	2	PAN HEAD SCREW M5X12	181	221947-7	1	SPUR GEAR 25
129	636016-5	1	FIELD 115V	182	221947-7	1	SPUR GEAR 25
130	961004-6	1	RETAINING RING S-8	183	221947-7	1	SPUR GEAR 25
131	211087-9	1	BALL BEARING 6200DDW	184	221947-7	1	SPUR GEAR 25
132	516541-1	1	ARMATURE ASS'Y 115V (INCL. FIG. 131, 134, 135)	185	221948-5	1	INTERNAL GEAR 60
133	263005-3	1	RUBBER PIN 6	186	214052-7	1	PLANE BEARING 10
134	213225-9	1	OIL SEAL 15	187	212057-1	1	THRUST NEEDLE BEARING 1023
135	211228-7	1	BALL BEARING 6202DDW	188	262520-4	1	SLEEVE 10
136	688105-2	1	MAGNET SLEEVE	189	951116-3	1	SPRING PIN 4-20
137	415200-3	1	BAFFLE PLATE	190	631152-2	1	CONTROL CIRCUIT (INCL. 2EA. RELAY G2R(1P) #652702-0, 1EA. RELAY G2R(2P) #652690-1, 2EA FUSE 3A #6526)
138	911691-1	2	PAN HEAD SCREW M5X70	191	632128-2	1	CORD UNIT
139	245019-4	1	HOSE 25.07	192	632130-5	1	LEAD UNIT
140	415193-4	1	CUFF	193	911129-6	6	PAN HEAD SCREW M4X16
141	331422-6	1	SUB COLUMN	194	911103-4	6	PAN HEAD SCREW M4X6
142	343992-3	1	REAR GUIDE PLATE	195	414783-0	1	CIRCUIT COVER
143	251969-3	5	HEX SOCKET HEAD BOLT M5X12	196	911004-6	2	PAN HEAD SCREW M3X6
145	343991-5	1	FRONT GUIDE PLATE	197	631124-7	1	OPERATION CIRCUIT
146	251969-3	8	HEX SOCKET HEAD BOLT M5X12	198	632289-8	1	LEAD UNIT
147	343993-1	1	LIMIT HOLDER	199	632292-9	1	LEAD UNIT
148	687025-7	1	STRAIN RELIEF	200	632291-1	1	LEAD UNIT
149	632288-0	1	CORD UNIT	201	632290-3	1	LEAD UNIT
150	651905-3	1	SWITCH (V-5G55-3C2)	202	163349-0	1	UNIT PLATE
151	652180-4	1	ACTUATOR	203	265954-0	2	TAPPING SCREW BIND PT3X8
152	911034-7	2	PAN HEAD SCREW M3X18	204	651510-6	1	SWITCH ALA263
153	911034-7	2	PAN HEAD SCREW M3X18	205	911213-7	6	PAN HEAD SCREW M5X12
154	652180-4	1	ACTUATOR	206	150490-8	1	SWITCH PANEL COMPLETE
155	651904-5	1	SWITCH (V-5G55-2C2)	207	652694-3	1	RELAY 115V
156	911213-7	1	PAN HEAD SCREW M5X12	208	911129-6	2	PAN HEAD SCREW M4X16
157	322610-6	1	SCREW M12	209	911129-6	2	PAN HEAD SCREW M4X16
158	331421-8	1	MAIN COLUMN	210	687060-5	1	SUPPORTER
159	322612-2	3	ROD 10-195	211	652694-3	1	RELAY 115V
160	942151-2	3	SPRING WASHER 6	212	911129-6	2	PAN HEAD SCREW M4X16
161	931302-2	3	HEX. NUT M6	213	649143-9	1	TRANSFORMER 115V (INCL. 2EA. FUSE 3A #652691-9)
162	252424-8	1	NUT M20-45	214	911213-7	4	PAN HEAD SCREW M5X12
163	261083-7	1	RUBBER WASHER 20	215	265365-9	2	HEX. FLANGE HEAD BOLT M6X25

