



BOSCH

Laser detector

LR 1 | 3 601 K15 410

Table of Content

Spare parts list.....	2
Illustration - Type.....	3

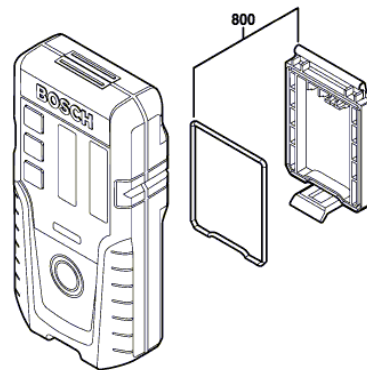
Spare parts list

Item	Part Number	Description	Illustration	Price	Quantity	Price Group
800	2 610 A13 737	Battery Cover	1	-	1	

* Prices shown are suggested retail prices

Illustration - Type - E

3 601 K15 410
Issue |
Stand | 11-01-06 **Fig./Abb. 1**



Modifications reserved
Änderungen vorbehalten
Modifications réservées
Salvo modificaciones