



**BOSCH**

# Laser Level

LR 30 | 3 601 K69 210

---

## Table of Content

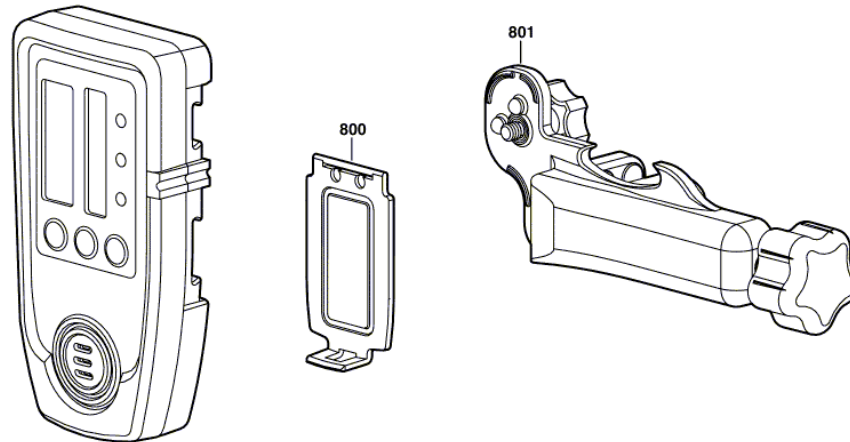
Spare parts list.....	2
Illustration - Type.....	3

**Spare parts list**

<b>Item</b>	<b>Part Number</b>	<b>Description</b>	<b>Illustration</b>
800	2 610 A07 677	Battery Cover	1
801	2 610 A13 635	Mounting Bracket	1

Illustration - Type - E

F 034 069 400  
Issue | 09-21  
Stand | 10-02-01 **Fig./Abb. 1**



Modifications reserved  
Änderungen vorbehalten  
Modifications réservées  
Salvo modificaciones