



**BOSCH**

# Laser detector

LR 8 | 3 601 K69 J11

---

## Table of Content

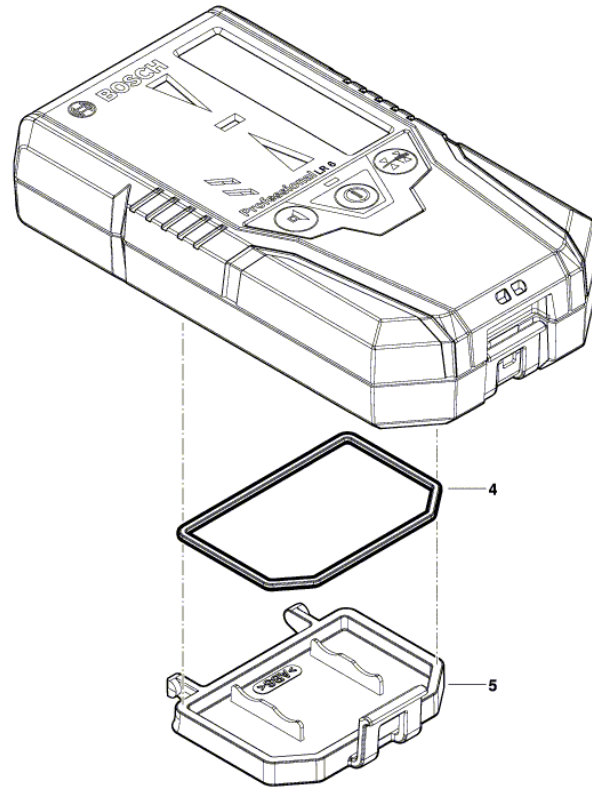
Spare parts list.....	2
Illustration - Type.....	3

**Spare parts list**

<b>Item</b>	<b>Part Number</b>	<b>Description</b>	<b>Illustration</b>
4	1 618 C01 21C	Housing Seal Ring	1
5	1 618 C01 14U	Battery Cover	1

Illustration - Type - E

3 601 K69 H00  
Issue |  
Stand | 16-03-21 Fig. /Abb. 1



Modifications reserved  
Änderungen vorbehalten  
Modifications réservées  
Salvo modificaciones