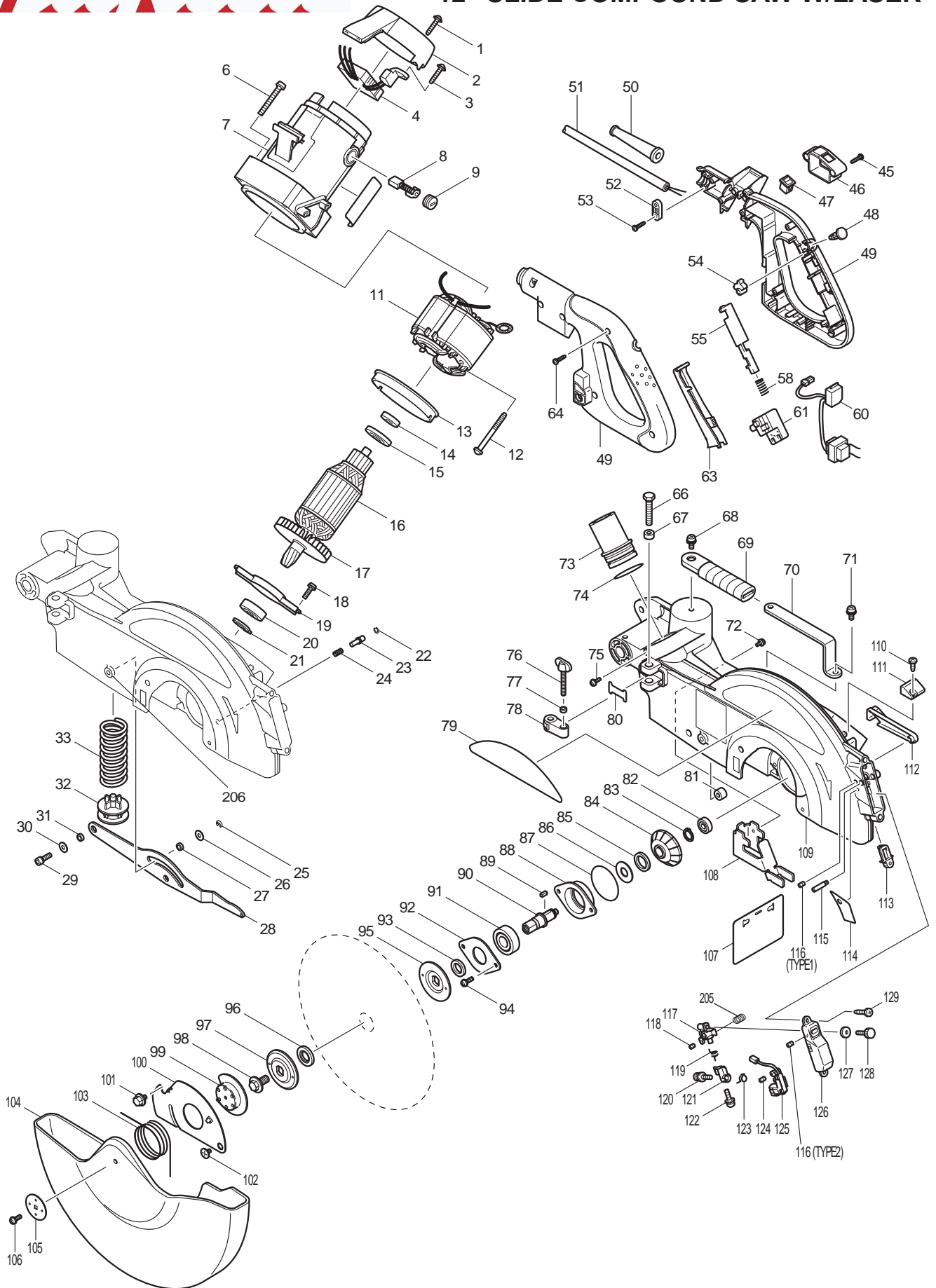


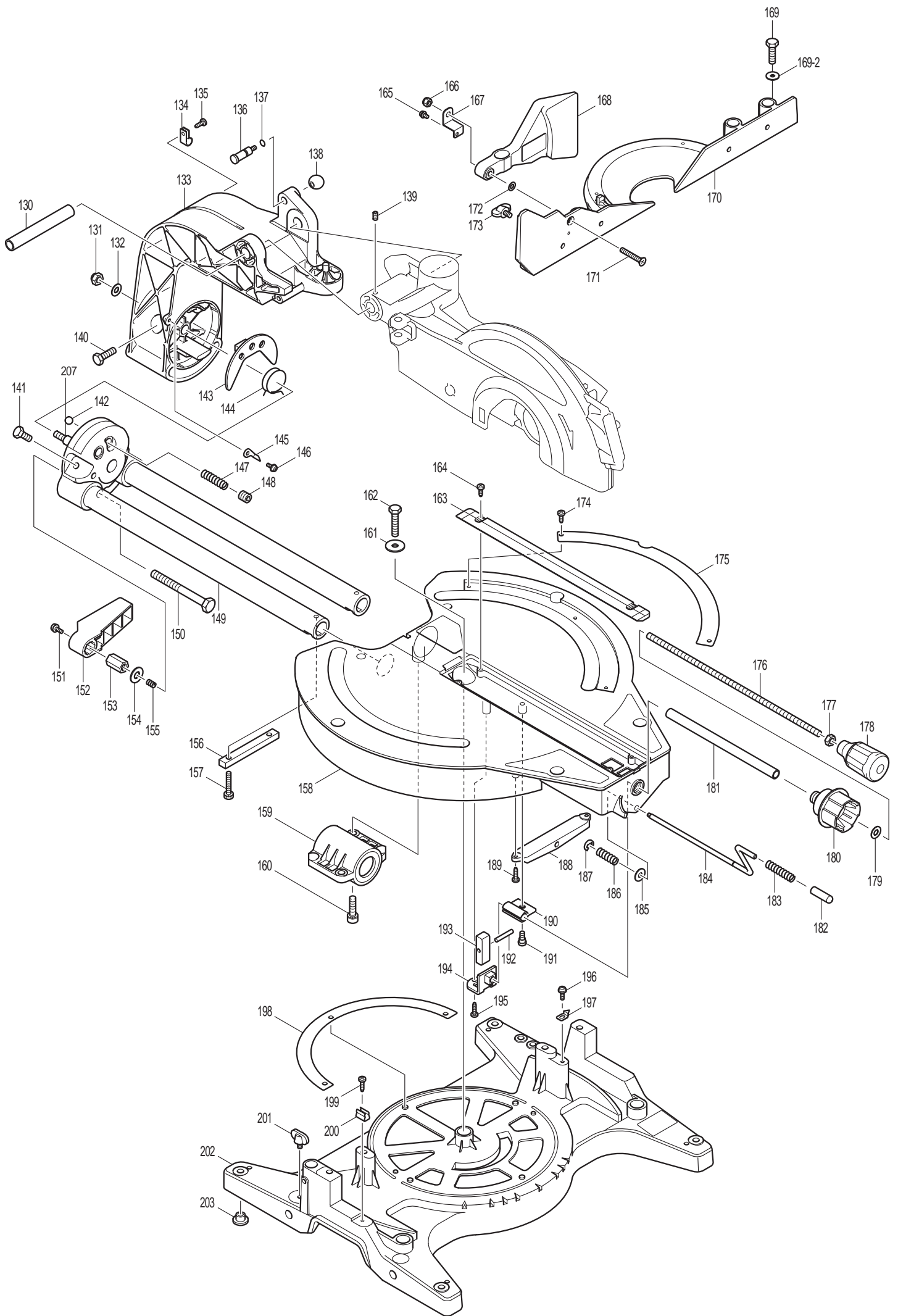


03 - 2010

LS1214L / LS1214LX1

12" SLIDE COMPOUND SAW W/LASER





| Item No. | Type | Sub | Part No. | Description (*See service changes on the bottom) | Qty | Unit |
|----------|------|------|----------|--|-----|------|
| 1 | | | 265995-6 | TAPPING SCREW 4X18 | 2 | PC. |
| 2 | | | 416075-3 | REAR COVER | 1 | PC. |
| 3 | | | 265995-6 | TAPPING SCREW 4X18 | 1 | PC. |
| 4 | | | 631237-4 | CONTROLLER | 1 | PC. |
| 6 | | | 911373-5 | PAN HEAD SCREW M6X50 | 4 | PC. |
| 7 | | | 154720-9 | MOTOR HOUSING COMPLETE | 1 | PC. |
| | | INC. | 643660-1 | BRUSH HOLDER 6.5-13.5 | 2 | PC. |
| | | INC. | 810642-0 | CAUTION LABEL | 1 | PC. |
| | | INC. | 810969-8 | CAUTION LABEL | 1 | PC. |
| 8 | 1 | | 181047-4 | CARBON BRUSH CB-154 2PC/SET (W/O ORIGIN) | 1 | SET |
| | 2 | | 194986-9 | CARBON BRUSH CB-154 2PC/SET (W/ ORIGIN) | 1 | SET |
| 9 | | | 643650-4 | BRUSH HOLDER CAP 6.5-13.5 | 2 | PC. |
| 11 | | | 596156-0 | FIELD ASS'Y 115V | 1 | PC. |
| | | INC. | 654020-2 | RING TERMINAL | 2 | PC. |
| | | INC. | 654502-4 | CONNECTOR P-2 | 2 | PC. |
| 12 | | | 266059-9 | TAPPING SCREW 5X75 | 2 | PC. |
| 13 | | | 416264-0 | BAFFLE PLATE | 1 | PC. |
| 14 | | | 211061-7 | BALL BEARING 6000LLB | 1 | PC. |
| 15 | | | 681642-5 | INSULATION WASHER | 1 | PC. |
| 16 | | | 516931-8 | ARMATURE ASS'Y 115V | 1 | PC. |
| | | INC. | | Item No. 14,15,17 | | |
| 17 | | | 240001-8 | FAN 80 | 1 | PC. |
| 18 | | | 911223-4 | PAN HEAD SCREW M5X16 | 2 | PC. |
| 19 | | | 285686-3 | BEARING RETAINER 94 | 1 | PC. |
| 20 | | | 211275-8 | BALL BEARING 6003DDW | 1 | PC. |
| 21 | | | 961057-5 | RETAINING RING S-17 | 1 | PC. |
| 22 | | | 231928-3 | RING SPRING 8 | 1 | PC. |
| 23 | | | 256633-1 | PIN 6 | 1 | PC. |
| 24 | | | 231240-1 | COMPRESSION SPRING 7 | 1 | PC. |
| 25 | | | 961018-5 | STOP RING E-5 | 1 | PC. |
| 26 | | | 253804-1 | FLAT WASHER 6 | 1 | PC. |
| 27 | | | 257163-5 | RING 6 | 1 | PC. |
| 28 | | | 345605-2 | LINK PLATE | 1 | PC. |
| 29 | | | 922331-6 | HEX. SOCKET HEAD BOLT M6X20 | 1 | PC. |
| 30 | | | 253804-1 | FLAT WASHER 6 | 1 | PC. |
| 31 | | | 257163-5 | RING 6 | 1 | PC. |
| 32 | | | 316470-6 | SPRING HOLDER | 1 | PC. |
| 33 | | | 233454-8 | COMPRESSION SPRING 34 | 1 | PC. |
| 45 | | | 265995-6 | TAPPING SCREW 4X18 | 2 | PC. |
| 46 | | | 154541-9 | SWITCH BOX COMPLETE | 1 | PC. |
| | | INC. | 817540-9 | LASER BEAM LABEL | 1 | PC. |
| 47 | | | 651522-9 | SWITCH SLE6A | 1 | PC. |
| 48 | | | 411478-6 | SWITCH BUTTON | 1 | PC. |
| 49 | | | 183980-6 | HANDLE SET | 1 | SET |
| 50 | | | 682505-8 | CORD GUARD 10-90 | 1 | PC. |
| 51 | | | 664463-0 | CORD W/PLUG 2P-14-2.5M, SJ | 1 | PC. |
| 52 | | | 687052-4 | STRAIN RELIEF | 1 | PC. |
| 53 | | | 265995-6 | TAPPING SCREW 4X18 | 2 | PC. |
| 54 | | | 414546-4 | CAM | 1 | PC. |
| 55 | | | 416000-4 | LOCK OFF LEVER | 1 | PC. |
| 58 | | | 231457-6 | COMPRESSION SPRING 3 | 1 | PC. |
| 60 | | | 631576-2 | POWER SUPPLY CIRCUIT | 1 | PC. |
| 61 | | | 651923-1 | SWITCH TG70B | 1 | PC. |
| 62 | Opt. | | 651941-9 | SWITCH (for High Voltage 220V) - Optional Only* | 1 | PC. |

*This item is only for high voltage 220V machine to prevent damage of brake winding.
Not necessary for Canadian model.

| Item No. | Type | Sub | Part No. | Description (*See service changes on the bottom) | Qty | Unit |
|----------|------|------|----------|--|-----|------|
| 63 | | | 415999-0 | SWITCH LEVER | 1 | PC. |
| 64 | | | 265995-6 | TAPPING SCREW 4X18 | 8 | PC. |
| 66 | | | 921467-8 | HEX. BOLT M8X45 | 1 | PC. |
| 67 | | | 262003-4 | RUBBER RING 6 | 1 | PC. |
| 68 | | | 911323-0 | PAN HEAD SCREW M6X16 | 1 | PC. |
| 69 | | | 421562-9 | GRIP | 1 | PC. |
| 70 | | | 344420-1 | GRIP HOLDER | 1 | PC. |
| 71 | | | 911323-0 | PAN HEAD SCREW M6X16 | 1 | PC. |
| 72 | | | 911114-9 | PAN HEAD SCREW M4X10 | 1 | PC. |
| 73 | | | 419277-0 | DUST NOZZLE | 1 | PC. |
| 74 | | | 213460-9 | O RING 35 | 1 | PC. |
| 75 | | | 911113-1 | PAN HEAD SCREW M4X10 | 1 | PC. |
| 76 | | | 265717-4 | SCREW M6X43 | 1 | PC. |
| 77 | | | 262001-8 | URETHANE RING 5 | 1 | PC. |
| 78 | | | 317176-9 | STOPPER ARM | 1 | PC. |
| 79 | | | 819215-6 | MAKITA LOGO LABEL | 1 | PC. |
| 80 | | | 344045-1 | STOPPER ARM PLATE | 1 | PC. |
| 81 | | | 421952-6 | CUSHION | 1 | PC. |
| 82 | | | 211031-6 | BALL BEARING 608LLB | 1 | PC. |
| 83 | | | 961054-1 | RETAINING RING S-14 | 1 | PC. |
| 84 | | | 226750-1 | SPIRAL BEVEL GEAR 35 | 1 | PC. |
| 85 | | | 262074-1 | RUBBER RING 20 | 1 | PC. |
| 86 | | | 267035-6 | FLAT WASHER 14 | 1 | PC. |
| 87 | | | 213675-8 | O RING 54 | 1 | PC. |
| 88 | | | 316473-0 | BEARING BOX | 1 | PC. |
| 89 | | | 254202-2 | KEY 4 | 1 | PC. |
| 90 | | | 322989-5 | SPINDLE | 1 | PC. |
| 91 | | | 211278-2 | BALL BEARING 6203DDW | 1 | PC. |
| 92 | | | 285828-9 | BEARING RETAINER 66 | 1 | PC. |
| 93 | | | 257022-3 | RING 16 | 1 | PC. |
| 94 | | | 911223-4 | PAN HEAD SCREW M5X16 | 2 | PC. |
| 95 | | | 224333-1 | FLANGE 53 | 1 | PC. |
| 96 | | | 257060-5 | RING 15.8 | 1 | PC. |
| 97 | | | 224333-1 | FLANGE 53 | 1 | PC. |
| 98 | | | 265405-3 | HEX. FRANGE HEAD BOLT M10X20 | 1 | PC. |
| 99 | | | 344473-0 | CENTER PLATE | 1 | PC. |
| 100 | | | 345603-6 | CENTER COVER | 1 | PC. |
| 101 | | | 265324-3 | HEX. FLANGE HEAD BOLT M8X12 | 1 | PC. |
| 102 | | | 265008-3 | + FLAT HEAD SCREW M5 | 1 | PC. |
| 103 | | | 231691-8 | TORSION SPRING 45 | 1 | PC. |
| 104 | | | 419074-4 | SAFETY COVER | 1 | PC. |
| 105 | | | 253977-0 | FLAT WASHER 6 | 1 | PC. |
| 106 | | | 911218-7 | PAN HEAD SCREW M5X14 | 1 | PC. |
| 107 | | | 421916-0 | GUARD | 1 | PC. |
| 108 | | | 345611-7 | GUARD PLATE | 1 | PC. |
| 109 | | | 188029-7 | BLADE CASE SET | 1 | PC. |
| | | INC. | 810106-4 | LASER BEAM CAUTION LABEL | 1 | PC. |
| | | INC. | 817874-0 | CAUTION LABEL | 1 | PC. |
| | | INC. | 816847-0 | OPERATIONAL INDICATION LABEL | 1 | PC. |
| | | INC. | 810124-2 | LASER BEAM CAUTION LABEL | 1 | PC. |
| | | INC. | | Item No. 79 | | |
| 110 | | | 266026-4 | TAPPING SCREW BIND CT 4X12 | 1 | PC. |
| 111 | | | 419078-6 | LEAD COVER HOLDER | 1 | PC. |
| 112 | | | 419077-8 | LEAD COVER | 1 | PC. |
| 113 | | | 418104-8 | LENS | 1 | PC. |
| 114 | 1 | | 801262-1 | * LASER LABEL | 1 | PC. |
| | 2 | | 804293-9 | * LASER LABEL | 1 | PC. |

| Item No. | Type | Sub | Part No. | Description (*See service changes on the bottom) | Qty | Unit |
|----------|------|------|----------|--|-----|------|
| 115 | | | 266306-8 | SHOULDER SCREW M5 | 1 | PC. |
| 116 | | | 266229-0 | H.S.SET SCREW(CUP POINT)M5X8 | 2 | PC. |
| 117 | 1 | | 418107-2 | * BLOCK C | 1 | PC. |
| | 2 | | 419379-2 | * BLOCK C | 1 | PC. |
| 118 | | | 266318-1 | H.S.SET SCREW(FLAT POINT)M4X6 | 1 | PC. |
| 119 | | | 231664-1 | TORSION SPRING 9 | 1 | PC. |
| 120 | 1 | | 911014-3 | * PAN HEAD SCREW M3X10 | 1 | PC. |
| | 2 | | 911003-8 | * PAN HEAD SCREW M3X6 | 1 | PC. |
| 121 | 1 | | 418106-4 | * BLOCK B | 1 | PC. |
| | 2 | | 419378-4 | * BLOCK B | 1 | PC. |
| 122 | 1 | | 911014-3 | * PAN HEAD SCREW M3X10 | 1 | PC. |
| | 2 | | 911003-8 | * PAN HEAD SCREW M3X6 | 1 | PC. |
| 123 | | | 231664-1 | TORSION SPRING 9 | 1 | PC. |
| 124 | | | 266318-1 | H.S.SET SCREW(FLAT POINT)M4X6 | 1 | PC. |
| 125 | 1 | | 638356-7 | * LASER CIRCUIT COMPLETE | 1 | PC. |
| | 2 | | 638442-4 | * LASER CIRCUIT COMPLETE | 1 | PC. |
| 126 | 1 | | 418108-0 | * TOP COVER | 1 | PC. |
| | 2 | | 419380-7 | * TOP COVER | 1 | PC. |
| 127 | | | 253807-5 | FLAT WASHER 5 | 1 | PC. |
| 128 | | | 265753-0 | THUMB SCREW M5X24 | 1 | PC. |
| 129 | | | 266042-6 | TAPPING SCREW BIND CT 4X20 | 2 | PC. |
| 130 | | | 331428-4 | PIPE 16-113 | 1 | PC. |
| 131 | | | 252105-4 | HEX. LOCK NUT M8-13 | 1 | PC. |
| 132 | | | 941201-0 | FLAT WASHER 8 | 1 | PC. |
| 133 | | | 154780-1 | ARM COMPLETE | 1 | PC. |
| | | INC. | 816787-2 | INDICATION LABEL | 1 | PC. |
| 134 | | | 687095-6 | STRAIN RELIEF | 1 | PC. |
| 135 | | | 266026-4 | TAPPING SCREW BIND CT 4X12 | 1 | PC. |
| 136 | | | 322988-7 | STOPPER PIN | 1 | PC. |
| 137 | | | 213011-8 | O RING 7 | 1 | PC. |
| 139 | | | 251961-9 | H.S.SET SCREW(FLAT POINT)M6X10 | 1 | PC. |
| 140 | | | 265371-4 | HEX. BOLT M8X30 | 2 | PC. |
| 141 | | | 265412-6 | HEX. BOLT M8X20 | 2 | PC. |
| 142 | | | 216003-6 | STEEL BALL 10 | 2 | PC. |
| 143 | | | 345418-1 | GUIDE PLATE | 1 | PC. |
| 144 | | | 231626-9 | TORSION SPRING 28 | 1 | PC. |
| 145 | | | 413067-3 | INDICATION PLATE | 2 | PC. |
| 146 | | | 911114-9 | PAN HEAD SCREW M4X10 | 2 | PC. |
| 147 | | | 233168-9 | COMPRESSION SPRING 5 | 2 | PC. |
| 148 | | | 266131-7 | H.S.SET SCREW(FLATPOINT)M12X12 | 2 | PC. |
| 149 | | | 151459-5 | ARM HOLDER COMPLETE | 1 | PC. |
| | | INC. | 816771A7 | BEVEL SCALE LABEL | 1 | PC. |
| 150 | | | 251662-9 | HEX. BOLT M10X100 | 1 | PC. |
| 151 | | | 911113-1 | PAN HEAD SCREW M4X10 | 1 | PC. |
| 152 | | | 416006-2 | LEVER 100 | 1 | PC. |
| 153 | | | 252144-4 | HEX. NUT M10-17 | 1 | PC. |
| 154 | | | 253024-7 | FLAT WASHER 10 | 1 | PC. |
| 155 | | | 231266-3 | COMPRESSION SPRING 5 | 1 | PC. |
| 156 | | | 152542-1 | SQUARE ROD COMPLETE | 1 | PC. |
| | | INC. | 263005-3 | RUBBER PIN 6 | 1 | PC. |
| 157 | | | 921356-7 | HEX. BOLT M6X35 | 2 | PC. |
| 158 | | | 153832-5 | TURN BASE COMPLETE | 1 | PC. |
| | | INC. | 211444-1 | LINEAR BALL BEARING 3064 | 1 | PC. |
| | | INC. | 219002-7 | BEARING 30 | 1 | PC. |
| | | INC. | 262048-2 | FELT RING 30 | 2 | PC. |
| | | INC. | 263005-3 | RUBBER PIN 6 | 1 | PC. |
| | | INC. | 343676-3 | CAP | 1 | PC. |
| | | INC. | 817283-3 | CAUTION LABEL | 2 | PC. |

| Item No. | Type | Sub | Part No. | Description (*See service changes on the bottom) | Qty | Unit |
|----------|------|------|----------|---|-----|------|
| 159 | | | 152540-5 | BEARING BOX B COMPLETE | 1 | PC. |
| | | INC. | 211444-1 | LINEAR BALL BEARING 3064 | 1 | PC. |
| | | INC. | 262048-2 | FELT RING 30 | 2 | PC. |
| | | INC. | 343676-3 | CAP | 2 | PC. |
| | | INC. | 316837-8 | BEARING BOX (B) | 1 | PC. |
| 160 | | | 922451-6 | HEX. SOCKET HEAD BOLT M8X30 | 2 | PC. |
| 161 | | | 253852-0 | FLAT WASHER 8 | 1 | PC. |
| 162 | | | 265442-7 | HEX. BOLT M8X40 | 1 | PC. |
| 163 | | | 419222-5 | KERF BOARD, BLUE | 2 | PC. |
| 164 | | | 266026-4 | TAPPING SCREW BIND CT 4X12 | 4 | PC. |
| 165 | | | 911108-4 | PAN HEAD SCREW M4X8 | 1 | PC. |
| 166 | | | 252014-7 | HEX. LOCK NUT M6-10 | 1 | PC. |
| 167 | | | 344463-3 | SUB FENCE PLATE | 1 | PC. |
| 168 | | | 153893-5 | SUB FENCE COMPLETE | 1 | PC. |
| | | INC. | 810858-7 | CAUTION LABEL | 1 | PC. |
| 169 | 1 | | 265488-3 | * HEX. BOLT M8X30 | 4 | PC. |
| | 2 | | 921451-3 | * HEX. BOLT M8X30 | 4 | PC. |
| 170 | | | 317757-9 | GUIDE FENCE | 1 | PC. |
| 171 | | | 912357-6 | COUNTERSUNK HEAD SCREW M6X35 | 1 | PC. |
| 172 | | | 253715-0 | FLAT WASHER 6 | 1 | PC. |
| 173 | | | 251887-5 | SCREW M6X10 | 1 | PC. |
| 174 | | | 266026-4 | TAPPING SCREW BIND CT 4X12 | 2 | PC. |
| 175 | | | 816326A8 | MITER SCALE PLATE | 1 | PC. |
| 176 | | | 266132-5 | SCREW M8X320 | 1 | PC. |
| 177 | | | 931402-8 | HEX. NUT M8 | 1 | PC. |
| 178 | | | 271314-6 | GRIP 40 | 1 | PC. |
| 179 | | | 941201-0 | FLAT WASHER 8 | 1 | PC. |
| 180 | | | 152541-3 | KNOB 48 COMPLETE | 1 | PC. |
| 181 | | | 331491-7 | PIPE 9-200 | 1 | PC. |
| 182 | | | 421563-7 | CAP 10 | 1 | PC. |
| 183 | | | 322924-3 | COIL SPRING | 1 | PC. |
| 184 | | | 322909-9 | LOCK PIN | 1 | PC. |
| 185 | | | 253804-1 | FLAT WASHER 6 | 1 | PC. |
| 186 | | | 231307-5 | COMPRESSION SPRING 6 | 1 | PC. |
| 187 | | | 961018-5 | STOP RING E-5 | 1 | PC. |
| 188 | | | 316899-6 | PIN HOLDER | 1 | PC. |
| 189 | | | 266034-5 | TAPPING SCREW CT 4X16 | 2 | PC. |
| 190 | | | 344411-2 | SLIDE STOPPER | 1 | PC. |
| 191 | | | 251267-5 | + PAN HEAD SCREW M6 | 1 | PC. |
| 192 | | | 256196-7 | PIN 5 | 1 | PC. |
| 193 | | | 331493-3 | TURN STOPPER | 1 | PC. |
| 194 | | | 344412-0 | STOPPER HOLDER | 1 | PC. |
| 195 | | | 266034-5 | TAPPING SCREW CT 4X16 | 1 | PC. |
| 196 | | | 266026-4 | TAPPING SCREW BIND CT 4X12 | 1 | PC. |
| 197 | | | 816128-2 | POINTER | 1 | PC. |
| 198 | | | 344477-2 | SLIDE PLATE | 2 | PC. |
| 199 | | | 266034-5 | TAPPING SCREW CT 4X16 | 1 | PC. |
| 200 | | | 232075-3 | LEAF SPRING | 1 | PC. |
| 201 | | | 251887-5 | SCREW M6X10 | 2 | PC. |
| 202 | | | 153837-5 | BASE COMPLETE | 1 | PC. |
| | | INC. | 817838-4 | CAUTION LABEL | 1 | PC. |
| 203 | | | 286212-1 | CAP 20 | 4 | PC. |
| 204 | | | 941202-8 | FLAT WASHER 8 | 4 | PC. |
| 205 | | | 233471-8 | COMPRESSION SPRING 6 | 1 | PC. |
| 206 | | | 322316-6 | LINK SHAFT (F/BLADE CASE COM.) (Special Order Item) | 1 | PC. |
| 207 | | | 322912-0 | CENTER SHAFT (F/ARM HOLDER COM.) (Special Order Item) | 1 | PC. |

| Item No. | Type | Sub | Part No. | Description (*See service changes on the bottom) | Qty | Unit |
|---------------------------|------|------|---|--|-----|------|
| <u>ACCESSORIES</u> | | | - See catalogue or visit www.makita.ca for other optional accessories - | | | |
| A01 | 1 | | 122523-9 | DUST BAG ASS'Y | 1 | PC. |
| | 1 | INC. | 410602-8 | FASTENER | 1 | PC. |
| | 2 | | 122852-0 | DUST BAG ASS'Y | 1 | PC. |
| | 2 | INC. | 410602-8 | FASTENER | 1 | PC. |
| A02 | | | 122540-9 | WISE ASS'Y | 1 | PC. |
| | | INC. | 251370-2 | + PAN HEAD SCREW K5 | 1 | PC. |
| | | INC. | 251887-5 | SCREW M6X10 | 1 | PC. |
| | | INC. | 253804-1 | FLAT WASHER 6 | 1 | PC. |
| | | INC. | 271303-1 | KNOB 40 | 1 | PC. |
| | | INC. | 316938-2 | WISE ARM | 1 | PC. |
| | | INC. | 322983-7 | WISE ROD | 1 | PC. |
| | | INC. | 343651-9 | WISE PLATE | 1 | PC. |
| A03 | | | 153899-3 | SUB-FENCE R COMPLETE | 1 | PC. |
| | | INC. | 810877-3 | CAUTION LABEL | 1 | PC. |
| A04 | | | 411478-6 | SWITCH BUTTON | 2 | PC. |
| A05 | | | 762001-3 | TRIANGULAR RULE | 1 | PC. |
| A06 | | | 783208-8 | HEX. WRENCH 2.5 | 1 | PC. |
| A07 | | | 251887-5 | SCREW M6X10 F/HOLDER 255 | 2 | PC. |
| A08 | | | 322932-4 | HOLDER 255 | 2 | PC. |
| A09 | | | 721536-3 | 12" C.T.SAW BLADE 70T - BULK | 1 | PC. |
| A10 | | | 782212-4 | SOCKET WRENCH 13 | 1 | PC. |
| A11 | | | 194943-7 | SLIDE MITRE SAW STAND (OLD# 194515-8 - N/L/A) | 1 | PC. |
| | | | | - See Parts breakdown 194943-7 | | |
| A12 | | | 193051-1 | KERF BLOCK SET | 1 | PC. |
| A13 | | | 194175-6 | DUST BOX SET - See Parts breakdown 194175-6 | 1 | PC. |

SERVICE CHANGES

1. Changes on Laser Parts

| Item No. | Description | Type 1 | Type 2 |
|----------|--------------------|----------|----------|
| 114 | Laser Label | 801262-1 | 804293-9 |
| 117 | Block C | 418107-2 | 419379-2 |
| 120, 122 | P.H.Screw | 911014-3 | 911003-8 |
| 121 | Block B | 418106-4 | 419378-4 |
| 125 | Leser Circuit Com. | 638356-7 | 638442-4 |
| 126 | Top Cover | 418108-0 | 419380-7 |
| 205 | Compression spring | ----- | 233471-8 |

Above parts are completely interchangeable as a set.

Fig.1

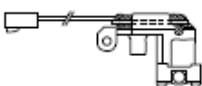

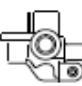



| | Item No.125 | Item No. 121 | | Item No. 117 | P.H.Screw M3 for Block B |
|-------|---|---|--|---|---|
| Type1 |  |  | |  | With a wave washer and a large flat washer. The screw length 10mm |
| Type2 |  |  | |  | With a wave washer and a small flat washer. The screw length 6mm |

Fig.2

Item No. 126

A threaded hole is added



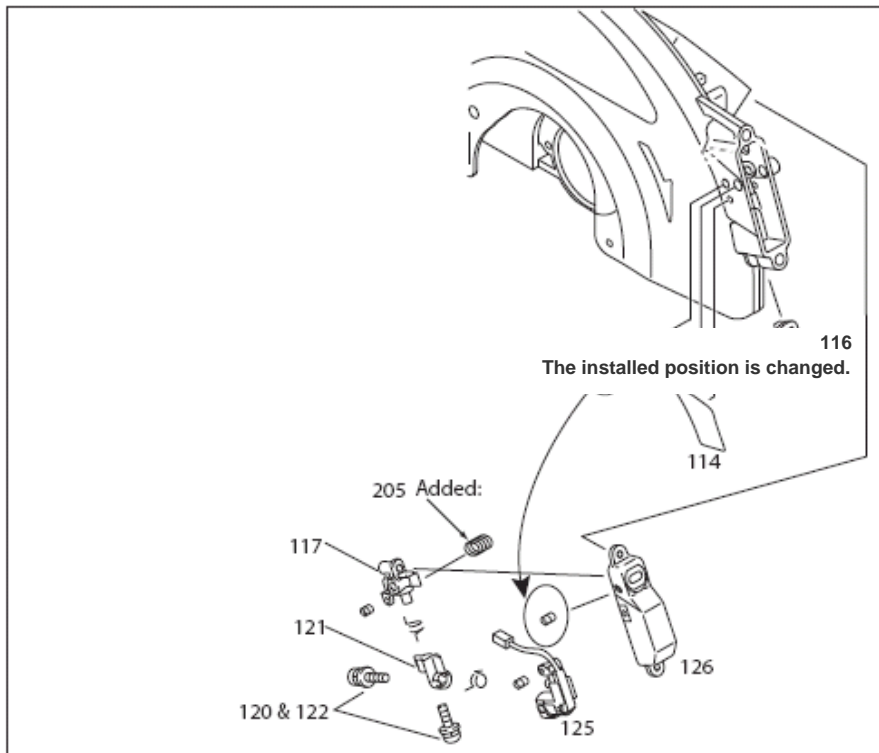
Fig.3

Item No. 114

A hole is disappeared



Fig.4



SERVICE CHANGES

2. Changes on Hex. Bolt and Addition of Flat washer

| Item No. | Description | Type 1 | Type 2 |
|----------|-----------------|----------|----------|
| 169 | HEX. BOLT M8X30 | 265488-3 | 921451-3 |
| 204 | Flat washer | ----- | 941202-8 |

Above parts are completely interchangeable as a set.

