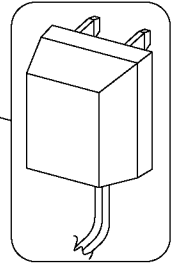
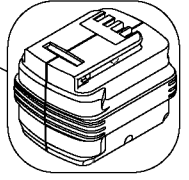


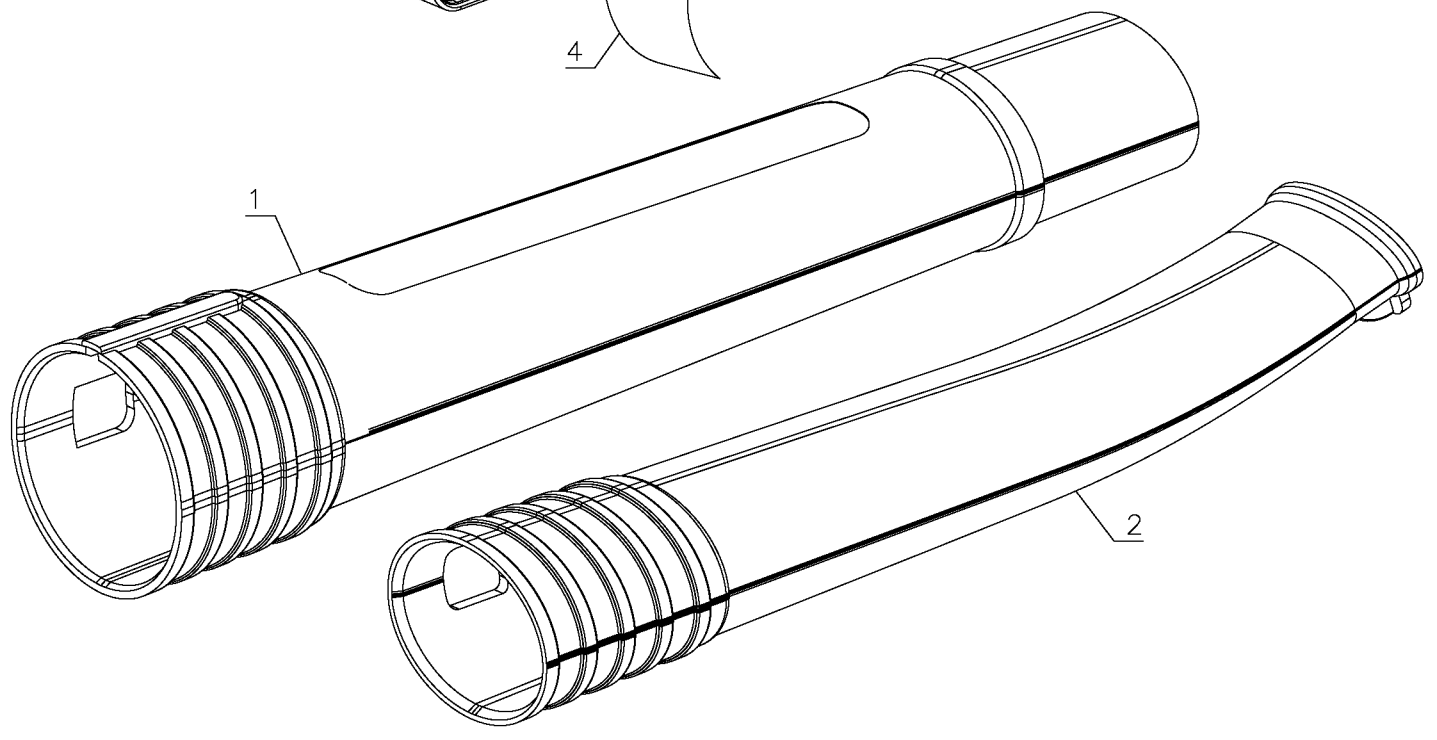
871



866



DATE CODE



Parts List for LSW20B Type 1

| Item Number | Part Number | Description | Qty Required |
|-------------|-------------|--------------|--------------|
| 1 | 90571365N | TUBE, UPPER | 1 |
| 2 | 90571366 | BLOWER TUBE | 1 |
| 3 | 90571277-02 | BLOWER ASSY | 1 |
| 4 | 90574537 | NAME PLATE | 1 |
| 866 | 90640802 | BATTERY PACK | 1 |
| 871 | 90640340 | CHARGER | 1 |