

# LT 100/112/120



**1.1994**

**Spare parts**

**Ersatzteile**

**Pièces détachées**

**Reserve onderdelen**

**Repuestos**

**Reservdelar**

**Replaces**

**Ersetzt**

**Remplace**

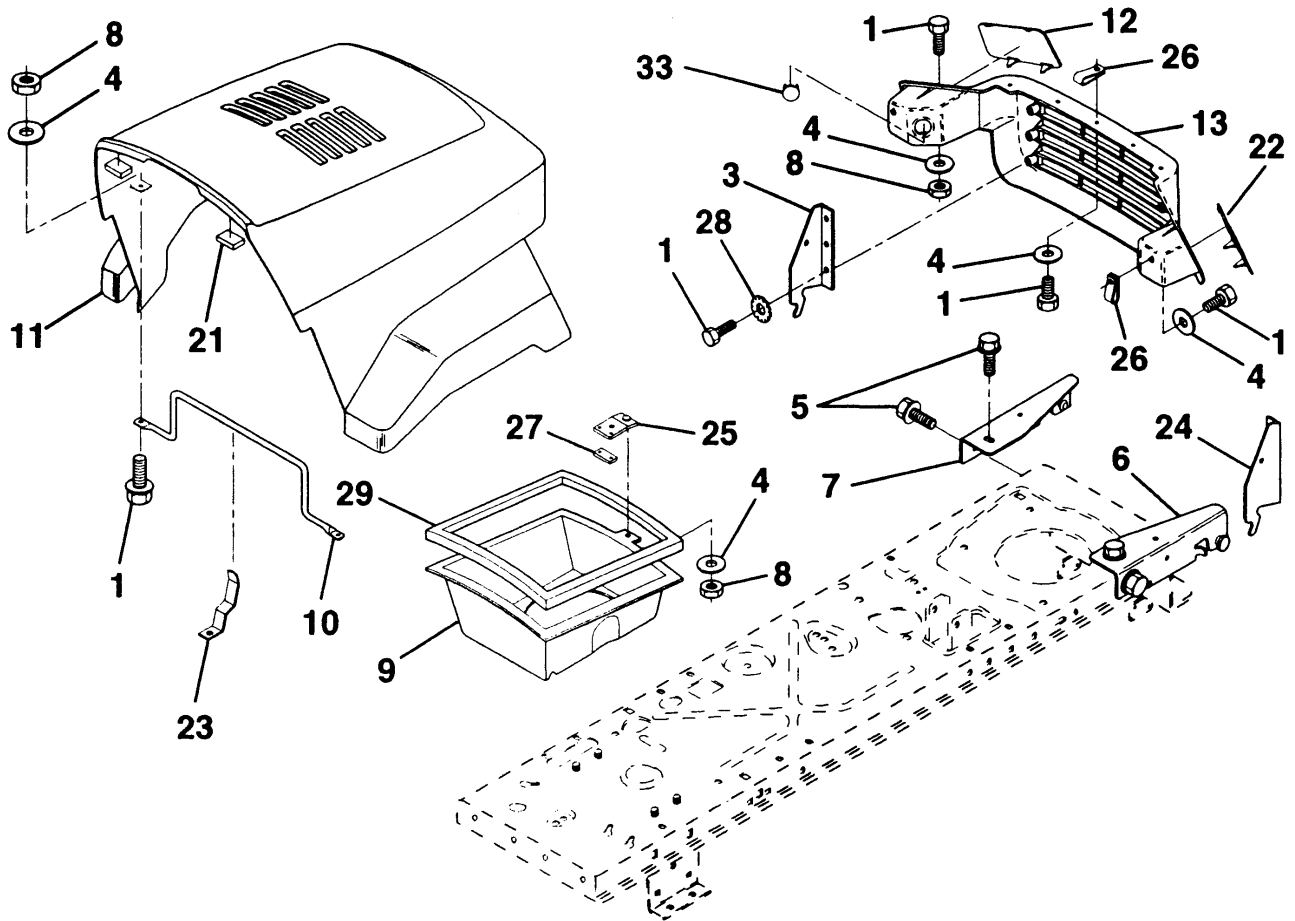
**Vervangt**

**Reemplaza**

**Ersätter**

**106 23 08-63**

**A**



**KEY PART  
NO. NO.**

**DESCRIPTION**

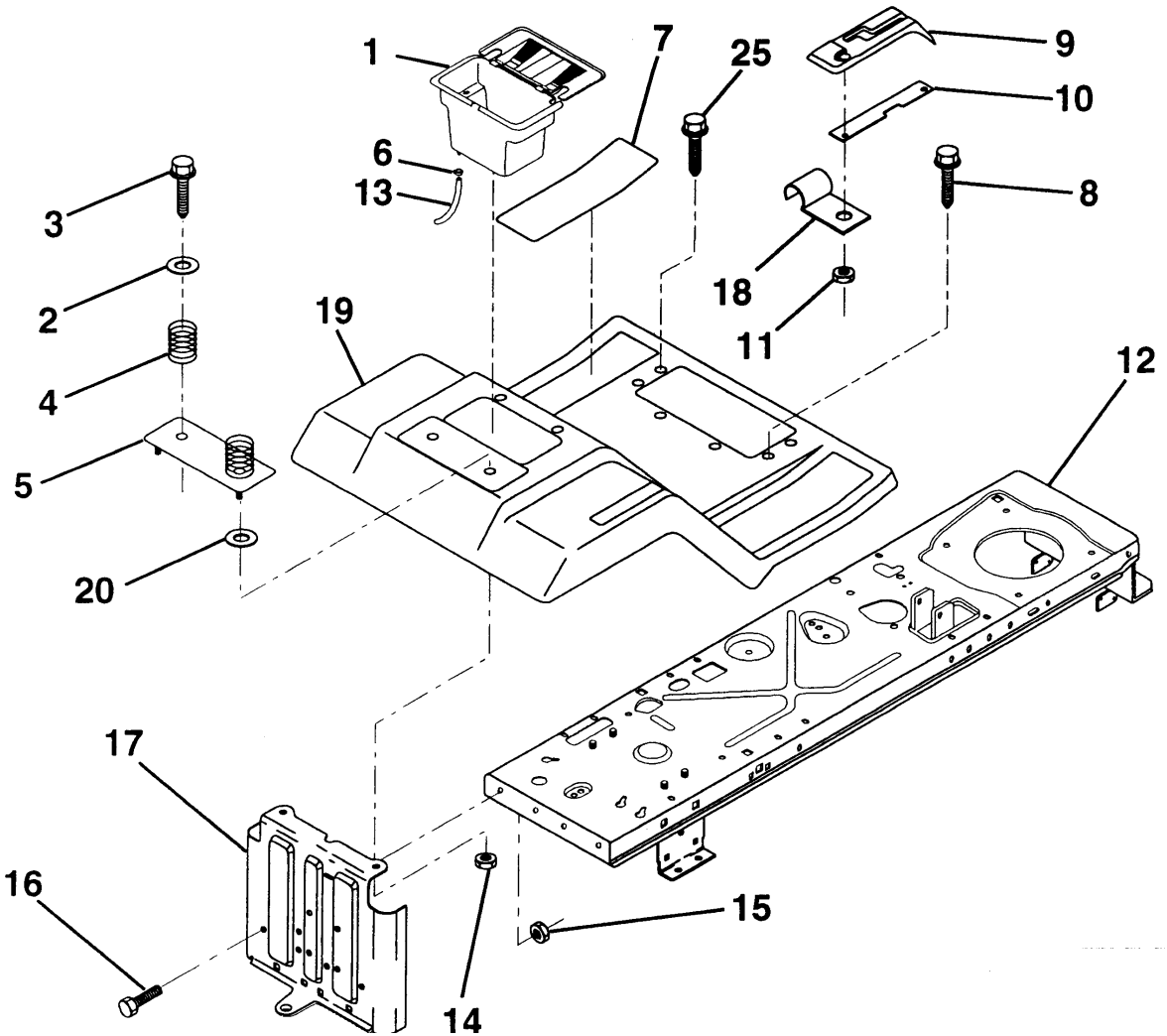
1	874 78 04-10	Bolt Fin Hex 1/4-20 x 5/8
3	532 12 84-45	Bracket Pivot Hood LH
4	819 09 10-16	Washer, Flat 1/4
5	817 49 05-12	Screw Thdrol 5/16-28 x 3/4
6	532 14 00-51	Bracket Asm. Pivot Hood RH
7	532 14 00-50	Bracket Asm. Pivot Hood LH
8	873 22 04-00	Nut Fin Hex 1/4-20
9	532 12 38-40	Duct Air Hood LT112/120
10	532 13 08-50	Brace Hood
11	532 14 01-42	Hood
12	532 13 09-86	Lens LH

**KEY PART  
NO. NO.**

**DESCRIPTION**

13	532 13 09-84	Grille
21	532 12 69-38	Bumper Hood
22	532 13 09-85	Lens RH
23	532 13 99-69	Latch Hood
24	532 12 84-46	Bracket Pivot Hood RH
25	532 13 10-37	Clip Asm. Duct Air LT112t120
26	532 05 29-21	Clip Tinnerman
27	532 13 10-28	Clip Tinnerman LT112/120
28	811 05 04-00	Washer Lock Ext. Tooth
29	532 12 05-37	Strip Foam LT112/120
33	532 13 13-19	Plug Socket Light LT100/112

**HARDWARE SHOWN LARGER FOR EASIER IDENTIFICATION**

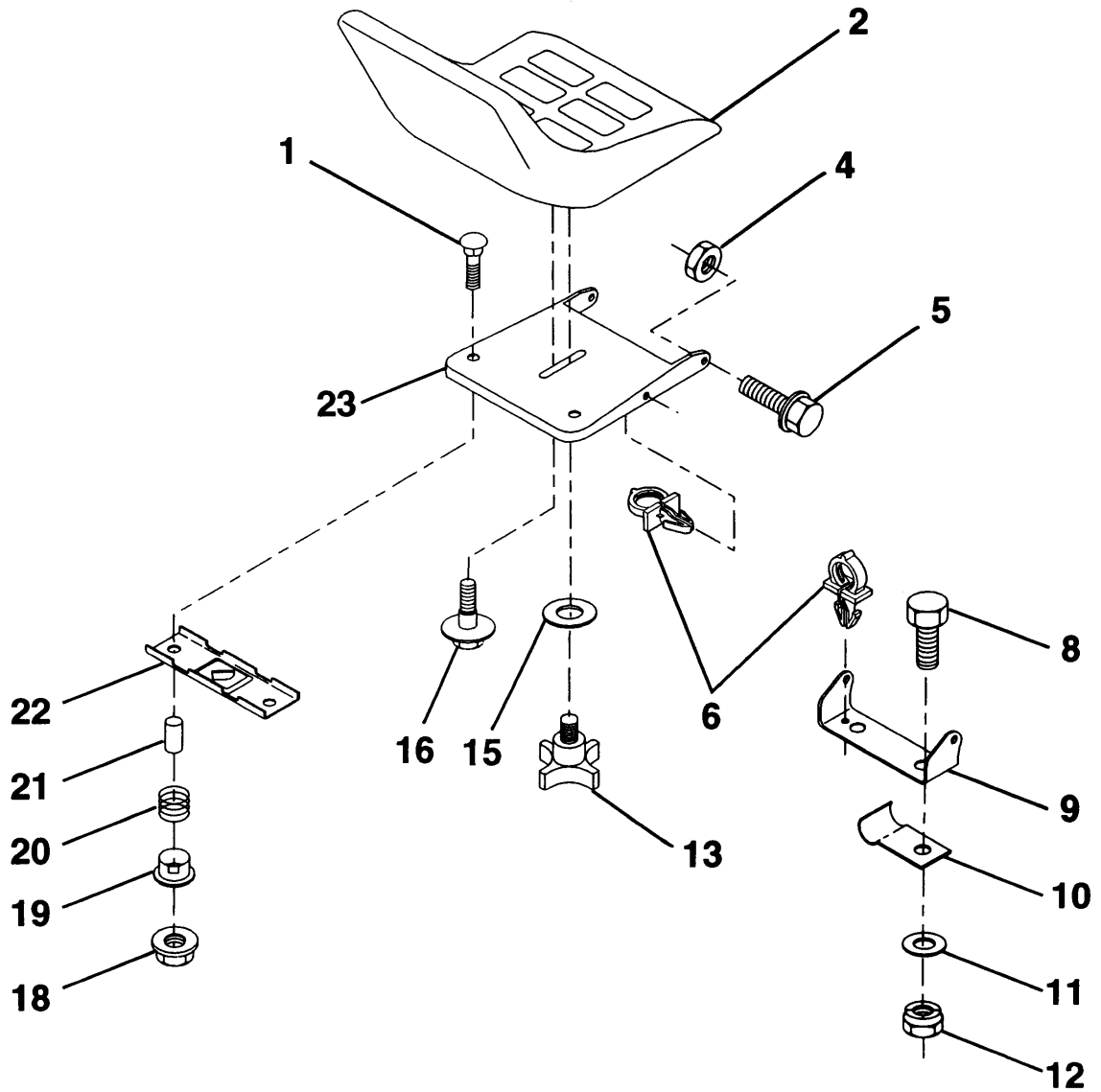


KEY NO.	PART NO.	DESCRIPTION
1	532 12 99-65	Case, Battery
2	819 13 20-12	Washer 13/32 x 1-1/4 x 12 Ga.
3	817 49 06-12	Screw, Hex Wsh. Thrdrol 3/8-16x314
4	532 12 41-81	Spring, Compression, Seat
5	532 12 51-42	Plate, Asm. Battery
6	532 10 95-96	Clamp, Hose
7	532 12 41-44	Pad, Footrest
8	817 49 05-12	Screw Thdrol 5/16-18 x 3/4
9	532 12 69-96	Console, Shift Control
10	532 13 97-83	Bar, Shift Lock

KEY NO.	PART NO.	DESCRIPTION
11	532 12 43-46	Nut, Self-Threading, Wsher Hd 3/16
12	532 14 07-84	Assembly, Frame
13	532 10 92-38	Tube, Battery Drain
14	873 51 04-00	Nut, Keps 1/4-20 UNC
15	873 68 05-00	Nut, Crownlock 5/16-18
16	874 76 05-12	Bolt, Hex Hd. 5/16-18 UNC x 3/4
17	532 12 78-80	Drawbar
18	532 12 64-70	Clip, Insulated
19	532 12 51-41	Fender/Footrest
20	819 09 14-13	Washer 9/32 x 7/8 x 13 Ga.
25	817 49 05-16	Scr-Hx Wsh Thd Rol 5/16-18 x 1

**HARDWARE SHOWN LARGER FOR EASIER IDENTIFICATION**

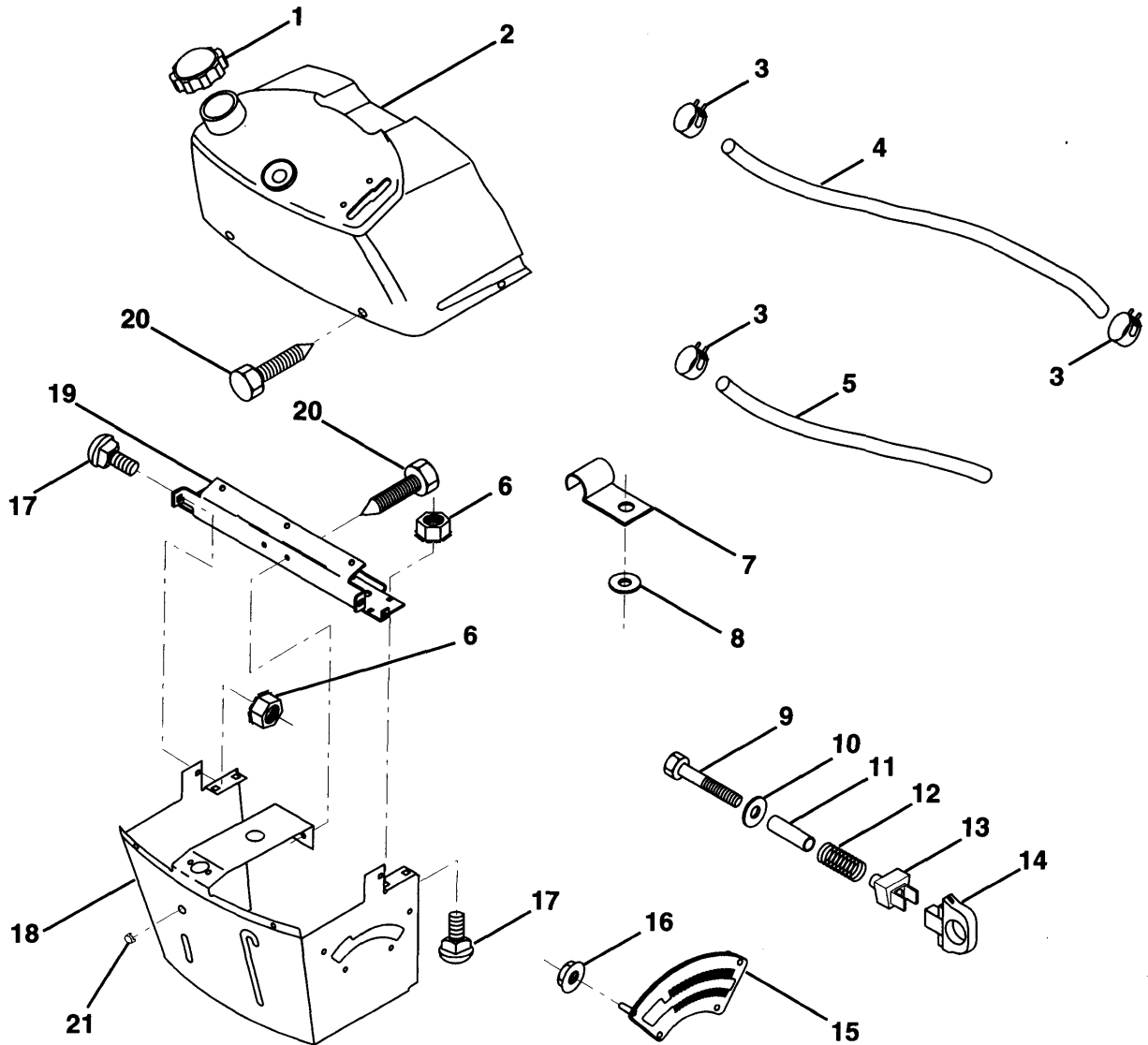
**C**



KEY NO.	PART NO.	DESCRIPTION
1	872 05 04-11	Bolt, Carriage 1/4-20 x 1-3/8
2	532 12 73-98	Seat
4	873 68 05-00	Nut, Crownlock 5/16-18
5	532 10 55-29	Bolt, Shoulder 5/16-18 UNC
6	532 14 04-07	Clip, Insulated
8	874 76 06-12	Bolt, Fin Hex 3/8-16 UNC x 3/4
9	532 14 05-51	Bracket, Pivot Seat
10	532 12 64-71	Clips, insulated
11	819 13 12-10	Washer 12/3 2 x 2 x 10 Ga.

KEY NO.	PART NO.	DESCRIPTION
12	873 68 06-00	Nut, Crownlock 3/8-16 UNC
13	532 12 00-68	Knob, Seat
15	819 17 19-12	Washer, 17/32 x 1-3/16 x 12 Ga.
16	532 12 70-18	Bolt, Shoulder
18	532 12 39-76	Nut, Hex Large Flange Lock
19	532 12 12-48	Bushing, Snap
20	532 12 12-50	Spring, Compression
21	532 13 43-00	Spacer, Split 28 Id. x .96 Lg.
22	532 12 12-46	Bracket, Switch, Mounting
23	532 14 05-52	Pan, Seat

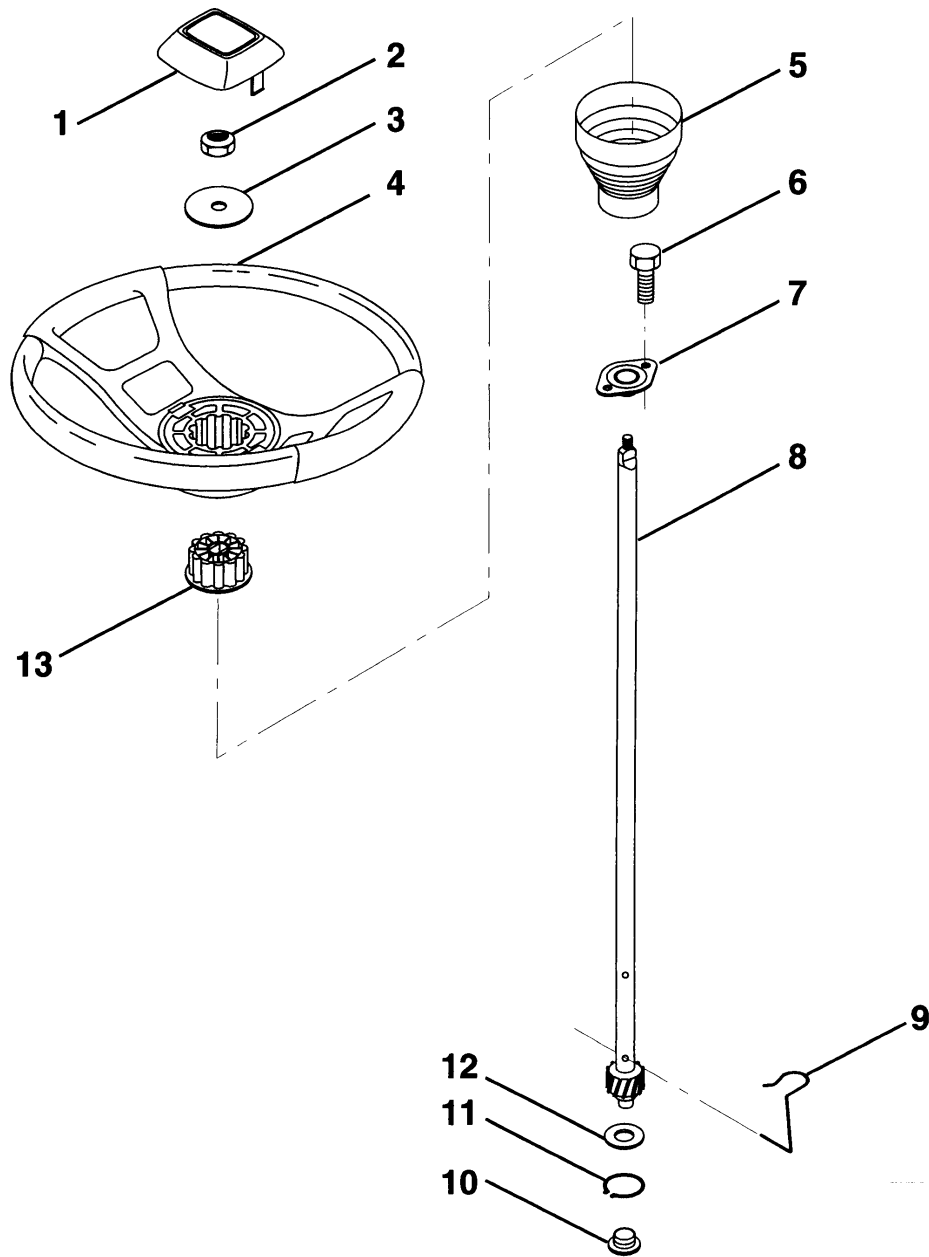
**HARDWARE SHOWN LARGER FOR EASIER IDENTIFICATION**



KEY NO.	PART NO.	DESCRIPTION
1	532 13 27-35	Cap, Fuel
2	532 13 83-94	Assembly, Dash & Fuel Tank
3	532 12 34-87	Clamp Hose
4	532 00 85-44	Line, Fuel
5	532 00 85-48	Line, Fuel
6	873 51 04-00	Nut, Hex, Keps 1/4-20
7	532 12 49-96	Clip, Fuel Line
8	819 09 12-16	Washer 9/32 x 3/4 x 16 Ga.
9	874 76 04-28	Bolt, Hex, Fin 1/4-20 x 1-3/4
10	819 09 14-13	Washer 11/32 x 11/16 x 16 Ga.
11	532 12 12-49	Spacer, Split

KEY NO.	PART NO.	DESCRIPTION
12	532 00 37-20	Spring
13	532 12 64-50	Clip, Height Adjustment
14	532 12 61-15	Knob, Height Stop
15	532 12 20-23	Adjustment, Quadrant Height
16	532 12 43-46	Nut, Self-Threading 3/16-18
17	872 11 04-04	Bolt, Carriage 1/4-20 x 1/2 Gr. 5
18	532 13 07-45	Support Assembly, Dash
19	532 13 47-44	Brace, Cross
20	818 00 04-08	Screw, Self-Tapping 1/4-20 x 1/2
21	532 13 40-14	Plug Dome Black

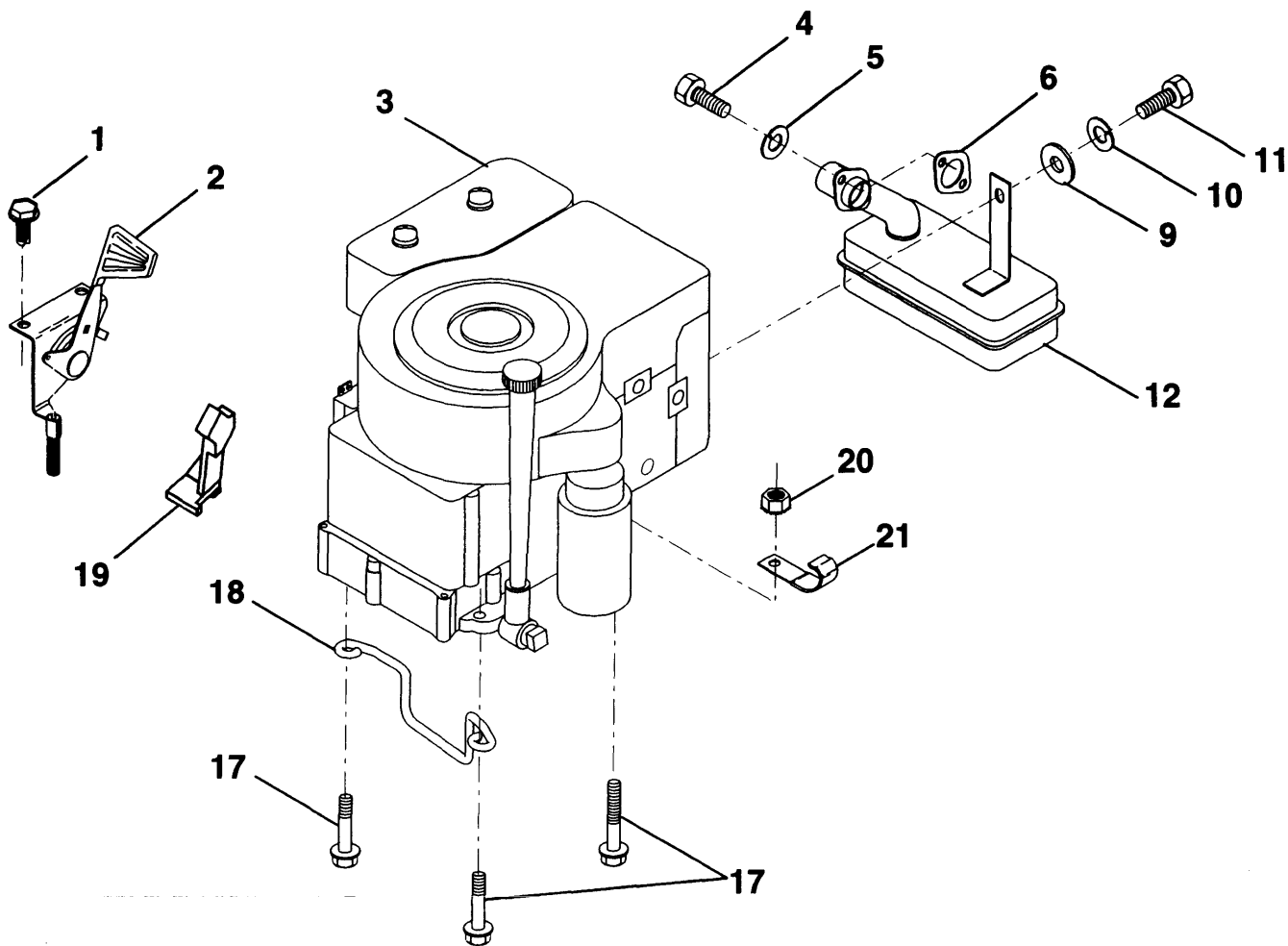
**HARDWARE SHOWN LARGER FOR EASIER IDENTIFICATION**



KEY NO.	PART NO.	DESCRIPTION
1	532 12 44-16	Insert, Wheel, Steering
2	532 12 47-01	Nut, Lock 3/8-24 UNF
3	819 13 38-08	Washer 12/32x2-3/8x8Ga.
4	532 12 44-15	Wheel, Steering
5	532 12 73-96	Sleeve, Steering
6	817 43 10-08	Screw, Hex #10-16 x 1/2 TY-B
7	532 10 28-03	Bushing, Steering

KEY NO.	PART NO.	DESCRIPTION
8	532 12 36-51	Shaft, Steering
9	532 12 42-10	Clip, Steering
10	532 12 34-38	Bushing, Lower, Steering
11	812 00 00-45	Ring, Retaining
12	819 21 16-16	Washer 21/32 x 1 x 16 Ga.
13	532 10 48-20	Adaptor, Wheel, Steering

HARDWARE SHOWN LARGER FOR EASIER IDENTIFICATION

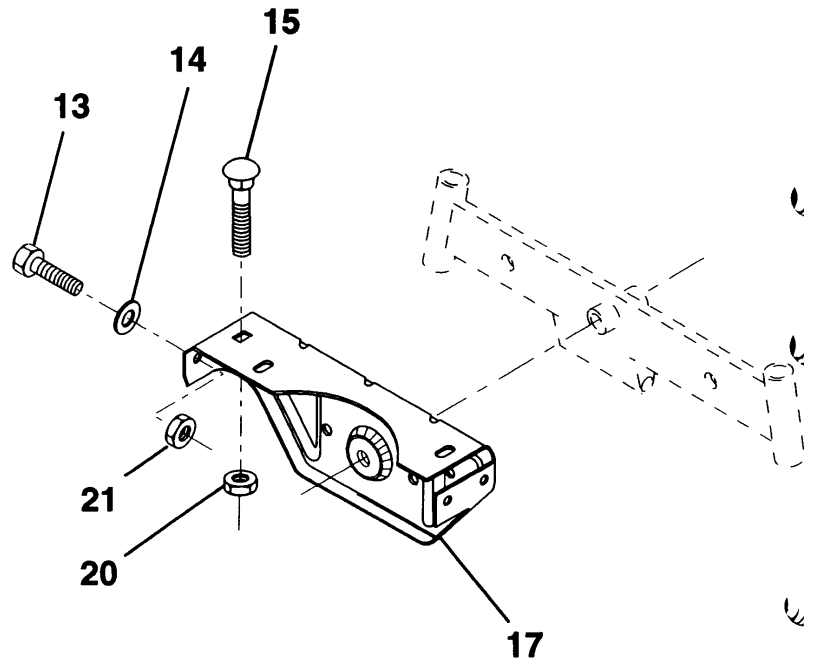
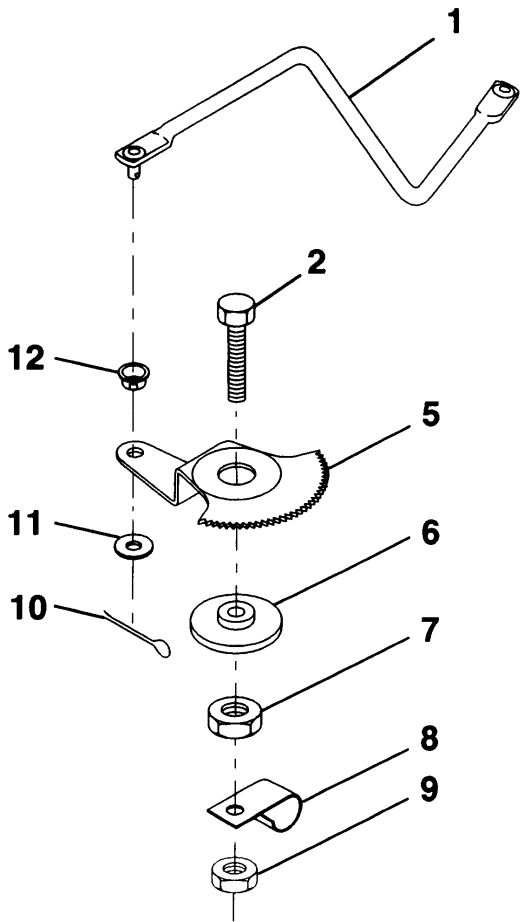


KEY NO.	PART NO.	DESCRIPTION
1	874 78 04-08	Screw, Hex Thd. Cut 1/4-20 x 1/2
2	532 13 30-25	Control, Throttle
3	-----	Engine, Briggs and Stratton Model No. 286707
4	874 76 05-14	Screw, Hex, Cap 5/16-18x3/4
5	810 04 05-00	Washer, Lock Heavy Helical Spring 5/16
6	532 12 55-93	Gasket, Exhaust
9	819 10 12-16	Washer 5/16 x 3/4 x 16
10	810 04 04-00	Washer, Lock Heavy Helical Spring

KEY NO.	PART NO.	DESCRIPTION
11	874 76 04-12	Bolt, Hex Fin. 1/4-20 UNC x 3/4
12	532 13 74-37	Muffler
17	817 49 06-24	Screw, Hex Washer Head, Thdrol. 3/8-16 x 1 -1/2
18	532 12 66-36	Keeper, Ground Drive Belt
20	873 22 06-00	Nut Keps Hex 3/8-16
21	532 12 49-96	Clip Line Fuel

**HARDWARE SHOWN LARGER FOR EASIER IDENTIFICATION**

G

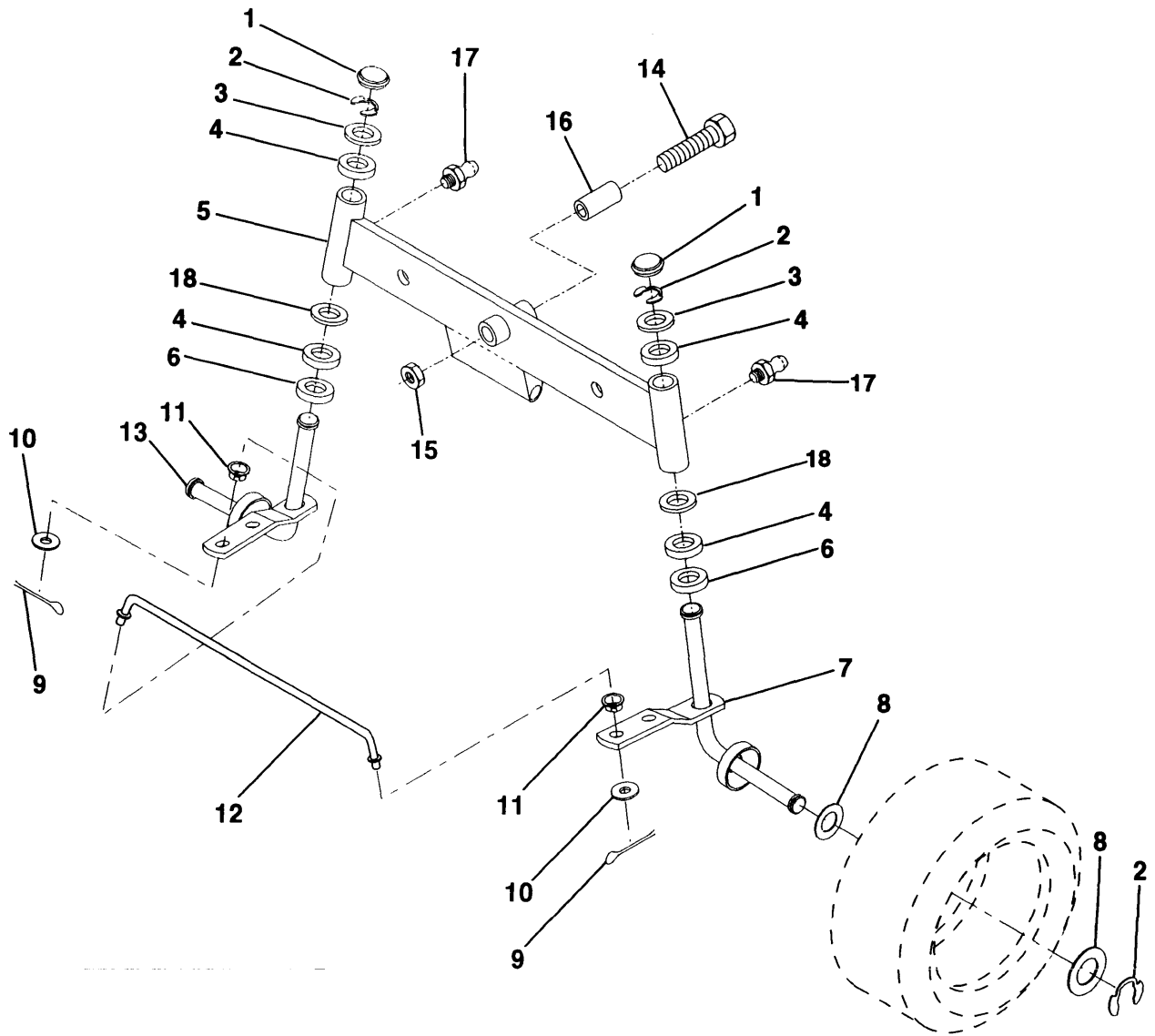


KEY NO.	PART NO.	DESCRIPTION
1	532 13 25-66	Link, Drag
2	874 78 08-28	Bolt, Fin Hex 1/2-13 x 1-3/4
5	532 12 19-26	Gear, Sector
6	532 12 19-27	Bushing
7	873 03 08-00	Nut, Heavy Hex Top Lock 1/2-13 UNC
8	532 12 64-72	Clip, Insulated
9	873 68 08-00	Nut, Crownlock 3/8-16
10	876 02 04-12	Pin, Cotter 1/8 x 3/4

KEY NO.	PART NO.	DESCRIPTION
11	819 13 13-16	Washer, 13/32 x 13/16 x 16 Ga.
12	532 12 68-47	Bushing
13	874 76 05-16	Bolt, Hex Hd. 5/16-18 UNC x 1
14	819 11 14-16	Washer 11/32x7/8x16Ga.
15	872 11 06-06	Bolt, Carriage 3/8-16 UNC x 3/4
17	532 13 70-96	Support, Front Axle
20	873 80 06-00	Nut, Crownlock 3/8-16 UNC
21	873 68 05-00	Nut, Crownlock 5/16-18

**HARDWARE SHOWN LARGER FOR EASIER IDENTIFICATION**



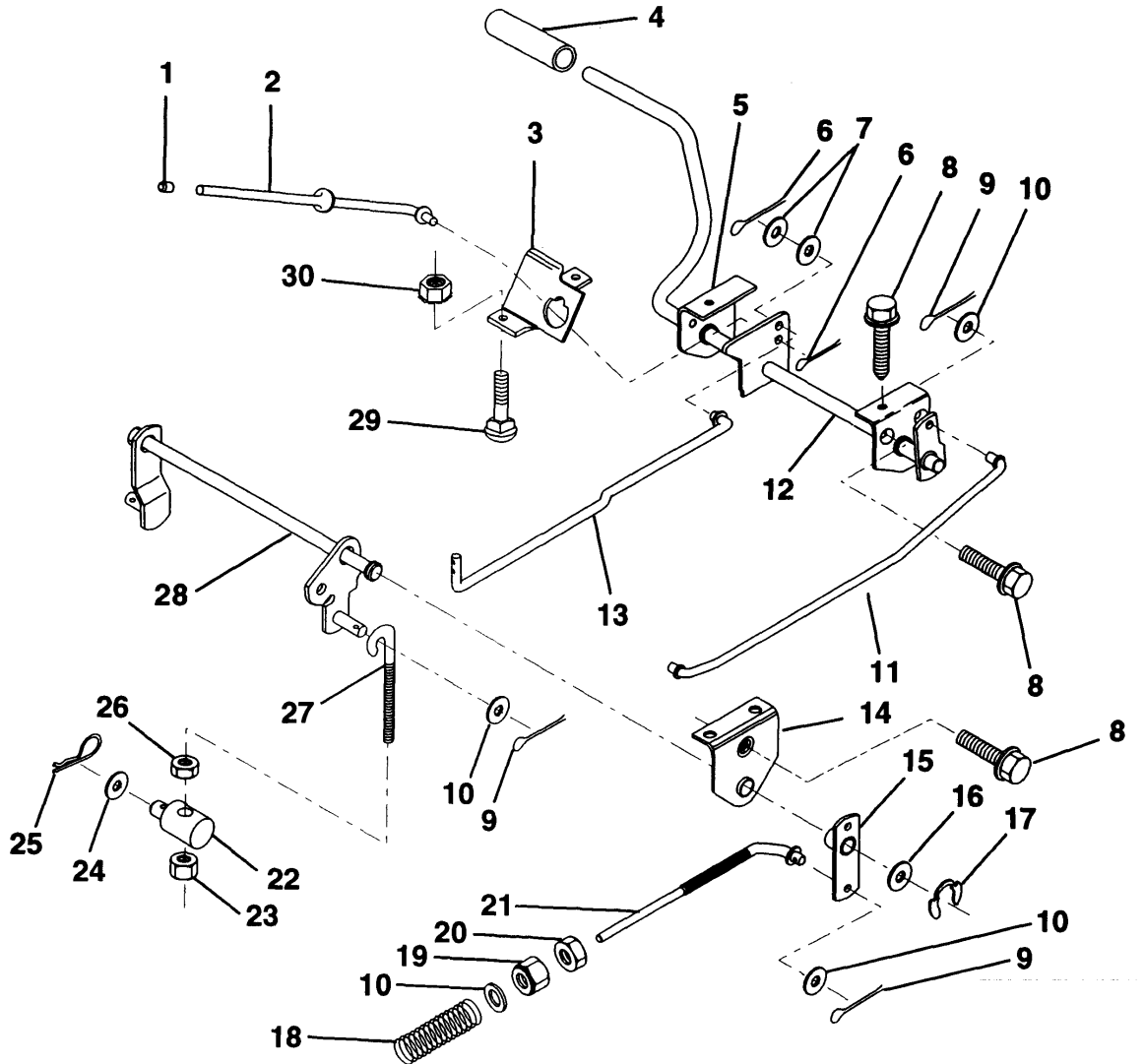


KEY NO.	PART NO.	DESCRIPTION
1	532 12 12-32	Cap, Spindle
2	812 00 00-29	Ring Clip
3	532 12 17-48	washer 25/32 x1-5/8 x16 Ga.
4	532 12 49-37	Bearing Col Strg.
5	532 14 02-12	Axle Front
6	532 12 49-31	Bearing, Thrust
7	532 13 70-62	Spindle, R.H. Asm.
8	532 12 17-49	Washer 25/32 x 1-1/4 x 16 Ga.
9	876 02 04-12	Pin, Cotter 1/8 x 3/4

KEY NO.	PART NO.	DESCRIPTION
10	819 13 13-16	Washer 13/32x13/16x 16Ga.
11	532 12 68-47	Bushing
12	532 13 04-65	Rod, Tie
13	532 13 70-61	Spindle, L.H. Asm.
14	874 01 10-56	Bolt Hex 5/8-11 x 3-1/2
15	873 90 10-00	Locknut Flange 5/8-11
16	532 14 02-47	Spacer Bearing
17	532 12 48-36	Fitting Grease
18	819 27 20-16	Washer 27/32 x 1-1/4 x 16 Ga.

**HARDWARE SHOWN LARGER FOR EASIER IDENTIFICATION**

# J



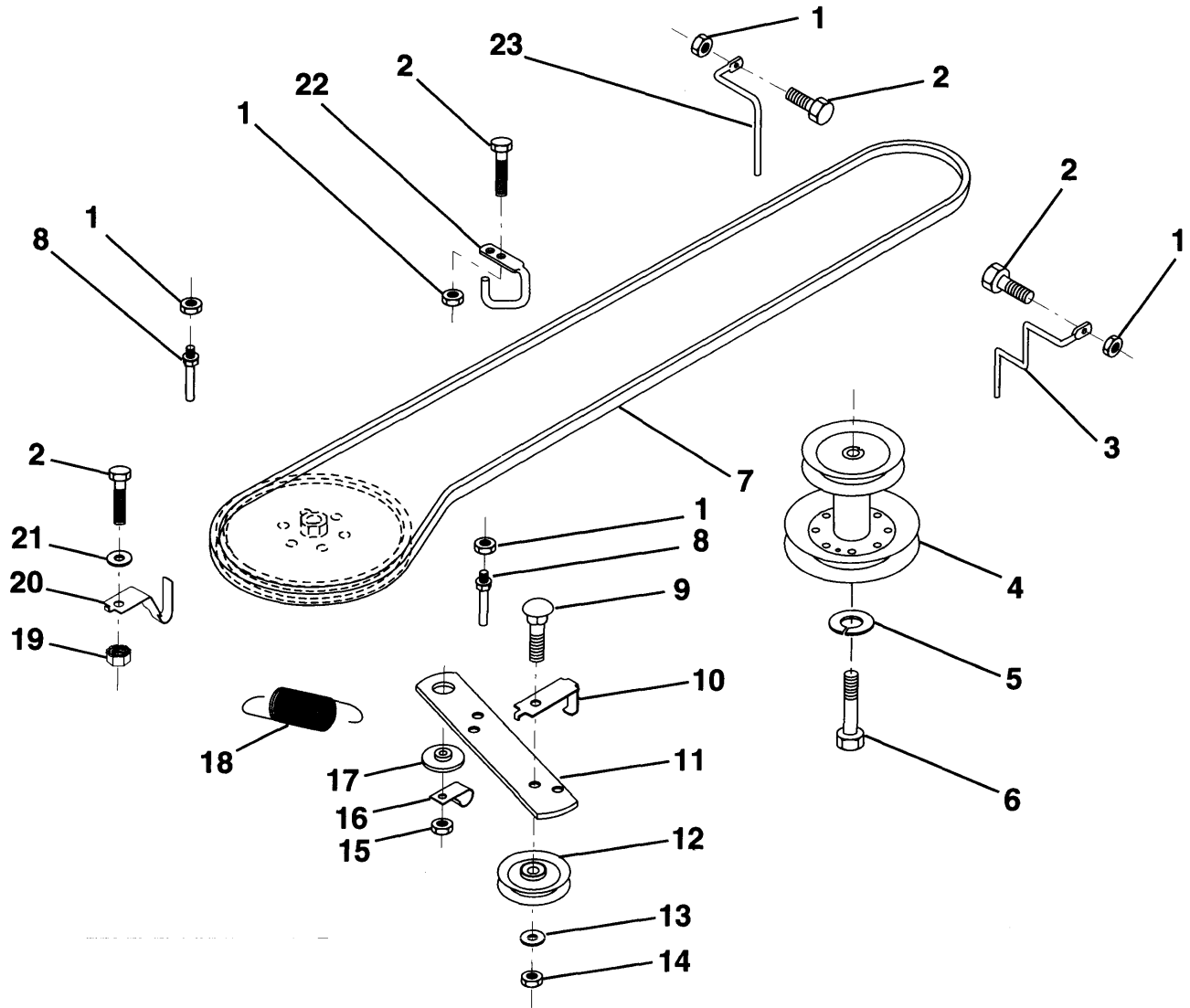
**KEY PART  
NO. NO.**

KEY PART NO.	PART NO.	DESCRIPTION
1	532 07 16-73	Cap, Plunger
2	532 12 34-36	Rod, Parking Brake
3	532 12 34-37	Bracket, Parking Brake
4	532 00 81-56	Cover, Pedal
5	532 12 25-04	Bracket, Clutch/Brake Pedal, L.H.
6	876 02 03-12	Pin, Cotter 3132x314
7	819 13 10-16	Washer 13/32x 5/8x16Ga.
8	817 49 05-08	Screw, Hex, Thd. Roll. 5/16-18x112
9	876 02 04-12	Pin, Cotter 1/8 x 3/4
10	819 13 13-16	Washer 13/32 x 13/16 x 16 Ga.
11	532 12 35-43	Rod, Brake Front
12	532 13 99-33	Assembly, Clutch/Brake Pedal
13	532 12 33-94	Rod, Clutch
14	532 12 19-78	Bracket, Lift, Shaft
15	532 12 36-41	Assembly, Brake, Pivot, Arm

**KEY PART  
NO. NO.**

KEY PART NO.	PART NO.	DESCRIPTION
16	819 25 18-16	Washer 25/32 x 1-1/8 x 16 Ga.
17	812 00 00-34	Ring, Klip
18	532 10 68-88	Spring, Brake Rod
19	873 35 06-00	Nut, Hex, Jam 3/8-16 UNC
20	873 80 06-00	Locknut, Hex w/Washer Insert 3/8-16 UNC
21	532 13 14-60	Rod, Rear Brake
22	532 12 73-78	Trunnion, Lift
23	873 68 06-00	Nut, Crownlock 3/8-16 UNC
24	819 13 20-12	Washer 13/32 x 1-1/4 x 12 Ga.
25	532 00 49-21	Spring, Retainer
26	873 93 06-00	Nut, Centerlock 318-16 UNC
27	532 12 73-69	Link, Threaded
28	532 12 73-58	Assembly, Rear Mower Lift
29	872 11 05-06	Bolt, Carriage 5/16-18 UNC x 3/4
30	873 51 05-00	Nut, Keps 5/16-16 UNC

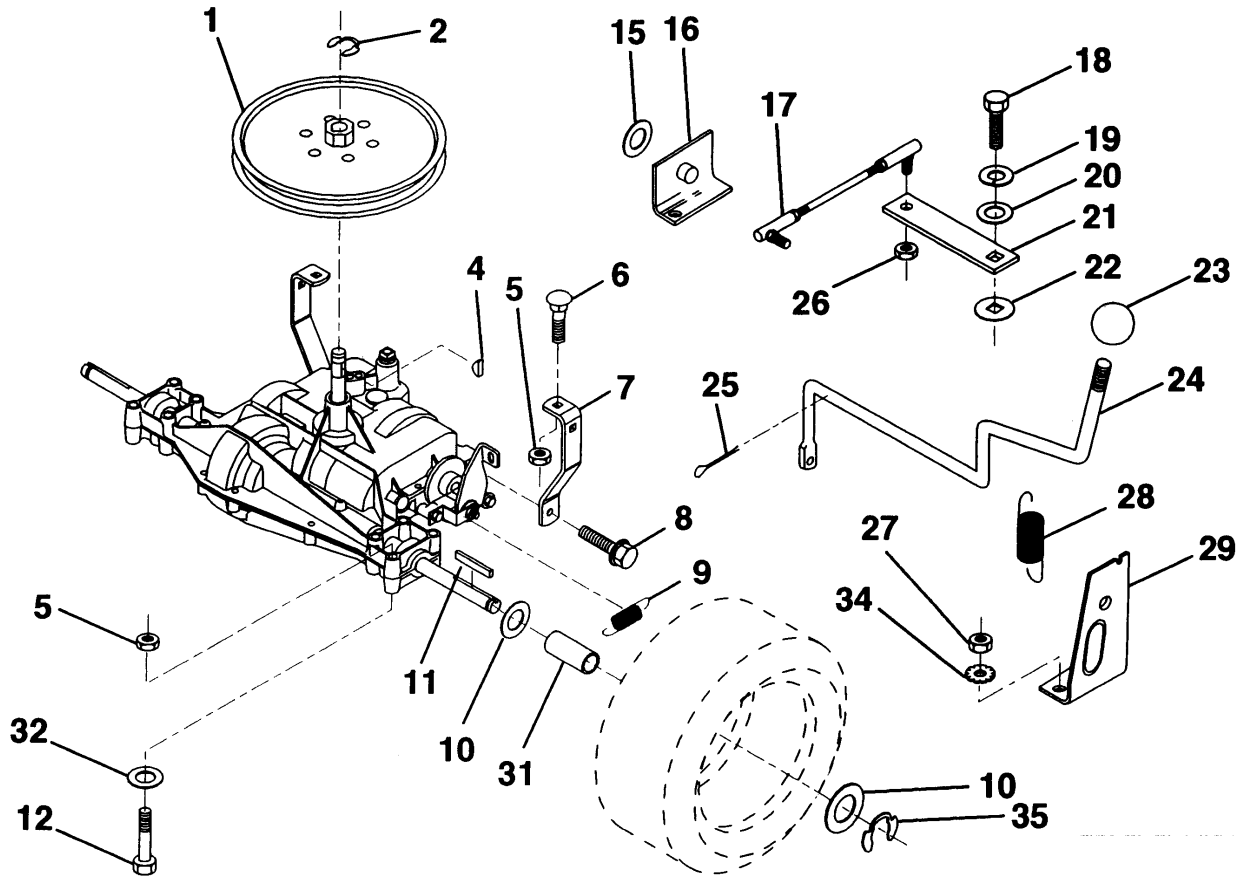
**HARDWARE SHOWN LARGER FOR EASIER IDENTIFICATION**



KEY NO.	PART NO.	DESCRIPTION
1	873 68 05-00	Nut, Crownlock 5/16-18
2	874 76 05-12	Bolt, Hex Hd 5/16-18 UNC x 3/4
3	532 13 12-05	Keeper, Mower Drive, R. H.
4	532 13 80-29	Pulley, Engine
5	810 04 07-00	Washer, Lock 7/16
6	871 17 07-44	Bolt Hex 7/16-20 Gr. 5
7	532 12 65-20	Traction, V-Belt Drive
8	532 12 34-05	Keeper, T/A Ground Drive Belt
9	872 14 06-12	Bolt, Carr. 3/8-16 UNC x 1-1/2
10	532 12 33-96	Keeper, Belt Ground Drive Idler
11	532 12 33-95	Arm, Ground Drive Clutch
12	532 12 36-74	Idler, Flat

KEY NO.	PART NO.	DESCRIPTION
13	819 13 13-16	Washer 13/32 x 13/16 x 16 Ga.
14	873 93 06-00	Nut, Centerlock 3/8-16UNC
15	873 68 06-00	Nut, Crownlock 3/8-16 UNC
16	532 12 64-71	Clip, Insulated
17	532 12 20-52	Spacer, Retainer
18	532 13 14-59	Spring Extension
19	873 51 05-00	Nut, Keps 5/16-18 UNC
20	532 13 99-19	Keeper, T/A Ground Drive Belt
21	819 11 10-16	Washer 11/32 x 5/8 x 16 Ga.
22	532 12 34-04	Keeper, Frame Ground Drive Belt
23	532 13 12-04	Keeper, Mower Drive, L. H.

**HARDWARE SHOWN LARGER FOR EASIER IDENTIFICATION**



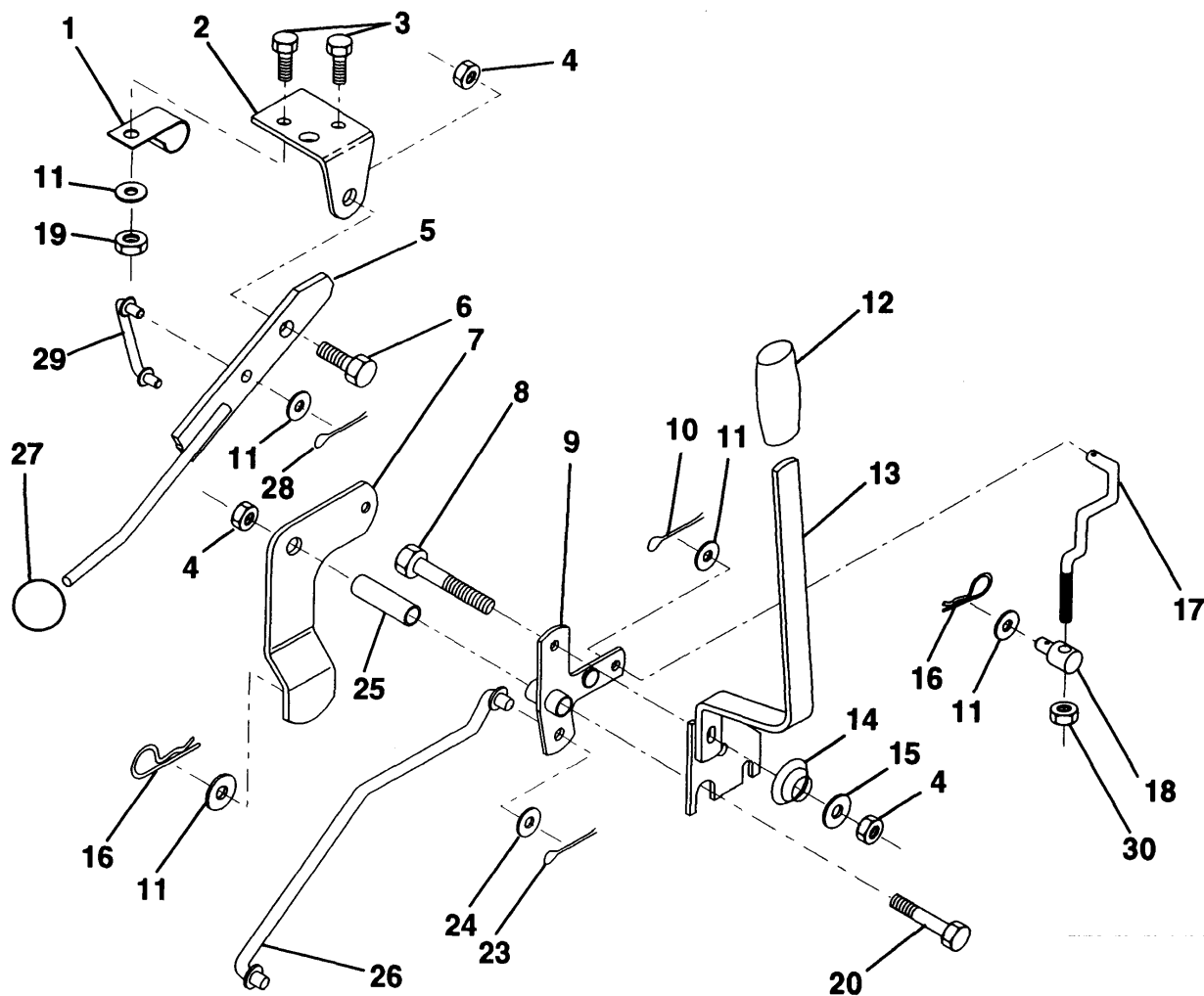
**KEY PART DESCRIPTION**  
**NO. NO.**

1	532 12 33-85	Pulley
2	812 00 00-28	Ring, Retainer
4	532 12 50-96	Key, Woodruff #9
5	873 68 05-00	Nut, Crownlock 5/16-18
6	872 14 05-06	Bolt, Carriage 5/16-18 UNC x 3/4
7	532 12 33-78	Strap, Torque
8	817 49 05-12	Screw 5/16-18 x 3/4
9	532 11 04-22	Spring, Brake
10	532 12 17-49	Washer 25/32 x 1-1/4 x 16 Ga.
11	532 12 35-83	Key, Square
12	874 76 05-40	Bolt, Fin Hex 5/16-18 x 2-1/2
15	819 17 16-16	Washer 17/32 x 1 x 16 Ga.
16	532 12 46-00	Support Handle Shift LH
17	532 12 62-93	Link, Shift
18	871 04 04-12	Bolt, Fin Hex 1/4-28 UNF x 3/4 Gr. 8

**KEY PART DESCRIPTION**  
**NO. NO.**

19	810 04 04-00	Washer, Lock 1/4
20	819 09 12-10	Washer 9/32 x 3/4 x 10 Ga.
21	532 12 62-92	Arm, Shift
22	532 10 57-01	Washer, Shift Plate
23	532 12 12-74	Knob, Duckhead LT120
23	532 10 69-33	Knob LT100/112
24	532 12 82-15	Rod, Shift
25	876 02 04-16	Pin, Cotter 1/8x1
26	873 81 05-00	Locknut 5/16-24 UNF
27	873 51 05-00	Nut, Keps 5/16-18
28	532 12 80-85	Extension, Spring
29	532 12 80-84	Support Handle Shift RH
31	532 13 70-57	Spacer Axle
32	819 11 11-16	Washer 11/32 x 11/16 x 16 Ga.
34	811 05 05-00	Washer External Tooth 5/16
35	812 00 00-01	E-Ring

**HARDWARE SHOWN LARGER FOR EASIER IDENTIFICATION**



**KEY NO. PART NO. DESCRIPTION**

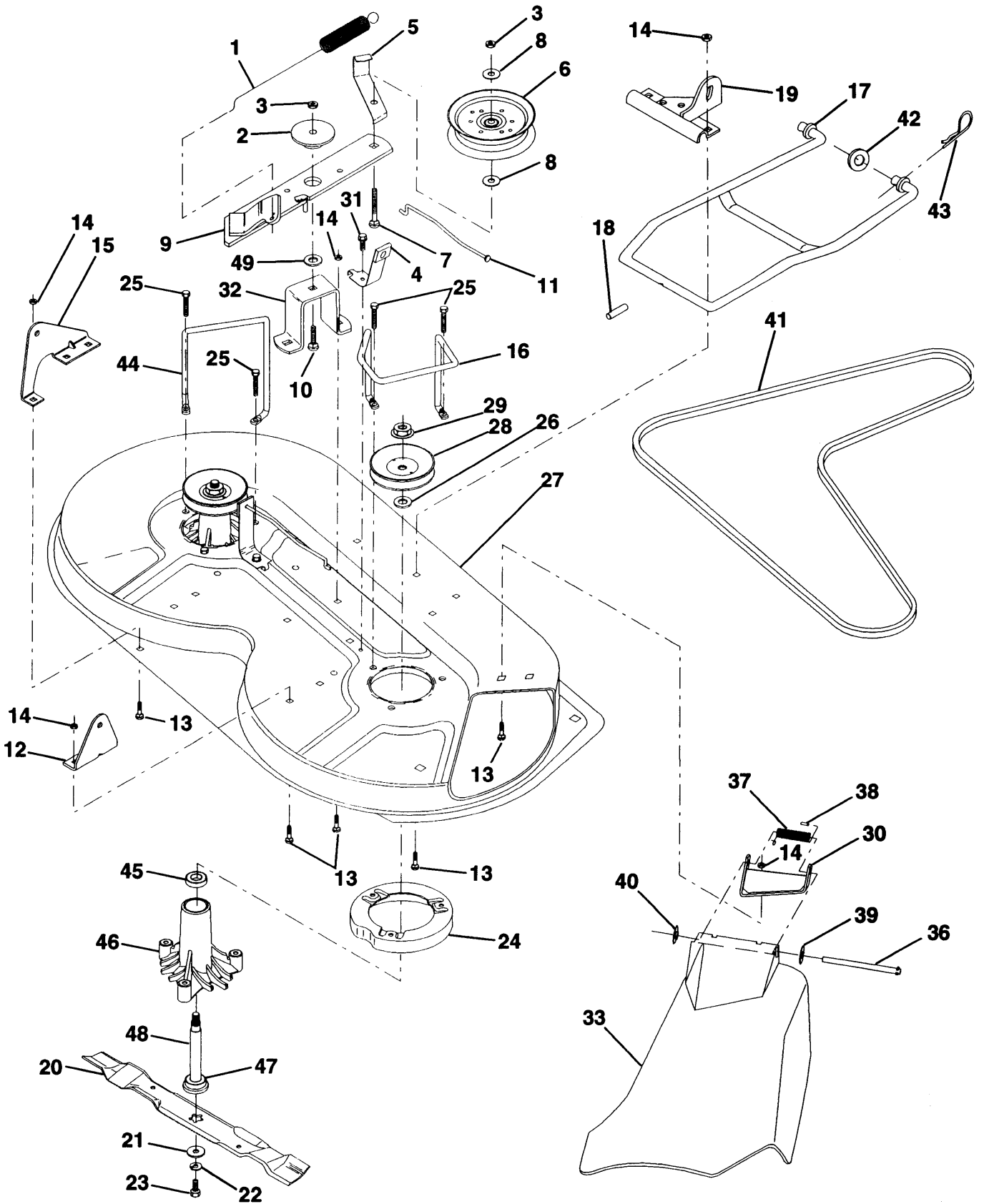
1	532 12 64-70	Clip, Insulated
2	532 12 20-18	Bracket, Mower Clutch
3	874 78 04-08	Bolt, Fin. Hex 1/4-20 UNC x 1/2Gr.5
4	873 80 06-00	Nut, Crownlock 3/8-16UNC
5	532 12 34-17	Assembly, Clutch Lever
6	532 10 64-51	Bolt, Shoulder
7	532 13 53-71	Assembly, Mower Clutch Arm
8	874 76 06-36	Bolt, Hex 3/8-16 UNC x 2-1/4
9	532 12 19-30	Assembly, Bellcrank Lift
10	876 02 04-12	Pin, Cotter 1/8 x 3/4
11	819 13 13-16	Washer 13/32 x 13/16 x 16 Ga
12	532 13 18-61	Grip handle LT100/112
13	532 12 20-27	Grip, Handle LT 120
13	532 13 93-52	Assembly, Lift Handle

**KEY PART NO. NO. DESCRIPTION**

14	532 12 34-96	Spring, Compression
15	819 13 12-12	Washer 13/32x314x 12Ga.
16	532 00 49-21	Retainer, Spring
17	532 12 73-59	Link, Front Lift
18	532 13 32-05	Trunnion, Threaded 3/8-16
19	873 68 04-00	Nut, Crownlock 1/4-20
20	874 76 06-44	Bolt, Fin. Hex 3/8-16 UNC x 2-3/4
23	876 02 04-16	Pin, Cotter 1/8x1
24	819 17 16-16	Washer 17/32x1x16Ga.
25	532 12 19-33	Tube, Spacer
26	532 12 19-34	Rod, Mower Lift
27	532 10 69-32	Knob LT 100/112
27	532 12 14-66	Knob LT120
28	876 02 03-12	Pin, Cotter 3/32x3/4
29	532 13 16-55	Link, Mower Clutch
30	873 35 06-00	Nut Hex Jam 3/8-16

**HARDWARE SHOWN LARGER FOR EASIER IDENTIFICATION**

**M**

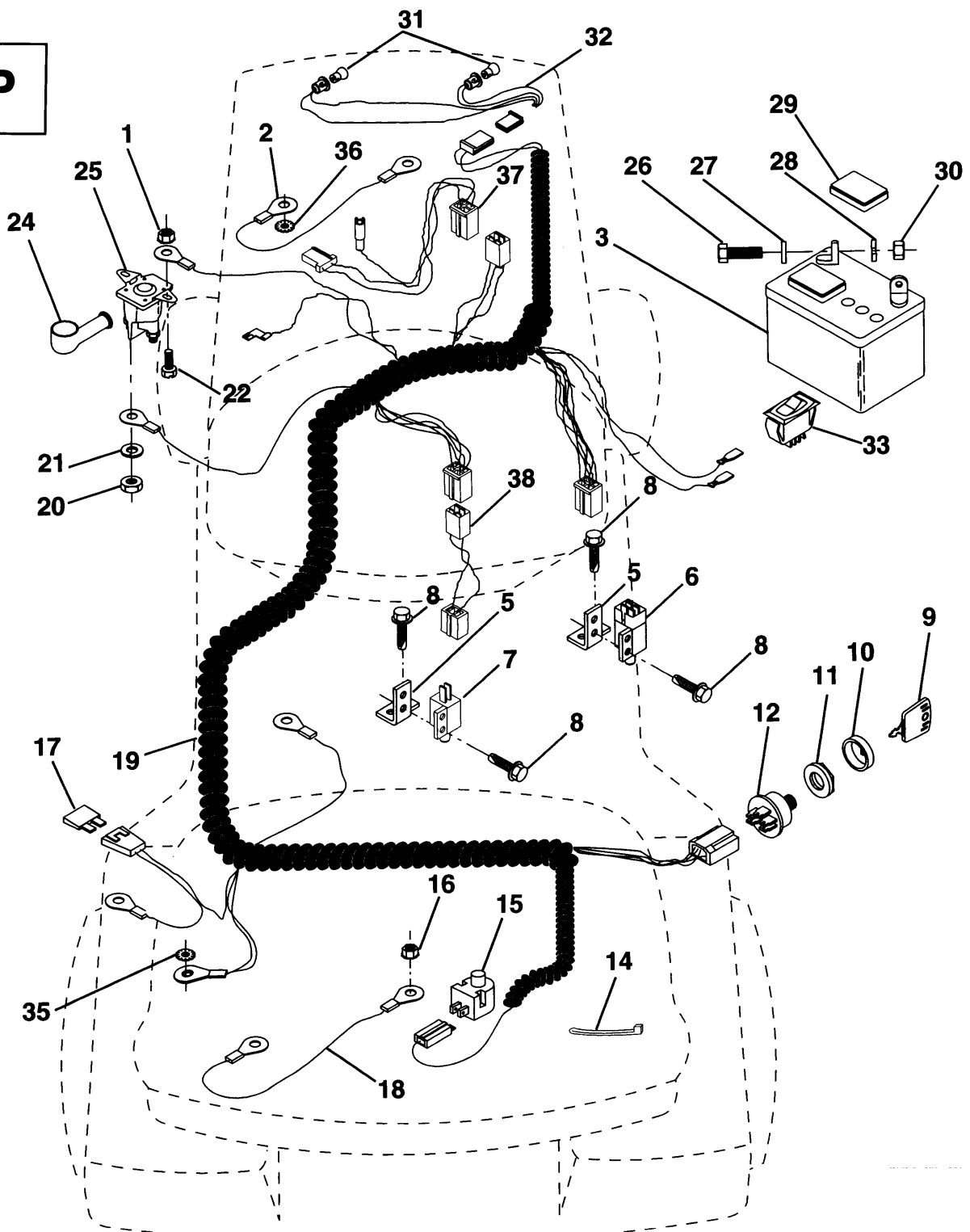




KEY NO.	PART NO.	DESCRIPTION	KEY NO.	PART NO.	DESCRIPTION
1	532 14 00-64	Spring, Mower Clutch	26	532 12 99-63	Washer .150 Thk.
2	532 12 20-52	Spacer, Retainer	27	532 12 99-83	Deck Assembly
3	873 80 06-00	Nut, Crownlock	28	532 12 92-07	Pulley, Mandrell
4	532 13 08-40	Brake Asm.	29	873 05 09-00	Nut
5	532 13 12-51	Guide, Belt Idler	30	532 13 66-31	Bracket, Asm. Deflector
6	532 12 13-16	Pulley, Flat Idler	31	817 49 05-08	Screw, Hex Wsh. Thdrol. 5/16-18 x 1/2
7	872 11 06-16	Bolt, Carr. 3/8-16 x 1 -3/4 Gr. 5	32	532 12 20-51	Arm, Support Idler Mower
8	819 13 14-10	Washer 13/21 x 7/8 x 10 Ga.	33	532 13 15-60	Deflector
9	532 14 00-92	Arm Asm., Idler Mower	36	532 12 19-80	Rod, Hinge
10	872 11 06-08	Bolt, Carriage 3/8-16x 1	37	532 12 37-13	Spring, Torsion Deflector
11	532 13 08-41	Rod, Brake	38	532 10 53-04	Cap, Sleeve
12	532 12 73-56	Bracket, Lift R. H. Rear	39	819 11 10-16	Washer 11/32 x 5/8 x 16 Ga.
13	872 14 05-05	Bolt, Carriage 5/16-18 x 5/8	40	532 11 04-52	Pushnut
14	873 68 05-00	Nut, Crownlock 5/16-18	41	532 13 12-64	V-Belt
15	532 12 73-57	Bracket, Lift L. H. Rear	42	819 17 16-16	Washer 11/32 x 5/8 16 Ga.
16	532 14 00-93	Keeper, R. H.	43	532 12 46-60	Retainer, Spring
17	532 12 85-08	Link, Asm. Mower Stabilizer	44	532 14 06-08	Keeper, L. H.
18	532 12 85-11	Pin, Drive	45	532 11 04-85	Bearing
19	532 12 73-80	Bracket, Asm. Front	46	532 12 87-74	Housing Mandrel Vented
20	532 14 01-01	Blade, Mulching	47	532 12 98-95	Bearing
20	532 12 78-41	Blade, Hi-Lift	48	532 13 76-45	Shaft, Mandrel (Includes Key # 47)
21	532 14 02-96	Washer, Hard	--	532 13 07-94	Mandrel Asm. (Includes Key No.'s 22-23, 26, 29 and 45-48)
22	810 03 06-00	Washer, Lock 3/8	--	532 14 09-79	Deck, Mower Complete
23	532 85 08-57	Bolt 3/8-24 x 1-1/4 Gr. 8	49	532 13 39-43	Washer Wear 16 Ga.
24	532 14 03-29	Stripper			
25	873 76 05-28	Bolt 5/16-18 x 1-1/4			

**HARDWARE SHOWN LARGER FOR EASIER IDENTIFICATION**

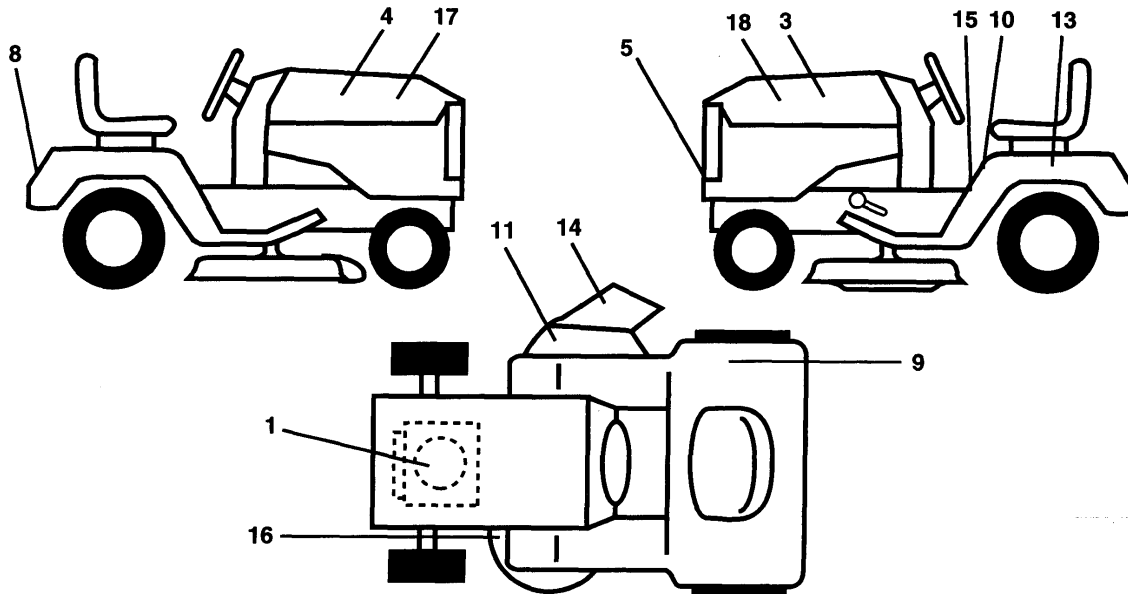
**P**



KEY PART NO.	PART NO.	DESCRIPTION
1	873 51 04-00	Nut, Hex Keps 1/4-20
2	532 10 84-23	Assembly, Cable
3	532 13 39-09	Battery
5	532 10 82-36	Bracket, Switch
6	532 10 95-53	Switch Interlock (4-terminal)
7	532 10 44-45	Switch Interlock (2-terminal)
8	817 02 10-08	Screw, Hex Hd. Tap #10-24 x 1/2
9	532 14 04-01	Key, Molded
10	532 12 36-20	Cover, Key Ignition
11	532 14 04-00	Nut, Ignition
12	532 14 03-99	Switch, Ignition
14	532 12 47-56	Tie, Cable
15	532 12 13-05	Switch, Plunger
16	873 51 05-00	Nut, Hex, Keps 5/16-18
17	532 10 88-24	Fuse
18	532 12 83-53	Assembly, Cable
19	532 14 04-10	Harness, Ignition LT100/112
19	532 14 04-11	Harness. Ignition LT120

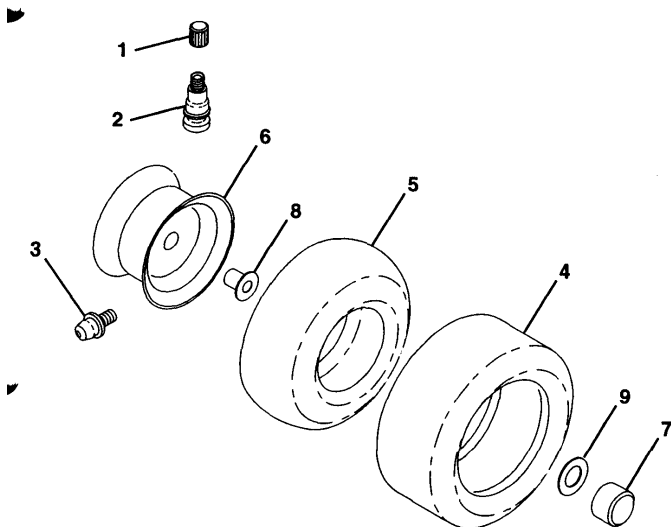
KEY PART NO.	PART NO.	DESCRIPTION
20	873 35 04-00	Nut, Hex Jam 1/4-20
21	810 09 04-00	Washer, Lock 1/4
22	874 78 04-08	Bolt, Fin. Hex 1/4-20 UNC x 1/2 Gr. 5
24	532 13 15-63	Cover, Terminal
25	532 13 84-06	Solenoid
26	874 76 04-12	Bolt, Hex Hd. 1/4-20 UNC x 3/4
27	819 09 10-16	Washer 9/32 x 5/8 x 16
28	810 04 04-00	Washer, Lock 1/4
29	532 12 12-64	Cap, Battery
30	873 22 04-00	Nut, Fin. Hex 1/4-20 UNC
31	532 00 41-52	Bulb Light, LT120
32	532 13 10-78	Harness Headlight LT120
33	532 11 07-12	Switch Light LT120
35	811 05 06-00	Washer Lock Ext. Tooth 3/8
36	810 04 04-00	Washer Lock Inter. Tooth 1/4
37	532 14 04-13	Harness Engine
38	532 14 06-60	Harness Adapter





KEY NO.	PART NO.	DESCRIPTION	KEY NO.	PART NO.	DESCRIPTION
1	532 12 90-57	Decal, HP, Engine LT120	15	532 14 01-62	Decal, Instruction, Warning, (Multi-Lang.)
3	532 14 02-06	Decal, Hood, L. H.	--	532 13 82-70	Decal, Instruction Warning (Swedish/Danish/Finnish/Norwegian)
4	532 14 02-05	Decal, Hood, R. H.	--	532 12 63-48	Decal, Instruction, Warning, (Spanish/Italian)
5	532 14 02-13	Decal, Logo, Grill	16	532 13 68-30	Decal, V-Belt Schematic
8	532 13 15-82	Decal, Logo, Fender	17	532 14 02-01	Decal, Hood R.H LT100
9	532 12 61-87	Decal, Certification (French/Dutch)	17	532 14 02-03	Decal Hood R.H LT112
10	532 13 37-95	Decal Caution Fender	17	532 14 01-99	Decal HoodR.HLT120
11	532 13 72-59	Decal, Warning	18	532 14 02-02	Decal, Hood L.H LT100
13	532 12 15-49	Decal, Caution, Battery	18	532 14 02-04	Decal, Hood L.H LT112
14	532 12 61-93	Decal, Caution, Deflector, (Swedish/Danish/Finnish/Norwegian)	18	532 14 02-00	Decal, Hood L.H LT120
--	532 12 63-47	Decal, Caution, Deflector, (Spanish/Italian)	--	532 13 82-69	Decal, Inst. Oper. (English/French)

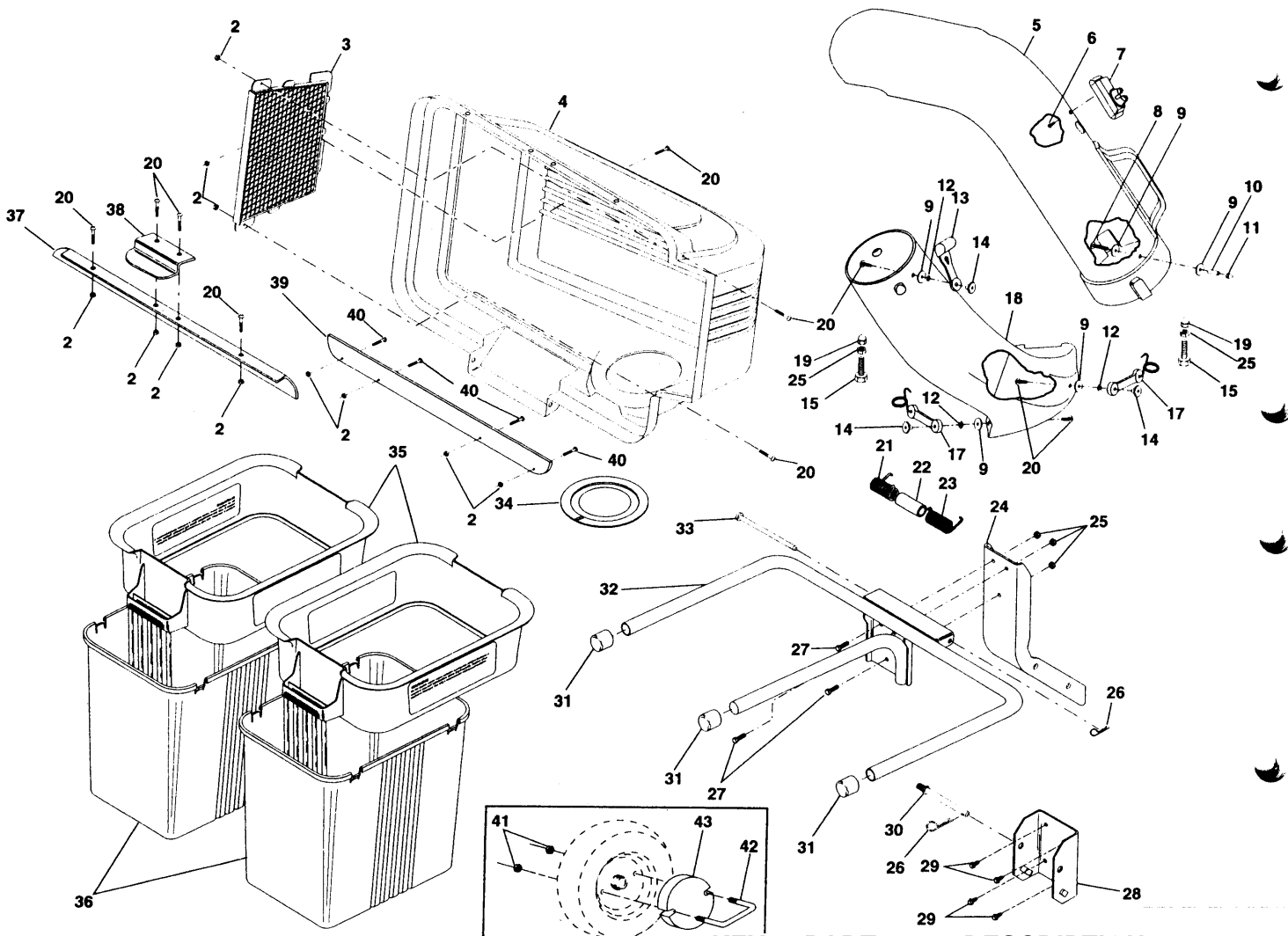
## WHEELS & TIRES



KEY NO.	PART NO.	DESCRIPTION
1	532 05 91-92	Cap, Valve
2	532 06 51-39	Stem, Valve
3	532 12 49-57	Fitting, Grease\ (Front Wheels)
4	532 12 34-10	Tire, Front LT100/112
4	532 30 11-40	Tire, Front LT120
4	506 80 27-01	Tire, Rear LT100/112
4	532 13 27-03	Tire, Rear LT120
5	532 05 99-04	Tube, Front
5	532 00 81-34	Tube, Rear
6	532 14 02-98	Rim, Front
6	532 14 04-53	Rim, Rear
7	532 10 47-57	Cap, Hub LT100/112
7	532 12 45-77	Cap, Hub Front LT120
7	532 12 45-78	Cap, Hub Rear LT120
8	532 12 49-59	Bearing Flange
9	532 12 17-48	Washer 25/32 x 1 -5/8 x 16 Ga.

I940023

S



KEY NO.	PART NO.	DESCRIPTION	KEY NO.	PART NO.	DESCRIPTION
2	532 06 91-80	Locknut # 10-24	24	532 12 77-20	Post, Support
3	532 12 75-33	Screen, Cover	25	873 22 05-00	Locknut 5/16 x 18
4	532 14 06-54	Cover	26	532 12 46-70	Spring, Retainer
5	532 12 85-98	Chute, Upper	27	874 76 05-12	Bolt, Hex 5/16-18 x 3/4
6	818 02 10-08	Screw, Special	28	532 13 08-89	Bracket, Mounting
7	532 14 05-72	Indicator, Dump Bag	29	817 49 05-08	Screw, Thread Rolling 5/16-18 x 1/2
8	532 08 71-75	Screw, # 10-24 x 1-1/8	30	532 13 11-37	Pin, Support Post
9	734 11 46-01	Washer 3/16 x 3/4 x 16 Ga	31	532 13 44-96	Cap, Tubing End
10	532 00 72-06	Spacer, Split	32	532 12 69-19	Bagger, Frame
11	532 06 08-67	Nut, Acorn # 10-24	33	532 12 86-00	Pin, Hinge
12	810 07 10-00	Washer, lock	34	532 12 75-34	Gasket, Cover
13	532 10 98-08	Latch, Chute	35	532 12 95-85	Container, Top
14	532 12 50-04	Nut, Weld	36	532 12 95-86	Container, Bottom, Hard
15	874 93 05-16	Bolt, Hex 5/16-18 x 1	36	532 13 24-31	Container, Bottom, Soft
17	532 13 07-58	Latch Assy., Bagger	37	532 13 22-56	Seal, Cover
18	532 12 85-99	Chute, Lower	38	532 13 08-95	Latch Handle, Cover
19	532 13 38-41	Nut, Acorn 5/16-18	39	532 13 54-95	Strip, Seal
20	874 29 10-10	Screw # 10-24 x 5/8	40	874 19 10-08	Screw # 10-24 x 112
21	532 13 27-96	Screw, Cover L.H. (black)	41	873 80 06-00	Locknut 3/8-16
22	532 13 32-35	Spacer, Cover	42	532 13 70-31	U-Bolt
23	532 13 29-83	Spring, Cover R.H. (gray)	43	532 12 36-35	Weight, Wheel