

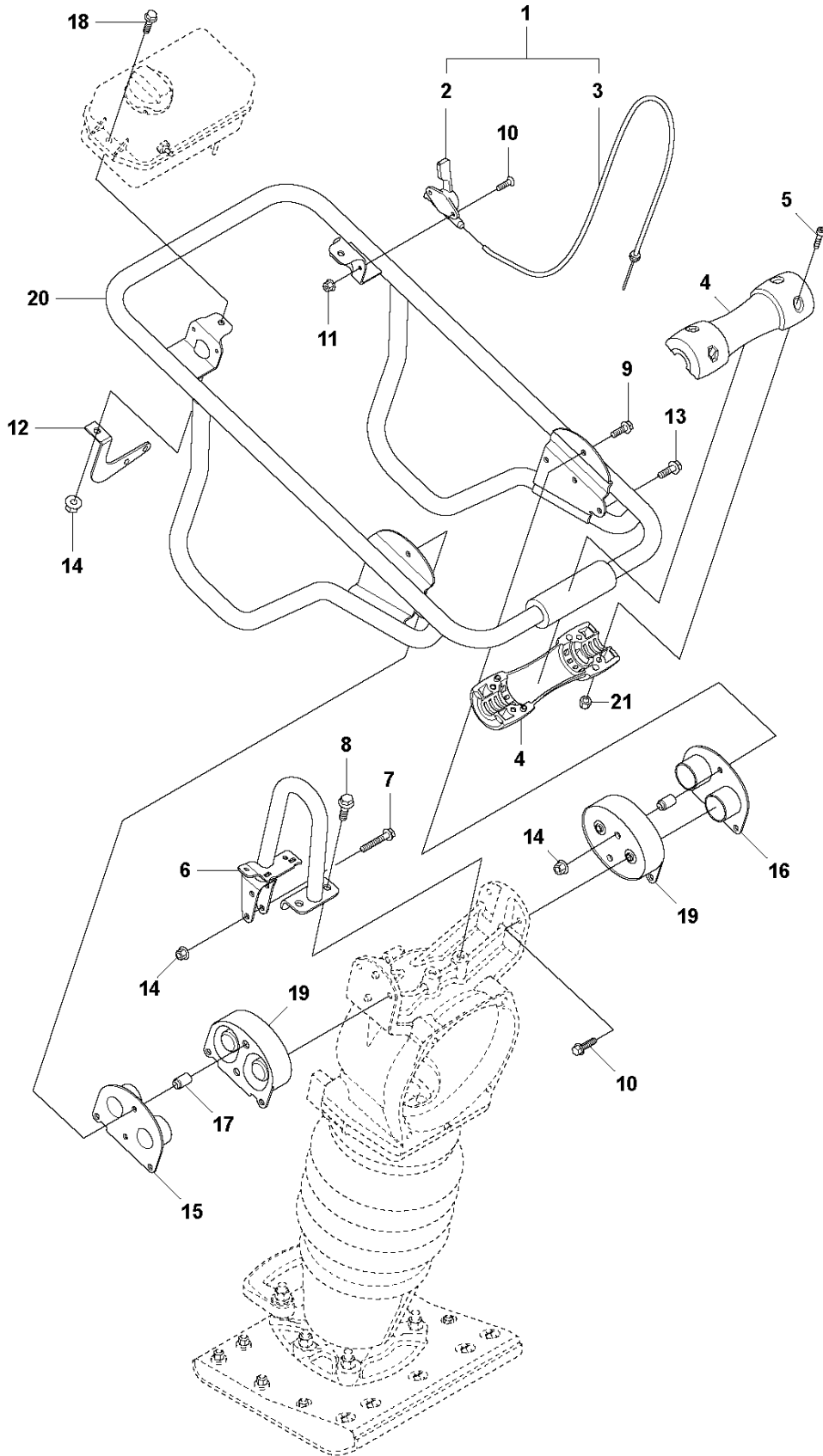


# SPARE PARTS LIST

LIGHT COMPACTION

LT 800, 967897001, 967897002, 2019-08

**A** LT 800  
HANDLE

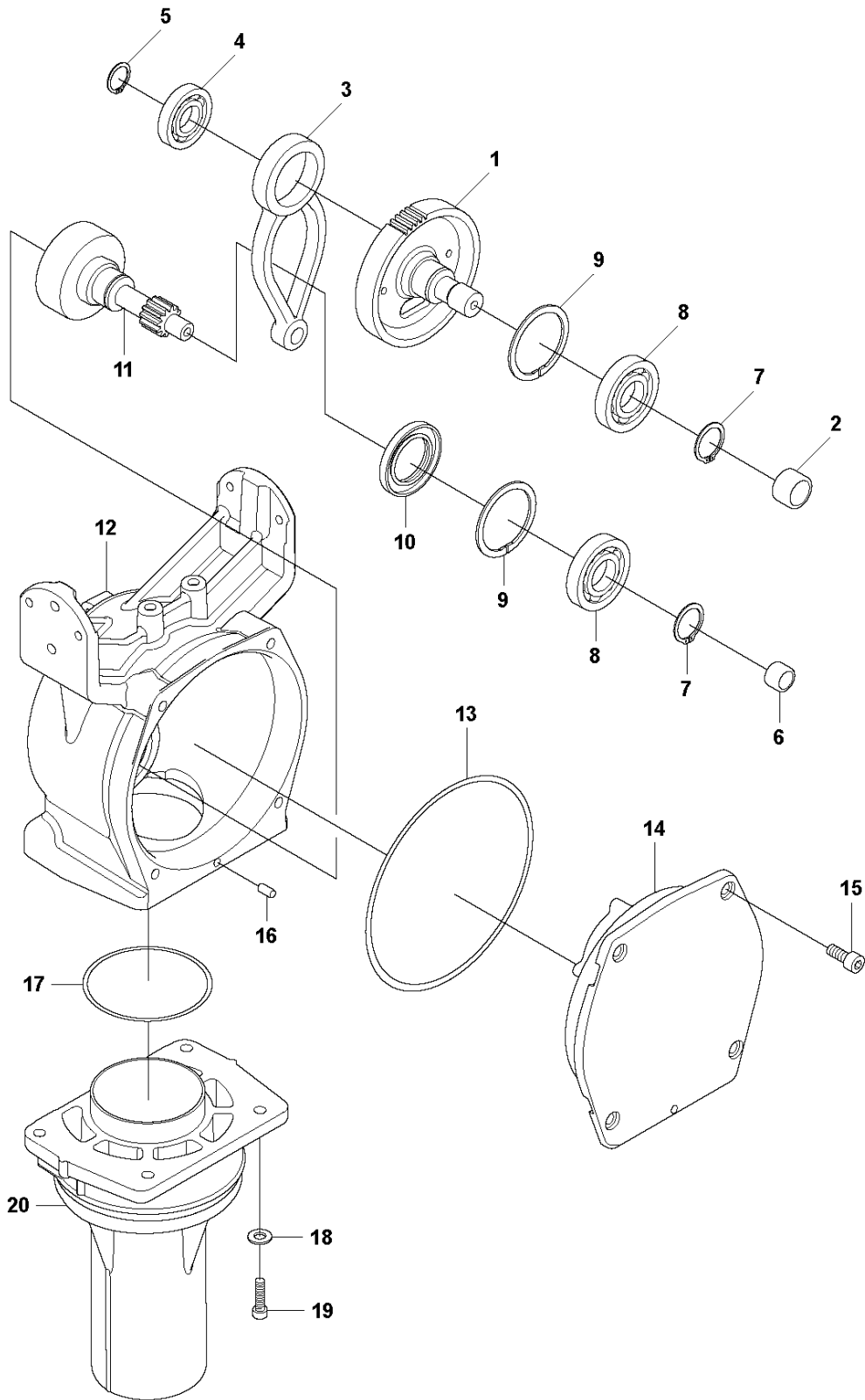


## HANDLE

LT 800, 967897001, 967897002, 2019-08

Ref	Part No	Description	Remark	QTY KIT	
1	594 48 84-01	THROTTLE CONTROL		1	
2	594 65 49-01	HANDLE		1	1
3	594 48 84-01	THROTTLE CONTROL		1	1
4	594 45 85-01	VALVE		2	
5	595 11 12-01	SCREW	M6 x 30 mm 8.8 A2K	4	
6	594 16 54-01	HANDLE		1	
7	594 49 91-01	SCREW	M8 x 50 mm 8.8 A2K	2	
8	594 51 73-01	SCREW	M10 x 30 mm 8.8 A3K	2	
9	595 28 73-01	SCREW	M8 x 20 mm 8.8 A2K	4	
10	594 53 40-01	SCREW	M5 x 18 mm 8.8 A2K	2	
11	595 35 24-01	NUT	M5 A2K	2	
12	594 47 85-01	BRACKET		1	
13	594 12 00-01	SCREW	M8 x 25 mm 8.8 A2K	4	
14	594 12 30-01	LOCK NUT	M8 x 1.25 mm A2K	8	
15	594 46 85-01	STOP		1	
16	594 46 84-01	STOP		1	
17	594 51 62-01	PIN		4	
18	594 11 98-01	SCREW	M8 x 30 mm 8.8 A2K	6	
19	594 46 83-01	ABSORBER		2	
20	594 15 41-01	HANDLE		1	
21	595 03 60-01	LOCK NUT	M6 ISO7040	4	

**B** LT 800  
TRANSMISSION

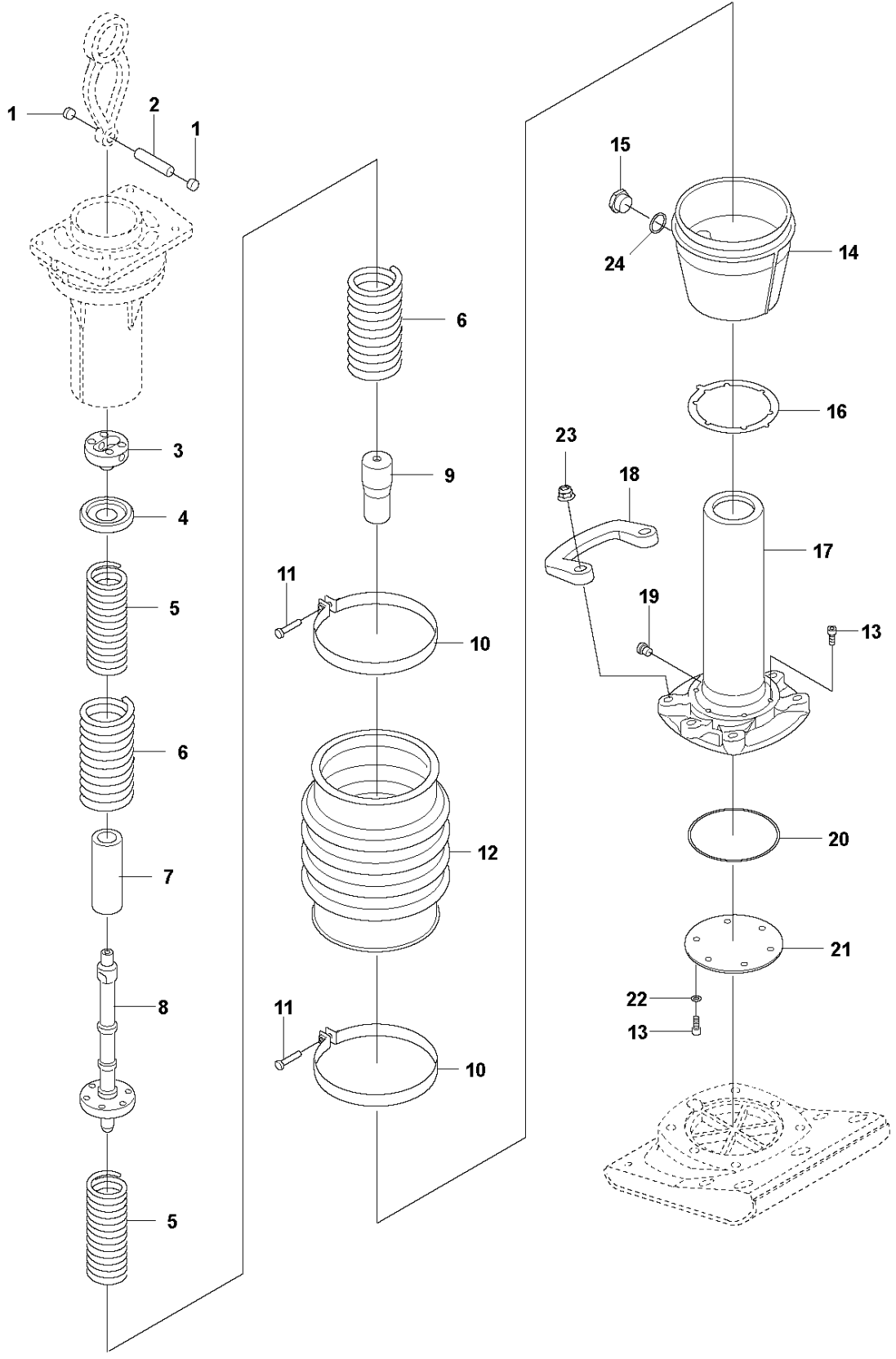


## TRANSMISSION

LT 800, 967897001, 967897002, 2019-08

Ref	Part No	Description	Remark	QTY KIT
1	594 44 77-01	GEAR WHEEL		1
2	594 53 74-01	ROLLER BEARING		1
3	594 44 22-01	CONNECTING ROD		1
4	594 25 85-01	BALL BEARING		1
5	594 12 47-01	RETAINER RING		1
6	594 53 73-01	ROLLER BEARING		1
7	595 11 40-01	SNAP RING		2
8	594 53 17-01	BALL BEARING		2
9	595 04 62-01	SNAP RING		2
10	594 53 76-01	SEALING		1
11	594 44 76-01	SHAFT		1
12	594 47 41-01	CRANKCASE		1
13	595 04 72-01	O-RING		1
14	594 42 75-01	CRANKCASE		1
15	595 11 13-01	SCREW	M10 x 25 mm 8.8 A3K	4
16	595 10 93-01	PIN		1
17	595 11 77-01	O-RING		1
18	594 74 74-01	WASHER	10.5 x 22 x 2 mm, 0.41 x 0.87 x 0.08 in. 300 HV	4
19	595 05 83-01	SCREW	M10 x 35 mm 8.8 A3K	4
20	594 47 42-01	TUBE		1

**C** LT 800  
SPRING UNIT

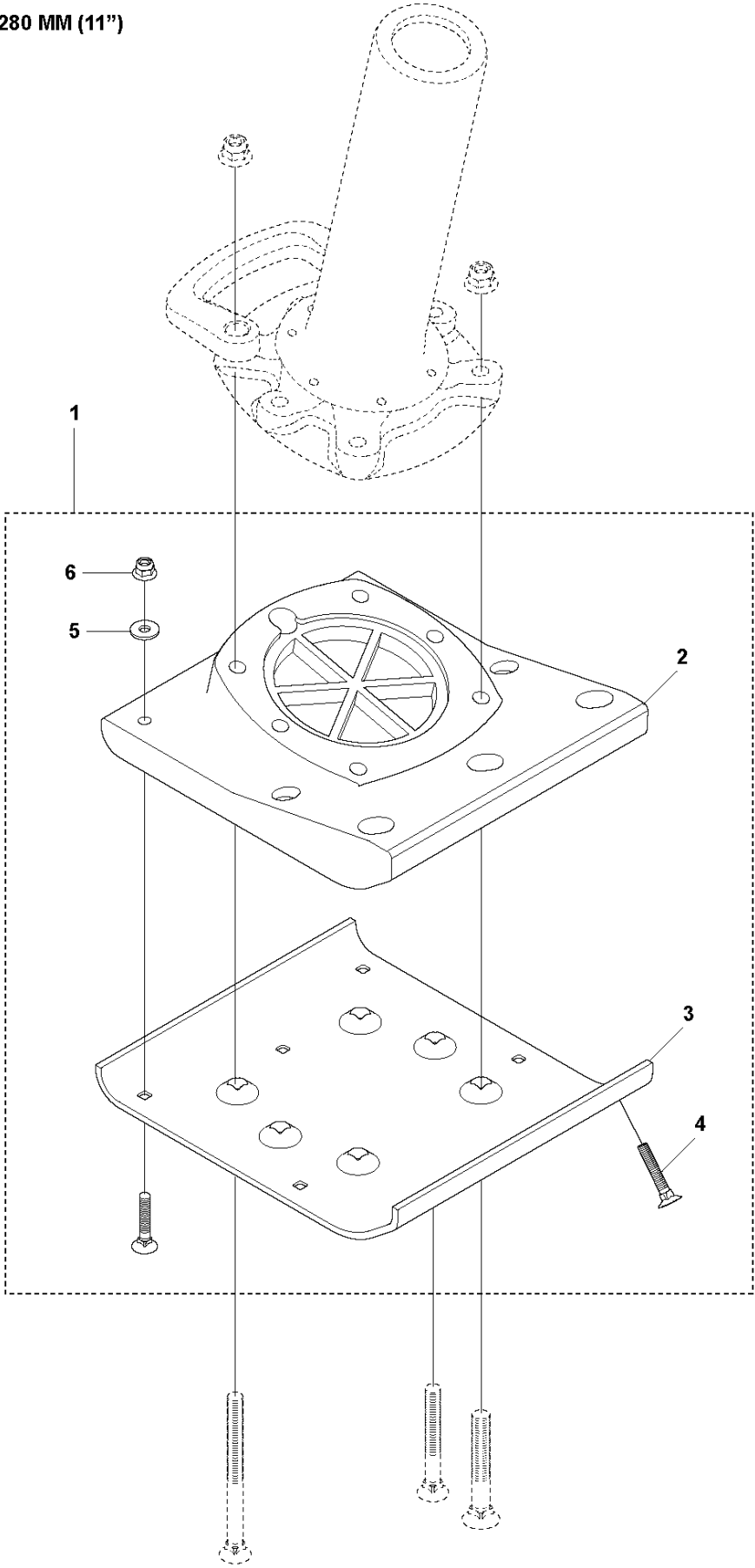


## SPRING UNIT

LT 800, 967897001, 967897002, 2019-08

Ref	Part No	Description	Remark	QTY KIT
1	594 44 43-01	PLUG		2
2	594 44 41-01	BOLT		1
3	594 44 74-01	PISTON ROD		1
4	594 45 63-01	COVER		1
5	594 44 18-01	SPRING		2
6	594 44 17-01	SPRING		2
7	594 44 19-01	STOP		1
8	594 45 60-01	PISTON ROD		1
9	594 44 20-01	STOP		1
10	594 34 96-01	HOSE CLAMP		2
11	595 03 35-01	SCREW	M8 x 40 mm 8.8 A2K	2
12	594 65 20-01	BELLOWS		1
13	595 34 83-01	SOCKET	M8 x 20 mm 8.8 A2K	12
14	594 47 43-01	BRACKET		1
15	594 51 85-01	LEVEL		1
16	594 45 59-01	GASKET		1
17	594 45 61-01	TUBE		1
18	594 45 82-01	BRACKET		1
19	594 53 75-01	PLUG		1
20	595 04 71-01	O-RING		1
21	594 45 11-01	COVER		1
22	594 12 77-01	SEALING WASHER		6
23	594 12 30-01	LOCK NUT	M8 x 1.25 mm A2K	2
24	594 51 84-01	WASHER		1

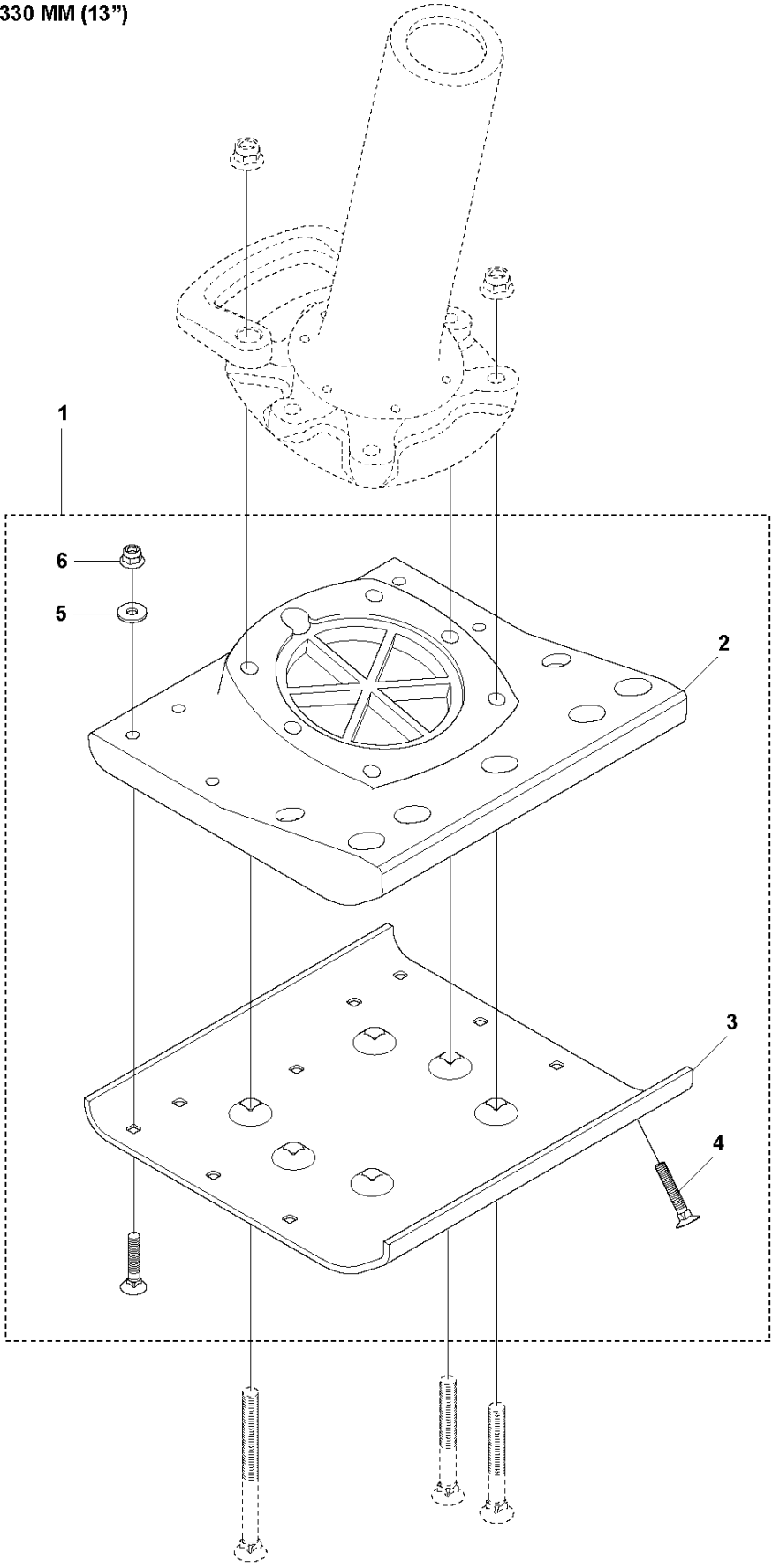
**D** LT 800  
FOOT 280 MM (11")





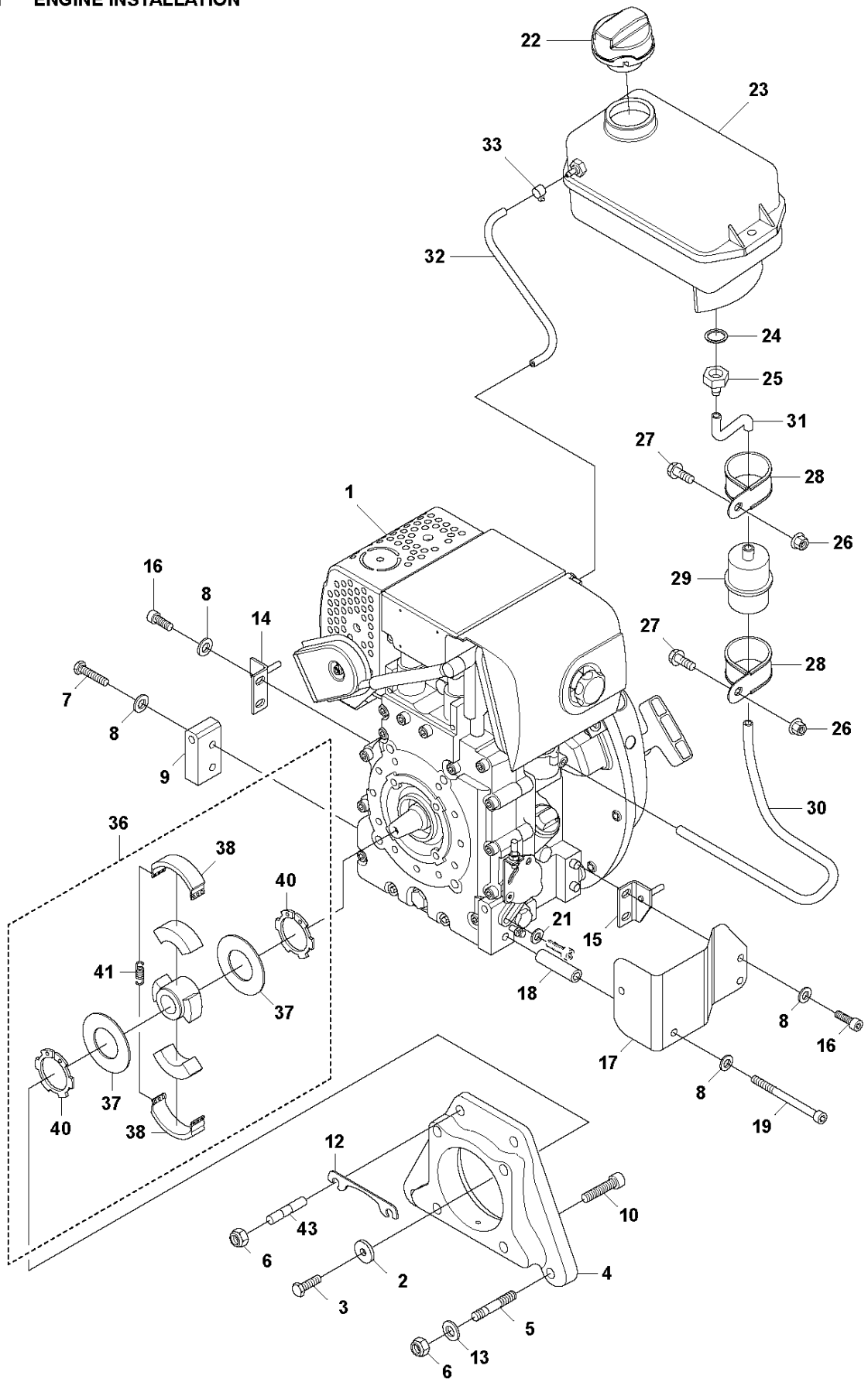
Ref	Part No	Description	Remark	QTY KIT	
1	594 19 34-01	FOOTPLATE	Ramming Foot Mount 11 Inch		
2	594 16 72-01	PLATE	Base plate	1	1
3	594 45 10-01	FOOTPLATE	Foot plate (plastic)	1	1
4	594 12 21-01	BOLT	M8 x 50 mm NYLOK BLUE PATCH™(Known as TUF- LOK® in Europe)	8	1
5	594 12 34-01	WASHER	8.4 x 22 x 3 mm, 0.33 x 0.87 x 0.12 in. HV300	8	1
6	594 12 30-01	LOCK NUT	M8 x 1.25 mm A2K	8	1

**E** LT 800  
FOOT 330 MM (13")



Ref	Part No	Description	Remark	QTY KIT	
1	594 19 34-02	FOOTPLATE			
2	594 16 84-02	PLATE		1	
3	594 45 27-01	FOOTPLATE	Foot plate (Plastic)	1	1
4	594 12 21-01	BOLT	M8 x 50 mm NYLOK BLUE PATCH™(Known as TUF- LOK® in Europe)	14	1
5	594 12 34-01	WASHER	8.4 x 22 x 3 mm, 0.33 x 0.87 x 0.12 in. HV300	14	1
6	594 12 30-01	LOCK NUT	M8 x 1.25 mm A2K	14	1

**F** LT 800  
ENGINE INSTALLATION

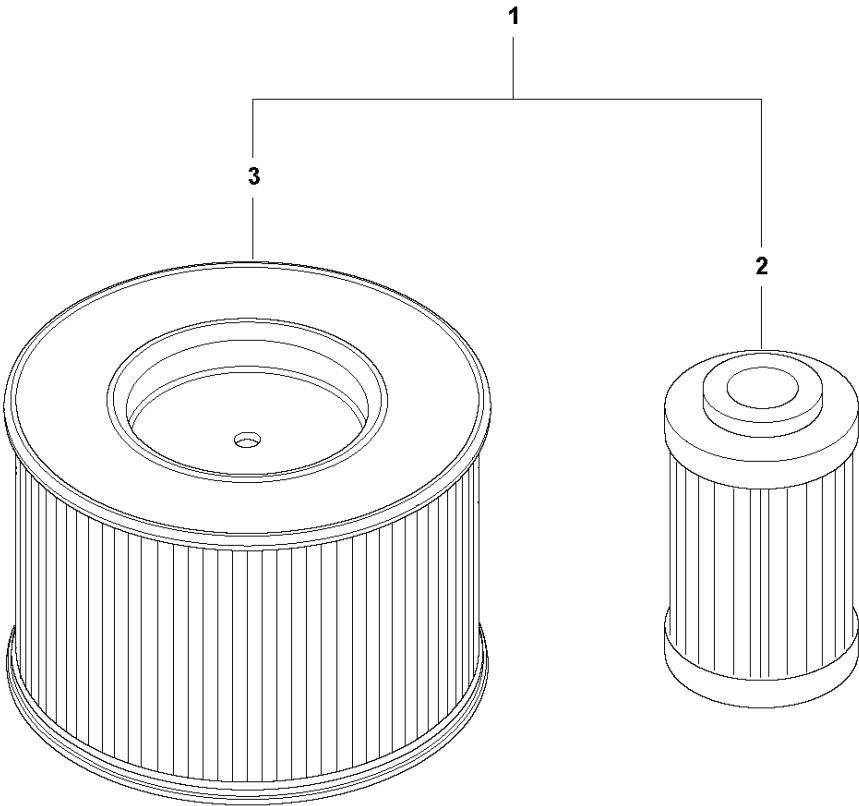


## ENGINE INSTALLATION

LT 800, 967897001, 967897002, 2019-08

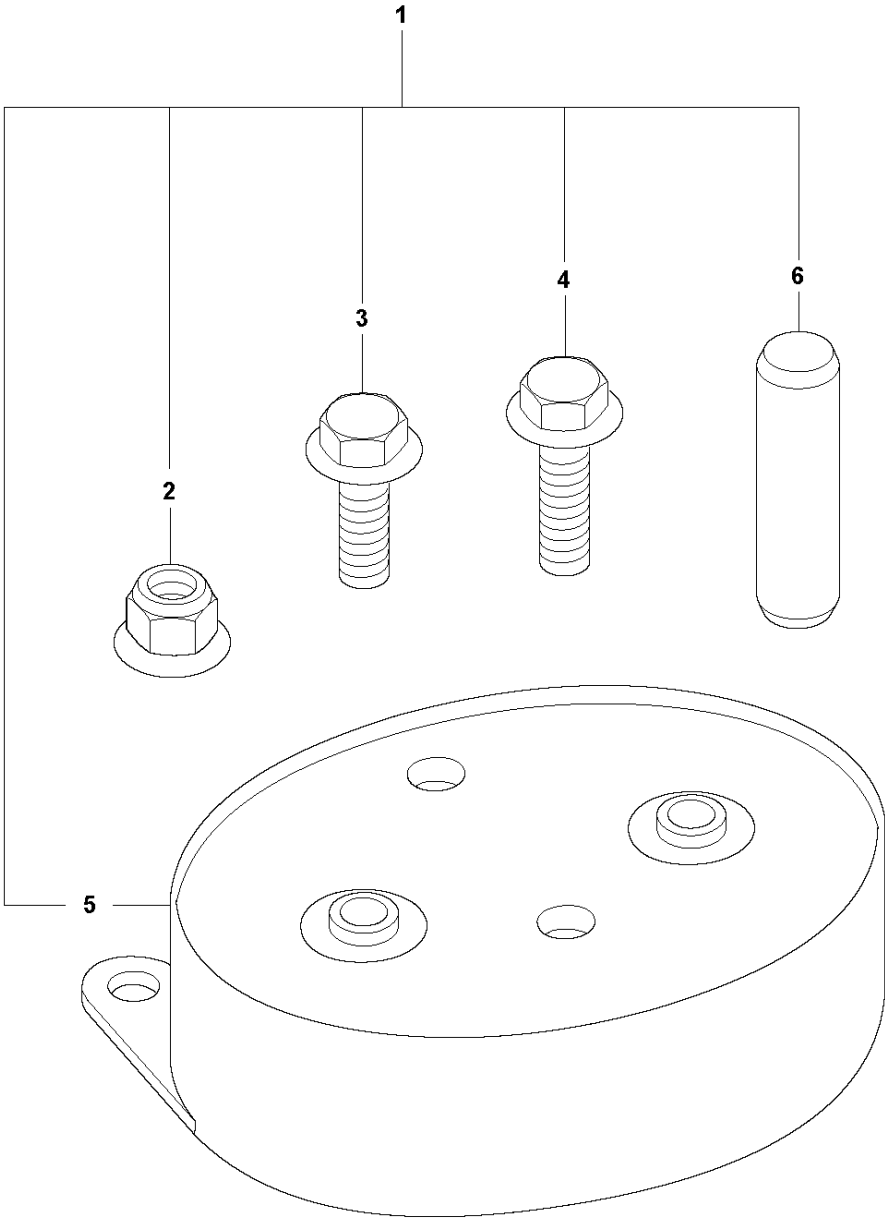
Ref	Part No	Description	Remark	QTY	KIT
1	596 24 12-01	ENGINE	ENGINE Hatz 1B20R-6-289D Re. S02296404 EU from 20190300047	1	
2	595 11 29-01	WASHER	8.4 x 26 x 4 mm, 0.33 x 1.02 x 0.16 in. 300 HV	1	
3	595 03 34-01	SCREW	M08x025H, 8.8, A2K	1	
4	594 47 24-01	ADAPTER		1	
5	594 47 03-01	SCREW		2	
6	594 12 31-01	LOCK NUT	M10	3	
7	595 03 35-01	SCREW	M8 x 40 mm 8.8 A2K	2	
8	595 03 66-01	WASHER	8.4 x 16 x 1.5 mm, 0.33 x 0.63 x 0.06 in. 300 HV	8	
9	594 45 09-01	BRACKET		2	
10	594 12 02-01	SCREW	M10 x 45 mm 10.9 A3K	4	
12	594 47 18-01	WASHER		1	
13	594 74 74-01	WASHER	10.5 x 22 x 2 mm, 0.41 x 0.87 x 0.08 in. 300 HV	2	
14	594 47 39-01	BRACKET	Right	1	
15	594 47 38-01	BRACKET	Left	1	
16	595 34 83-01	SOCKET	M8 x 20 mm 8.8 A2K	4	
17	594 47 90-01	PROTECTIVE PLATE		1	
18	595 17 71-01	SPACER		1	
19	598 18 48-01	SCREW	M8 x 100 mm 8.8 A2K	1	
21	595 11 29-01	WASHER	8.4 x 25 x 2 mm, 0.33 x 0.98 x 0.12 in	1	
22	594 60 97-01	CAP		1	
23	594 15 42-01	FUEL TANK		1	
24	594 51 53-01	WASHER	17 x 23 x 1.5 mm, 0.67 x 0.91 x 0.06 in.	1	
25	594 46 38-01	NIPPLE		1	
26	594 12 30-01	LOCK NUT	M8 x 1.25 mm A2K	2	
27	595 28 73-01	SCREW	Болт M8X16 CL8.8 DIN6921	2	
28	595 46 97-01	CLAMP		2	
29	594 57 99-01	FUEL FILTER		1	
30	594 60 74-01	FUEL HOSE		1	
31	594 60 92-01	FUEL HOSE		1	
32	594 60 75-01	FUEL HOSE		1	
33	594 53 33-01	HOSE CLAMP		1	
36	594 44 75-01	CLUTCH		1	
37	594 31 25-01	COVER		2	36
38	594 58 29-01	CLUTCH		2	36
40	594 31 19-01	RING		2	36
41	594 58 10-01	SPRING		2	36
43	594 47 02-01	SCREW		2	

**G** LT 800  
START UP / 6 MONTHS / EVERY 100 HOURS KIT



Ref	Part No	Description	Remark	QTY KIT	
1	594 21 47-01	FILTER		1	
2	594 57 99-01	FUEL FILTER		2	1
3	594 58 16-01	AIR FILTER		2	1

**H** LT 800  
SHOCK ABSORBER REPAIR KIT



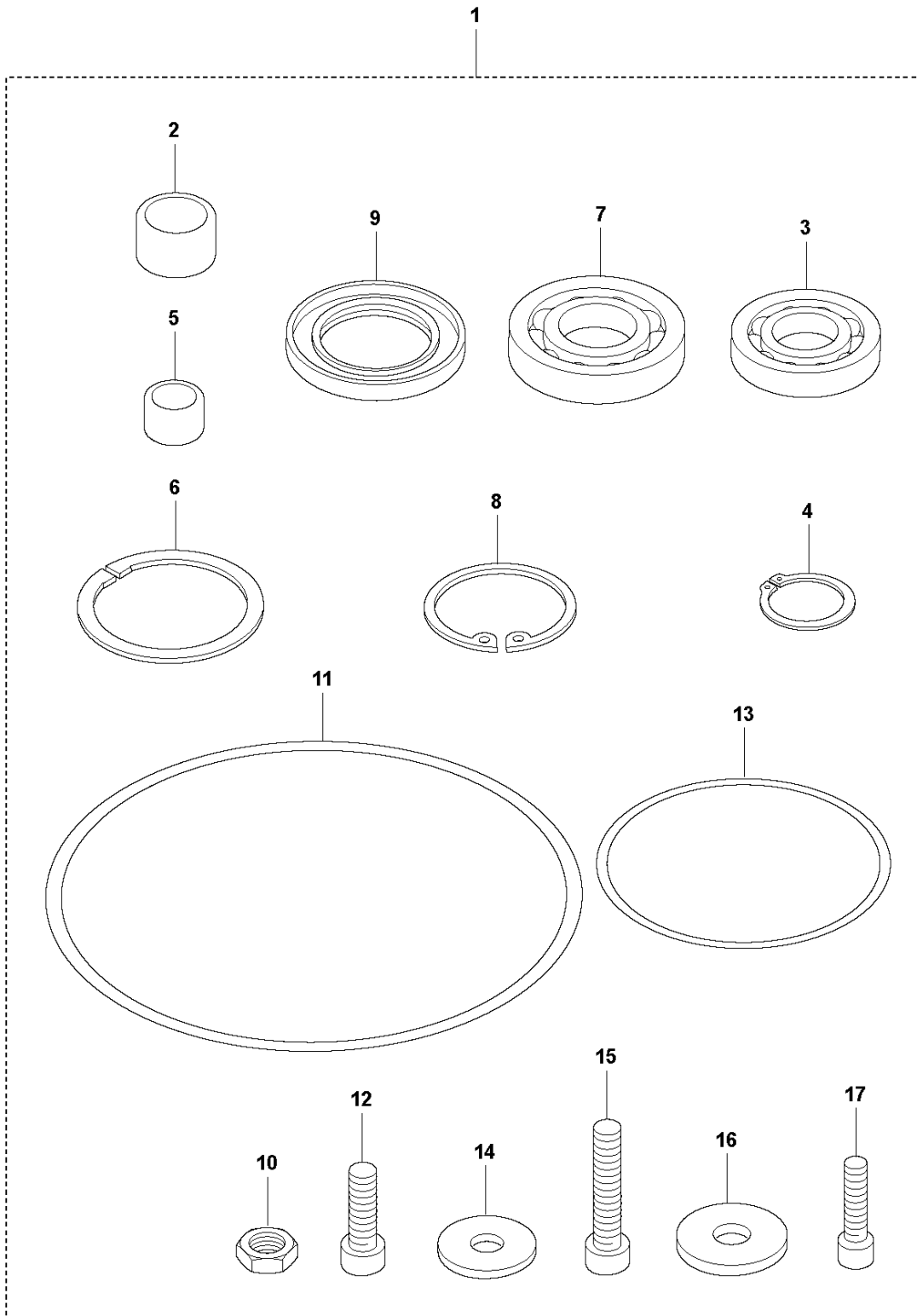


SHOCK ABSORBER REPAIR KIT

LT 800, 967897001, 967897002, 2019-08

Ref	Part No	Description	Remark	QTY KIT	
1	594 65 50-01	REPAIR KIT		1	
2	594 12 30-01	LOCK NUT	Nut, M8 x 1.25 mm A2K	8	1
3	595 28 73-01	SCREW	Screw, M8 x 20 mm 8.8 A2K	4	1
4	594 12 00-01	SCREW	Screw, M8 x 25 mm 8.8 A2K	4	1
5	594 46 83-01	ABSORBER		2	1
6	594 51 62-01	PIN		4	1

**J** LT 800  
TRANSMISSION REPAIR KIT

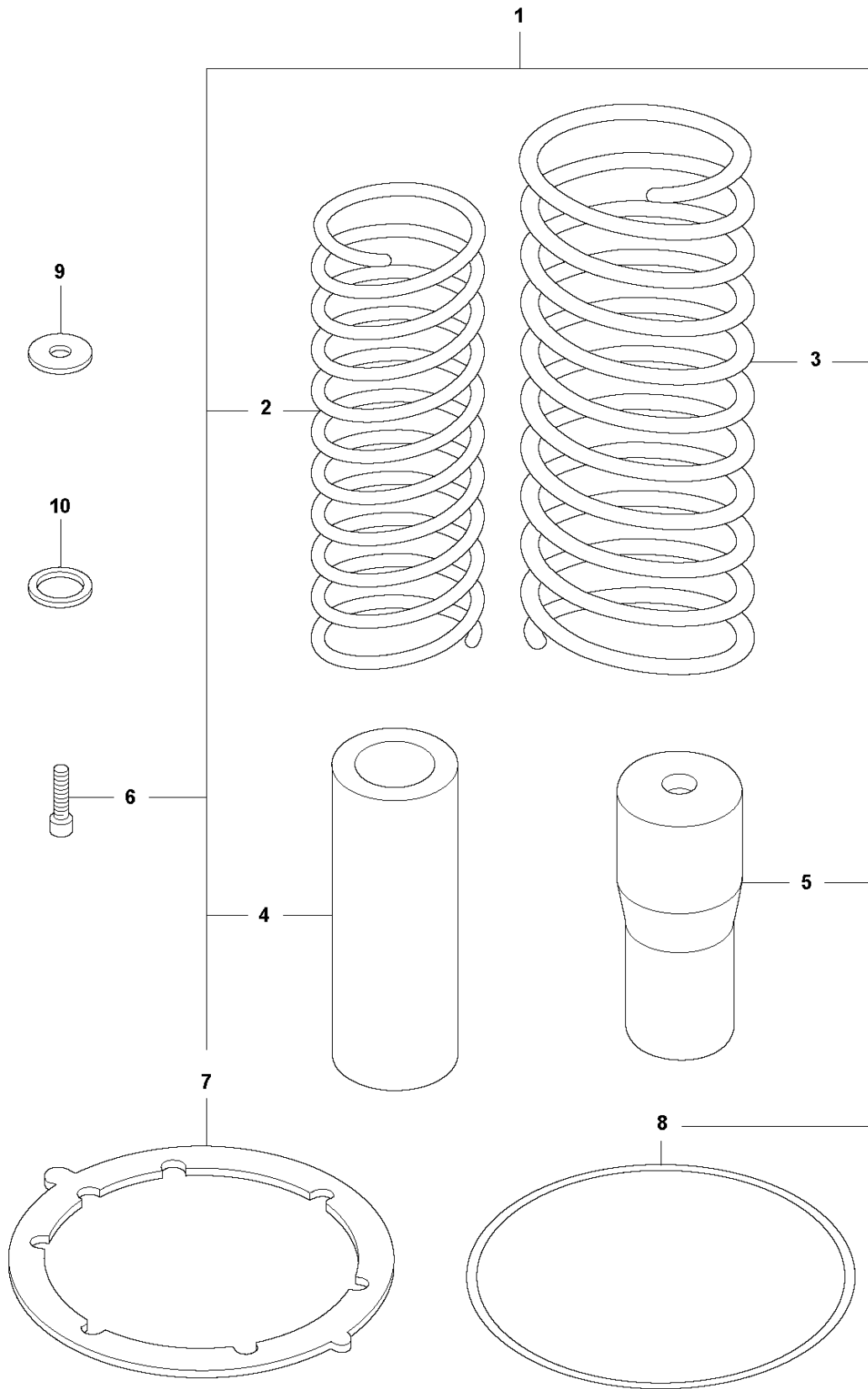


## TRANSMISSION REPAIR KIT

LT 800, 967897001, 967897002, 2019-08

Ref	Part No	Description	Remark	QTY KIT	
1	594 65 51-01	REPAIR KIT		1	
2	594 53 74-01	ROLLER BEARING		1	1
3	594 25 85-01	BALL BEARING		1	1
4	595 14 44-01	SNAP RING		1	1
5	594 53 73-01	ROLLER BEARING		1	1
6	595 04 56-01	SNAP RING		2	1
7	594 53 17-01	BALL BEARING		2	1
8	595 35 35-01	CIRCLIP		2	1
9	594 53 76-01	SEALING		1	1
10	594 52 84-01	NUT	M12 x 1.25 mm A3K	1	1
11	595 35 52-01	O-RING		1	1
12	595 11 13-01	SCREW	M10 x 25 mm 8.8 A3K	4	1
13	595 11 77-01	O-RING		1	1
14	594 74 74-01	WASHER	10.5 x 22 x 2 mm, 0.41 x 0.87 x 0.08 in. 300 HV	4	1
15	595 05 83-01	SCREW	M10 x 35 mm 8.8 A3K	4	1
16	595 11 29-01	WASHER	8.4 x 26 x 4 mm, 0.33 x 1.02 x 0.12 in.	1	1
17	595 11 13-01	SCREW	M8 x 25 mm 8.8 A2K	1	1

**K** LT 800  
SPRING UNIT REPAIR KIT

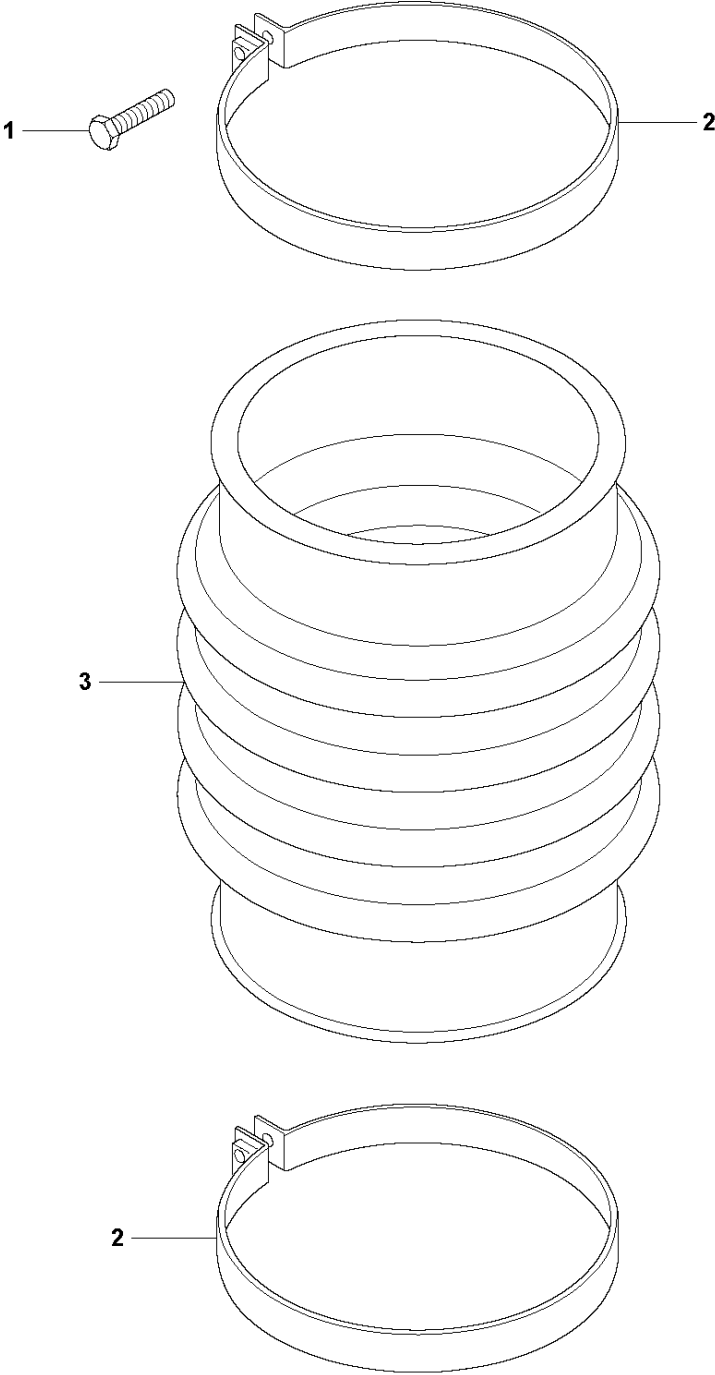


SPRING UNIT REPAIR KIT

LT 800, 967897001, 967897002, 2019-08

Ref	Part No	Description	Remark	QTY KIT
1	594 65 52-01	REPAIR KIT		1
2	594 44 18-01	SPRING		2 1
3	594 44 17-01	SPRING		2 1
4	594 44 19-01	STOP		1 1
5	594 44 20-01	STOP		1 1
6	595 34 83-01	SOCKET	M8 x 20 mm 8.8 A2K	6 1
7	594 45 59-01	GASKET		1 1
8	595 04 71-01	O-RING		1 1
9	594 12 77-01	SEALING WASHER	8.7 x 14 x 1 mm, 0.32 x 0.04 in. Type A	6
10	594 51 84-01	WASHER	27 x 32 x 2 mm, 1.06 x 1.26 x 0.08 in.	1

**L** LT 800  
REPAIR KIT BELLOWS

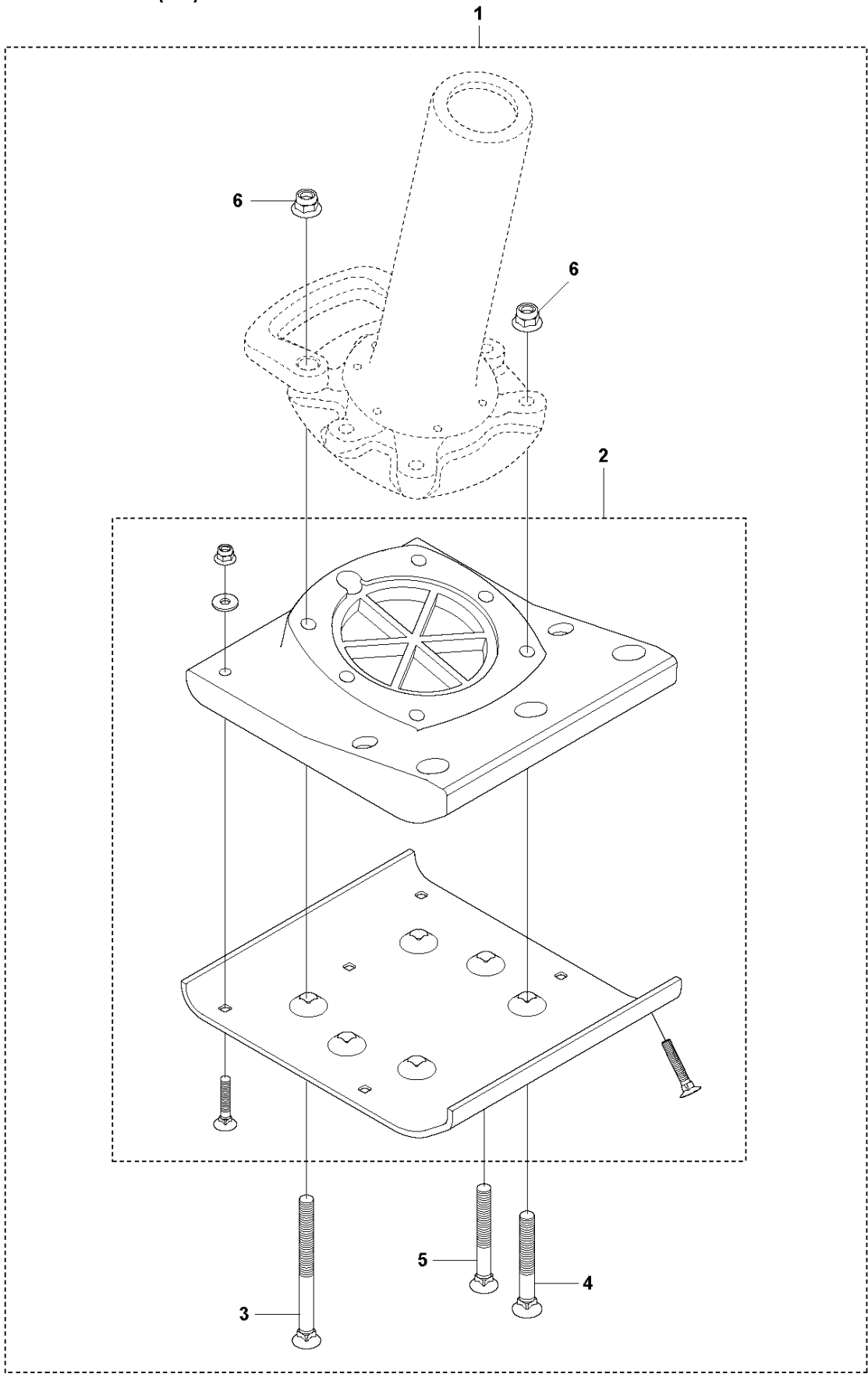


REPAIR KIT BELLOWS

LT 800, 967897001, 967897002, 2019-08

Ref	Part No	Description	Remark	QTY KIT
1	595 03 35-01	SCREW		2
2	594 34 96-01	HOSE CLAMP		2
3	594 65 20-01	BELLOWS		1

**M** LT 800  
FOOT 280 MM (11") REPAIR KIT



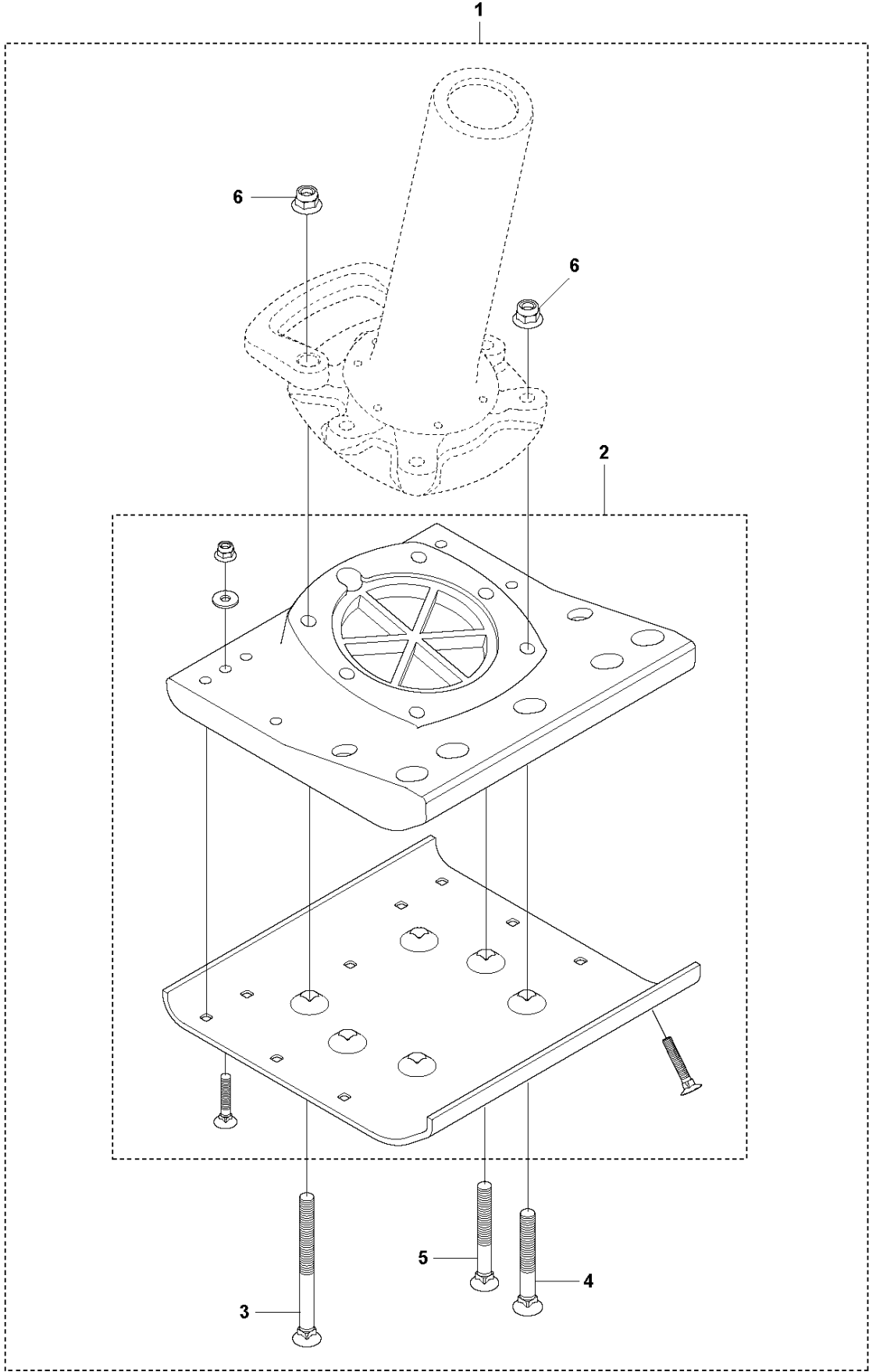


## FOOT 280 MM REPAIR KIT

LT 800, 967897001, 967897002, 2019-08

Ref	Part No	Description	Remark	QTY KIT	
1	594 21 14-01	REPAIR KIT	FOOT 280mm REPAIR KIT	1	1
2	594 19 34-01	FOOTPLATE	Ramming Foot Mount 11 Inch	1	1
3	594 12 24-01	BOLT	M12 x 150 mm, 10.9, DIN608	2	1
4	594 12 22-01	BOLT	M12 x 100 mm, 10.9, DIN608	2	1
5	594 12 23-01	BOLT	M12 x 110 mm, 10.9, DIN608	2	1
6	594 12 32-01	LOCK NUT	M12 x 1.75 mm A3K	6	1

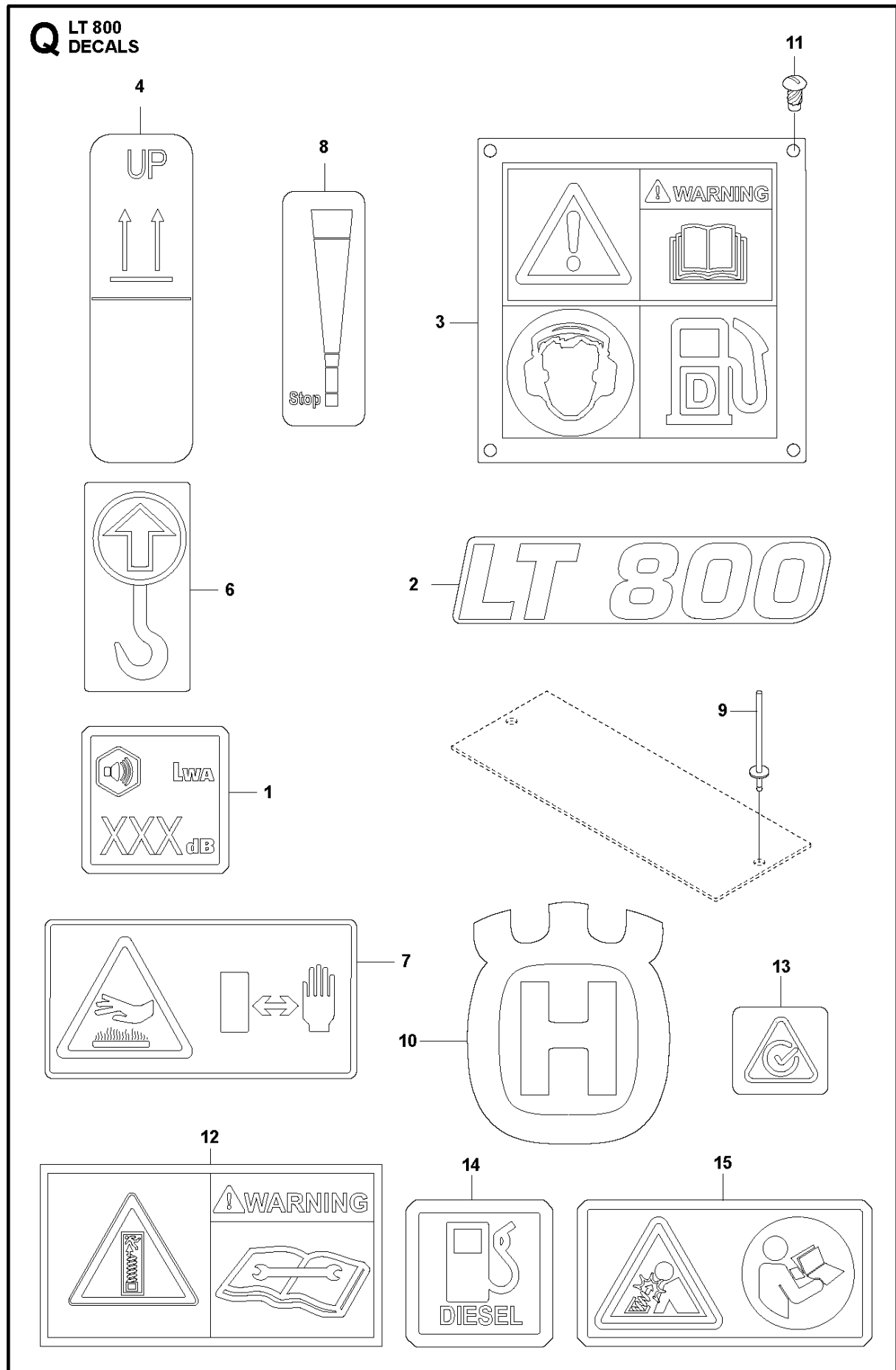
**N** LT 800  
FOOT 330 MM (13") REPAIR KIT



## FOOT 330 MM REPAIR KIT

LT 800, 967897001, 967897002, 2019-08

Ref	Part No	Description	Remark	QTY KIT	
1	594 21 41-01	PLATE	FOOT 330mm REPAIR KIT	1	1
3	594 12 24-01	BOLT	M12 x 150 mm, 10.9, DIN608	2	1
4	594 12 22-01	BOLT	M12 x 100 mm, 10.9, DIN608	2	1
5	594 12 23-01	BOLT	M12 x 110 mm, 10.9, DIN608	2	1
6	594 12 32-01	LOCK NUT	M12 x 1.75 mm A3K	6	1



## DECALS

LT 800, 967897001, 967897002, 2019-08

Ref	Part No	Description	Remark	QTY KIT
14	594 66 16-01	LABEL	Diesel	1
13	596 28 02-01	DECAL	Compliance	1
1	594 51 58-01	DECAL	Sound power level	1
2	595 12 14-01	LABEL	""LT 800""	2
3	595 46 42-01	PLATE	Ear protection, read instruction manual and diesel	1
4	595 18 79-01	DECAL	Keep upright	1
6	595 05 12-01	DECAL	Lifting point	2
7	594 53 32-01	DECAL	Hot surfaces	1
8	594 46 40-01	DECAL	Throttle indication	1
9	595 18 02-01	SCREW		4
10	594 14 23-01	LABEL		1
11	598187701	TBD		4
12	594 51 44-01	DECAL	Compressed spring package	1
15	595 51 26-01	DECAL		1