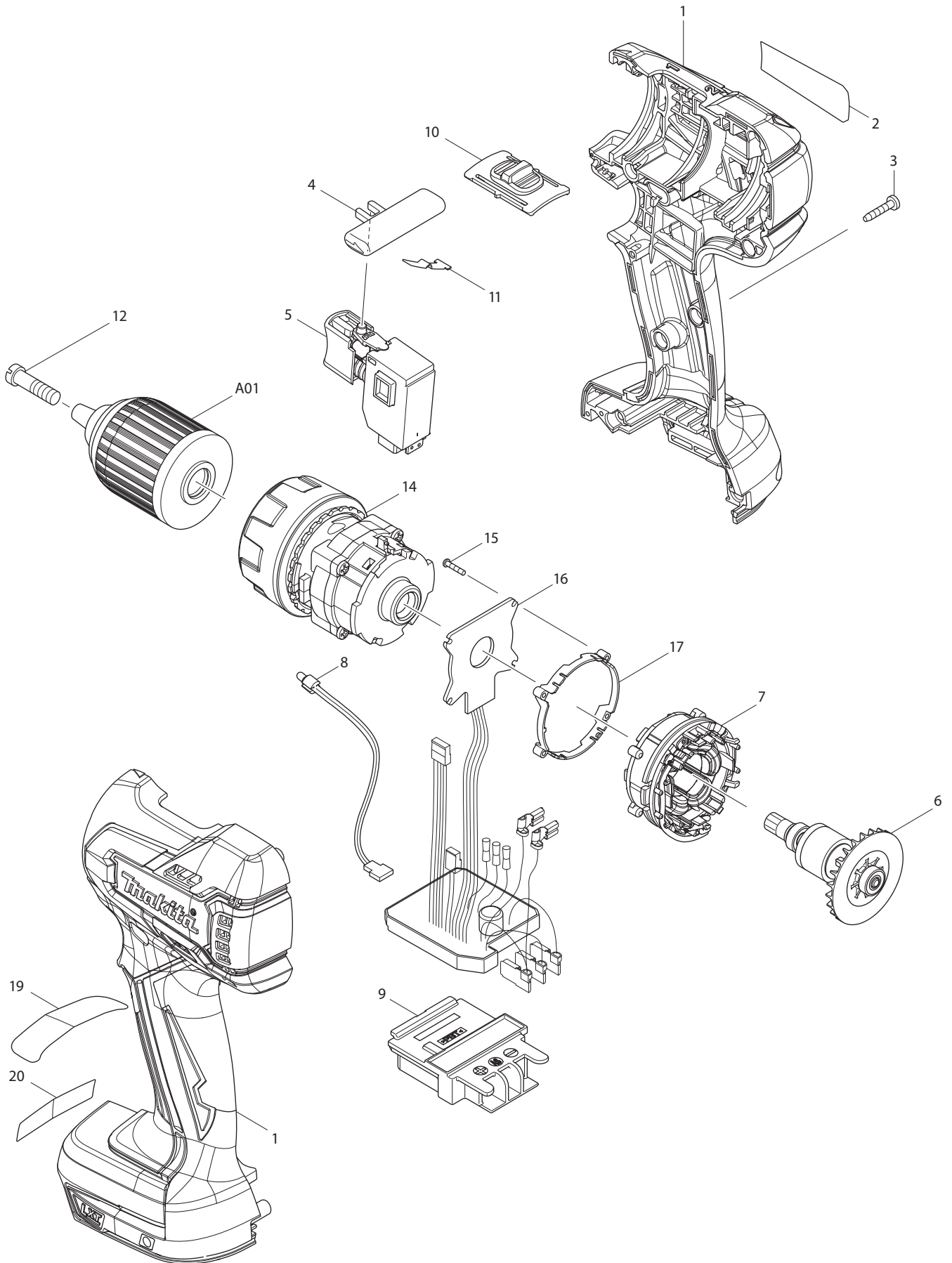




05 - 2012  
LXFD05 / LXFD05Z  
18V BRUSHLESS DRIVER DRILL KIT



Item No.	Type	Sub	Part No.	Description	Qty	Unit
1			187454-9	HOUSING SET	1	PC.
		INC.	263005-3	RUBBER PIN 6	2	PC.
2			897418-2	NAME PLATEF/LXFD05	1	PC.
3			266429-2	TAPPING SCREW 3X16	9	PC.
4			419250-0	F/R CHANGE LEVER	1	PC.
5			650689-0	SWITCH C3JW-2B	1	PC.
6			619304-5	ROTOR	1	PC.
7			629960-3	STATOR	1	PC.
8			620163-2	LED CIRCUIT	1	PC.
9			643860-3	TERMINAL	1	PC.
10			126180-5	SPEED CHANGE LEVER ASSEMBLY	1	PC.
		INC.	233438-6	COMPRESSION SPRING 4	2	PC.
11			232182-2	LEAF SPRING	1	PC.
12			251468-5	- FLAT HEAD SCREW M6X22	1	PC.
14			126188-9	GEAR ASSEMBLY	1	PC.
15			266786-8	+ PAN HEAD TAPPING SCREW 2X10	4	PC.
16			620162-4	CONTROLLER	1	PC.
17			687464-1	SUPPORT	1	PC.
19			898926-6	CAUTION LABEL EN/FR	1	PC.
20			898927-4	CAUTION LABEL SP	1	PC.
21			251314-2	+ SCREW M4X12 F/HOOK & BIT HOLDER	1	PC.
C01			873569-5	CARTON F/ LXFD05Z	1	PC.
<b><u>ACCESSORIES</u></b>						
A01			766008-1	KEYLESS DRILL CHUCK 13	1	PC.
A02			346449-3	HOOK	1	PC.
A03			784637-8	+ BIT 2-45	1	PC.
A04			194309-1	18V LI-ION BATTERY BL1815	1	PC.
			194428-3	18V LI-ION BATTERY BL1815 2PK	1	PK.
			194604-9	18V LI-ION BATTERY BL1815 10PK	1	PK.
			194205-3	18V LI-ION BATTERY BL1830	1	PC.
			194230-4	18V LI-ION BATTERY BL1830 2PK	1	PK.
			194288-3	18V LI-ION BATTERY BL1830 10PK	1	PK.
A05	1		DC18RA	CHARGER DC18RA	1	PC.
	2		DC18RC	CHARGER DC18RC	1	PC.
			DC18SD	CHARGER DC18SD	1	PC.
			DC18SE	AUTOMOTIVE CHARGER DC18SE	1	PC.
			DC24SC	CHARGER DC24SC	1	PC.
A06			821532-2	PLASTIC CARRYING CASE	1	PC.
A07			450128-8	BATTERY COVER	1	PC.
A08			452947-8	BIT HOLDER	1	PC.