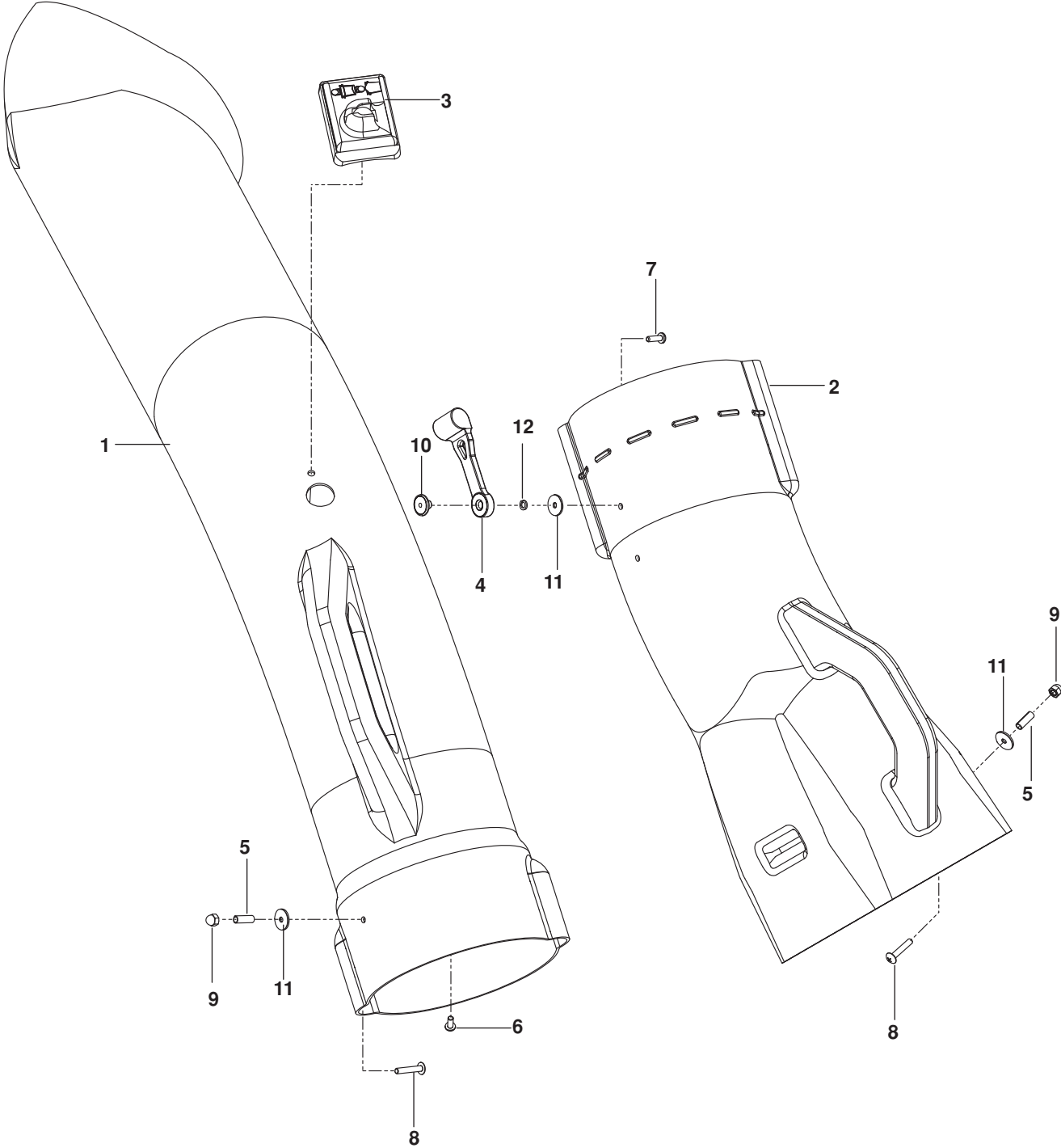




Parts Manual
Collection System
M-ZT 52 /966793002
M-ZT 61 /966793003

REPAIR PARTS

CHUTES



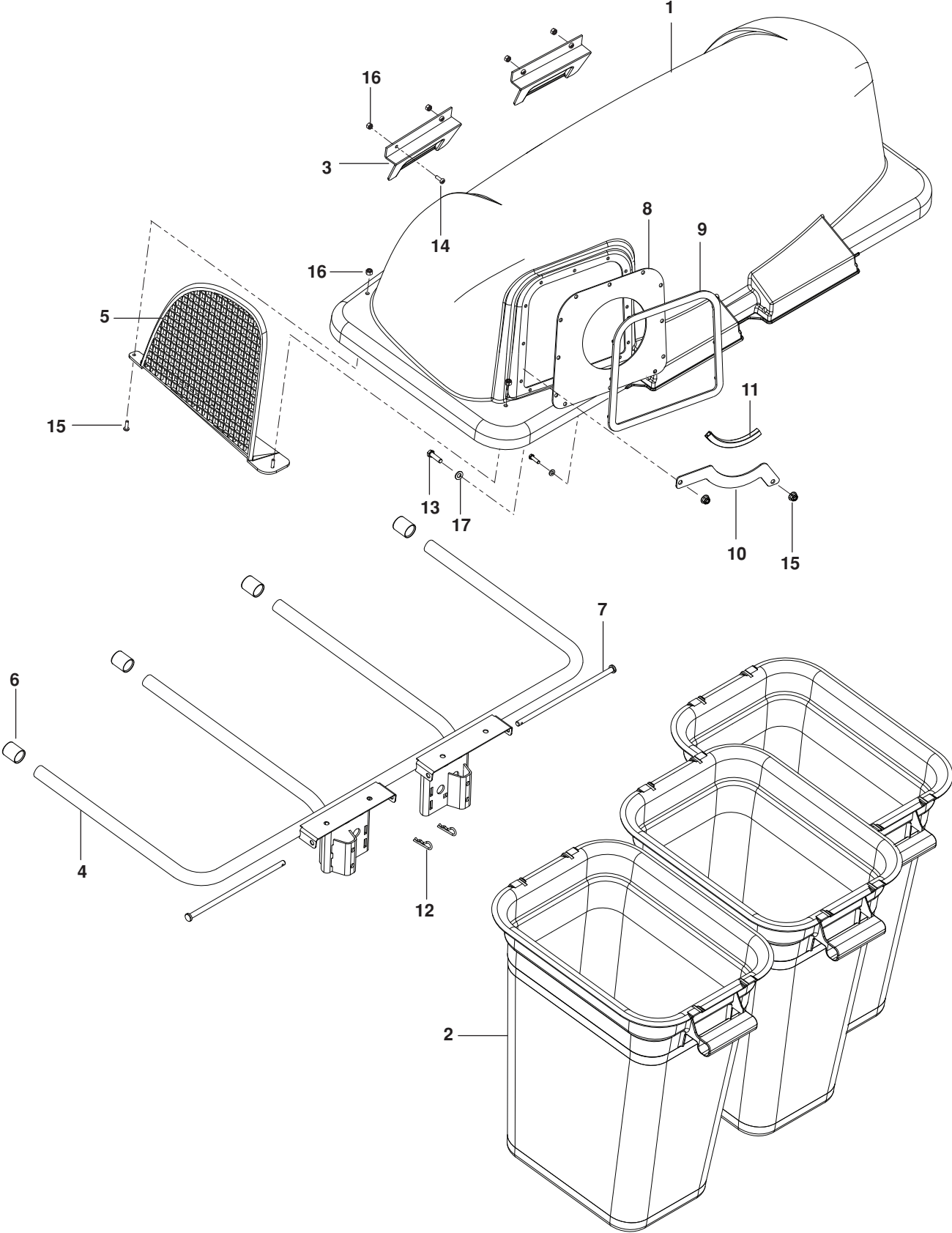
REPAIR PARTS

ITEM	PART NO.	QTY.	DESCRIPTION	ITEM	PART NO.	QTY.	DESCRIPTION
1..	539 108141....	1....	CHUTE, UPPER	7..	539 976952....	1....	SCREW #10-24 x 5/8
2..	539 130294....	1....	CHUTE, MIDDLE	8..	539 108083....	2....	SCREW #10-24 x 1 1/8
3..	539 130933....	1....	INDICATOR, BAG DUMP	9..	539 108086....	2....	NUT #10-24 ACORN
4..	539 108088....	1....	LATCH, HOOD	10..	539 108089....	1....	WELDNUT, PLATED
5..	539 108085....	2....	SPACER, SPLIT	11..	539 108084....	3....	WASHER 3/16 x 3/4 x 16 GA
6..	539 108081....	1....	SCREW #10-14 x 1/2	12..	539 109552....	2....	WASHER 3/16 LOCK

NOTE: ALL FASTENERS ARE GRADE 5 UNLESS OTHERWISE SPECIFIED.

REPAIR PARTS

BAGGER



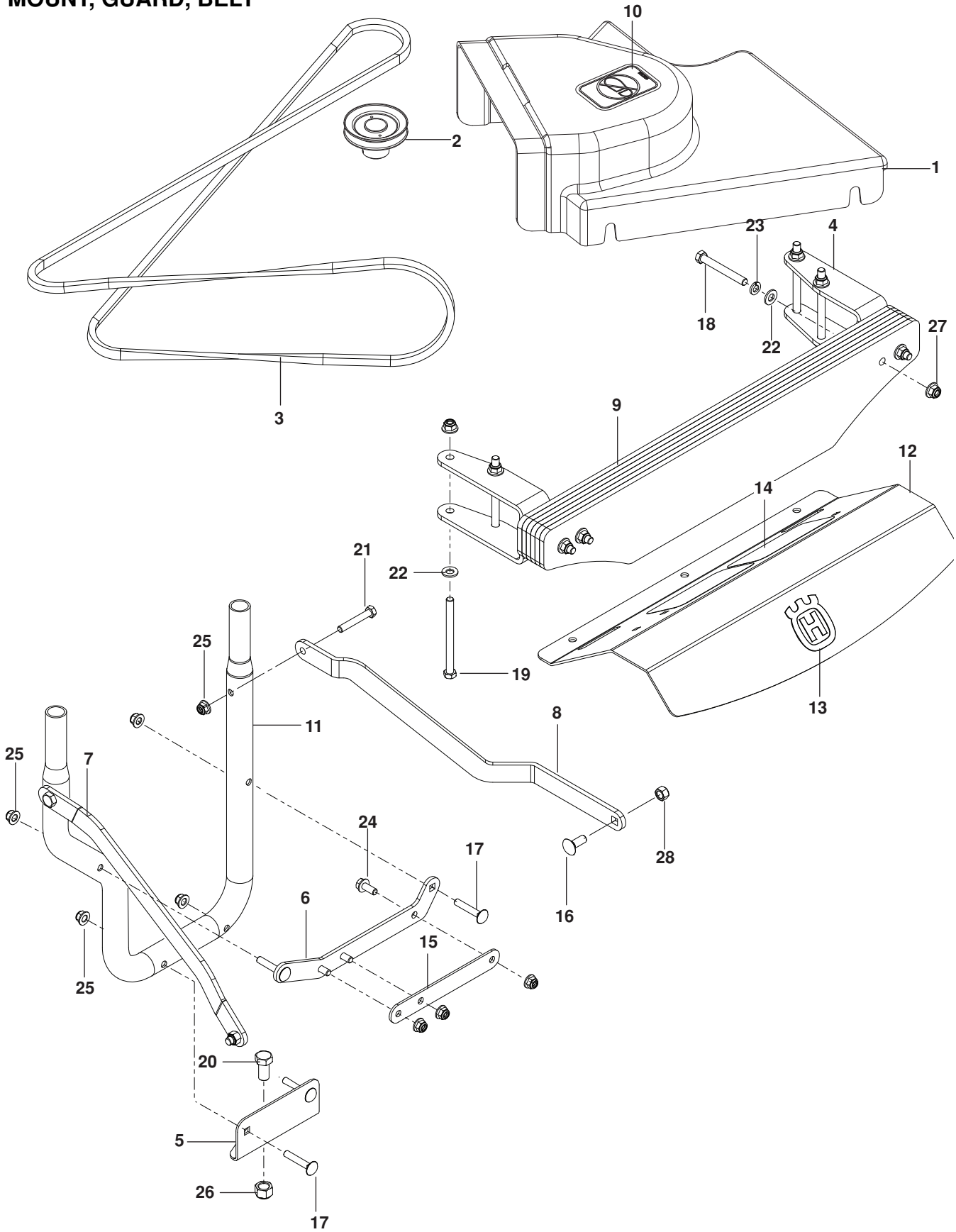
REPAIR PARTS

ITEM	PART NO.	QTY.	DESCRIPTION	ITEM	PART NO.	QTY.	DESCRIPTION
1..	532 195373....	1....	COVER	10..	539 110281....	1....	SUPPORT, CHUTE
2..	532 400226....	3....	CONTAINER, SOFT BAG	11..	539 112294....	1....	FLEX TRIM
3..	532 130895....	2....	HANDLE, BAGGER COVER	12..	539 108096....	2....	HAIR PIN
4..	532 176990....	1....	FRAME, BAGGER	13..	539 990627....	2....	HCS ⁵ / ₁₆ -18 x 1¼
5..	532 192709....	1....	SCREEN, COVER	14..	539 976952....	6....	SCREW #10-24 x ⁵ / ₈
6..	532 174083....	2....	PLUG, SPACER	15..	539 112899....	2....	NUT ⁵ / ₁₆ -18 HEX FLG NYLOC
7..	532 192786....	2....	PIN, HINGE	16..	539 976977....	6....	NUT #10-24 CROWNLOCK
8..	532 192550....	1....	SEAL, COVER	17..	539 990188....	4....	WASHER ⁵ / ₁₆ SAE
9..	532 192603....	1....	GASKET, COVER				

NOTE: ALL FASTENERS ARE GRADE 5 UNLESS OTHERWISE SPECIFIED.

REPAIR PARTS

MOUNT, GUARD, BELT



REPAIR PARTS

ITEM	PART NO.	QTY.	DESCRIPTION	ITEM	PART NO.	QTY.	DESCRIPTION
1..	539 130307....	1....	SHIELD, BELT, 52"	15..	576 221502....	1....	SPACER
	539 130308 ...	1	SHIELD, BELT, 61"	16..	539 990645....	2....	RHSNB $\frac{3}{8}$ -16 x 1
2..	539 130320....	1....	PULLEY, 52"	17..	539 990861....	4....	RHSNB $\frac{5}{16}$ -18 x $1\frac{3}{4}$
	539 130321 ...	1	PULLEY, 61"	18..	539 101341....	4....	HCS $\frac{3}{8}$ -16 x 3
3..	539 130347....	1....	BELT 52"	19..	539 102334....	4....	HCS $\frac{3}{8}$ -16 x $4\frac{1}{2}$
	539 130348 ...	1	BELT 61"	20..	539 990646....	1....	HCS $\frac{1}{2}$ -13 x 1
4..	584 812002....	1....	FOOT REST	21..	539 976937 ...	2 ...	HCS $\frac{5}{16}$ -18 x 2
5..	539 132192....	1....	MOUNT, HITCH	22..	539 990122 ...	8 ...	WASHER $\frac{3}{8}$ SAE FLT
6..	576 221402....	1....	BRACKET, SUPPORT	23..	539 990118 ...	4 ...	WASHER $\frac{3}{8}$ LK
7..	539 132198 ...	1 ...	STRAP, RT BLK	24..	525 464701 ...	3 ...	HHFS $\frac{5}{16}$ -18 x $\frac{3}{4}$
8..	575 953302....	1 ...	STRAP, LT BLK	25..	539 112899....	9....	NUT $\frac{5}{16}$ -18 HEX FLG NYLOC
9..	539 113232....	6....	PLATE, WEIGHT	26..	539 101331....	1....	NUT $\frac{1}{2}$ -13 HEX NYLOC
10..	522 989002....	2....	BRACKET, WEIGHT	27..	521 966501....	8....	NUT $\frac{3}{8}$ -16 HEX FLG NYLOC
11..	539 131091 ...	1 ...	TUBE, MOUNT	28..	539 976979...	2....	NUT $\frac{3}{8}$ -16 HEX NYLOC
12..	539 105743....	1....	DECAL, NO STEP		NOT SHOWN		
13..	532 428676....	1....	DECAL, CROWN		539 110290 ...	1	BLOCK, FOAM
14..	539 121322....	2....	ABRASIVE PAD				

NOTE: ALL FASTENERS ARE GRADE 5 UNLESS OTHERWISE SPECIFIED.