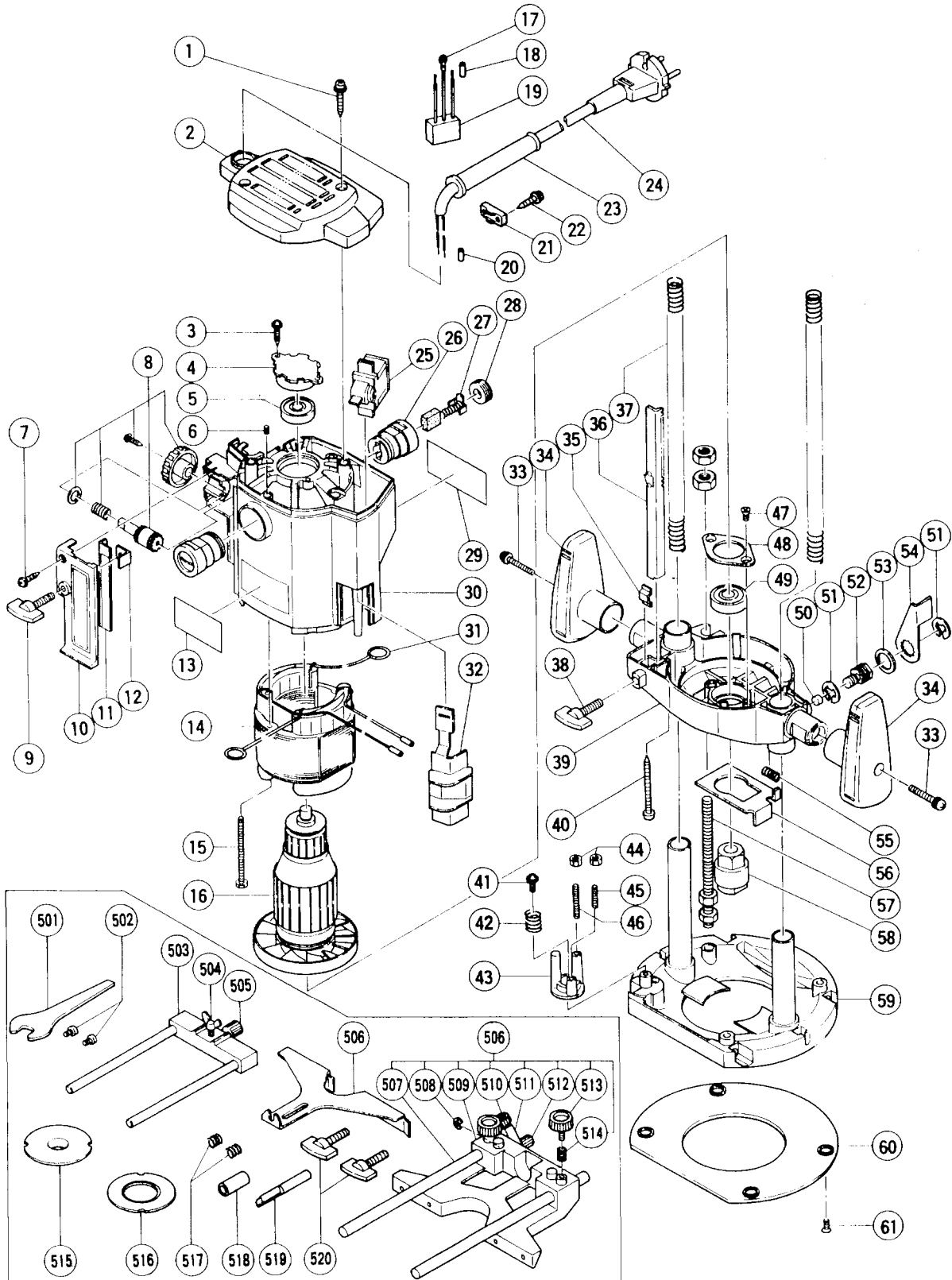


## ELECTRIC TOOL PARTS LIST

**ROUTER**

1989·1·20

**Model M12SA****M12SA(E1)**

## PARTS

M 12SA

ITEM NO.	CODE NO.	DESCRIPTION	NO. USED	REMARKS
1	956-636	TAPPING SCREW (W/WASHER) D4X25	2	
2	301-828	TOP COVER	1	
3	954-017	TAPPING SCREW D4X12	2	
4	961-443	BEARING BUSH	1	
5	620-0VV	BALL BEARING 6200VVCMP2S	1	
6	938-477	HEX. SOCKET SET SCREW M5X8	2	
7	930-446	TAPPING SCREW (W/WASHER) D4X16	1	
8	301-798	KNOB PINION	1	
9	301-801	WING BOLT M6X27	1	
10	301-802	FRONT COVER	1	
*	11	301-824	1	SCALE (MM)
*	11	301-825	1	SCALE (INCH)
	12	301-800	1	SCALE STOPPER
	13	301-827	1	HITACHI LABEL
*	14	340-174C	1	STATOR ASS'Y 110V-115V INCLUD.31
*	14	340-174D	1	STATOR ASS'Y 127V INCLUD.31
*	14	340-174E	1	STATOR ASS'Y 220V-230V INCLUD.31
*	14	340-174F	1	STATOR ASS'Y 230V-240V INCLUD.31
*	14	340-174K	1	STATOR ASS'Y 220V-230V INCLUD.31 FOR NZL,ITA,FRG,HOL,DEN
*	14	340-174G	1	STATOR ASS'Y 220V-230V INCLUD.31 FOR SAF,SWE,AUT,NOR
*	14	340-174H	1	STATOR ASS'Y 240V INCLUD.31 FOR GBR
*	14	340-174J	1	STATOR ASS'Y 110V INCLUD.31 FOR GBR
*	14	340-173	1	STATOR ASS'Y 100V INCLUD.31 FOR KOR
	15	961-400	2	HEX. HD. TAPPING SCREW D5X70
*	16	360-145C	1	ARMATURE 110V-115V
*	16	360-145D	1	ARMATURE 127V
*	16	360-145E	1	ARMATURE 220V-230V
*	16	360-145F	1	ARMATURE 240V
*	16	360-145G	1	ARMATURE 220V-230V FOR SAF,SWE,AUT,NOR
*	16	360-145H	1	ARMATURE 240V FOR GBR
*	16	360-145J	1	ARMATURE 110V-115V FOR GBR,CAN
*	17	961-419Z	1	TERMINAL FOR SUI,NZL,AUS,GBR,SAF,ITA,FRG,FRA,HOL,DEN,SWE,AUT,NOR
*	18	961-820	2	TUBE (D) FOR NOISE SUPPRESSOR
*	19	991-313	1	NOISE SUPPRESSOR FOR NZL,GBR,SAF,ITA,FRG,FRA,HOL,DEN,SWE,AUT,NOR
*	19	994-212	1	NOISE SUPPRESSOR FOR SUI
*	20	981-373	2	TUBE (D) FOR INA,SUR,FRA,SUI,USA,CAN,NZL,GBR,SAF,ITA,FRG,HOL,DEN,SWE,AUT,NOR
	21	937-631	1	CORD CLIP
	22	984-750	2	TAPPING SCREW (W/FLANGE) D4X16
*	23	953-327	1	CORD ARMOR D8.8
*	23	938-051	1	CORD ARMOR D10.1
*	24	500-201Z	1	CORD (CORD ARMOR D10.1)
*	24	500-247Z	1	CORD (CORD ARMOR D10.1) FOR SWE,NOR
*	24	500-248Z	1	CORD (CORD ARMOR D10.1) FOR SUI
*	24	500-234Z	1	CORD (CORD ARMOR D8.8) FOR ITA,FRG,HOL,DEN,AUT,INA,SUR,FRA,GRE
*	24	500-242Z	1	CORD (CORD ARMOR D10.1) FOR USA,CAN
*	24	500-226Z	1	CORD (CORD ARMOR D8.8) FOR NGU,NZL,FIJ
*	24	500-237Z	1	CORD (CORD ARMOR D8.8) FOR SAF,GBR
*	24	500-396Z	1	CORD (CORD ARMOR D10.1) FOR GBR
*	24	500-411Z	1	CORD (CORD ARMOR D10.1) FOR AUS
*	24	500-423Z	1	CORD 220V (CORD ARMOR D8.8) FOR SAU
*	24	500-223Z	1	CORD (CORD ARMOR D10.1) FOR SIN,KUW
*	24	500-245Z	1	CORD (CORD ARMOR D10.1) FOR SYR,ESP

\* : ALTERNATIVE PARTS

01-89



STANDARD ACCESSORIES

M 12SA

ITEM NO.	CODE NO.	DESCRIPTION	NO. USED	REMARKS	
	501	956-923	WRENCH 21MM	1	
	502	949-234	MACHINE SCREW M5X6 (10 PCS.)	2	
*	503	956-792	BAR HOLDER	1	EXCEPT FOR FRA,SUI,GBR
*	504	949-394	WING BOLT M6X10 (10 PCS.)	1	EXCEPT FOR FRA,SUI,GBR
*	505	956-793	FEED SCREW	1	EXCEPT FOR FRA,SUI,GBR
*	506	956-797	STRAIGHT GUIDE	1	
*	506	956-914	STRAIGHT GUIDE (A)	1	INCLUD.507-514 FOR FRA,SUI,GBR
*	507	956-916	GUIDE BAR	2	FOR FRA,SUI,GBR
*	508	673-489	RETAINING RING (E-TYPE) FOR D5 SHAFT	1	FOR FRA,SUI,GBR
*	509	956-915	STRAIGHT GUIDE (A)	1	FOR FRA,SUI,GBR
*	510	961-516	KNOB BOLT M6X7	1	FOR FRA,SUI,GBR
*	511	956-917	SCREW HOLDER	1	FOR FRA,SUI,GBR
*	512	956-918	FEED SCREW(A)	1	FOR FRA,SUI,GBR
*	513	960-058	KNOB BOLT M6X20	2	FOR FRA,SUI,GBR
*	514	947-859	LOCK SPRING	2	FOR FRA,SUI,GBR
	515	956-790	TEMPLATE GUIDE D18	1	
	516	956-756	TEMPLATE GUIDE ADAPTER	1	
	517	947-859	LOCK SPRING	2	
*	518	956-798	CHUCK SLEEVE 12X6	1	
*	518	956-799	CHUCK SLEEVE 12X8	1	
*	518	956-930Z	CHUCK SLEEVE 12X3/8"	1	
*	518	956-927Z	CHUCK SLEEVE 1/2"X1/4"	1	
*	518	956-928Z	CHUCK SLEEVE 1/2"X3/8"	1	
*	518	956-913	CHUCK SLEEVE 10X1/4"	1	FOR FRA,SUI
*	519	986-865	STRAIGHT BIT (TCT) D8X8	1	
*	519	956-817Z	STRAIGHT BIT (TCT) D1/2"X1/2"	1	
	520	301-806	WING BOLT M6X15	2	

OPTIONAL ACCESSORIES

ITEM NO.	CODE NO.	DESCRIPTION	NO. USED	REMARKS	
	601	986-850	DOUBLE FLUSH TRIMMING BIT (TCT) D12X12	1	
	602	986-851	DOUBLE FLUSH TRIMMING BIT (TCT) D8X8	1	
	603	986-852	DOUBLE FLUSH TRIMMING BIT (TCT) D6X6	1	
	604	986-853	FLUSH TRIMMING BIT (TCT) D12X12	1	
	605	986-854	FLUSH TRIMMING BIT (TCT) D8X8	1	
	606	986-855	FLUSH TRIMMING BIT (TCT) D6X6	1	
	607	986-856	STRAIGHT BIT (TCT) D12X12	1	
	608	986-857	STRAIGHT BIT (TCT) D12X10	1	
	609	986-858	STRAIGHT BIT (TCT) D6X6	1	
	610	986-859	ROUND OVER BIT (TCT) D12XR8.0	1	
	611	986-860	ROUND OVER BIT (TCT) D12XR6.0	1	
	612	986-861	ROUND OVER BIT (TCT) D12XR4.5	1	
	613	986-862	CHAMFERING BIT (TCT) 45° D6X24	1	
	614	986-863	DOVETAIL BIT 8/D15	1	
	615	986-864	DOVETAIL BIT 6/D12	1	
	616	956-928Z	CHUCK SLEEVE 1/2"X3/8"	1	
	617	956-931Z	CHUCK SLEEVE 1/2"X10	1	
	618	956-759	CHUCK SLEEVE 1/2"X8	1	
	619	956-932Z	TEMPLATE GUIDE D20	1	
	620	956-933Z	TEMPLATE GUIDE D27	1	
	621	956-934Z	TEMPLATE GUIDE D30	1	
	622	956-794	TRIMMER GUIDE ASS'Y	1	

\* : ALTERNATIVE PARTS