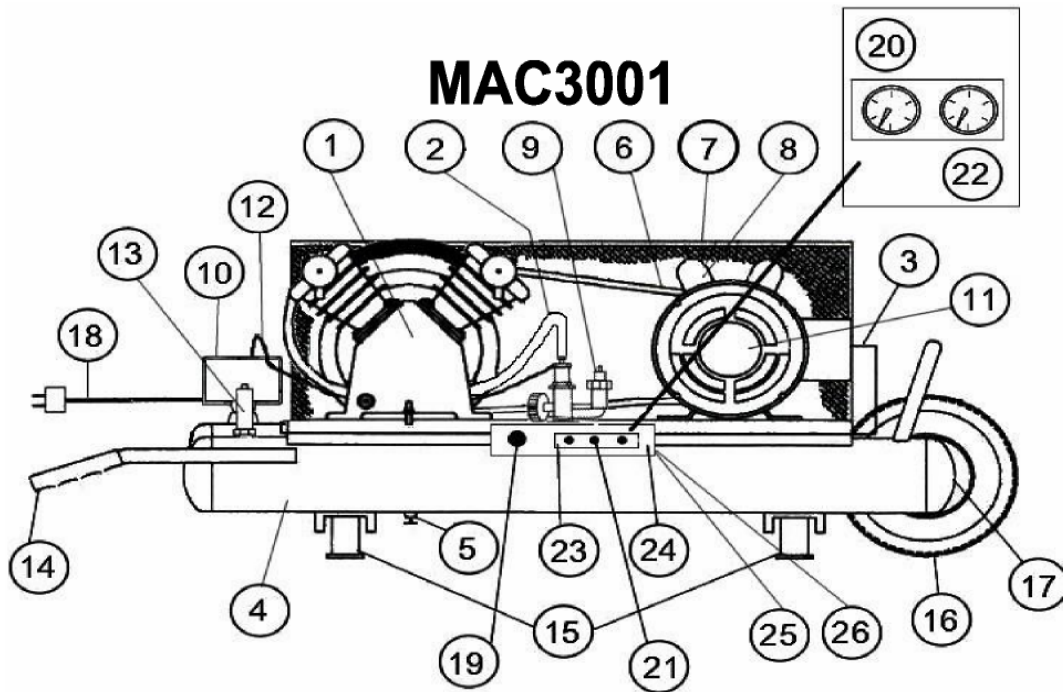




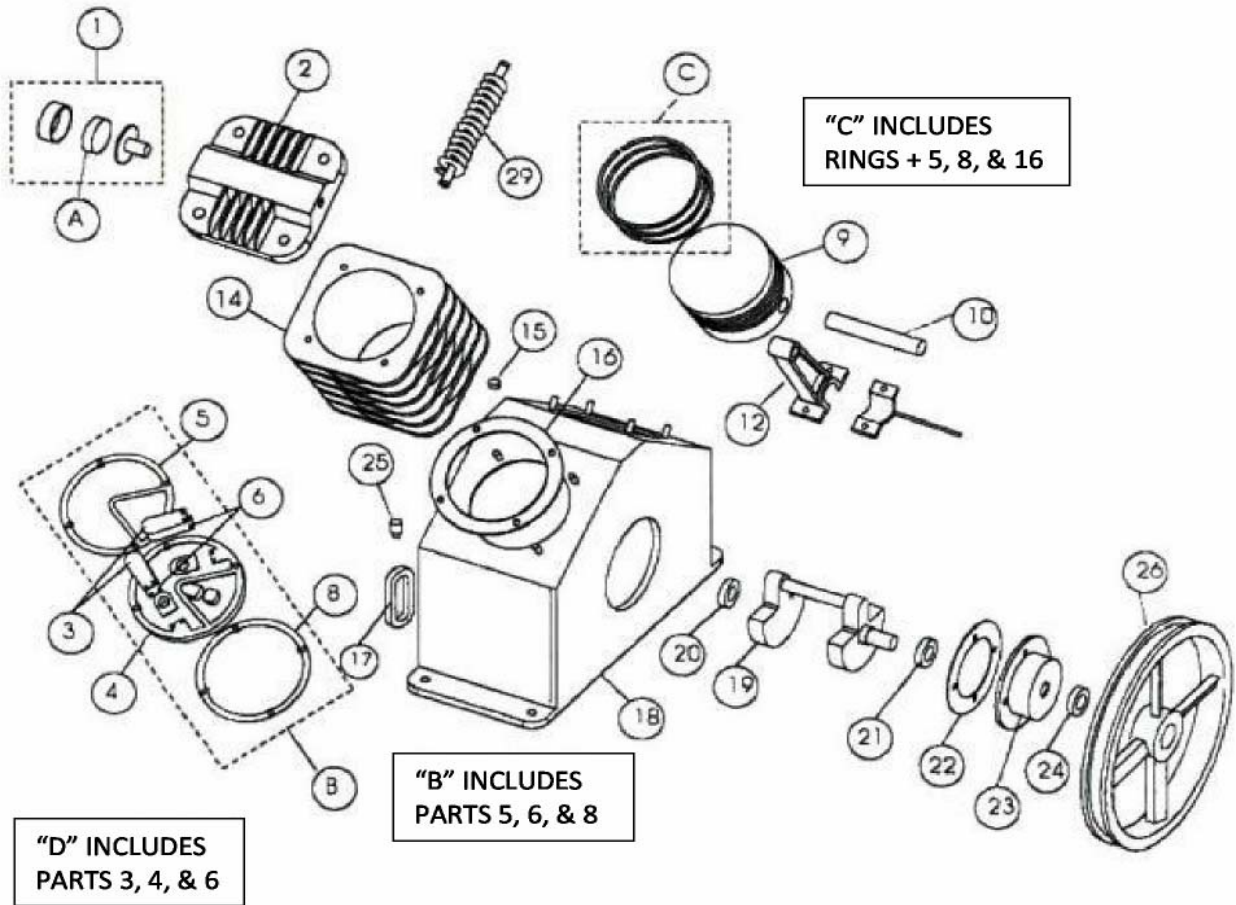
10 - 2010
MAC3001
3HP 8GAL COMPRESSOR



Item No.	Type	Sub	Part No.	Description	Qty	Unit
1			PV01A	COMPRESSOR W/ FLYWHEEL (See Page 3 ~)	1	PC.
2			TU-20-AL	20.75" DISCHARGE TUBE W/ FITTINGS (OLD# TU-15-AL)	1	PC.
3			12/3-42-TT50	WIRING HARNESS	1	PC.
4			8TT35X5-M	AIR RECEIVER	1	PC.
5			IH1850	DRAIN COCK	2	PC.
6			4L530	V-BELT	1	PC.
7			BGC	BELT GUARD	1	PC.
8			EM0.0-36-1ODV	ELECTRIC MOTOR	1	PC.
9			NDC29-M	PILOT UNLOADER/CHECK VALVE	1	PC.
10			21UCBDB-CH	PRESSURE SWITCH	1	PC.
11			MA30X5/8	MOTOR PULLEY	1	PC.
12			TU1/4BLK	UNLOADER TUBE 30" W/ FITTING	3	PC.
13			PSV1/4-150	SAFETY VALVE	1	PC.
14			435017	HANDLE GRIP	2	PC.
15			TT-FOOT	VIBRATION DAMPER	4	PC.
16			TT-WHEEL	PNEUMATIC WHEEL	1	PC.
17			WA1001	AXLE	1	PC.
18			12/3-72-PT	POWER CORD W/ PLUG	1	PC.
19			410029	REGULATOR	1	PC.
20			411029	PRESSURE/REGULATOR GAUGE	1	PC.
21		1	447013	QUICK COUPLER (1/4")	3	PC.
		2	10TT-8	QUICK COUPLER (1/4")	3	PC.
22			411029	TANK GAUGE	1	PC.
23			CPL-MAN	TRIPLE MANIFOLD BLOCK	1	PC.
24		1	CTRLPAN	CONTROL PANEL	1	PC.
		2	CNTRLPAN	CONTROL PANEL	1	PC.

Item No.	Type	Sub	Part No.	Description	Qty	Unit
25			10TT-12	1/8" NPT ELBOW (FOR COUPLER)	3	PC.
26			10TT-13	1/4" NPT ELBOW (FOR REGULATOR)	1	PC.
27			TT-HOSE	REGULATOR HOSE (YELLOW)	1	PC.
30			353001	SCREW F/ PRESSURE/REGULATOR GAUGE	1	PC.
31			371001	NUT F/PRESSURE/REGULATOR GAUGE	1	PC.
32	Opt.		CNTLPANASSY	CONTROL PANEL ASSY	1	PC.
		INC.		Item No. 12, 19, 20, 21, 23, 24, 27		
100			001024	SCREW (FOR TT-FOOT)	4	PC.

**10-2010
PV01A
COMPRESSOR WITH FLYWHEEL**



Item No.	Type	Sub	Part No.	Description	Qty	Unit
1	2		MAIF35	INTAKE FILTER ASSY W/O RETAIL PACKAGING	2	PC.
		INC.	82513-0505	BUTTERFLY NUT	1	PC.
		INC.	----	GASKET	1	PC.
		INC.	81501-030845	UNLOADER TUBE 30" W/ FITTING - Not for MAC3001	4	PC.
2			51121-0101	CYLINDER HEAD	2	PC.
3			51121-3102	LIFT LIMITER - DISCHARGE VALVE PLATE	2	PC.
4			51121-2101	VALVE SEAT	2	PC.
5			51121-2105	VALVE SEAT TO HEAD GASKET	2	PC.
6			51121-2103	DISCHARGE VALVE PLATE	4	PC.
8			51121-2104	VALVE SEAT TO CYLINDER GASKET	2	PC.
9			52121-5101	PISTON	2	PC.
10			51121-5112	PISTON PIN C/W SNAP RINGS	2	PC.
12	1		51121-5120	QUICK COUPLER (1/4")	2	PC.
	2		10TT-8	QUICK COUPLER (1/4")	2	PC.
14			52121-4101	CYLINDER	2	PC.
15			51111-4719	OIL FILLER CAP	1	PC.
16			51121-4103	CYLINDER TO CRANKCASE GASKET	2	PC.
17			51111-4770	OIL SIGHT GLASS C/W GASKET	1	PC.
18			51121-4701	CRANKCASE	1	PC.
19			51121-4601	CRANKSHAFT	1	PC.
20			83501-6205	FRONT BEARING	1	PC.

Item No.	Type	Sub	Part No.	Description	Qty	Unit
21			83501-6204	REAR BEARING	1	PC.
22			51121-4704	CRANKCASE TO REAR BEARING HOUSING GASKET	1	PC.
23			51121-4703	REAR BEARING HOUSING	1	PC.
24			51121-4708	OIL SEAL	1	PC.
25			51111-4761	CRANKCASE BREATHER	1	PC.
26			51121-6601	FLYWHEEL C/W FASTENERS	1	PC.
29			51121-7710	CONNECTING (INTERSTAGE) TUBING	1	PC.
Misc.			STREL1/4	1/4" STREET ELBOW (OIL DRAIN)	1	PC.
Misc.			83610-113025	REAR BEARING SNAP RING	1	PC.
Misc.			51121-7710	INTERSTAGE "Y" FITTING	1	PC.
Misc.			51112-7701	INTERSTAGE "ELBOW" FITTING	1	PC.
A			MAIF35E	INTAKE FILTER ELEMENT	2	PC.
B			101000-151	VALVE REPAIR KIT	2	PC.
	INC.		51121-2105	VALVE SEAT TO HEAD GASKET (Item 5)	1	PC.
	INC.		51121-2103	DISCHARGE VALVE PLATE (Item 6)	2	PC.
	INC.		51121-2104	VALVE SEAT TO CYLINDER GASKET	1	PC.
	INC.		----	INTAKE VALVE PLATE (N/A as Individually)	1	PC.
	INC.		50000-2000	VALVE PLATE SCREWS	6	PC.
C			101000-255	RING REPAIR KIT	2	PC.
	INC.		51121-2105	VALVE SEAT TO HEAD GASKET (Item 5)	1	PC.
	INC.		51121-2104	VALVE SEAT TO CYLINDER GASKET (Item 8)	1	PC.
	INC.		51121-4103	CYLINDER TO CRANKCASE GASKET (Item 16)	1	PC.
	INC.		----	COMPRESSION RINGS (N/A as individually)	2	PC.
	INC.		----	OIL CONTROL RING (N/A as individually)	1	PC.
D			51121-2100	VALVE PLATE ASSY	2	PC.
	INC.		51121-2103	DISCHARGE VALVE PLATE (Item 6)	2	PC.
	INC.		51121-3101	METAL TRIANGLE	2	PC.
	INC.		51121-3102	LIFT LIMITER - DISCHARGE VALVE PLATE (Item 3)	1	PC.
	INC.		51121-2101	VALVE SEAT (Item 4)	1	PC.
	INC.		50000-2000	VALVE PLATE SCREW	4	PC.