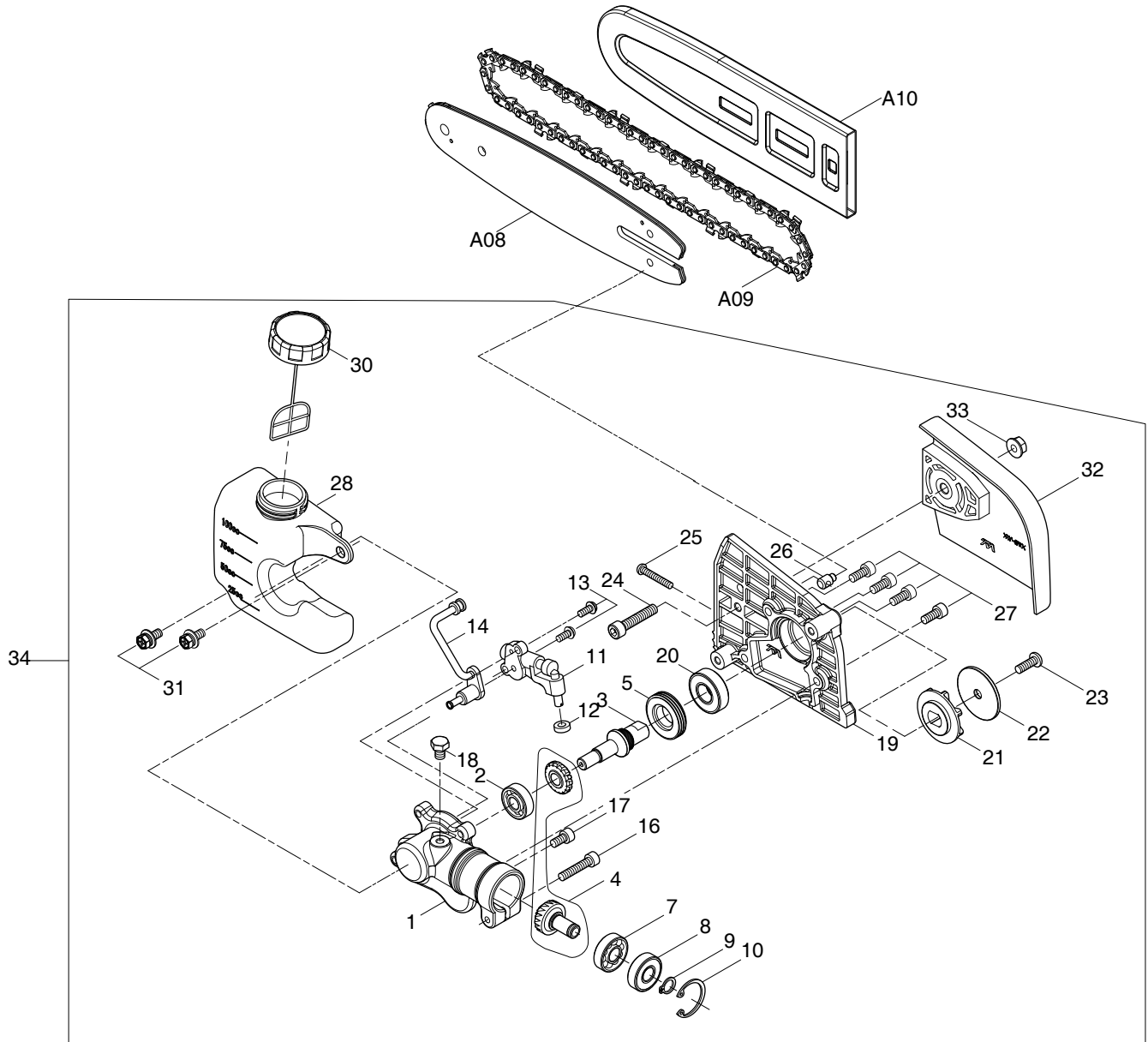


**DOLMAR**

**PARTS BREAKDOWN**

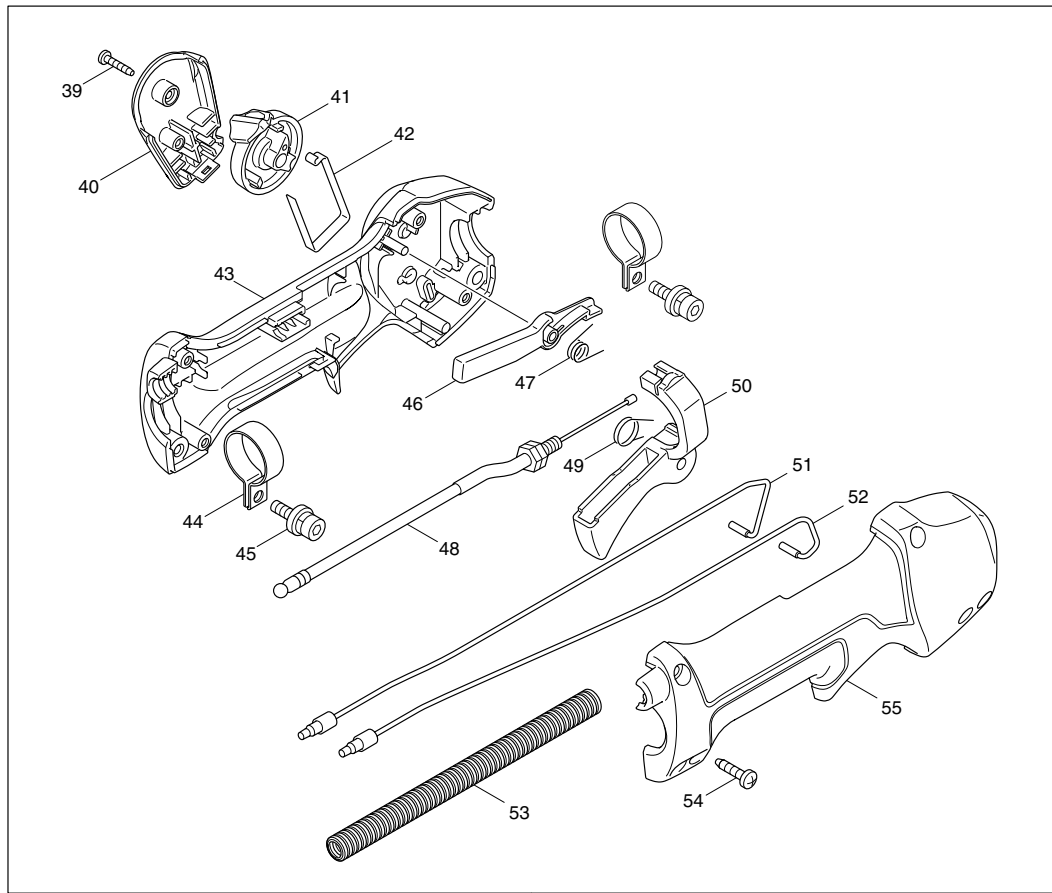
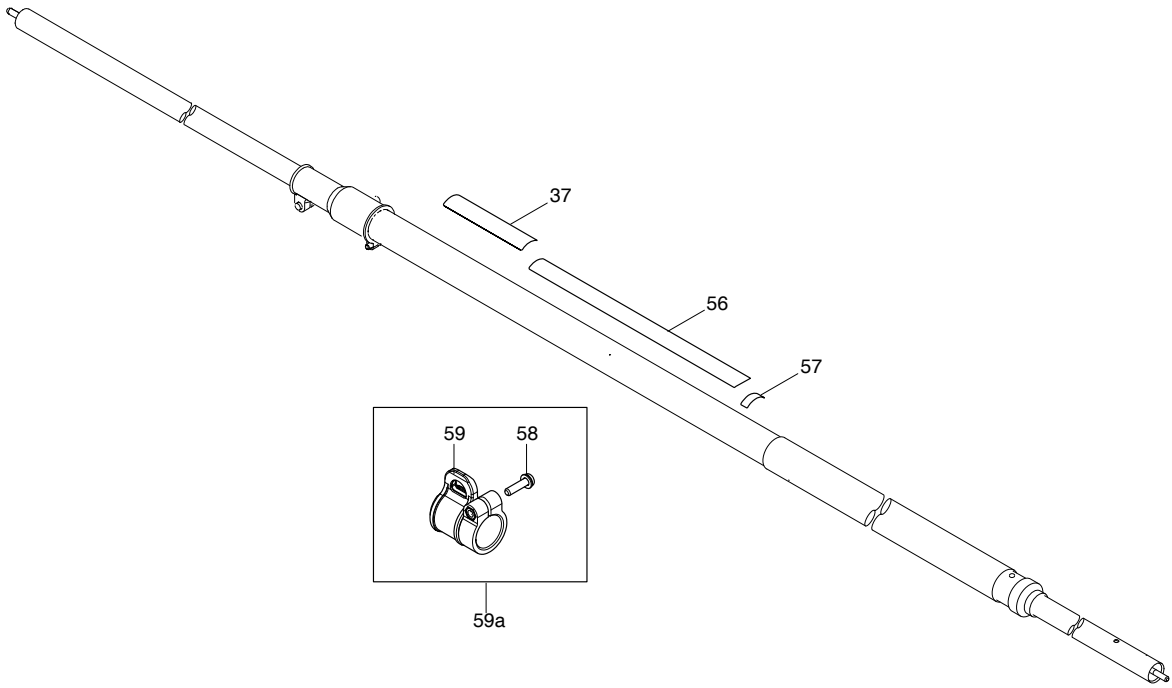
**ME-246.4**



Products with multiple versions are listed in subsiding order with the newest version on top not indented.

Corresponding bulletins are attached. Select bulletin name or attachment to view.

Section	Fig. No.	Part No.	Description	Désignation	ME-246.4	Tech Bulletin	Notes
1	1	381023768	GEAR CASE	CARTER D'ENGRENAGES	1		
1	2	381023769	BALL BEARING	ROULEMENT À BILLES	1		608
1	3	381023770	GEAR SHAFT	ARBRE	1		
1	4	381023771	BEVEL GEAR SET	REDUCT.ANGULAIRE CPL.	1		
1	5	381023772	WORM WHEEL	ROUE HÉLICOÏDALE	1		
1	7	381023773	BALL BEARING	ROULEMENT À BILLES	1		609
1	8	381023774	BALL BEARING	ROULEMENT À BILLES	1		609Z
1	9	367961005	RETAINING RING	CIRCLIP	1		S-9
1	10	367962103	RETAINING RING	CIRCLIP	1		R-24
1	11	381023775	OIL PUMP	POMPE À HUILE	1		
1	12	381023776	SEAL	JOINT	1		
1	13	381023777	PAN HEAD SCREW	VIS À TÊTE CYLINDRIQUE	2		M4X10
1	14	381023778	OIL PIPE ASS'Y	TUBE D'HUILE	1		
1	16	660922242	HEX. SOCKET HEAD BOLT	VIS HEXAGONAL	1		M5X25
1	17	660922207	HEX. SOCKET HEAD BOLT	VIS HEXAGONAL	1		M5X10
1	18	381023779	HB BOLT	BOULON	1		M6X8
1	19	381023780	GEAR CASE	CARTER D'ENGRENAGES	1		
1	20	381023781	BALL BEARING	ROULEMENT À BILLES	1		6001DDW
1	21	381023782	SPROCKET	PIGNON	1		
1	22	381023783	SPROCKET WASHER	RONDELLE	1		
1	23	381023784	H.S. BOTTON HEAD SCREW	VIS	1		M6X15
1	24	381922352	HEX. SOCKET HEAD BOLT	VIS HEXAGONAL	1		M6X30
1	25	381023786	TENSIONING SCREW	VIUS DE TENSION	1		M4X25
1	26	381023787	TENSIONING NUT	ECROU DE TENSION	1		
1	27	367922212	HEX. SOCKET HEAD BOLT	VIS HEXAGONAL	4		M5X12
1	28	381023788	OIL TANK ASS'Y	RÉSERVOIR D' HUILE	1		
1	30	381023789	OIL TANK CAP ASSY.	BOUCHON RES. D' HUILE CPL.	1		
1	31	381023790	H.S.H.BOLT	VIS	2		M5X12SW
1	32	381023791	CHAIN COVER	PROTÈGE-PIGNON	1		
1	33	381023792	FLANGE NUT	ECROU	1		M6
1	34	142615-8	CHAIN SAW ATTACHMENT	DISPOSITIF DE TRONCON-NEUSES	1		
1	A08	381165700	GUIDE BAR	GUIDE-CHAÎNE	1		25 CM-10"
1	A09	381196725	SAW CHAIN SET	CHAÎNE, JEU	1		25 CM-10"
1	A10	660452094	CHAIN PROTECTION	PROTECTION CHAÎNE	1		25 CM

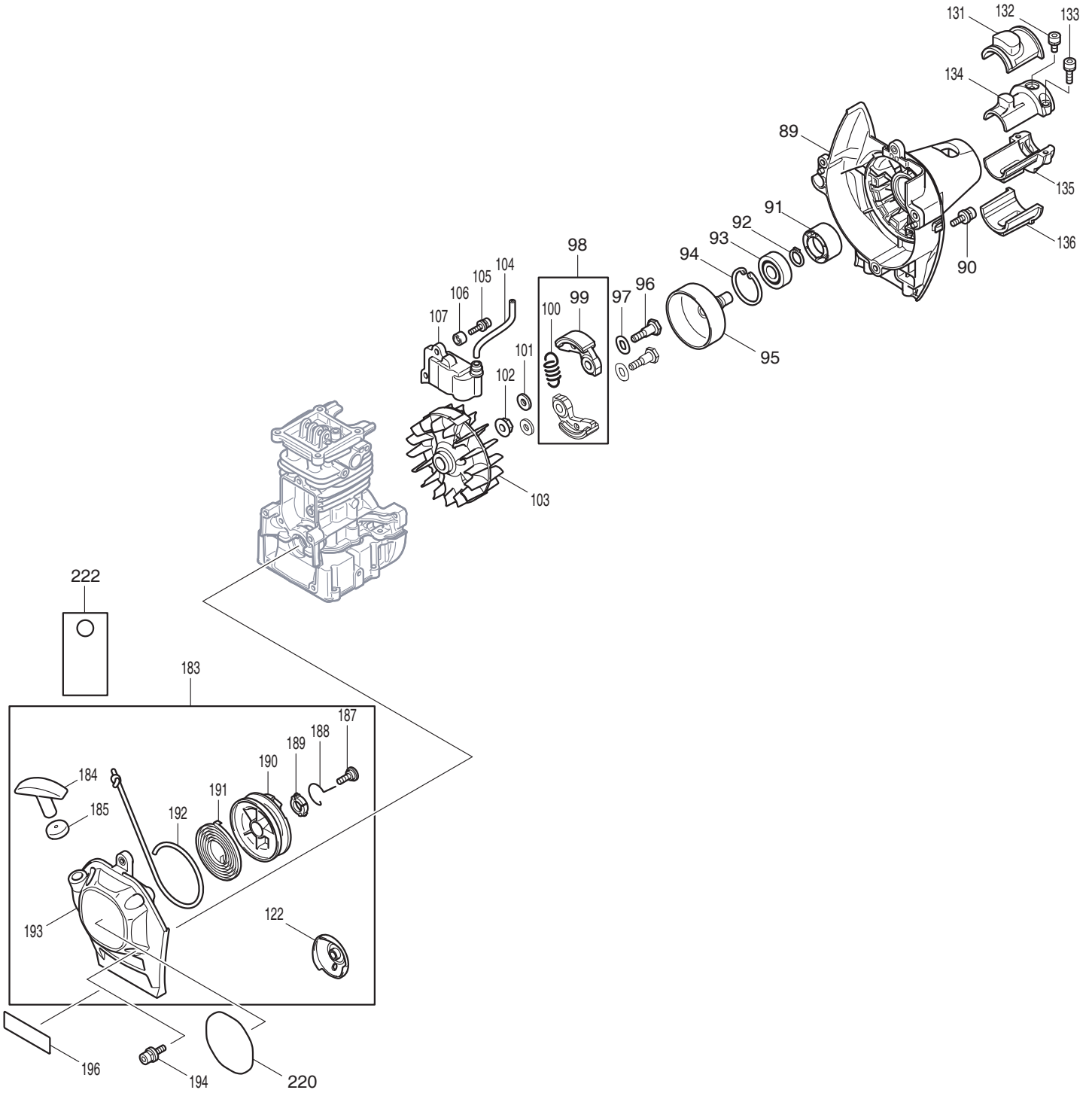


38

Products with multiple versions are listed in subsiding order with the newest version on top not indented.

Corresponding bulletins are attached. Select bulletin name or attachment to view.

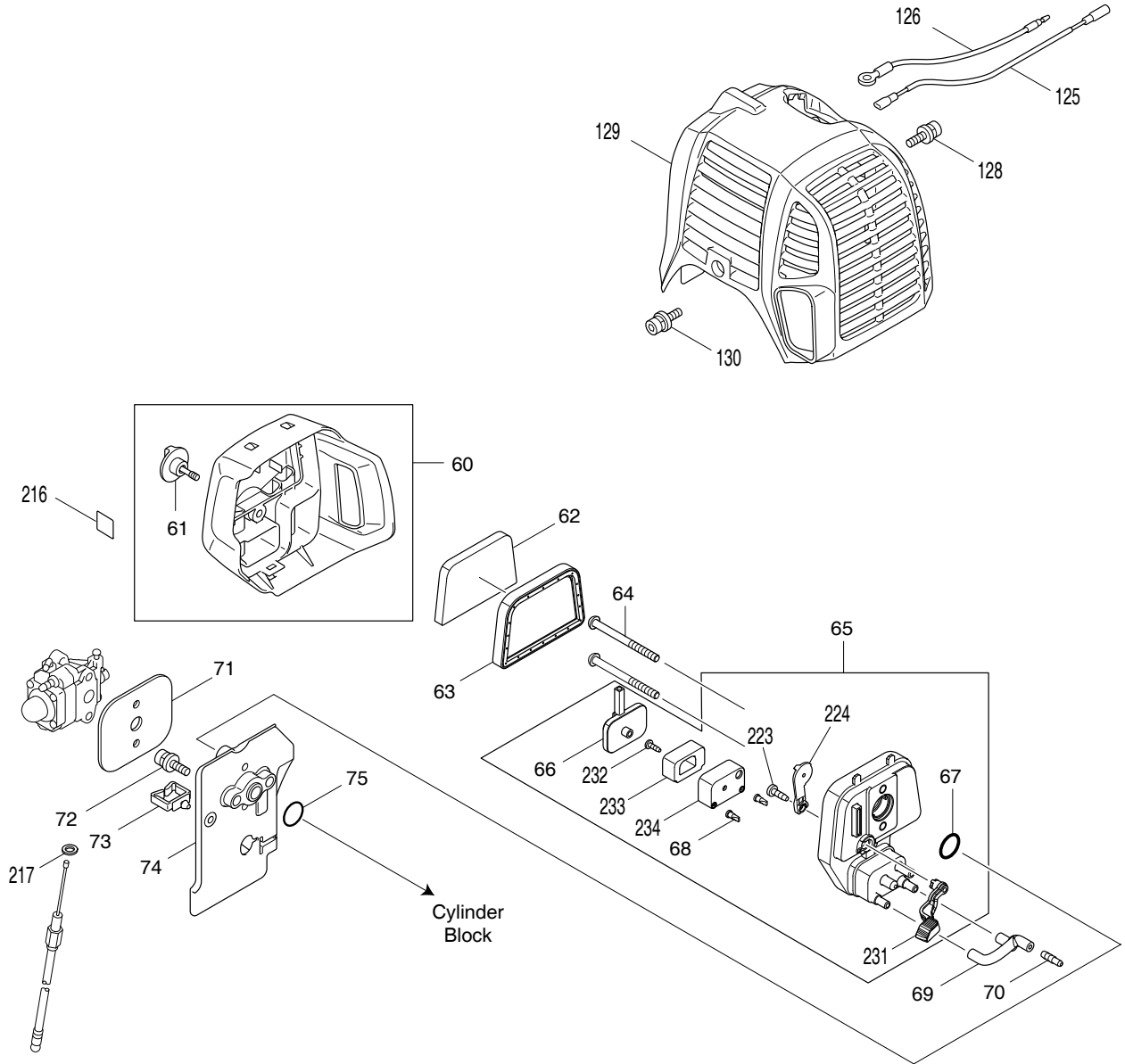
Section	Fig. No.	Part No.	Description	Désignation	ME-246.4	Tech Bulletin	Notes
2	38	126488-7	CONTROL LEVER ASS'Y	LEVIER DE RÉGLAGE, CPL.	1		
2	39	367266130	TAPPING SCREW BIND TP	VIS TARAUDEUSE	1		M3X16
2	40	367451595	SWITCH COVER	COUVERCLE COMMUTATEUR	1		
2	41	367451594	SWITCH LEVER	LEVIER DU COUPE CIRCUIT	1		
2	42	367232251	LEAF SPRING	LAME RESSORT	1		
2	43	367188832	LEVER CASE, SET	POIGNÉE, JEU	1		
2	44	367346248	CLAMP	COLLIER DE SERRAGE	2		
2	45	367922218	H.S.H.BOLT WITH WR	VIS	2		M5X14
2	46	367451593	LOCK LEVER	LEVIER DE VERROUILLAGE	1		
2	47	367233541	TORSION SPRING	RESSORT À TORSION	1		
2	48	367168571	CONTROL CABLE	CÂBLE BOWDEN	1		
2	49	367233540	TORSION SPRING	RESSORT À TORSION	1		
2	50	455313-8	THROTTLE LEVER	LEVIER D' ACCÉLÉRRATION	1		
2	51	367638714	LEAD UNIT	CÂBLE	1		
2	52	367638713	LEAD UNIT	CÂBLE	1		
2	53	367452071	CORRUGATED TUBE	TUBE À SOUFFLETS	1		
2	54	660266326	SCREW	VIS	4		M4X18
2	55	367188832	LEVER CASE, SET	POIGNÉE, JEU	1		
2	58	367911233	PAN HEAD SCREW	VIS À TÊTE CYLINDRIQUE	1		M5X20
2	59	168478-7	HANGER	ATTACHE DE BRETTELE	1		
2	59A	195143-2	HANGER SET	ATTACHE DE BRETTELE, JEU	1		INC 58



Products with multiple versions are listed in subsiding order with the newest version on top not indented.

Corresponding bulletins are attached. Select bulletin name or attachment to view.

Section	Fig. No.	Part No.	Description	Désignation	ME-246.4	Tech Bulletin	Notes
3	60	381126202	AIR CLEANER COVER ASSY.	COUVERCLE DE FILTRE A AIR CPL.	1		
3	61	374265791	THUMB SCREW	VIS À OREILLES	1		M4
3	62	367443171	ELEMENT AIR CLEANER	FILTRE À AIR	1		
3	63	367443169	ELEMENT AIR CLEANER	FILTRE À AIR	1		
3	64	367266618	H.S.BUTTON HEAD BOLT	VIS	2		M5X60
3	65	381126198	AIR CLEANER PLATE ASS'Y	PLAQUE DE FILTRE A AIR CPL.	1		
3	66	381162346	SEPARATOR PLATE	SÉPARATEUR D'HUILE	1		
3	67	367213540	O RING	ANNEAU TORIQUE	1		
3	68	367424316	CHECK VALVE	SOUPAPE DE RETENU	2		
3	69	381422099	PIPE	TUYAU	1		
3	70	367325665	JOINT PIPE	RACCORD	1		
3	71	367442153	CARBURETOR GASKET	JOINT	1		
3	72	381266787	H.S.H.BOLT	VIS	2		M5X18 WR
3	73	367451825	CLAMP	CRAMPON	1		
3	74	367451729	INSULATOR	BRIDE INTERMEDAIRE	1		
3	75	367213547	O-RING	ANNEAU TORIQUE	1		
3	125	367638707	LEAD UNIT	CÂBLE	1		
3	126	367638708	LEAD UNIT	CÂBLE	1		
3	128	367922218	H.S.H.BOLT WITH WR	VIS	1		M5X14
3	129	367453569	CYLINDER COVER	CAPOT DE CYLINDRE	1		
3	130	367922218	H.S.H.BOLT WITH WR	VIS	1		M5X14
3	217	941151-9	FLAT WASHER	RONDELLE PLATE	1		
3	223	367266427	TAPPING SCREW	VIS TARAUDEUSE	1		M4X12
3	224	367452219	CHOKE PLATE	CLAPET DE STARTER	1		
3	231	367452220	CHOKE LEVER	LEVIER DE STARTER	1		
3	232	320266007	TAPPING SCREW BIND	VIS TARAUDEUSE	1		M3X10
3	233	381352020	SEPARATOR MESH	TISSU	1		
3	234	381453865	SEPARATOR CASE	CARTER	1		



Products with multiple versions are listed in subsiding order with the newest version on top not indented.

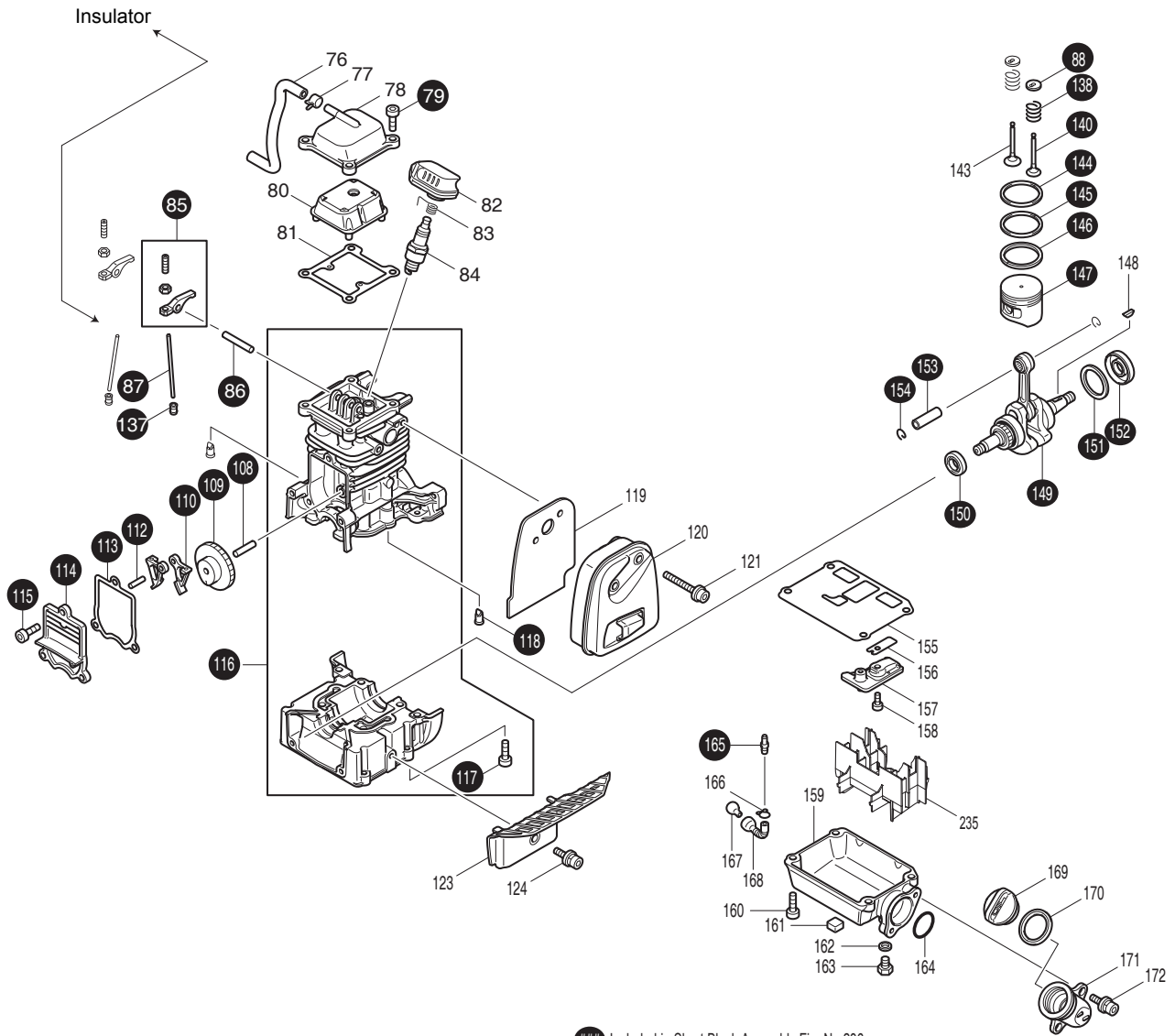
Corresponding bulletins are attached. Select bulletin name or attachment to view.

Section	Fig. No.	Part No.	Description	Désignation	ME-246.4	Tech Bulletin	Notes
4	89	367451735	CLUTCH CASE	CARTER D' EMBRAYAGE	1		
4	90	381266787	H.S.H.BOLT WITH WR	VIS	3		M5X18
4	91	367450569	SPACER	BAGUE D'ECARTEMENT	1		
4	92	660961052	RETAINING RING	CIRCLIP	1		
4	93	367210111	BALL BEARING	ROULEMENT À BILLES	1		6201DDU / 6201LLU
4	94	367962151	RETAINING RING	CIRCLIP	1		
4	95	168809-7	CLUTCH DRUM CPL.	TAMBOUR CPL.	1		
4	96	367266864	SHOULDER HEX. BOLT	VIS HEXAGONAL	2		M6X25
4	97	367267817	WASHER	RONDELLE	2		
4	98	381126135	CLUTCH ASSY.	EMBRAYAGE CPL.	1		
4	99	367168498	CLUTCH SHOE	MASSELOTTE	2		
4	100	381231881	TENSION SPRING	RESSORT DE TRACTION	1		
4	101	367267812	WASHER	RONDELLE	2		
4	102	374109107	FLANGE NUT	ECROU	1		
4	103	367318569	FLYWHEEL	ROUE POLAIRE	1		
4	104	367444021	TUBE	GAINE	1		
4	105	367266602	HEX. SOCKET HEAD BOLT	VIS HEXAGONAL	2		M4X20
4	106	367452049	SPACER	BAGUE D'ECARTEMENT	2		
4	107	367168559	IGNITION COIL	INDUIT	1		
4	122	367168483	PULLEY STARTER	ROUE DÉMARREUR	1		
4	131	374424082	VIBRATION DAMPER	AMORTISSEUR DE VIBRA- TIONS	1		
4	132	367922211	HEX. SOCKET HEAD BOLT	VIS HEXAGONAL	1		M5X12
4	133	367922226	HEX. SOCKET HEAD BOLT	VIS HEXAGONAL	2		M5X18
4	134	374318249	PIPE BRACKET	COLLIER D'ATTACHE	1		
4	135	374318250	PIPE BRACKET	COLLIER D'ATTACHE	1		
4	136	374424083	VIBRATION DAMPER	AMORTISSEUR DE VIBRA- TIONS	1		
4	183	367195308	RECOIL STARTER SET	DEPOSITE DE DEMARRAGE CPL.	1		
4	184	367424319	STARTER KNOB	POIGNÉE DE LANCEMENT	1		
4	185	367424359	DAMPER	AMORTISSEUR	1		
4	187	367266585	TAPPING SCREW	VIS TARAUDEUSE	1		M5X12
4	188	367325923	SWING ARM	ETRIER D'ENTRAINEMENT	1		
4	189	367451938	COLLAR	LOGEMENT POU ETRIER	1		
4	190	367451937	REEL	TAMBOUR DE CÂBLE	1		
4	191	367232258	SPIRAL SPRING	RESSORT DE RAPPEL	1		

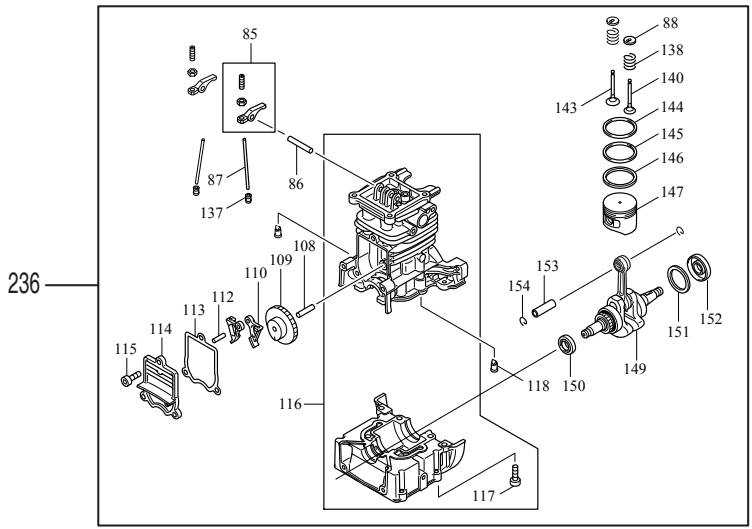
Products with multiple versions are listed in subsiding order with the newest version on top not indented.

Corresponding bulletins are attached. Select bulletin name or attachment to view.

Section	Fig. No.	Part No.	Description	Désignation	ME-246.4	Tech Bulletin	Notes
4	192	367444023	STARTER ROPE	CORDE DE LANCEUR	1		
4	193	367451733	STARTER CASE	BOÎTIER DISPOS. DE DÉMAR- RAGE	1		
4	194	367922223	H.S.H.BOLT WITH WR	VIS	4		M5X16



### Included in Short Block Assembly Fig. No.236



Products with multiple versions are listed in subsiding order with the newest version on top not indented.

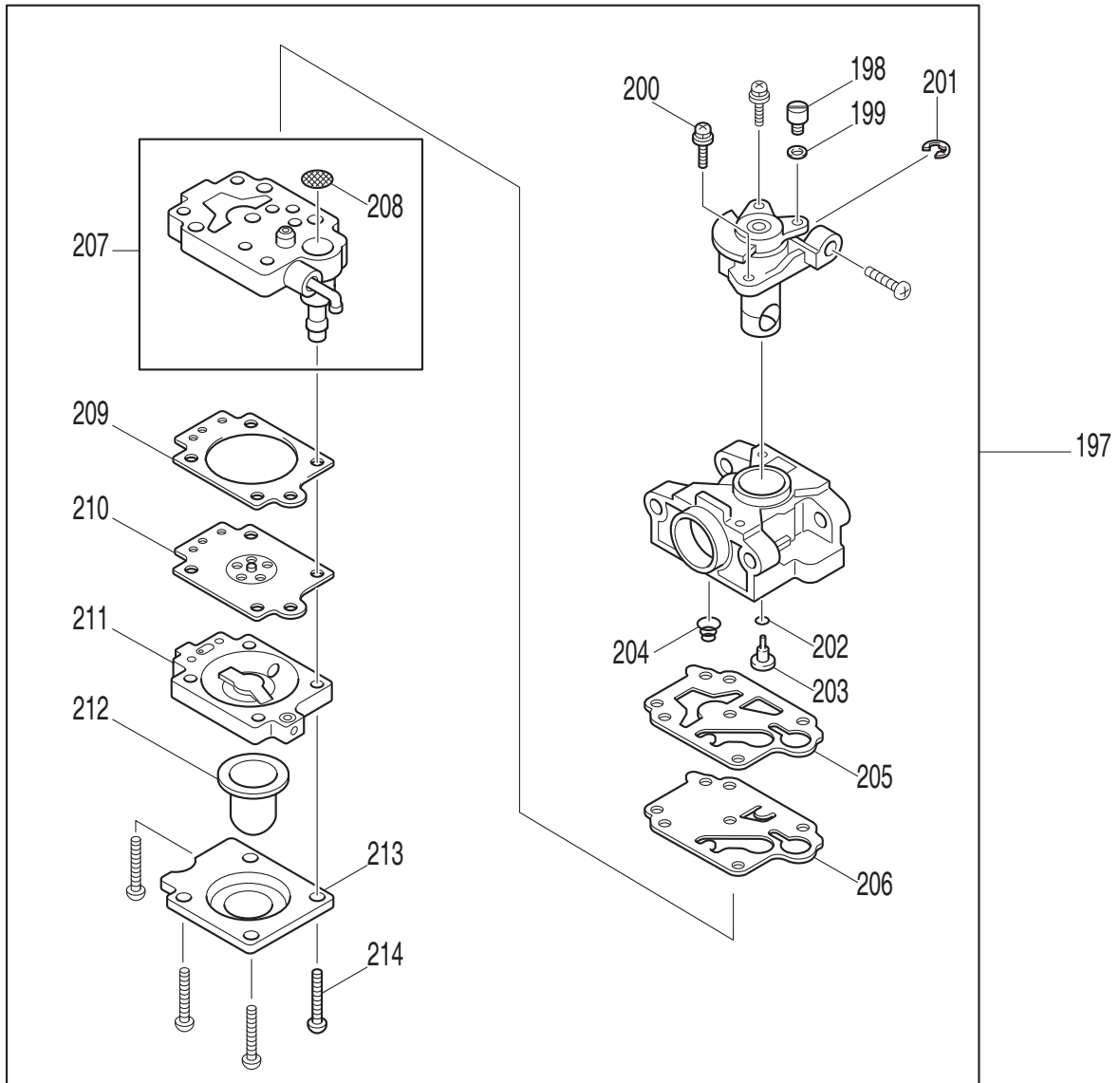
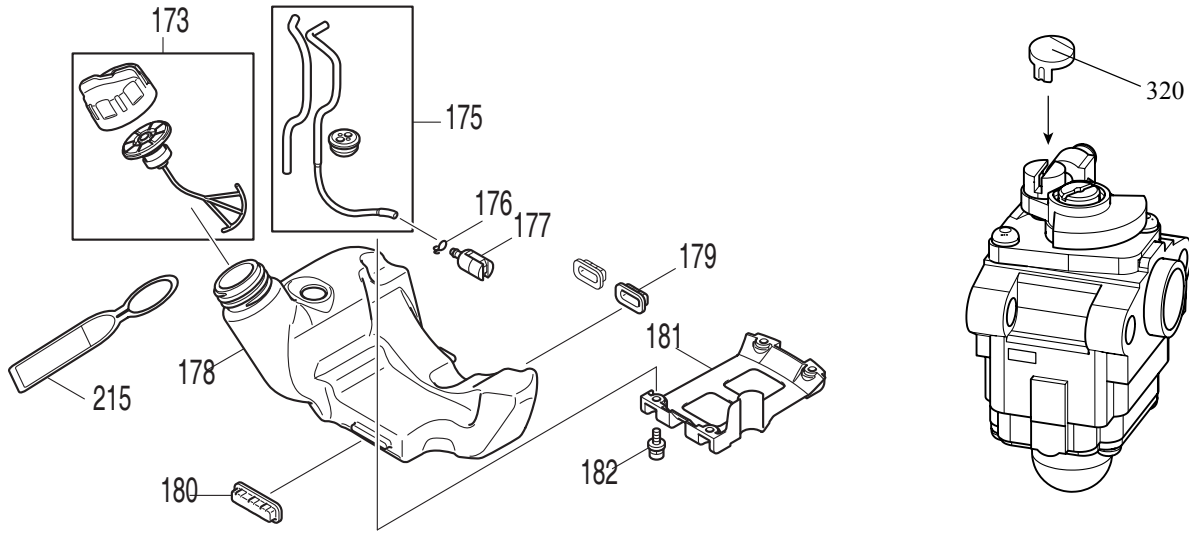
Corresponding bulletins are attached. Select bulletin name or attachment to view.

Section	Fig. No.	Part No.	Description	Désignation	ME-246.4	Tech Bulletin	Notes
5	76	381422109	BREATHER PIPE	TUYAU DE PURGE	1		155MM
5	77	367345918	HOSE CLAMP	COLLIER	1		
5	78	367318745	ROCKER COVER OUTER	CAPOT POUR CULBUTEUR, EXT.	1		
5	79	367922222	HEX. SOCKET HEAD BOLT	VIS HEXAGONAL	4		M5X16
5	80	381453860	ROCKER COVER INNER	CAPOT POUR CULBUTEUR, INT.	1		
5	81	367162304	ROCKER COVER GASKET	JOINT, CAPOT POUR CULBU- TEUR	1		
5	82	374424302	PLUG CAP	CAPUCHON DE FICHE	1		
5	83	367324891	PLUG CAP SPRING	RESSORT CAPUCHON DE FICHE	1		
5	84	367168534	SPARK PLUG	BOUGIE	1		
5	85	367125554	ROCKER ARM ASS'Y	CULBUTEUR CPL.	2		
5	86	367256200	PIN	GOUPILLE	1		
5	87	367256865	ROD	TIGE-POUSSOIR	2		
5	88	367325668	SPRING RETAINER	CUVETTE DE RESSORT	2		
5	108	367268238	PIN	GOUPILLE	1		
5	109	367125552	CAM GEAR ASS'Y	PIGNON DE DISTRIBUTION	1		
5	110	367313169	CAM LIFTER	LEVIER A CAMES	2		
5	112	367268239	PIN	GOUPILLE	1		
5	113	367162274	CAM GEAR COVER GASKET	JOINT	1		
5	114	367318443	CAMGEAR COVER	CAPOT	1		
5	115	367922222	HEX. SOCKET HEAD BOLT	VIS HEXAGONAL	3		M5X16
5	116	367135478	CYLINDER BLOCK SET	BLOC DE CYLINDRES	1		
5	117	367922222	HEX. SOCKET HEAD BOLT	VIS HEXAGONAL	6		M5X16
5	118	367424201	CHECK VALVE	SOUPAPE DE RETENU	2		
5	119	367346331	MUFFLER GASKET	JOINT DE POT D'ÉCHAPPEMENT	1		
5	120	367168554	EXHAUST MUFFLER	POT D'ÉCHAPPEMENT	1		
5	121	367266440	HEX. SOCKET HEAD BOLT	VIS HEXAGONAL	2		M5X40
5	123	367451731	MUFFLER PLATE	PROTECTION DE COMBUS- TION	1		
5	124	367922218	H.S.H.BOLT WITH WR	VIS	1		M5X14
5	137	367424200	SPACER	DOUILLE	2		
5	138	367234108	COMPRESSION SPRING	RESSORT DE PRESSION	2		
5	140	367325669	EXHAUST VALVE	SOUPAPE D'EMISSION	1		
5	143	367325670	INTAKE VALVE	VALVE D'ADMISSION	1		

Products with multiple versions are listed in subsiding order with the newest version on top not indented.

Corresponding bulletins are attached. Select bulletin name or attachment to view.

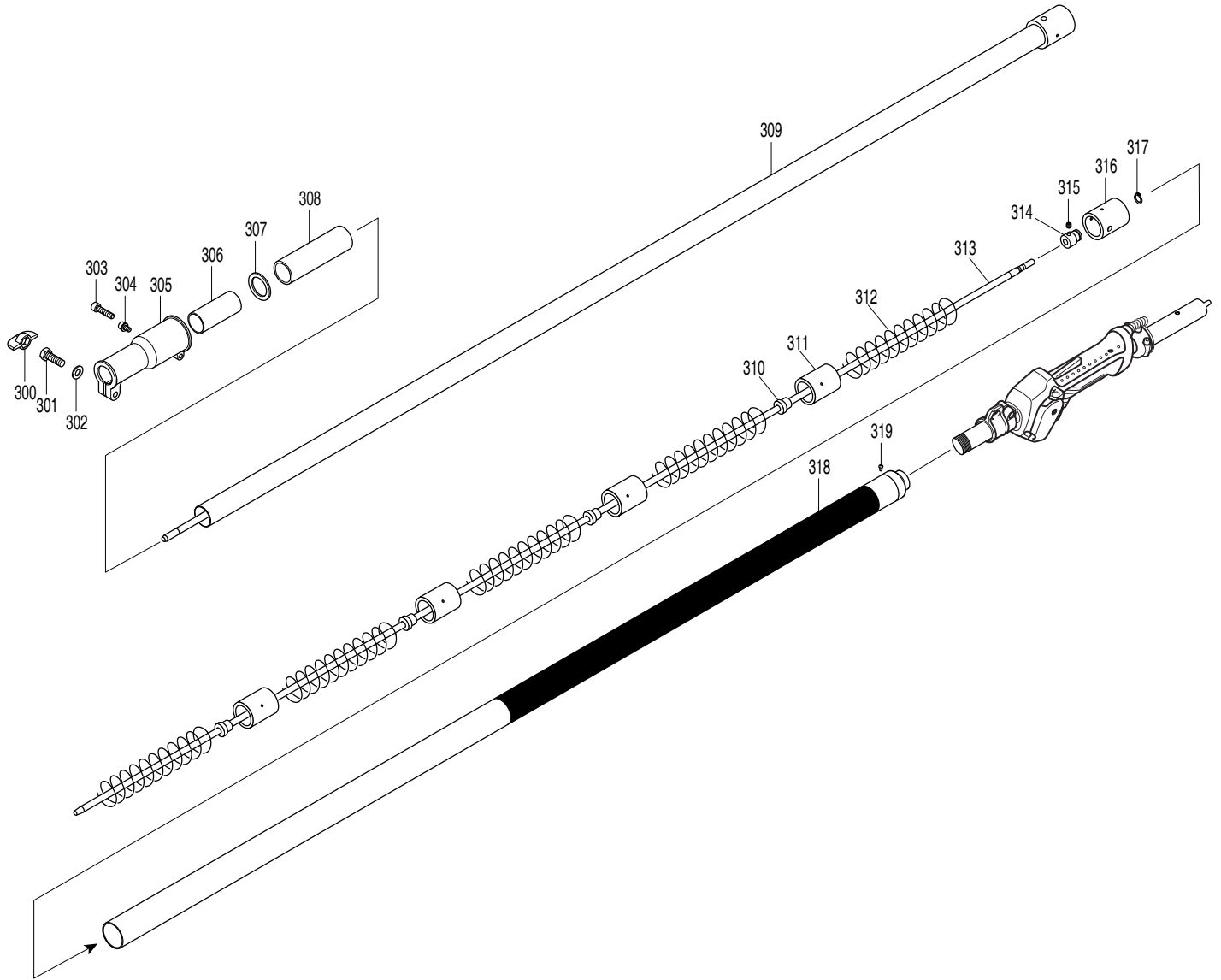
Section	Fig. No.	Part No.	Description	Désignation	ME-246.4	Tech Bulletin	Notes
5	144	367195145	PISTON RING SET	JEU DE SEGMENTS DE PISTON	1		
5	147	367318441	PISTON	PISTON	1		
5	148	367254040	WOODRUFF KEY	CLAVETTE	1		
5	149	126359-8	CRANKSHAFT ASS'Y	VILEBREQUIN CPL.	1		
5	150	367213148	OIL SEAL	JOINT ÉTANCHE À L'HUILE	1		
5	151	367267400	FLAT WASHER	RONDELLE PLATE	1		
5	152	367213147	OIL SEAL	JOINT ÉTANCHE À L'HUILE	1		
5	153	367257781	PISTON PIN	AXE DE PISTON	1		
5	154	367233976	CLIP	ANNEAU RESSORT	2		
5	155	381162345	OIL CASE GASKET	JOINT	1		
5	156	367346083	LEAD VALVE	MEMBRANE D'ADMISSION	1		
5	157	381318910	RETAINER PLATE	FILTRE EN FEUTRE	1		
5	158	367922112	HEX. SOCKET HEAD BOLT	VIS HEXAGONAL	1		M4X10
5	159	367318588	OIL CASE	CUVETTE A HUILE	1		
5	160	367922222	HEX. SOCKET HEAD BOLT	VIS HEXAGONAL	4		M5X16
5	161	367424344	DAMPER	AMORTISSEUR	1		
5	162	367346305	GASKET	JOINT	1		
5	163	367266611	HEXAGON BOLT	VIS À SIX PANS	1		M6X8
5	164	367213548	O-RING	ANNEAU TORIQUE	1		
5	165	367325665	JOINT PIPE	RACCORD	1		
5	166	367282020	HOSE CLAMP	COLLIER	1		
5	167	367325666	OIL WEIGHT	POIDS POUR TUYAU D'HUILE	1		
5	168	367424301	OIL TUBE	TUYAU DE L'HUILE	1		
5	169	388650150	OIL CAP	BOUCHON	1		
5	170	388322999	GASKET	JOINT	1		
5	171	367452048	OIL PIPE	TUBULURE DE REMPLISSAGE	1		
5	172	367922218	H.S.H.BOLT WITH WR	VIS	2		M5X14
5	235	381453862	OIL CASE PLATE	INSERT POUR CUVETTE A HUILE	1		
5	236	367135599	SHORT BLOCK ASSY.	SHORT BLOCK	1		



Products with multiple versions are listed in subsiding order with the newest version on top not indented.

Corresponding bulletins are attached. Select bulletin name or attachment to view.

Section	Fig. No.	Part No.	Description	Désignation	ME-246.4	Tech Bulletin	Notes
6	173	367125728	FUEL TANK CAP ASSEMBLY	BOUCHON RESERVOIR CPL., CARBURANT	1		
6	175	367168755	TUBE COMPLETE	TUBE CPL.	1		
6	176	367282020	HOSE CLAMP	COLLIER	1		
6	177	367163518	GASOLIN FILTER	FILTRE D'ESSENCE	1		
6	178	367454010	FUEL TANK	RESERVOIR D'ESSENCE	1		
6	179	374424080	VIBRATION DAMPER	AMORTISSEUR DE VIBRA- TIONS	2		
6	180	374424081	VIBRATION DAMPER	AMORTISSEUR DE VIBRA- TIONS	1		
6	181	367451737	TANK GUARD	BRIDE DE PROTECTION	1		
6	182	367922218	H.S.H.BOLT WITH WR	VIS	4		M5X14
6	197	381168762	CARBURETOR	CARBURATEUR	1		
6	198	367325922	SWIVEL	CAME	1		
6	199	367413140	WASHER	RONDELLE	1		
6	200	367266581	PAN HEAD SCREW	VIS À TÊTE CYLINDRIQUE	2		M3X8
6	201	367257964	STOP RING	CIRCLIP	1		
6	202	367213538	O RING	ANNEAU TORIQUE	1		
6	203	367325985	JET	BUSE	1		
6	204	367234183	CONICAL COMPRESSION SPRING	RESSORT DE PRESSION	1		
6	205	367442155	PUMP GASKET	JOINT	1		
6	206	367168575	PUMP DIAPHRAGM	MEMBRANE DE POMPE	1		
6	207	381141737	PUMP BODY	POMPE	1		
6	208	367352021	INLET SCREEN	TAMIS	1		
6	209	367442154	METERING DIAPHRAGM GASKET	JOINT	1		
6	210	367168620	METERING DIAPHRAGM	MEMBRANE DE COMMANDE	1		
6	211	367140438	AIR PURGE BODY ASS'Y	COUVERCLE	1		
6	212	367424314	PRIMER PUMP	POMPE PRIMER	1		
6	213	367346270	PRIMER PUMP COVER	COUVERCLE DE POMPE PRIMER	1		
6	214	367266582	TAPPING SCREW	VIS TARAUDEUSE	4		M3X24
6	320	525-95003-00	CAP		1		



Products with multiple versions are listed in subsiding order with the newest version on top not indented.

Corresponding bulletins are attached. Select bulletin name or attachment to view.

Section	Fig. No.	Part No.	Description	Désignation	ME-246.4	Tech Bulletin	Notes
7	300	TF6116068B	KNOB	BOUTON	1		
7	301	TF119F0840	HEX. BOLT	VIS	1		
7	302	TF411M0800	FLAT WASHER	RONDELLE PLATE	1		
7	303	TF120S0625	HEX. SOCKET HEAD BOLT	VIS	1		M6X25
7	304	TF120S0510	HEX. SOCKET HEAD BOLT	VIS	1		M5X10
7	305	TF2616001A	SLIDE HOLDER	SUPPORT	1		
7	306	TF6126008A	SLEEVE	DOUILLE	1		
7	307	TF3651008A	SLIDE HOLDER WASHER	RONDELLE	1		
7	308	TF6362070A	CUSHION TUBE	AMORTISSEUR	1		
7	309	TF3312328A	MAIN PIPE ASSY.	TUBE PRINCIPAL CPL.	1		
7	310	TF6126009A	DRIVE BUSH	DOUILLE	4		
7	311	TF6126010A	BUSH HOLDER	SUPPORT	4		
7	312	TF5313012A	SPRING	RESSORT	5		
7	313	TF4117027A	DRIVE SHAFT	ARBRE D'ATTAQUE	1		
7	314	TF4613005B	SET COLLAR	DOUILLE DE RÉGLAGE	1		
7	315	TF290Q0506	HEX. SOCKET HEAD SET SCREW	VIS SANS TÊTE À SIX PANS CREUX	1		
7	316	TF6126010A	BUSH HOLDER	SUPPORT	1		
7	317	TF480J1200	SNAP RING	CIRCLIP	1		
7	318	TF3318145A	GUIDE PIPE ASSY	TUBE CPL.	1		
7	319	TF244F0408	SCREW	VIS	1		