



MK-101 Home Depot Rental w/JCS Stand

TILE SAW OWNER'S MANUAL & OPERATING INSTRUCTIONS



CAUTION:
Read all safety and
operating instructions
before using this
equipment

Enter the Serial Number of your new saw in the
space below. The Serial Number is located on the
left side of the blade guard.

SERIAL NUMBER:

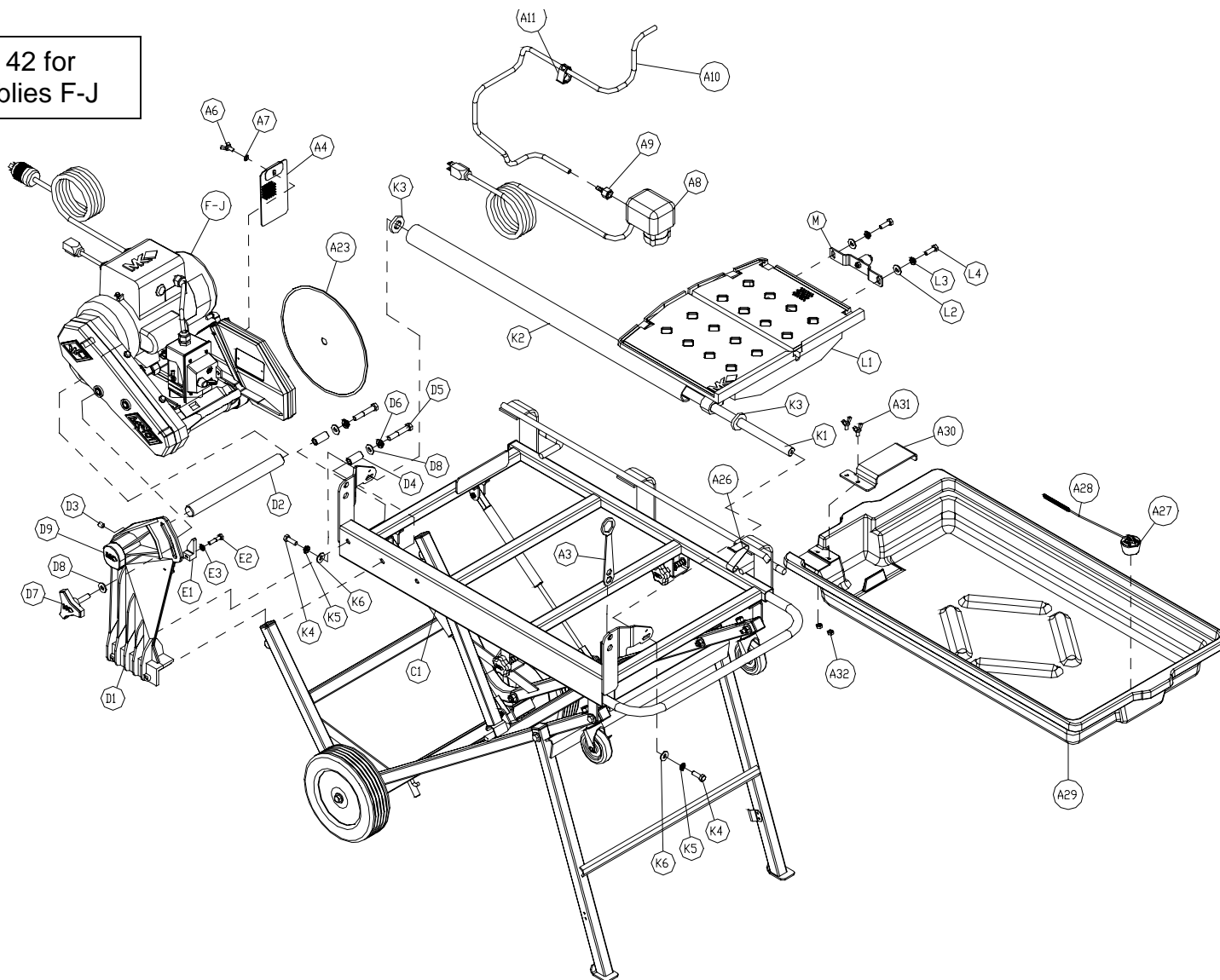
NOTE:

For your (1) one year warranty to be effective,
complete the warranty card (including the Serial
Number and mail it in as soon as possible.

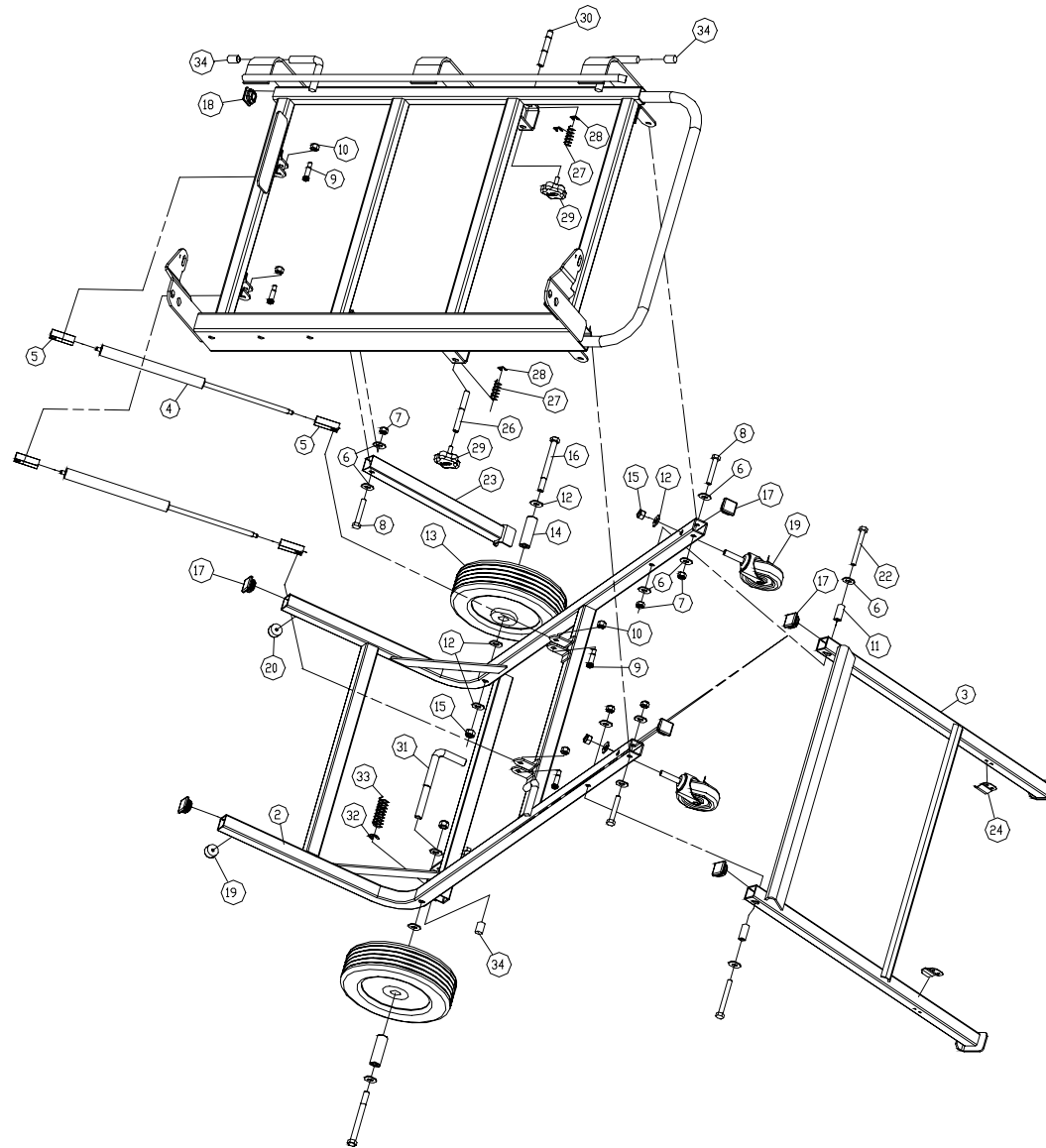
EXPLODED VIEW AND PARTS LIST

EXPLODED VIEW:

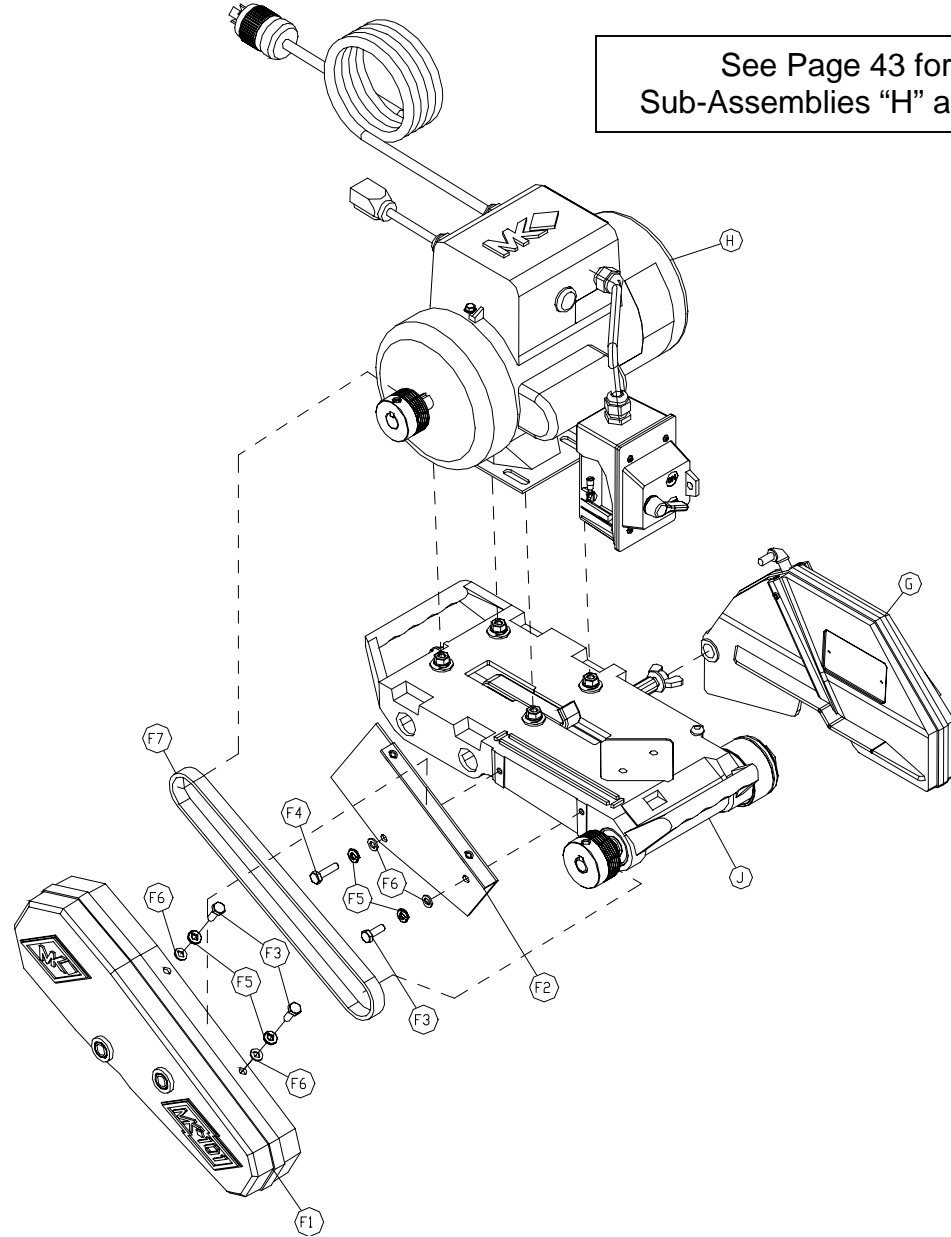
See Page 42 for
Sub-Assemblies F-J



EXPLODED VIEW AND PARTS LIST

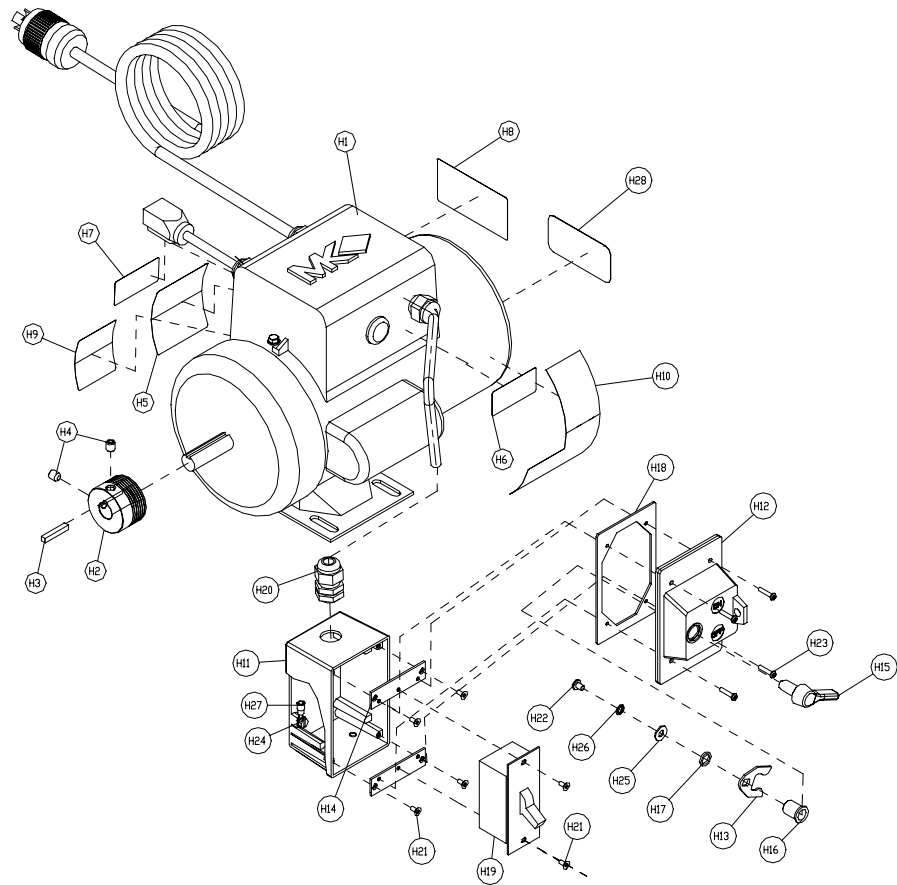


EXPLODED VIEW AND PARTS LIST

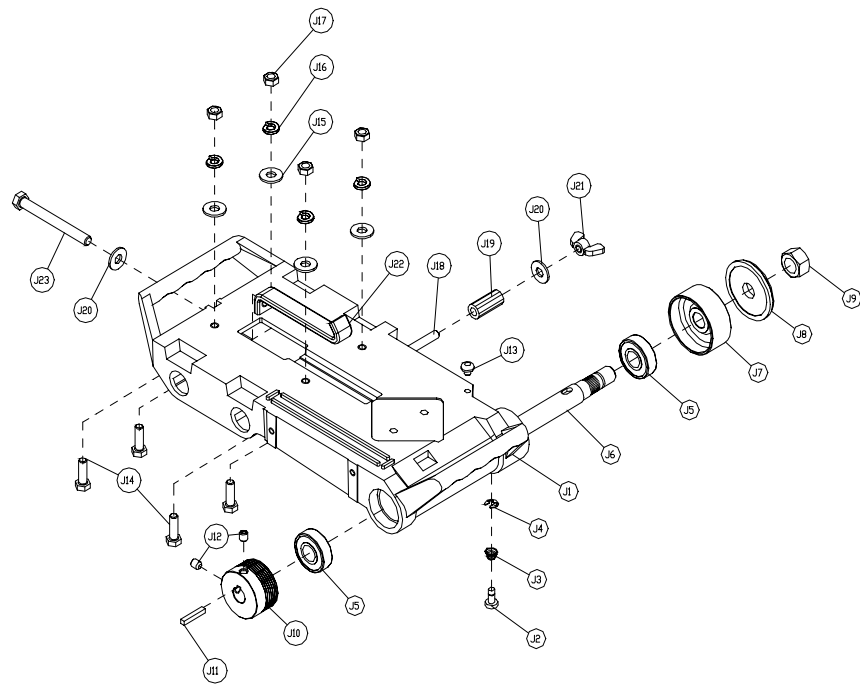


See Page 43 for
Sub-Assemblies "H" and "J"

EXPLODED VIEW AND PARTS LIST



Sub-Assembly "H"



Sub-Assembly "J"

EXPLODED VIEW AND PARTS LIST

PARTS LIST FOR THE MK-101 JCS HOME DEPOT RENTAL:

Item	Description	Qty	Part #
A	Accessories	-	-
A1	Carton, Accessory Pack, 101	1	153366
A2	Foam, Accessory Pack Carton	1	154022
A3	Wrench, 15/16 Closed End	1	134684
A4	Guard, Splash	1	160310
A6	Wingscrew, 1/4-20 X 1/2	1	151888
A7	Washer, 1/4 SAE Flat	1	151915
A8	Pump, Water, G-150A	1	151271
A9	Fitting, Plastic, 1/4 FNPT X 1/4 BARB	1	128397
A10	Hose, Vinyl, 1/4 ID	6'	132951
A11	Clamp, Flow, 1/4-1/2	1	154394
A12	Rip Guide, Large Die Cast	1	159751
	a) Knob, Rubber, 3/4" long	1	159428-1
A13	Miter, Large Bullnose	1	153201
	Knob, Rubber, 3/4" long	2	159428-1
A14	Guide, Dual Flat 45	1	134577
	Knob, Rubber, 3/4" long	1	159428-1
A15	Protractor, Tile Saw	1	159429
	Knob, Rubber, 3/4" long	2	159428-1
	Washer, Flat Sae	1	151915
A16	Dressing Stick, 8 X 2 X 1, 60 Grit	1	152792-RW
A18	Cord, Twist-Lock GFCI, 120V/15A	1	157421
	Cord, 5-15 X 6' GFCI, 120V15A	1	157779
	Connector, L5-15R, 125V/15A	1	157422
A19	Owner's Manual, MK101 Home Depot Rental Portable Tile Saw	1	161289
A20	Card, Rental Saw Warranty Registration	1	155037
A21	Label, Do Not Return	1	157063
A22	Sell Sheet, Tile Accessory	1	156915
A23	Blade, MK-225, 10X050X5/8, 4mm Saws	1	160593
A24	Tag, Serial Number, Blank	1	157500
A25	Cord, L5-15x25' Extension	1	158111
A26	Clip, Table Lock, 30 deg	1	160331-1
A27	Drain Plug, HD Rental	1	159529
A28	Strap, 9" Drain Plug	1	159530
A29	Pan, Plastic, 101	1	150634
A30	Clamp, Holding, Pump	1	162054
A31	Screw, Wing, 1/4-20x1/2	2	151888
A32	Nut, Hex, 1/4-20	2	151893
A33	Sheet, Set Up Instructions	1	162082
C	Frames	-	-
C1	Assy, Portable Stand	1	160705
D	Posts	-	-
D1	Post, DC, 101, Orange	1	158438-OR
D2	Shaft, 10.63" Pivot, 101	1	153254
D3	Screw, Set, 3/8-16 X 1/2	1	153710
D4	Spacer, 5/8x.385x1.4	2	160654
D5	Screw, Hex Head, 3/8-16 X 2 1/4	2	153529
D6	Washer, 3/8 Split Lock	2	150925
D7	Knob, 3/8-16 X 1.5 MK Adjustment	1	156770-02
D8	Washer, 3/8 SAE Flat	3	150923
D9	Plastic Post Cover	1	160157
E	Stop, Cutting Head	-	-
-	Kit, Stop, 10" Cutting Head	1	157728-MK

EXPLODED VIEW AND PARTS LIST

E1	Stop, 10" Cutting Head	1	157728
E2	Screw, Hex Head, 1/4-20 X 1 1/4	1	157145
E3	Washer, 1/4 Split Lock	1	152591
E4	Sheet, Cutting Head Stop Instruction	1	157728-IS
F-J	Assembly, DC Cutting Head, PL-101R, Home Depot, Orange	1	158478-HD
F	Belt Guards	-	-
F1	Belt Guard, MK-101, Orange	1	158319-OR
	Insert, 3/8-16 AVK	2	158193
F2	Bracket, Inner Belt Guard, 100/101	1	158611
F3	Screw, Hex Head, 1/4-20 x 3/4	3	152370
F4	Screw, Hex Head, 1/4-20 x 1	1	152676
F5	Washer, 1/4 Split Lock	4	152591
F6	Washer, 1/4 SAE Flat	4	151915
F7	Belt, 260J6 Micro-V	1	158194
G	Assembly, Blade Guard, MK-101R, Orange	1	155513
G1	Blade Guard, MK-101Rental, Orange	1	155303
G2	Tube, Water	2	155389
G3	Screw, Set, 5/16-18 X 1/2	3	152607
G4	Elbow, 1/8 MNPT X 1/4 BARB 90° Brass	1	154652
H	Motors	-	-
-	Assembly, Motor, 1-1/2HP\120v\60Hz\L5-15P\30A SBox	1	159709-TL
H1	Motor, 1-1/2HP\120v\60Hz, for 30A switchbox, with L5-15P	1	159627-TL
H2	Pulley, 6J17 X 5/8 Bore	1	158214
H3	Key, 3/16 x 3/16 x 1-1/8 Square	1	150344
H4	Screw, Set, 5/16-18 X 3/8	2	157083
H5	Label, Warning most motor... 2 3/4 X 2 7/16	1	155672
H6	Label, Caution, GFCI, 1 X 2 1/8	1	155678
H7	Label, Caution, 5 Amp Max., 1 X 2-1/8	1	154822
H8	Label, Warning, Read Owner's Manual, 1-3/4 X 3-3/8	1	155806
H9	Label, MK Service Info., 2 1/8 X 1-13/16	1	155038
H10	Label, HD Checklist	1	155231
H11	Box, Top Entry, 30A Switch	1	159487
H12	Cover, 30A Switch Box	1	159539
H13	Lever, Actuator, 30A Switch Box	1	159540
H14	Plate, Mounting, 30A Switch	2	159489
H15	Lever, On/Off, 30A Switch Box	1	159490
H16	Bushing, Nylon, 30A Switch Box	1	158799
H17	Seal, Urethane, 30A Switch Box	1	159492
H18	Gasket, 30A Switch Box	1	159491
H19	Switch, 30A/2HP/120V/DPST	1	159488
H20	Connector, LTF11 Cord	1	159582
H21	Screw, 6-32 X 5/16 Flat Head Phillips Machine	6	159493
H22	Screw, 10-24 X 1/4 Pan Head Phillips Machine	1	159494
H23	Screw, 6-32 X 5/8 Pan Head Phillips Machine	4	157393
H24	Screw, 10-24 X 5/16 Slotted Hex Washer Head Grounding	1	159597
H25	Washer, #10 SAE Flat	1	154369
H26	Washer, #10 Lock, Internal Teeth	2	158336
H27	Terminal, 16-14 X #10 Ring, Non-insulated	1	154540
H28	Label, Home Depot Tool Rental	1	160602
J	Assembly, Cutting Head	1	158191-OR
J1	Cutting Head, DC, 101, Orange	1	158224-OR
J2	Pin, Blade Shaft Lock	1	158200
J3	Spring, Blade Guard Lock	1	158201
J4	E-Ring, 1/4 Retaining	1	158202

EXPLODED VIEW AND PARTS LIST

J5	Bearing, 17mm X 40mm X 12mm Ball (6203-2NSE)	2	137711
J6	Shaft, Blade 100/101	1	158222
J7	Flange, 2-3/8 Inner	1	137737
J8	Flange, 2-3/8 Outer	1	135830
J9	Nut, 5/8-18 Hex	1	135848
J10	Pulley, 6J19 X 5/8 Bore	1	158199
J11	Key, 3/16 x 3/16 x 1 1/8 Square	1	150344
J12	Screw, 5/16-18 X 3/8 Socket Head Set, Cup Point	2	157083
J13	Bumper, 1/2 Dia Rubber	1	152674
J14	Screw, 5/16-18 X 1 Hex Head Cap	4	151743
J15	Washer, 5/16 SAE Flat	4	151754
J16	Washer, 5/16 Split Lock	4	151747
J17	Nut, 5/16-18 Hex	4	101196
J18	Screw, 5/16-18 x 2 1/2 Hex Head Cap, Full Thread	1	151748
J19	Pivot, Blade Guard	1	153208
J20	Washer, 3/8 SAE Flat	2	150923
J21	Wingnut, 5/16-18 Nylock	1	151746
J22	Strap, Motor Adjustment	1	152673
J23	Screw, 3/8-16 X 3 1/2 Hex Head Full Thread	1	153147
K-M	Assembly, DC Table, MK-101	1	158477
K	Guide Bars	-	-
K1	Bar, 3/4 X 32 Guide, 101	1	134759
K2	Cover, Guide Bar, 120° X 35"	1	158403
K3	Spacer, Guide Bar Cover, 101	2	152393
K4	Screw, 5/16-18 X 1 Hex Head Cap	2	151743
K5	Washer, 5/16 Split Lock	2	151747
K6	Washer, 5/16 SAE Flat	2	151754
L	Tables	-	-
L1	Table, 100/101	1	157660
L2	Washer, 5/16 SAE Flat	2	151754
L3	Washer, 5/16 Split Lock	2	151747
L4	Screw, 5/16-18 X 1 Hex Head Cap	2	151743
M	Assembly, Roller Wheel	1	151756
M1	Bracket, Roller Wheel	1	154021
M2	Wheel, Roller	1	151799
M3	Screw, 1/4-20 X 1 1/2 Hex Head Cap	1	151914
M4	Washer, 1/4 SAE Flat	1	151915
M5	Nut, 1/4-20 Hex	1	151893

EXPLODED VIEW AND PARTS LIST

PARTS LIST FOR JCS STAND (SHOWN IN PAGE 41):

Item	Description	Qty	MK p/n
-	Assembly, Portable Stand, MK100/101/770EXP	1	160705
1	Weldment, Integrated Frame	1	160690
2	Weldment, Rear Support	1	160693
3	Weldment, Front Support	1	160700
4	Spring, Gas, 600N	2	160696
5	Fitting, End, Gas Spring	4	160695
6	Washer, 5/16 SAE	10	151754
7	Nut, Hex, Nylok, 5/16-18	5	158289
8	Screw, Hex, 5/16-18x2	3	155494
9	Screw, Shoulder, 5/16x3/4	4	160726
10	Nut, Hex, Nylok, 1/4-20	4	159857
11	Spacer, 1/2x5/16x1-1/8	2	160732
12	Washer, 3/8 SAE	8	150923
13	Wheel, 8x2-1/4	2	155986
14	Spacer, 3/4x3/8x2-1/4	2	160728
15	Nut, Hex, Nylok, 3/8-16	4	152505
16	Screw, Hex Hd, 3/8-16x4	2	153531
17	Plug, Plastic, 1 SQ., 10-14 Ga	6	160727-2
18	Plug, Plastic, 1 SQ., 14-20 Ga	1	160727-1
19	Caster, Swivel, 3" w/ 3/8-16 Stem	2	160735
20	Bumper, Rubber	2	159855
21	Rivet, Dome Style, 3/16 Dia x.251-.375 Grip	2	160729-3
22	Screw, Hex Hd, 5/16-18x2-3/4	2	152520
23	Weldment, Vertical Support	1	160934
24	Plate, Spring	1	160694
25	Rivet, Dome Style, 5/32 Dia x.063-.125 Grip	4	161226-1
26	Pin, Locking	1	160936
27	Spring, 1/2x.04x1.75	1	160697
28	Ring, Retaining, 3/8x.035	1	161171
29	Knob, Plastic	1	159428-1
30	Pin, Frame Locking	1	162055
31	Pin, Wheel Locking	1	162051
32	Ring, Retaining, 1/2x.042	1	162053
33	Spring, .600x.045x2.25	1	162052
34	Cap, Vinyl, 1/2-9/16x3/4	3	162057