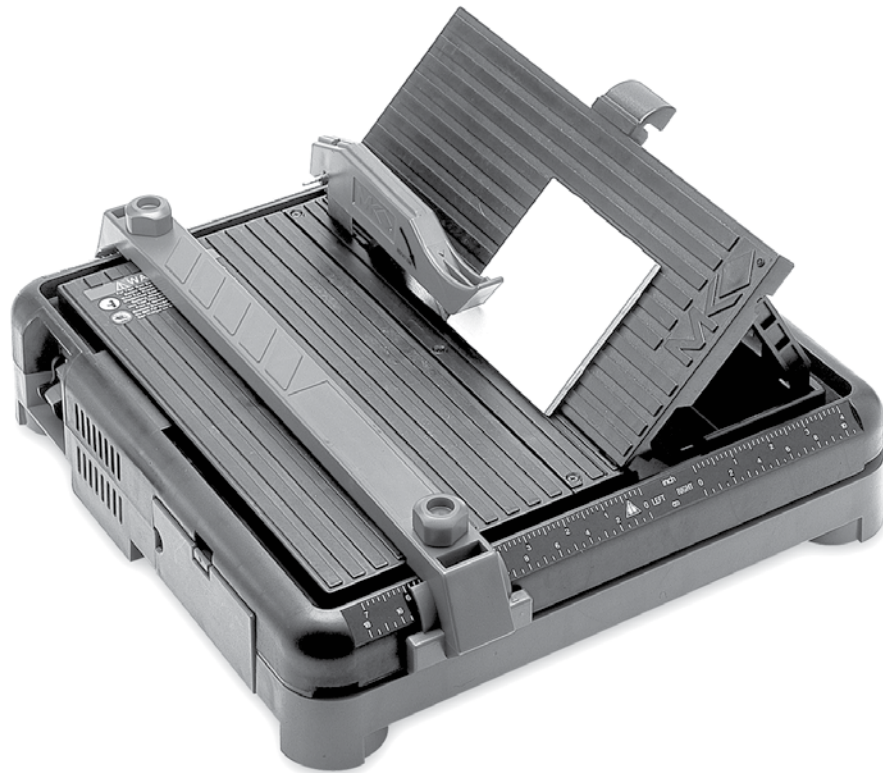


---

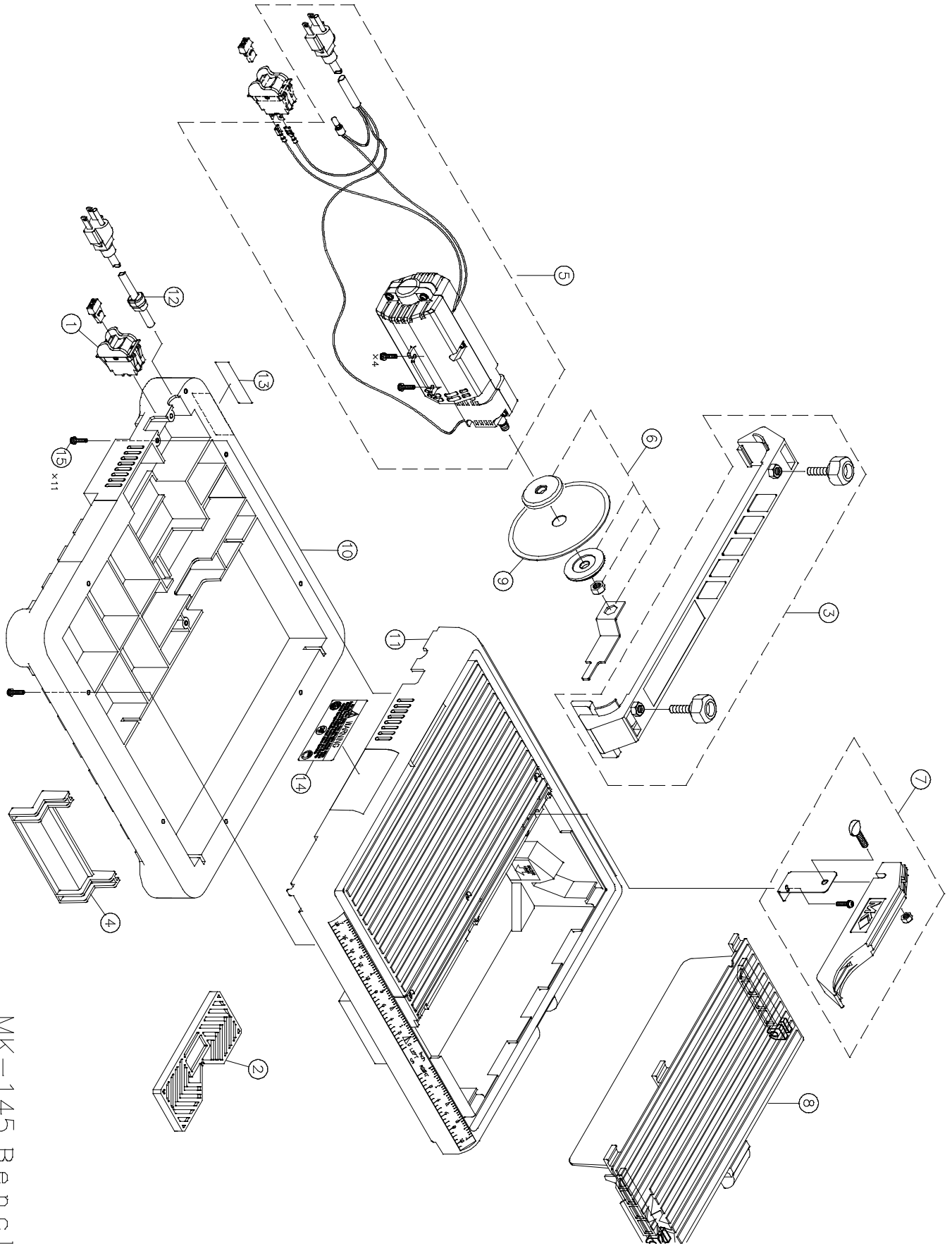
# MK-145 TILE SAW

## OWNER'S MANUAL, PARTS LIST & OPERATING INSTRUCTIONS



Revision 101	08.2013
Manual Part# 158286	

**Caution:** Read all safety and operating instructions before using this equipment. This owner's manual **MUST** accompany the equipment at all times.



MK-145 Benc 1

<b>ITEM</b>	<b>DESCRIPTION</b>	<b>PART #</b>
1	SWITCH	158303
2	DIAGONAL CUTTING GUIDE	158304
3	ADJUSTABLE CUTTING GUIDE	158305
4	TABLE STOP	158306
5	MOTOR ASSEMBLY	158307
6	FLANGE ASSEMBLY	158308
7	BLADE GUARD ASSEMBLY	158309
8	CUTTING TABLE COVER ASSEMBLY	158310
9	DIAMOND BLADE	158311
10	MK-145 MOLDED BASE	158312
11	MK-145 MOLDED TOP	158313
12	POWER CORD	158314
13	WARNING LABEL	158315
14	NAMEPLATE LABEL	158316
15	MOUNTING SCREWS (TOP TO BASE)	158317