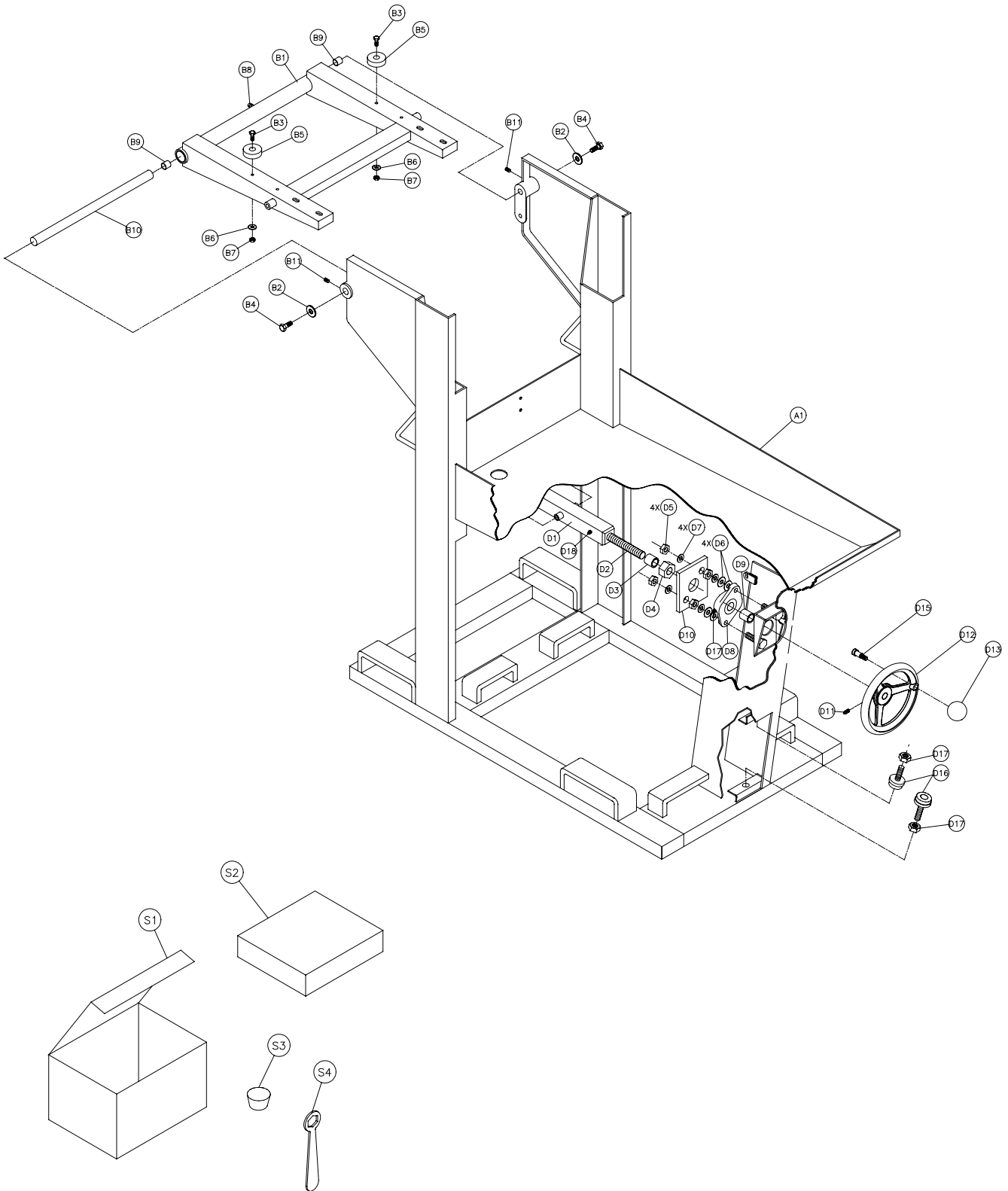


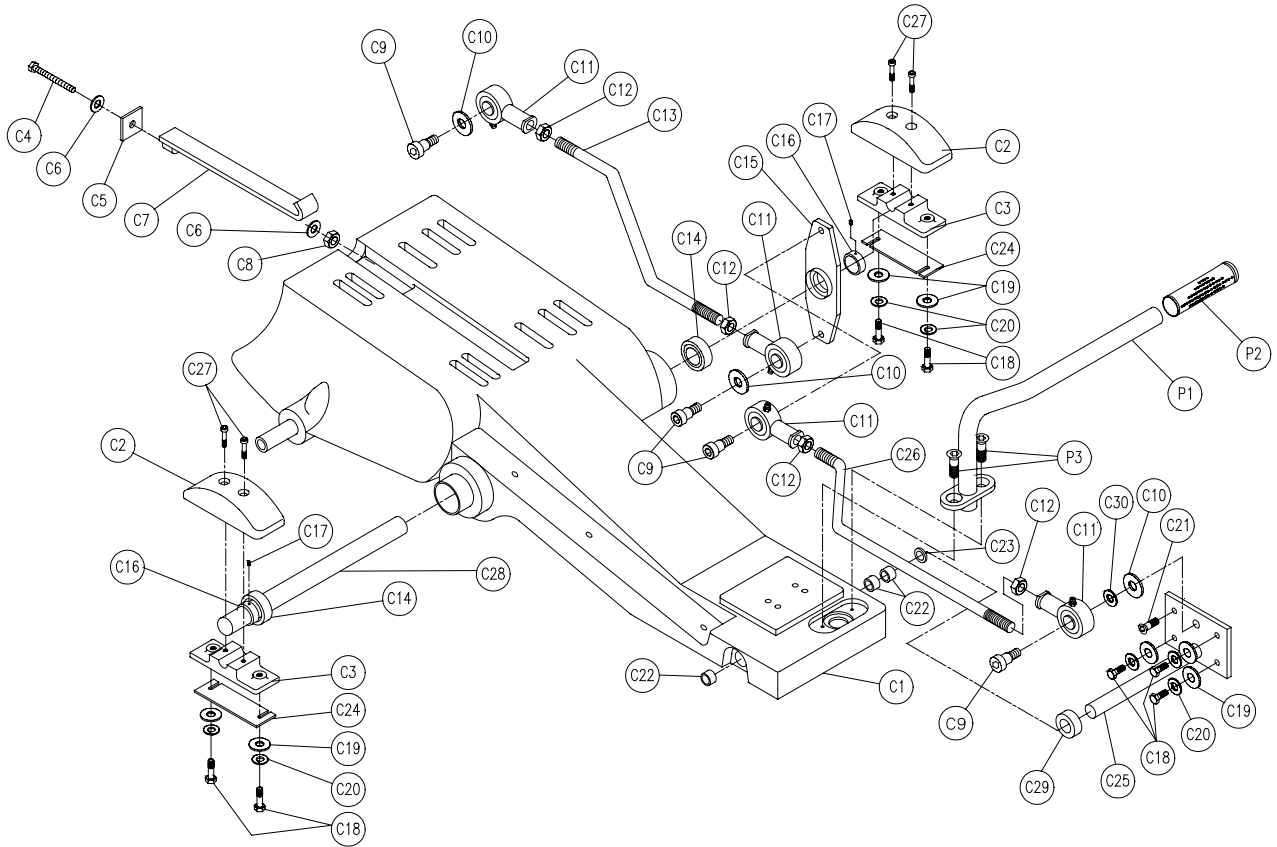
# EXPLODED VIEW AND PARTS LIST

## EXPLODED VIEW:

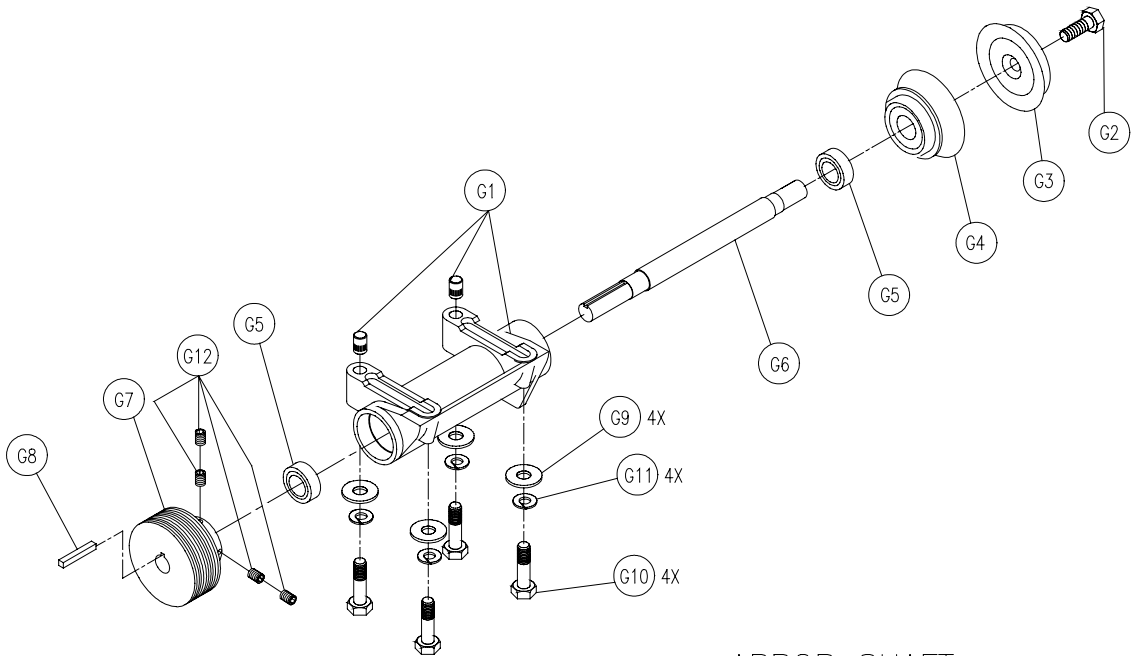


ACCESSORIES

# EXPLODED VIEW AND PARTS LIST

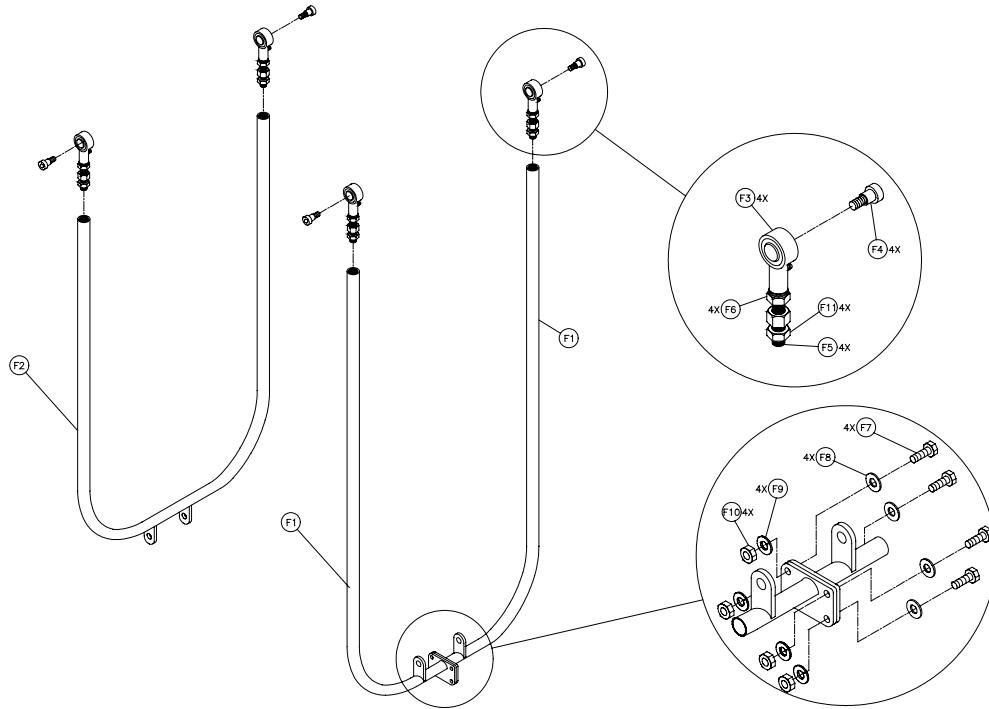


CUTTING HEAD

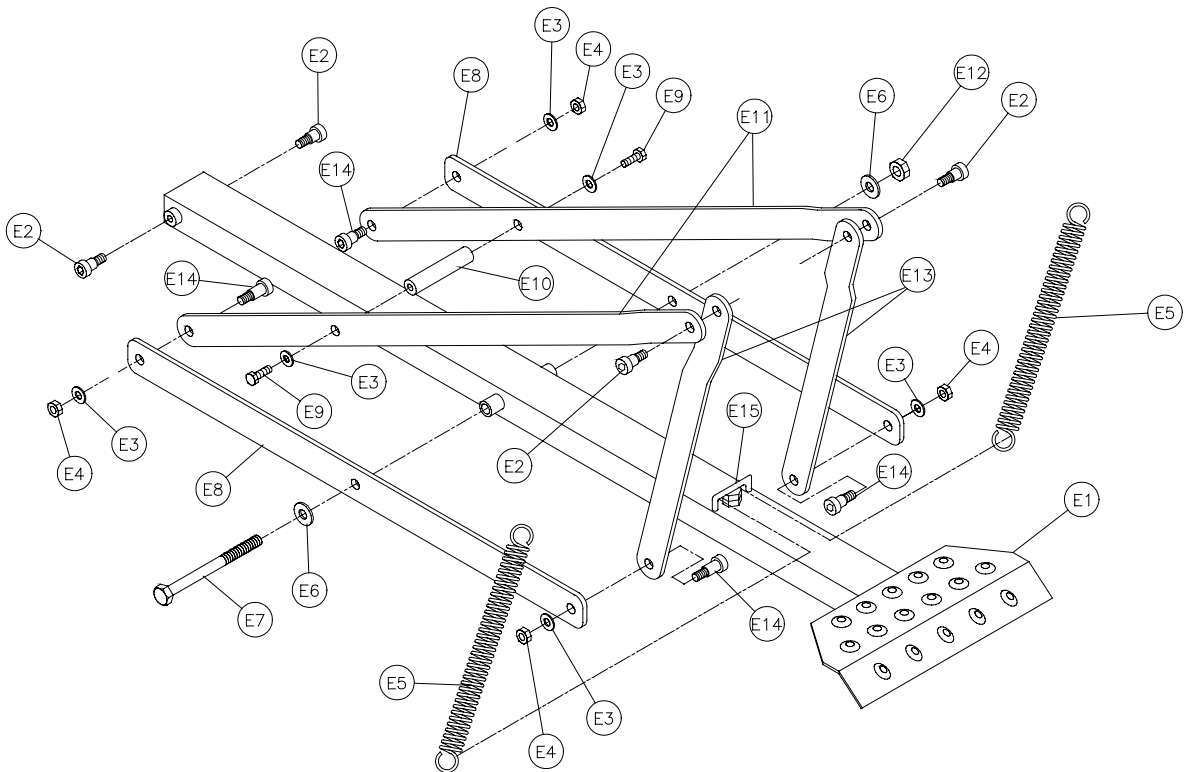


ARBOR SHAFT

# EXPLODED VIEW AND PARTS LIST

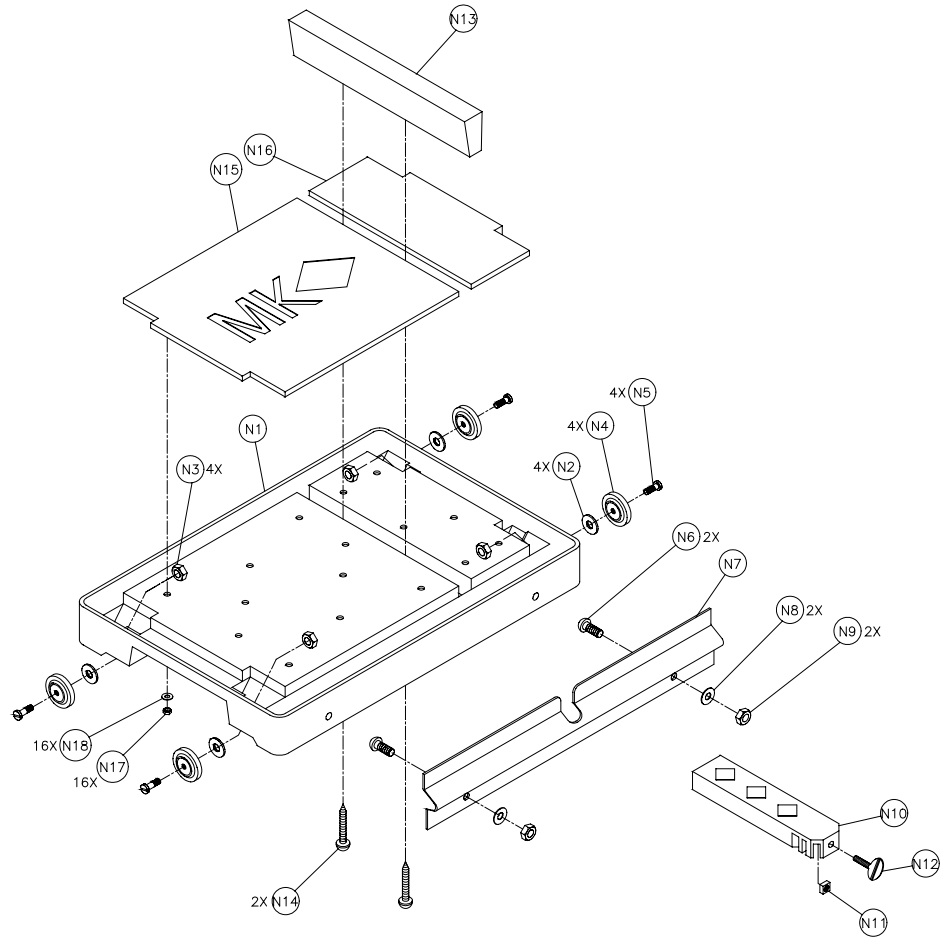


CONNECTING LINKAGE

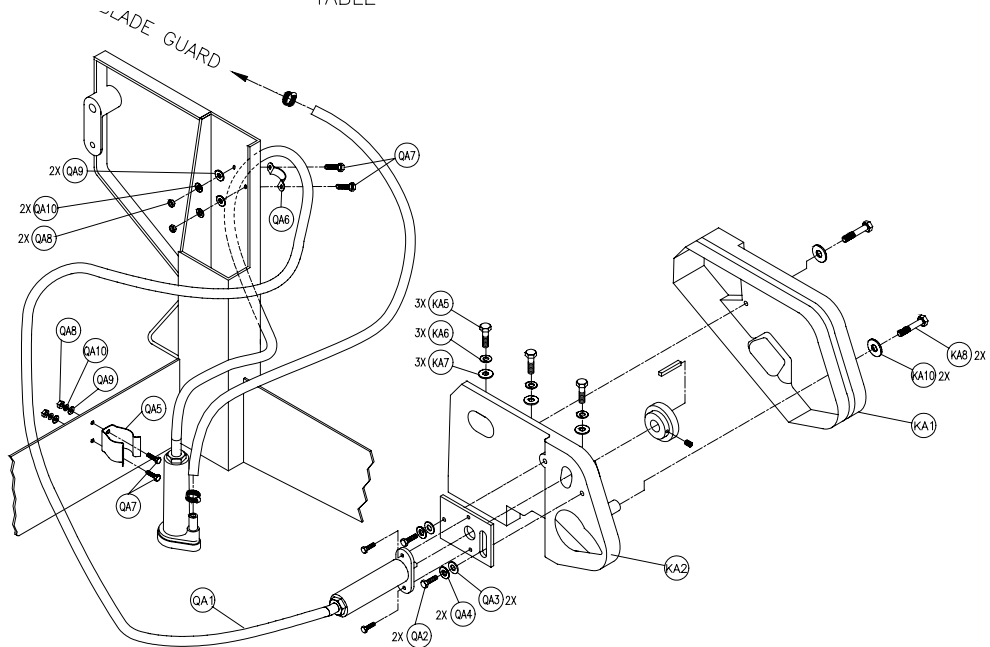


FOOT PEDAL LINKAGE

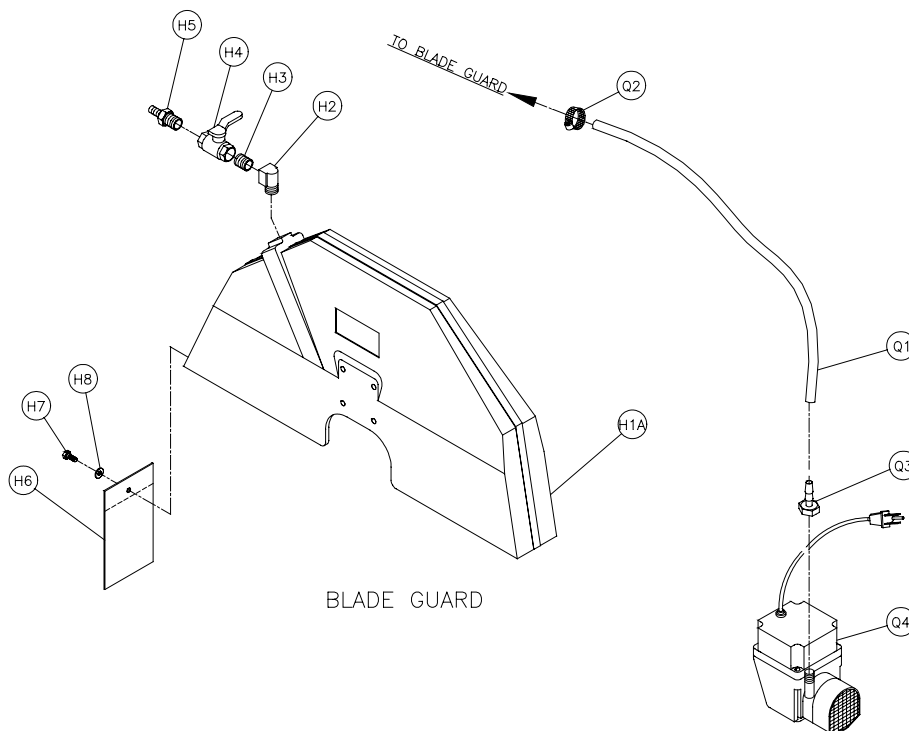
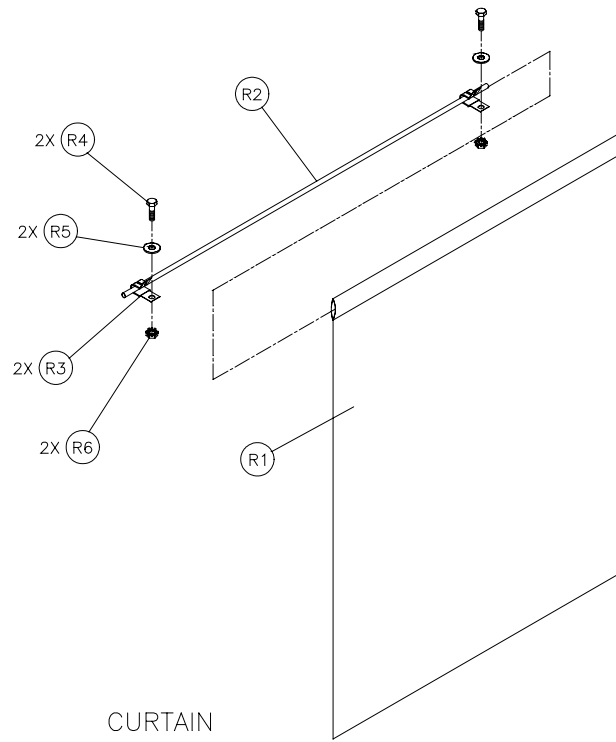
# EXPLODED VIEW AND PARTS LIST



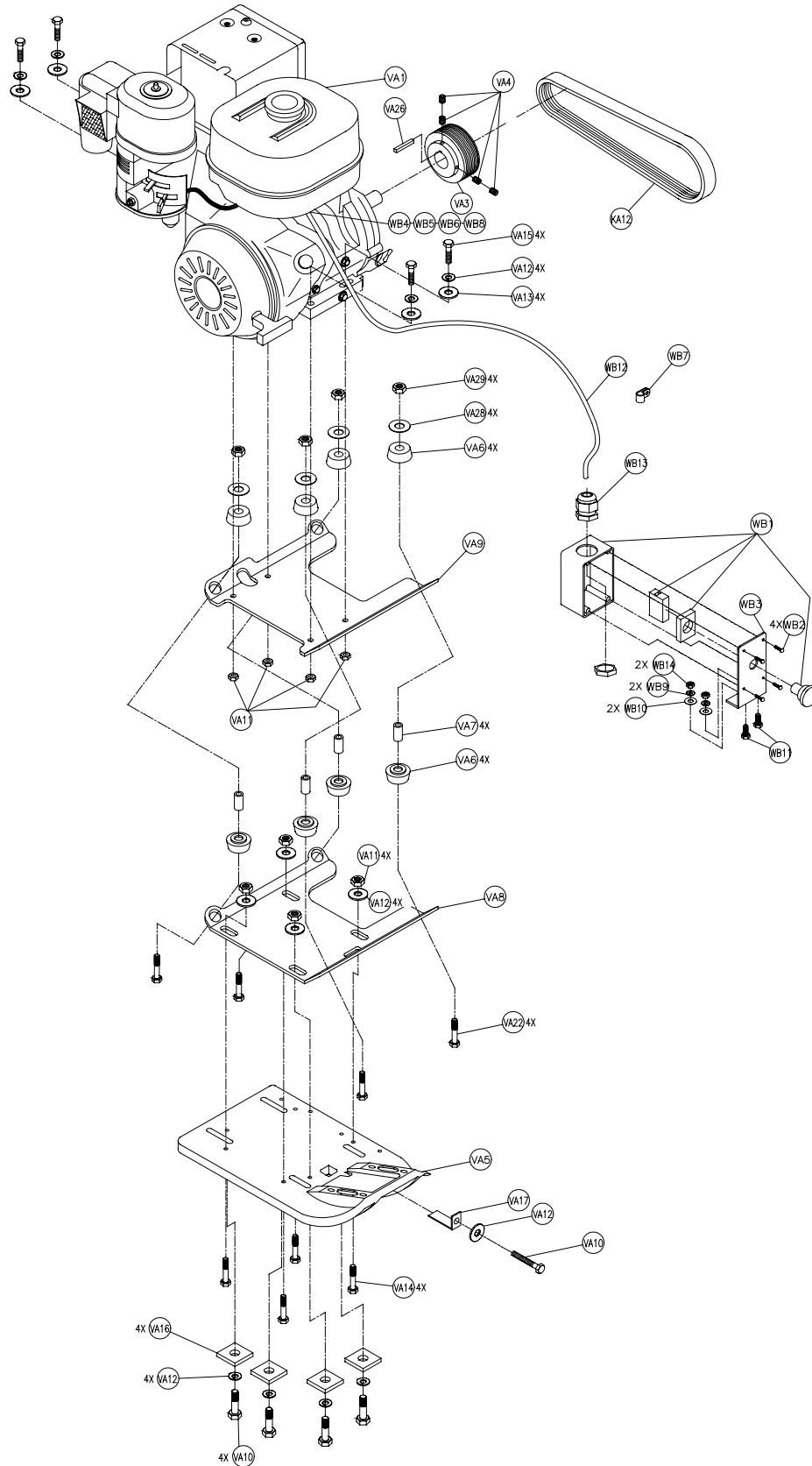
TABLE



# EXPLODED VIEW AND PARTS LIST



# EXPLODED VIEW AND PARTS LIST



# EXPLODED VIEW AND PARTS LIST

## PARTS LIST:

Item	Description	Qty	Part #
<b>A</b>	<b>Frames</b>	-	-
-	Assembly, MK-5000 Frame	-	154629
A1	Frame, MK-5000 Main	1	155541
<b>B</b>	<b>Pivot Bracket</b>	-	-
B1	Bracket, Elevation Pivot	1	156285
B2	Washer, 3/8 ID x 1-1/2 OD, Fender Washer	2	158523
B3	Screw, 1/4-20 x 1/2 Hex Head	2	152608
B4	Screw, 3/8-16 x 3/4 Hex Head	2	153527
B5	Bumper, 1/4 ID x 1-1/2 OD x 3/4	2	154496
B6	Washer, 1/4 SAE Flat	2	151915
B7	Nut, 1/4-20 Hex	2	151893
B8	Fitting, Grease (zerk)	1	153852
B9	Bushing, 1 x 1-1/4 x 2 MIS	2	154571
B10	Shaft, Pivot Arm MK-5000	1	155880
B11	Screw, 1/4-20 x 1/4 Socket Head Set, Cone point	2	153864
<b>C</b>	<b>Cutting Head MK-5000</b>	-	-
C1A	Casting, Cutting Head (comp)	1	155783
C2	Cover, 5000 Mounting Block (Comp)	2	156265
C3	Casting, 5000, Mounting Block (Comp)	2	155762
C4	Bolt, 3/8- 16 x 4-1/2 Hex Head Tap	1	153110
C5	Washer, 1-1/4 x 1-1/4 Square	1	157567
C6	Washer, 3/8 SAE Flat	2	150923
C7	Strap, Motor Adjustment	1	153611
C8	Nut, 3/8- 16 UNC	1	101188
C9	Screw, 1/2 x 1/2 Socket Head Shoulder	4	151753
C10	Washer, 1/2 SAE Flat	3	150924
C11	Joint, 1/2- 20, Female Spherical (RH)	4	154387
C12	Nut, 1/2- 20 Jam (RH)	4	154460
C13	Arm, Rear Connecting	1	158563
C14	Bearing, Ball 5/8 ID x 1-3/8 OD	2	140004
C15	Crank, Bell	1	157426
C16	Collar, Stop 5/8 ID x 1-1/8 OD x 1/2	2	140012
C17	Screw, 5/16-18 x 1/4, Socket Head Set	2	152607
C18	Screw, 5/16 x 18 x 1, Hex HD Cap	7	151743
C19	Washer, 5/16 SAE Flat	7	151754
C20	Washer, 5/16 Split Lock	7	151747
C21	Screw, 5/16-18 x 1 Flat, Socket HD Cap	1	155552
C22	Bushing, .75 x .875 x 1 Steel	3	160826
C23	Washer, Nylon .75 x 1.25 x .093	2	160827
C24	Shim, Mount Pivot Shaft Various	2	155905
C25	Shaft, Blade Guard Pivot	1	155886
C26	Link Rod, Blade Guard	1	158564
C27	Screw, 1/4- 20 x 1 Socket Head Cap	4	151049
C28	Shaft, Cutting Head Pivot	1	154828
C29	Collar, 3/4 Set	1	153814
C30	Washer, 3/8 Split Lock	1	150925
<b>D</b>	<b>Depth Control</b>	-	-
D1	Housing, Adjustment Shaft	1	152116
D2	Screw, 3/4- 6 x 10-7/8, Depth Control	1	150840

## EXPLODED VIEW AND PARTS LIST

Item	Description	Qty	Part #
D3	Spacer, 3/4 ID x 1 OD x 3/4	1	156249
D4	Locknut, Feed Screw	1	158227
D5	Nut, 3/8- 16 Hex Hd.	4	101188
D6	Washer, 3/8 SAE Flat	4	150923
D7	Washer, 3/8 Split Lock	4	150925
D8	Bearing, Flange FC2-25 x 3/4 ID	1	152025
D9	Spacer , .76 ID x 1 OD x 1.187	1	156250
D10	Plate, Bearing Support	1	156278
D11	Screw, 3/8-16 X 1/2 Socket Head Set, cup point	1	153710
D12	Wheel, Depth Control (comp)	1	153646
D13	Knob, Ball, 2", 3/8-16 Insert	1	158519
D15	Screw, 1/2 x 3/4 Socket Head Shoulder	1	156177
D16	Bumper, 1-1/2 Dia. x 1/2- 13 x 3 Stud	2	158605
D17	Nut, 1/2- 13 Hex	2	151282
D18	Fitting, Grease	2	153852
<b>DA</b>	<b>Depth Control Lock</b>	<b>1</b>	<b>157380</b>
DA1	Knob, Depth Lock (comp)	1	155845
DA2	Washer, Thrust 1"OD X 3/8" ID	1	155238
DA3	Lock, 5000GH Depth Control Wheel	1	157336
DA4	Bolt, Hex Head Tap, 3/8-16 x 3	1	155830
DA5	Nut, Hex, 3/8-16	1	101188
<b>E</b>	<b>Foot pedal Linkage</b>	-	-
E1	Foot pedal and Bar, 5000 Block Saw	1	160139
E2	Screw, 1/2 x 1/2 Socket Head Shoulder	4	151753
E3	Washer, 3/8 SAE Flat	6	150923
E4	Nut, 3/8-16 Center Lock	4	153522
E5	Spring, Foot pedal	2	152115
E6	Washer, 1/2 SAE Flat	2	150924
E7	Screw, 1/2-13 x 5-1/2 Hex Head Cap	1	158526
E8	Linkage, Pedal Horizontal	2	152112
E9	Screw, 3/8- 16 x 1 Hex Head Cap	2	152507
E10	Pedal, Shaft Tie	1	156259
E11	Linkage, Pedal Diagonal	2	152113
E12	Nut, 1/2- 13 Center Lock	1	156238
E13	Linkage, Pedal Vertical	2	152114
E14	Screw, 1/2 x 3/4 Socket Head Shoulder	4	156177
E15	Hook Bolt, Weldment, 5000 Block Saw	1	160141
<b>F</b>	<b>Connecting Linkage</b>	-	-
F1	Link, Front Connecting	2	156253
F2	Link, Rear Connecting	1	156252
F3	Joint, 1/2- 20 Female Spherical (RH)	4	154387
F4	Bolt, 1/2 x 1/2 Socket Head Shoulder	4	151753
F5	Screw, Adjustment	4	154433
F6	Nut, 1/2- 20 Jam	4	154460
F7	Bolt 5/16- 18 x 1 Hex HD	4	151743
F8	Washer, 5 /16 SAE Flat	4	151754
F9	Washer, 5/16 Split Lock	4	151747
F10	Nut, 5/16- 18, Hex HD	4	101196
F11	Nut, 1/2- 20 Jam (LH)	4	154461



## EXPLODED VIEW AND PARTS LIST

Item	Description	Qty	Part #
<b>G</b>	<b>Blade Shaft MK-5000</b>	-	-
G1	Casting, Blade Shaft MK-5000 (comp)	1	154637
G2	Screw, 1/2- 20 x 1-1/4 Hex HD Cap	1	152122
G3	Flange, Blade Shaft Outer	1	132290
G4	Flange, Blade Shaft Inner	1	154640
G5	Bearing, Blade Shaft MK2000/5000	2	154594
G6A	Shaft, Blade 3/4 MK 5000	1	154639
G7A	Pulley, 16J28X.75 Bore	1	160362
G8	Key, 3/16 Square x 1-1/8	1	150344
G9	Washer, 5/16 SAE Flat	4	151754
G10	Screw, 5/16- 18 x 2-1/2, Hex HD	4	101675
G11	Washer, 5/16 Split Lock	4	151747
G12	Screw, 5/16- 18 x 3/16 Socket HD Set	4	151167
G13	Bolt, 1/2-13 x 2	4	153533
G14	Washer, 1/2 SAE	4	150924
G15	Washer, Lock, Split 1/2	4	153524
G16	Bearing, Pillow Block, 1.0 ID	2	157924
G17	Guard, Blade Shaft	1	160398
G18	Screw, Hex Head, 1/4-20 x 3/8	3	153526
<b>H</b>	<b>Blade Guard MK-5000</b>	-	-
H1A	Casting, Blade Guard, MK-5000 (comp) 20"	1	159674
H1B	Casting, Blade Guard, MK-5000 (comp) 24"	1	159324
H2	Elbow, 3/8 NPT 90 Brass Street	1	152074
H3	Nipple, 3/8 NPT x Close Brass	1	152073
H4	Valve, 3/8 Ball	1	152075
H5	Fitting, 3/8 MNPT x 3/8 BARB Brass	1	152076
H6	Guard, Splash	1	160310
H7	Screw, 1/4-20 x 5/8 Hex HD	1	150404
H8	Washer, 1/4 SAE Flat	1	151915
<b>KA</b>	<b>Belt Guards, Gas</b>	-	-
KA1	Casting, Belt Guard, Motor, Outer (comp)	1	156149
KA2	Casting, Belt Guard, Motor, Inner (comp)	1	156148
KA3	Casting, Belt Guard, Arbor, Outer (comp)	1	156146
KA4	Casting, Belt Guard, Arbor, Inner (comp)	1	156147
KA5	Screw, Hex Head 3/8-16 x 1-1/4	3	150774
KA6	Washer, Lock, Split 3/8	3	150925
KA7	Washer, Flat, SAE 3/8	3	150923
KA8	Screw, Hex Head 5/16-18 x 2-1/2	4	101675
KA9	Washer, Lock, Split 5/16	4	151747
KA10	Washer, Flat, SAE 5/16	4	151754
KA11	Screw, Hex Head 5/16 x 1-1/4	2	153950
KA12	Belt, Micro-V 16J270	1	160366
KA13	Belt, Micro-V 16J430	1	160367
<b>N</b>	<b>Assembly, 5000 Table</b>	1	152124
N1	Casting, 5000 Table (comp)	1	152455
N2	Washer, 5/16 SAE Flat	4	151754
N3	Nut, 5/16-18 Hex	4	101196
N4	Wheel, Roller	4	152493
N5	Stud, Roller Wheel	4	152494
N6	Bolt, Carriage 7/16-14 x 1-1/4	2	152423
N7	Backstop, Rule Conveyor Cart	1	152126

## EXPLODED VIEW AND PARTS LIST

Item	Description	Qty	Part #
N8	Washer, 7/16 Split Lock	2	152424
N9	Nut, 7/16-14 Hex	2	150922
N10	Casting, Squaring Arm (comp)	1	132332
N11	Nut, 5/16- 18 Square	1	151156
N12	Screw, Thumb, 5/16- 18 x 1-1/2	1	151155
N13	Wood Strip, Table Insert 5000	1	157748
N14	Screw, #6 X 1 Bugle Head Phillips Drywall	2	159906
N15	Mat, 5000 Table (large)	1	160165
N16	Mat, 5000 Table (small)	1	160166
N17	Nut, 1/4-20 Nylock	16	159857
N18	Washer, 3/8 SAE Flat	16	150923
<b>P</b>	<b>Handles</b>	-	-
P1A	Handle, Cutting Head 20"	1	155851
P1B	Handle, Cutting Head 24"	1	155613
P2	Handgrip, 7/8"	1	139949
P3	Screw, 3/8- 16 x 1 Flat Socket HD Cap	2	154019
<b>QA</b>	<b>Water Pump, Mechanical</b>	-	-
QA1	Assembly, Pump, Water, 5000 Gas	1	152355
QA2	Screw, Hex Head Cap 3/8-16X1	2	152507
QA3	Washer, Flat SAE 3/8	2	150923
QA4	Washer, Lock, Split 3/8	2	150925
QA5	Clamp, Spring	1	152453
QA6	Clamp, Cushion Loop, 3/8	1	152592
QA7	Screw, Phil, Self Tap 10-24 x 5/8	4	153681
QA8	Nut, 10-24	4	151749
QA9	Washer, Flat, #10 SAE	4	154369
QA10	Washer, Lock, Split #10 Plated	4	153684
<b>R</b>	<b>Curtain</b>	-	-
R1	Curtain, Splash, MK-5000	1	160764
R2	Rod, Splash Curtain	1	160711
R3	Clamp, Cushion Loop	2	152592
R4	Screw, 1/4- 20 x 3/4 Hex HD	2	152370
R5	Washer, 1/4 Flat SAE	2	151915
R6	Nut, Hex, Kep 1/4- 20	2	153941
<b>S</b>	<b>Accessory Pack</b>	-	-
S1	Carton, Accessory Pack MK-5000	1	152432
S2	Insert, Accessory Pack MK-5000	1	152433
S3	Plug, Rubber Drain	1	153439
S4	Wrench, Masonry Saw	1	134056
S5	MK-5005S Owners Manual	1	158769
S6	Blade, MK-799DE	1	158237
<b>T</b>	<b>Carton</b>	-	-
T1	Carton, 5000	1	152994
T2	Pallet, 5000	1	152072
<b>VA</b>	<b>Engines</b>	-	-
VA1A	Engine, 9Hp, Gasoline, Honda, Cyclone	1	155396
VA1B	Engine, 13Hp, Gasoline, Honda, Cyclone	1	155365
VA2	Deflector	1	155375

## EXPLODED VIEW AND PARTS LIST

Item	Description	Qty	Part #
VA3	Pulley, 16J18X1.0 Bore	1	160365
VA4	Screw, 5/16- 18 x 3/16 Socket HD Set	12	151167
VA5	Casting, Engine Mounting (comp)	1	156140
VA6	Shock Mount, Rubber (MMC#64865K85)	8	156105
VA7	Shock Mount, Stand Off (5/8 X 3/8 TBG x 1.4)	4	156104
VA8	Mount, Engine, Lower Plate	1	158738
VA9	Mount, Engine, Upper Plate	1	158737
VA10	Screw, Hex Head 3/8-16x 1-3/4	4	150920
VA11	Nut, Hex 3/8-16	8	101188
VA12	Washer, Lock, Split 3/8	12	150925
VA13	Washer, Flat Cut 3/8	13	150923
VA14	Screw, Hex Head 3/8-16 x 1-1/4	4	150774
VA15	Screw, Hex Head Cap 3/8-16 x 2	5	153485
VA16	Washer, Square 1-1/4 x 1-1/4	4	157567
VA17	Belt Tensioner	1	160432
VA18	Bearing, Blade Shaft MK2000/5000	2	154594
VA19	Pulley, 16J28X.75 Bore	1	160362
VA20	Pulley, 16J20X.75 Bore	1	160364
VA21	Shaft, Jack	1	156117
VA22	Screw, Hex Head 5/16-18 x 2-1/2	8	101675
VA23	Washer, Split, Lock 5/16	4	151747
VA24	Washer, Flat SAE 5/16	4	151754
VA25	Casting, Blade Shaft MK-5000 (comp)	1	154637
VA26	Key, 1/4 x 1/4 x 1-3/4 Square	1	150796
VA27	Key, 3/16 X 3/16 X 1-3/4	2	157561
VA28	Washer, Fender 5/16 ID x 1-1/2 OD	4	101527
VA29	Nut, Hex 5/16-18	4	101196
VA30	Label, Danger, California, 1.5 X 3.0	1	155581
VA31	Label, Caution, Hot Surface, 1.5 X 3.0	1	155578
VA32	Label, Danger, Lethal Exhaust, 1.5 X 3.0	1	155582
VA33	Label, Warning, Refueling, 1.5 X 3.0	1	155580
VA34	Label, Caution, Safety	1	155576
VA35	Tag, Serial Number	1	157500
<b>WB</b>	<b>Switch, Emergency Stop, Gasoline</b>	-	-
WB1	Assembly, Switch MK-2000/5000	1	157390
WB2	Screw, Pan Head, Phillips 6-32 x 5/8	4	157393
WB3	Bracket, Cover/Mounting 2000/5000	1	157389
WB4	Terminal, Disconnect, male 5000	1	152426
WB5	Connector, Bullet Receptacle	1	152425
WB6	Terminal, 14/16 Ga x #10 Ring	1	154540
WB7	Clamp, Cushion Loop 3/8"	1	152592
WB8	Screw, Hex Head 1/4-20 x 1/2	1	152608
WB9	Washer, Lock, Split 1/4	3	152591
WB10	Washer, Flat SAE 1/4"	2	151915
WB11	Screw, Hex Head 1/4-20 x 1-1/4	2	157145
WB12	Cord, Elec SO 16/2	3 ft	152422
WB13	Connector, Cable, 3/8"	1	152466
WB14	Nut, Hex 1/4-20	2	151893