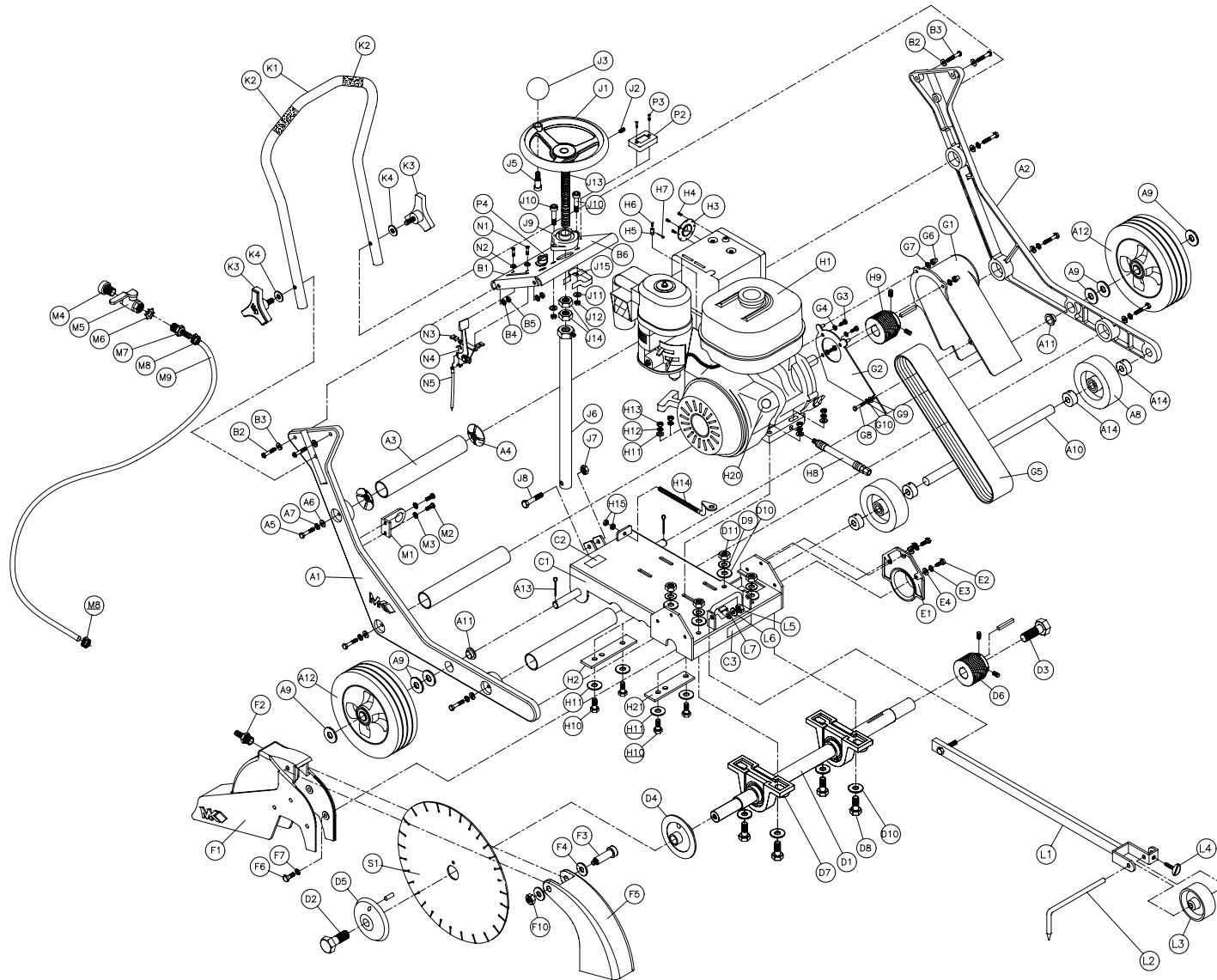


EXPLODED VIEW AND PARTS LIST

EXPLODED VIEW:



EXPLODED VIEW AND PARTS LIST

PARTS LIST:

Item	Description	Qty	MK p/n
A	Assembly, Frame	1	n/a
A1	Casting, Frame, Right	1	159257
A2	Casting, Frame, Left	1	159259
A3	Support, Horizontal Frame	3	158857
A4	Connector, Tube Ø1 3/8 x 5/16-18	6	159206
A5	Screw, 5/16-18 x 1 1/2 Hex Hd. Cap	6	152467
A6	Washer, 5/16 SAE Flat	6	151754
A7	Washer, 5/16 Split Lock	6	151747
A8	Wheel, Front, 4 X 1 1/2	2	150830
A9	Shim, 3/4 x 1 1/4 x .045	6	153699
A10	Axle, Front	1	158862
A11	Bushing, Flange	2	159207
A12	Wheel, Rear, 8 X 2 1/4	2	155986
A13	Pin, Cotter 1/8 x 1.0	4	156613
A14	Collar, Set 3/4	4	153814
B	Assembly, Console	1	n/a
B1	Console, Frame	1	158828
B2	Screw, 5/16-18 x 1 1/2, Hex Head Cap	4	152467
B3	Washer, 5/16 SAE Flat	4	151754
B4	Washer, 5/16 Split Lock	4	151747
B5	Nut, 5/16 Hex	4	101196
B6	Label, Console	1	159208
C	Assembly, Truck	1	n/a
C1	Truck, Weldment	1	159260
C2	Plate, Serial Number	1	157918
C3	Label, CX3	1	159482
C4	Tag, Serial Number, Blank	1	157500
D	Assembly, Blade Shaft	1	n/a
D1	Shaft, Blade,	1	158879
D2	Screw, Blade Shaft, 1/2-13 x 1 Hex Head, Left Hand Thread, Grade 5	1	159203
D3	Screw, Blade Shaft, 1/2-13 x 1 Hex Head, Right Hand Thread, Grade 5	1	159204
D4	Flange, Inner	1	158880
D5	Flange, Outer	1	158881
D6	Pulley, Polly-V 2 1/2 x 1 x J16	1	158470
D7	Bearing, 1" Pillow Block	2	155072
D8	Screw, 3/8-16 X 1 1/2 Hex Head Cap	4	153528
D9	Washer, 3/8 Split Lock	4	150925
D10	Washer, 3/8 SAE Flat	8	101360
D11	Nut, 3/8-16 Hex	4	101188
E	Assembly, Shaft Cover	1	n/a
E1	Casting, Cover, Shaft	1	158843
E2	Screw, 5/16-18 X 1 Hex Head Cap	3	151743
E3	Washer, 5/16 Split Lock	3	151747
E4	Washer, 5/16 SAE Flat	3	151754

EXPLODED VIEW AND PARTS LIST

F	Assembly, Blade Guard	1	n/a
F1	Guard, DC Rear Blade	1	159262DC
F2	Fitting, Brass, 1/8 MNPT X 3/8 BARB	1	152501
F3	Screw, 3/8 X 2 1/2 Socket Head Shoulder, w/ 5/16-18 Thread	1	160492
F4	Washer, 3/8 SAE Flat	2	150923
F5	Guard, DC Front Blade	1	158951DC
F6	Screw, 5/16-18 x 3/4 Hex Head Cap	3	151369
F7	Washer, 5/16 Split Lock	3	151747
F8	Label, Caution, Lift Guard, 1.5 X 3.0	1	155586
F9	Label, Warning, Blade Failure, 1.5 X 3.0	1	155588
F10	Nut, 5/16-18 Nylock Hex	1	151746
G	Assembly, Belt Guard	1	n/a
G1	Casting, Guard, Belt	1	159021
G2	Guard, Inner Belt	1	159250
G3	Screw, 5/16-24 UNF X 1/2 Hex Head Cap	3	159205
G4	Washer, 5/16 Split Lock	3	151747
G5	Belt, Polly-V, 240J16	1	158824
G6	Nut, 1/4-20 Acorn, High Crown	2	159464
G7	Washer, 1/4 Split Lock	2	152591
G8	Screw, 1/4-20 x 1/2 Hex Head Cap	1	152608
G9	Washer, 1/4 SAE Flat	3	151915
G10	Washer, 1/4 Split Lock	3	152591
G11	Label, Caution, Guards in Place, 1.5 x 3.0	1	155587
H	Assembly, Honda 6.5 H.P. Engine		n/a
H1	Honda GX200QXC9 6.5 hp w/ Cyclone Filter	1	159347
H2	Plate, Engine Bolt	1	157847
H3	Deflector, 8 hp	1	155375
H4	Screw, 6-32 x 1/2 Pan Head Phillips Self-Tapping Cap	3	153466
H5	Pin, Throttle Control	1	151284
H6	Screw, 8-32 x 3/8 Pan Head Cap	1	156614
H7	Pin, Cotter, 1/16 x 3/4	1	152518
H8	Oil Drain, Sub-assembly	1	157577-01
H9	Pulley, Polly-V, J16 x 2 1/2 x 1.0 I.D.	1	158959
H10	Screw, 5/16-18 x 2 Hex Head Cap	4	155494
H11	Washer, 3/8 SAE Flat	7	150923
H12	Washer, 3/8 Split Lock	4	150925
H13	Nut, 3/8-16 Hex	4	101188
H14	Arm, Tension	1	157848
H15	Nut, 5/16-18	2	101196
H16	Label, Caution, Hot Surface 1.5 x 3.0	1	155578
H17	Label, Warning, Refueling, 1.5 x 3.0	1	155580
H18	Label, Danger, California, 1.5 x 3.0	1	155581
H19	Label, Danger, Lethal Exhaust, 1.5 x 3.0	1	155582
H20	Plug, Plastic, 3/4 Round	1	156615
H21	Plate, Engine Bolt, Front	1	159868
H22	Label, Home Depot Tool Rental	1	160602
H23	Label, Caution Belt Tension, 1.5 x 3.0	1	155583
H24	Label, Caution, Sparkplug, 1.5 x 3.0	1	155579
H25	Label, Caution, Hands and Feet, 2 X 4	1	155585

EXPLODED VIEW AND PARTS LIST

J	Assembly, Depth Control	1	N/a
J1	Wheel, Depth Control	1	155156
J2	Screw, 3/8-16 X 1/2 Socket Head Set	1	153710
J3	Knob, Ball, 2", 3/8-16 Insert	1	158519
J5	Screw, 1/2 X 3/4 Socket Head Shoulder, w/ 3/8-16 X 5/8 Thread	1	156177
J6	Tube, Depth Control 3/4-10	1	159098
J7	Nut, 3/8-16 Nylock Hex	1	152505
J8	Screw, 3/8-16 X 2 Hex Head Cap	1	153485
J9	Bearing, Flange, FHSLF 204-12G	1	155151
J10	Screw, 3/8-16 X 1 1/2 Hex Head Cap	2	153528
J11	Washer, 3/8 SAE Flat	2	151915
J12	Nut, 3/8-16 Nylock Hex	2	152505
J13	Screw, Depth Control	1	155062
J14	Nut, 3/4-10 Hex	2	155063
J15	Spring, Detent	1	156609
K	Assembly, Handlebar	1	n/a
K1	Handlebar	1	158849
K2	Grip, Handle	2	229413
K3	Tri-Knob, 3/8-16 X 2	2	156770-04
K4	Washer, 3/8 SAE Flat	4	150923
L	Assembly, Pointer	1	155568
L1	Arm, Pointer	1	155056
L2	Pointer	1	155057
L3	Wheel, Pointer, w/ 3/8 X 1/2 X 1 5/8 nylon bushing	1	155066
L4	Screw, 1/4-20 X 3/4 Thumb	2	150991
L5	Nut, 3/8-16 Nylock Hex	3	152505
L6	Washer, 3/8 SAE Flat	1	150923
L7	Clip, Stop	1	157837
M	Assembly, Water Valve	1	155458
M1	Bracket, Water Valve	1	158833
M1A	Bracket, Water Valve	1	158833-OR
M2	Screw, 1/4-20 x 1/2 Hex Head Cap	2	152608
M3	Washer, 1/4 Split Lock	2	152591
M4	Fitting, Brass, 1/2 MNPT X Garden Hose Swivel	1	151322
M5	Valve, Ball, Shut-Off, 1/2 FNPT X 1/2 FNPT	1	150843
M6	Nut, 1/2 NPT	1	152729
M7	Fitting, Brass, 1/2 MNPT X 3/8 BARB	1	153653
M8	Clamp, 5/8 Hose	2	151198
M9	Hose, 3/8 ID Vinyl	30"	150845
N	Assembly, Throttle, Honda	1	n/a
N1	Screw, 10-24 X 1/2 Pan Head Phillips Cap	2	151744
N2	Washer, #10 SAE Flat	2	154369
N3	Nut, 10-24 Clip	2	155407
N4	Assembly, Throttle Control	1	155406
N5	Cable, Throttle, CX3 Honda	1	159479
NA	Assembly, Throttle, Robin	1	n/a
NA1	Screw, 10-24 X 1/2 Pan Head Phillips Cap	2	151744
NA2	Washer, #10 SAE Flat	2	154369

EXPLODED VIEW AND PARTS LIST

NA3	Nut, 10-24 Clip	2	155407
NA4	Assembly, Throttle Control	1	155406
NA5	Cable, Throttle, CX3 Robin	1	159495
P	Assembly, Wire Harness, CX3 Premium	1	n/a
P1	Harness, Wire, CX3 Premium	1	159480
P2	Tachometer (redington)	1	159477
P3	Screw, 6-32 x 3/8, Pan Head Self Tapping	2	153466
P4	Switch, Engine On/Off	1	157851
PA	Assembly, Wire Harness, Standard	1	n/a
PA1	Harness, Wire, Standard	1	158232
PA2	Switch, Engine On/Off	1	157851
Q	Assembly, Accessory Pack,	1	n/a
Q1	Manual, Owner's	1	159348
Q2	Card, Warranty	1	155859
Q3	Tube, Owner's Manual	1	155419
Q4	Wrench, 3/4, Open End	2	159476
R	Assembly, Carton		159349
R1	Carton, Outer	1	159349-01
R2	Carton, Top Pad	1	159349-02
R3	Carton, Tray	1	159349-03
R4	Carton, Chock	1	159349-04
R5	Carton, Accessory Box	1	159349-05
R6	Carton, Bumper	1	159349-06
S	Blades	-	-
S1	MK-CX10, 12 x .100 x 1.0	1	159615-CX
S2	MK-CX10, 14 x .100 x 1.0	1	159616
S3	MK-AX10, 12 x .100 x 1.0	1	159617
S4	MK-AX10, 14 x .100 x 1.0	1	159618
S5	MK-GX10, 12 x .100 x 1.0	1	159619
S6	MK-GX10, 14 x .100 x 1.0	1	159620