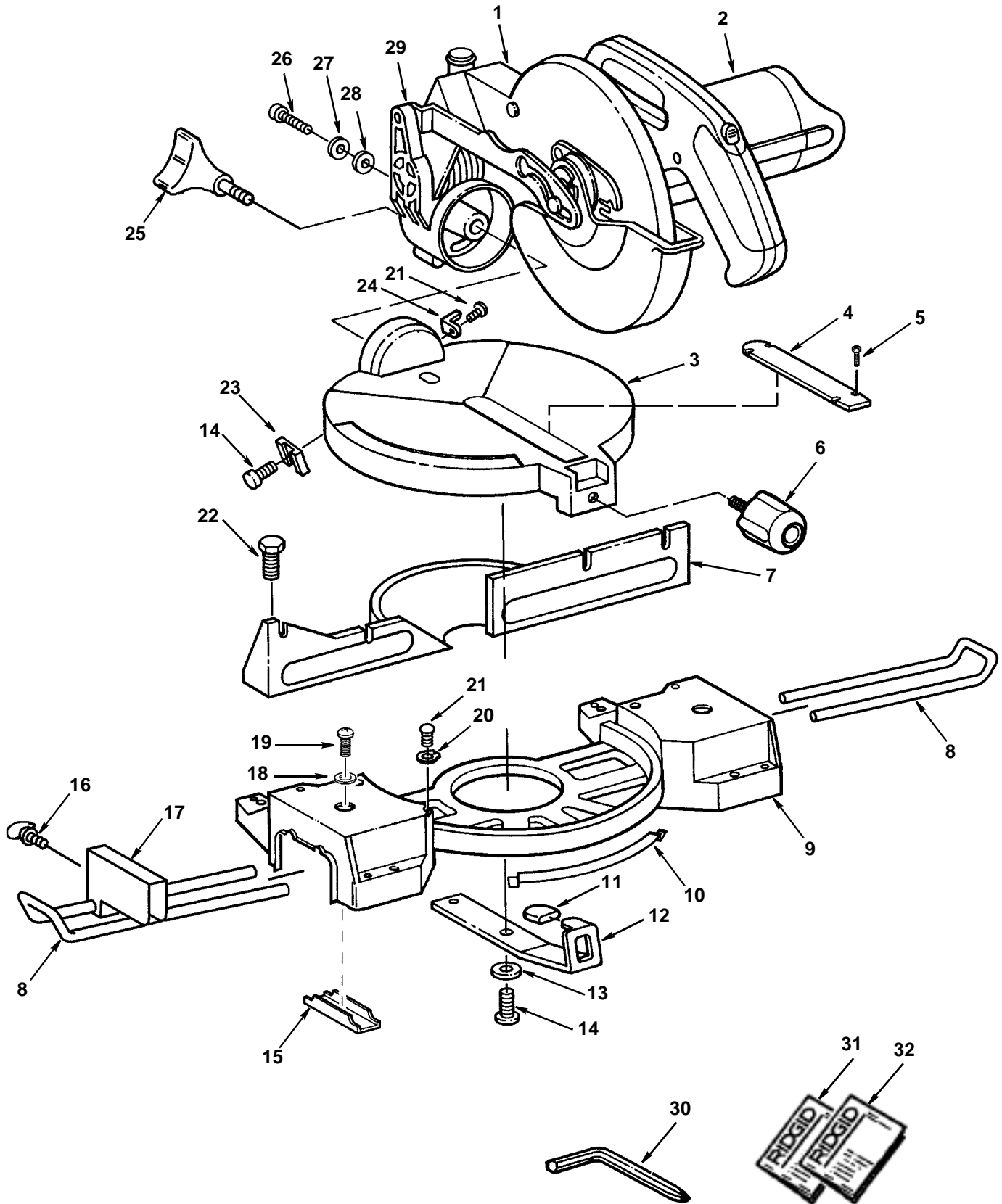


Repair Parts

Parts List for RIDGID 10" Compound Miter Saw Model No. MS10502 RIDGID parts are available on-line at www.ridgidparts.com Figure 1



Repair Parts

Parts List for RIDGID 10" Compound Miter Saw Model No. MS10502

RIDGID parts are available on-line at www.ridgidparts.com

Figure 1

Always order by Part Number - Not by Key Number

Key No.	Part No.	Description
1	See Fig. 4	Blade Guard Assembly
2	See Fig. 2	Motor Assembly
3	828647	Table
4	828343	Plate Throat
5	808275-4	Screw Pan Cr 8-32 x 3/8
6	826055-1	▲ Knob Miter
7	828648	Fence Asm
8	817791	Arm Extension
9	828501	Base
10	827588	Shim Table
11	826163	Cap Grip
12	823297-1	Spring Index
13	805553-24	▲ Washer 11/32 x 7/8 x 1/16
14	9421621	▲ Scr Soc Cap 5/16-18 x 5/8
15	823612	Clamp Extension
16	702204-1	* Screw Thumb 1/4-20 x 1/2

Key No.	Part No.	Description
17	817793	Stop Block
18	805553-6	Washer 21/64 x 5/8 x 1/16
19	813056-2	* Screw Pan Hd. 5/16-18 x 1-1/4
20	826057	Pointer
21	809169-3	* Screw Pan Hd. Type "T" 8-32 x 3/8
22	9416630	* Screw Hex Type "T" 5/16-18 x 1
23	823326	Stop Bevel
24	826068	Indicator Bevel
25	828253	Knob Bevel
26	9416187	* Screw Hex Type "T" 5/16-18 x 3/4
27	805553-4	▲ Washer 21/64 x 9/16 x 1/16
28	821421-6	O-Ring
29	See Fig. 3	Pivot Asm.
30	823314	Wrench Combination
31	SP6364	Owners Manual - English/Spanish
32	SP6364F	Owners Manual - French

* Standard hardware item - may be purchased locally.

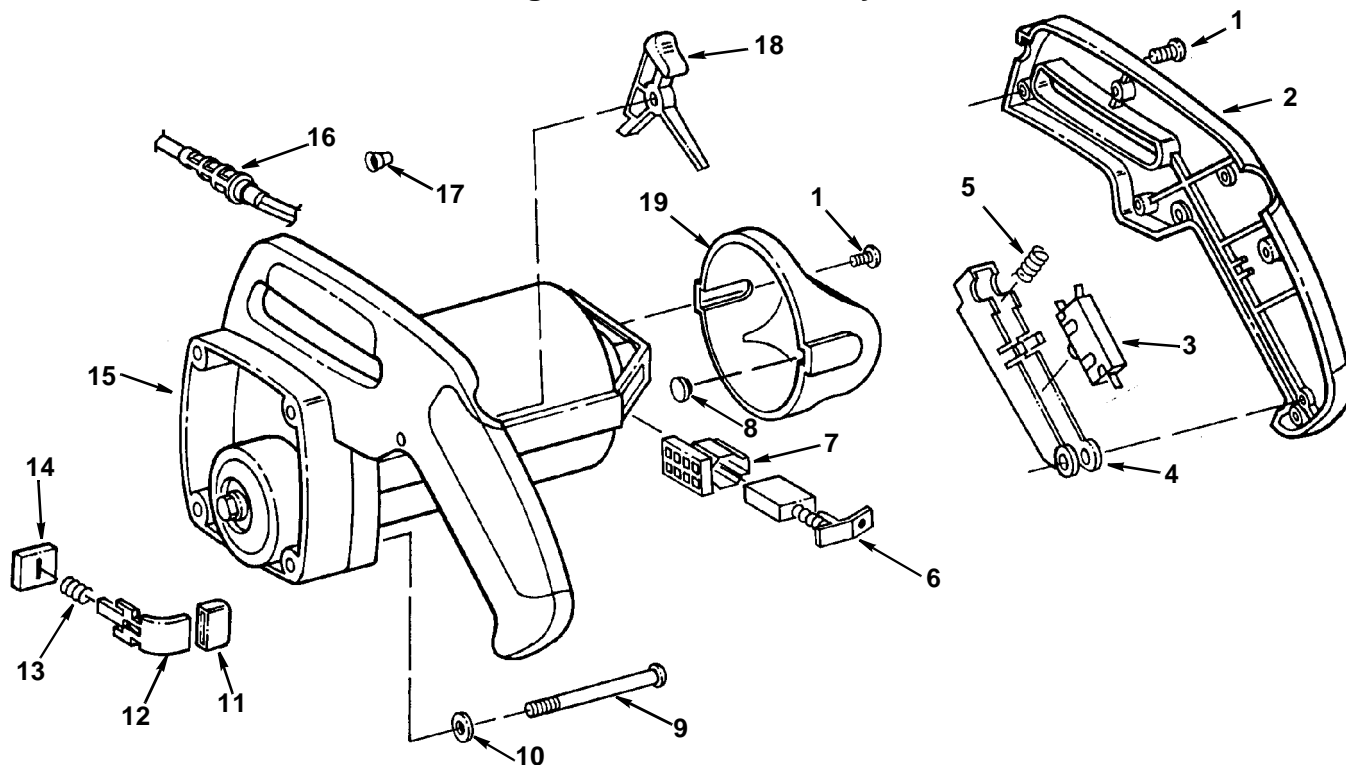
▲ WARNING: These items are important to the safety of this tool. Do not substitute common parts.

Repair Parts

Parts List For RIDGID 10" Compound Miter Saw Model No. MS10502

RIDGID parts are available on-line at www.ridgidparts.com

Figure 2 Motor Assembly



WARNING: For your safety, this miter saw is specially insulated. To reduce the risk of electrical shock, fire or injury, use only parts identical to those identified in the parts list. Reassemble exactly as originally assembled.

Always order by Part Number — Not by Key Number

Key No.	Part No.	Description
1	808380-5	* Screw Pan Cr #8 Plastite
2	826119	Handle Right Half
3	826066	▲ Switch SPDT
4	826012	Trigger
5	826053	▲ Spring Compression
6	826016	▲ Brush
7	826017	▲ Holder Brush
8	354653	Bumper
9	826453	Screw Pn. Hd. 10-32 x 2-1/4
10	805549-22	* Washer 13/64 x 3/8 x 1/32

Key No.	Part No.	Description
11	826163	Cap Grip
12	826062	Lock Arbor
13	823322	Spring Arbor Lock
14	823417	Seal
15	828646	▲ Motor
16	826040	▲ Cord w/Plug
17	803709-1	▲ Connector Wire
18	826120	▲ Button Lock
19	826064	Cap Motor Housing

* Standard hardware - may be purchased locally

▲ WARNING: These items are important to the safety of this tool. Do not substitute common parts.

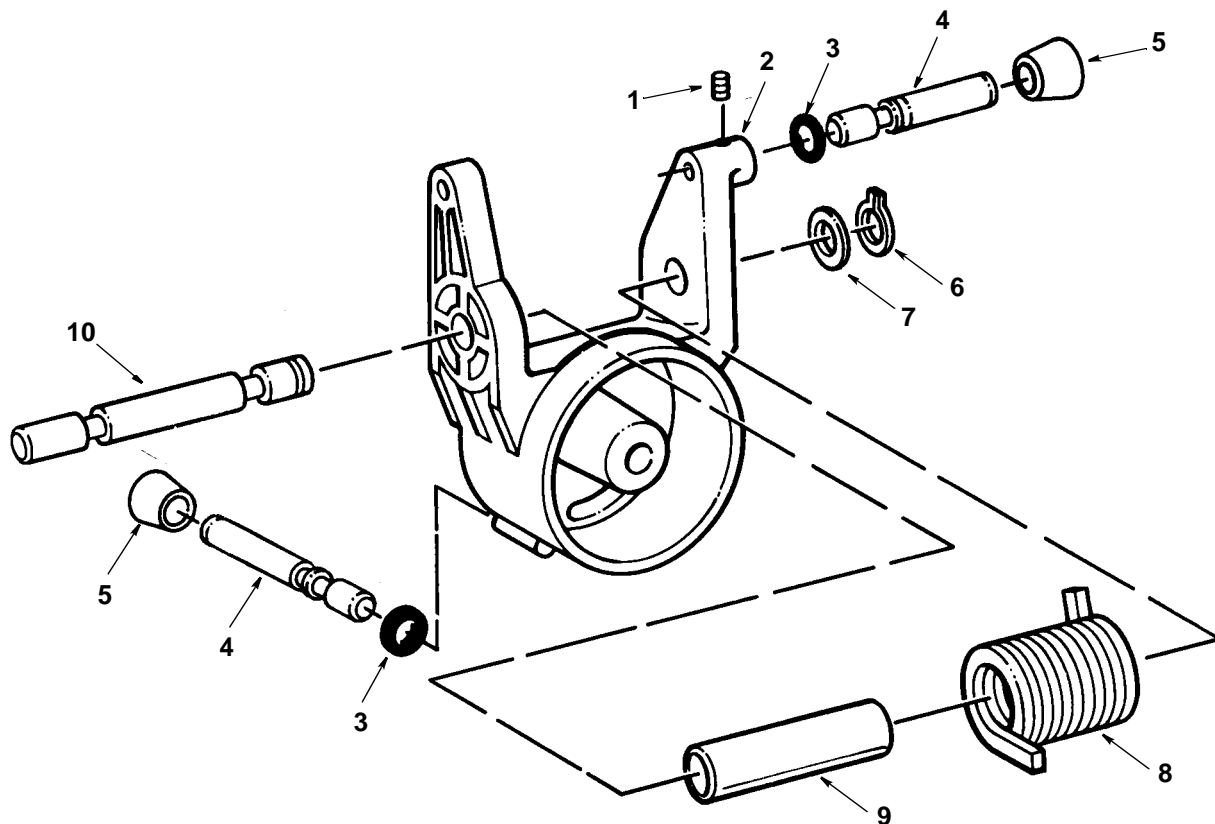
• WARNING: Any attempt to repair or replace electrical parts on this unit may create a hazard unless repair is done by a qualified service technician. Repair service is available from authorized RIDGID Service Center.

Repair Parts

Parts List For RIDGID 10" Compound Miter Saw Model No. MS10502

RIDGID parts are available on-line at www.ridgidparts.com

Figure 3 - Pivot Assembly



Always order by Part Number — Not by Key Number

Key No.	Part No.	Description
1	803309-2	Screw Set Hex Soc. Locking 10-32 x 3/8
2	828504	Pivot
3	821421-2	O-Ring
4	826058	Shaft Stop
5	826357	Knob
6	805606	Ring Retaining
7	803899-5	Washer Thrust
8	823328	▲• ‡ Spring Torsion
9	823298-1	Spacer Spring
10	823301	Shaft Pivot

* Standard hardware - may be purchased locally

▲ WARNING: These items are important to the safety of this tool. Do not substitute common parts.

‡ CAUTION: See mechanical assembly caution on page 31.

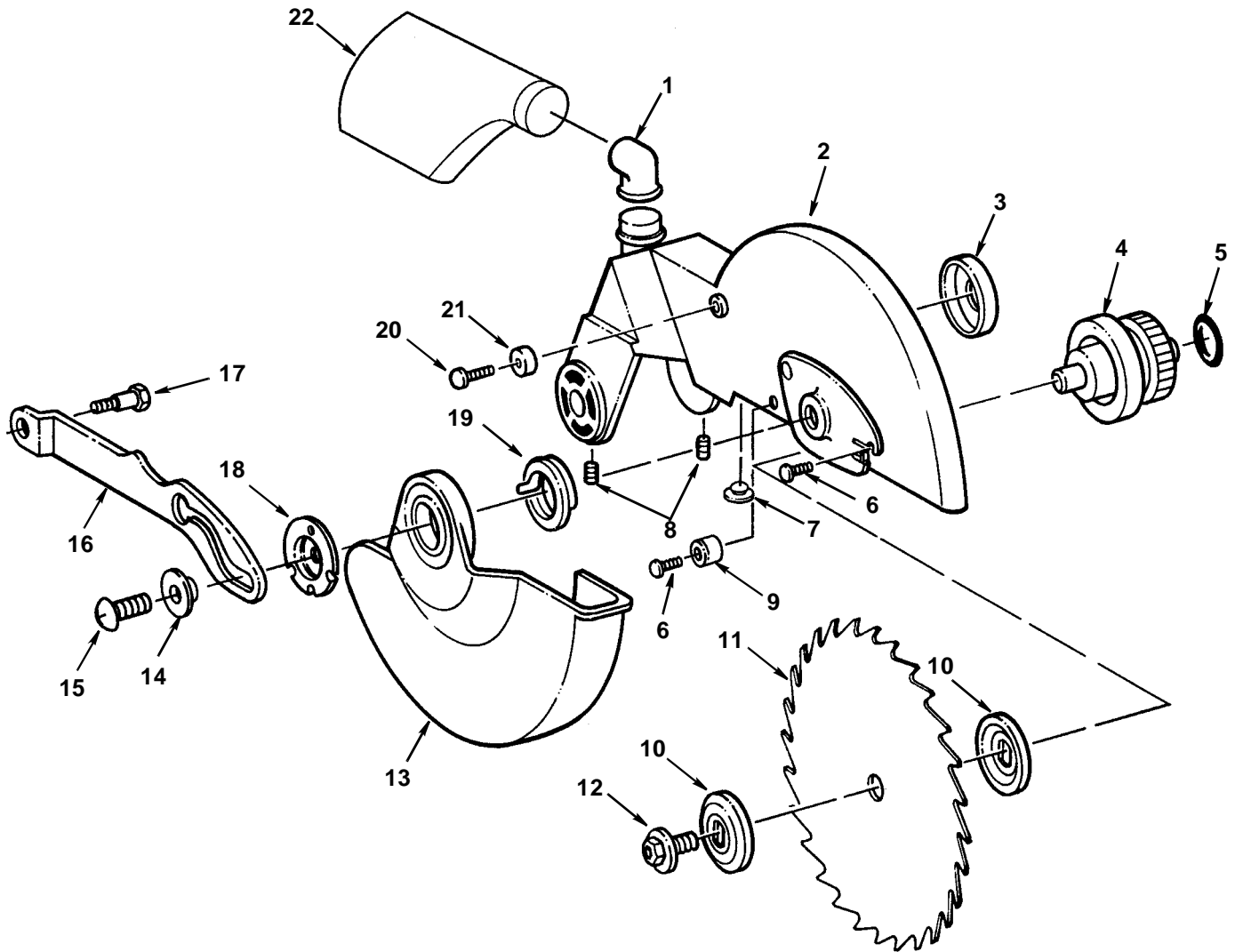
• **WARNING:** Uncontrolled spring release or misinstallation of these parts may create a hazard unless repair is done by a qualified service technician. Repair service is available from authorized RIDGID Service Center.

Repair Parts

Parts List For RIDGID 10" Compound Miter Saw Model No. MS10502

RIDGID parts are available on-line at www.ridgidparts.com

Figure 4



Repair Parts

Parts List For RIDGID 10" Compound Miter Saw Model No. MS10502

RIDGID parts are available on-line at www.ridgidparts.com

Figure 4

Always order by Part Number — Not by Key Number

Key No.	Part No.	Description	Key No.	Part No.	Description
1	37429	Dust Elbow	13	826039	‡ Guard Lower
2	826487-1	Arm/Guard Asm	14	826765	Retainer Bearing
3	823300-1	Washer Cup	15	820219-1	▲ Screw Pan Cr Ty "TT" 1/4-20 x 3/8
4	823316-1	Arbor Asm	16	826026	Link Actuator
5	821421-3	Ring "O"	17	821521-1	▲ Screw Shoulder
6	9416390	* Screw Pan Cr Ty "T" 10-32 x 5/8	18	823840-3	Retainer Guard Asm
7	826031	Bumper Guard	19	823292	•‡ Spring Guard
8	826481	Screw Lock Set 1/4-20 x 3/8	20	821521	Screw Shoulder
9	826720	Bumper	21	823306-1	Bearing Cam
10	823303	▲ Collar Blade	22	828364	Bag Dust
11	827413	Blade Saw Carbide			
12	823304	Screw Blade			

* Standard hardware - may be purchased locally

▲ WARNING: These items are important to the safety of this tool. Do not substitute common parts.

‡ CAUTION: See mechanical assembly caution below.

- **WARNING: Uncontrolled spring release or misinstallation of these parts may create a hazard unless repair is done by a qualified service technician. Repair service is available from authorized RIDGID Service Center.**

CAUTION: Mechanical Assembly, to qualified service technician.

1. Wear approved eye protection when working with coil spring including spring, arbor lock 823322.
2. Incorrect reassembly of torsion spring 823328 can cause an unsafe condition because cutting head fails to rise fully to stop, or because spring fails through over-stress.
3. Improper reassembly of mechanisms controlling movement of lower guard 826039 can cause an unsafe condition because guard fails to operate freely as cutting head is moved up and down.