

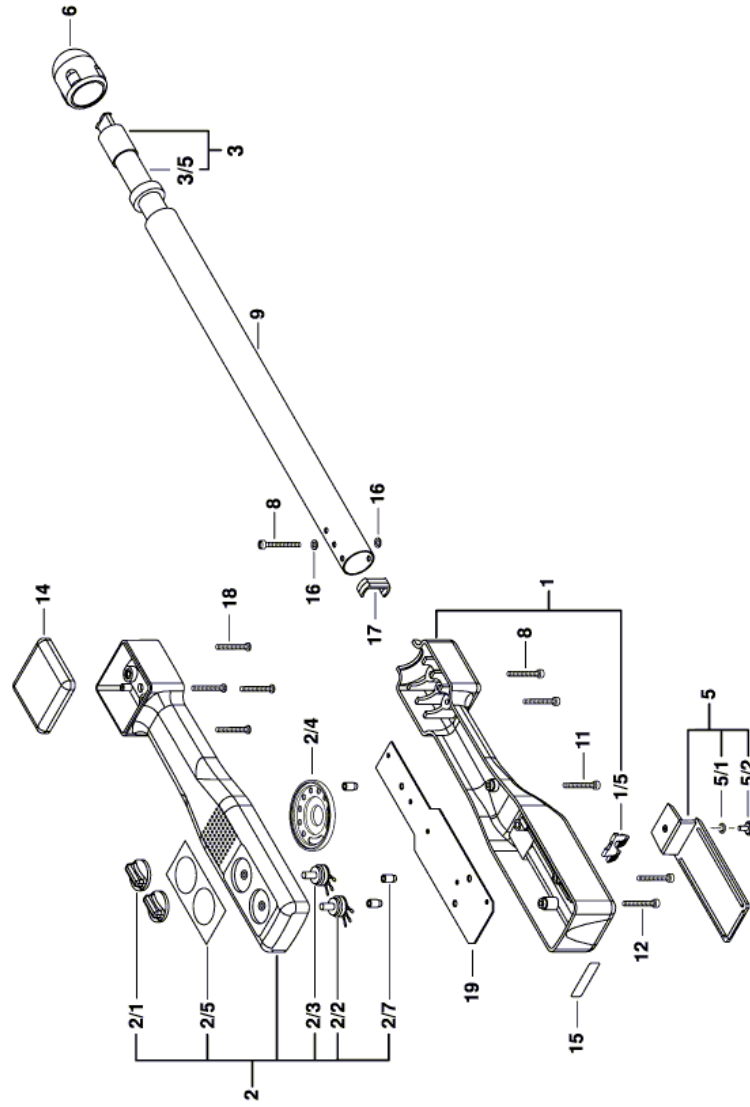
**. - F 034 K82 200 - MT101**

www.powertools-aftersaleservice.com

**BOSCH**

Item	Part Number	Description	Illustration	Price	Quantity	Price Group
1	2 610 A04 505	Bottom	1	-,-	1	34
1/5	2 610 A04 402	battery clip	1	-,-	2	11
2	2 610 A04 498	Upper Housing	1	-,-	1	42
2/1	2 610 A04 404	Knob	1	-,-	2	21
2/2	2 610 A04 405	Electronic Module	1	-,-	1	21
2/3	2 610 A04 521	Switch	1	-,-	1	22
2/4	2 610 A04 435	Loudspeaker 8 Ohm	1	-,-	1	29
2/5	2 610 A04 436	Label	1	-,-	1	17
2/7	2 610 A04 441	Spacer	1	-,-	3	10
3	2 610 A04 473	Tube	1	-,-	1	53
3/5	2 610 A04 375	Rubber	1	-,-	1	11
5	2 610 A04 534	Battery Cover	1	-,-	1	40
5/1	2 610 A04 338	O-Ring	1	-,-	1	10
5/2	2 610 A04 403	Screw	1	-,-	1	16
6	2 610 A04 572	Bumper	1	-,-	1	21
8	2 610 A04 442	Screw	1	-,-	3	11
9	2 610 A04 418	Tube	1	-,-	1	33
11	2 610 A04 486	Screw	1	-,-	1	10
12	2 610 A04 520	Screw	1	-,-	2	11
14	2 610 A04 522	Cover	1	-,-	1	23
15	2 610 A04 419	Label	1	-,-	1	16
16	2 610 A04 519	Contact strap	1	-,-	2	10
17	2 610 A04 616	Cable Clip	1	-,-	1	15
18	2 610 A04 484	Screw	1	-,-	4	10
19	2 610 A04 540	Display	1	-,-	1	57

Illustration - Type E



F 034 K82 200  
Stand } 16-07-20  
Issue } 16-07-20  
**Fig./Abb. 1**

Änderungen vorbehalten  
Modifications reserved  
Modificacions reservées  
Salvo modificaciones

Information subject to change without further notice.