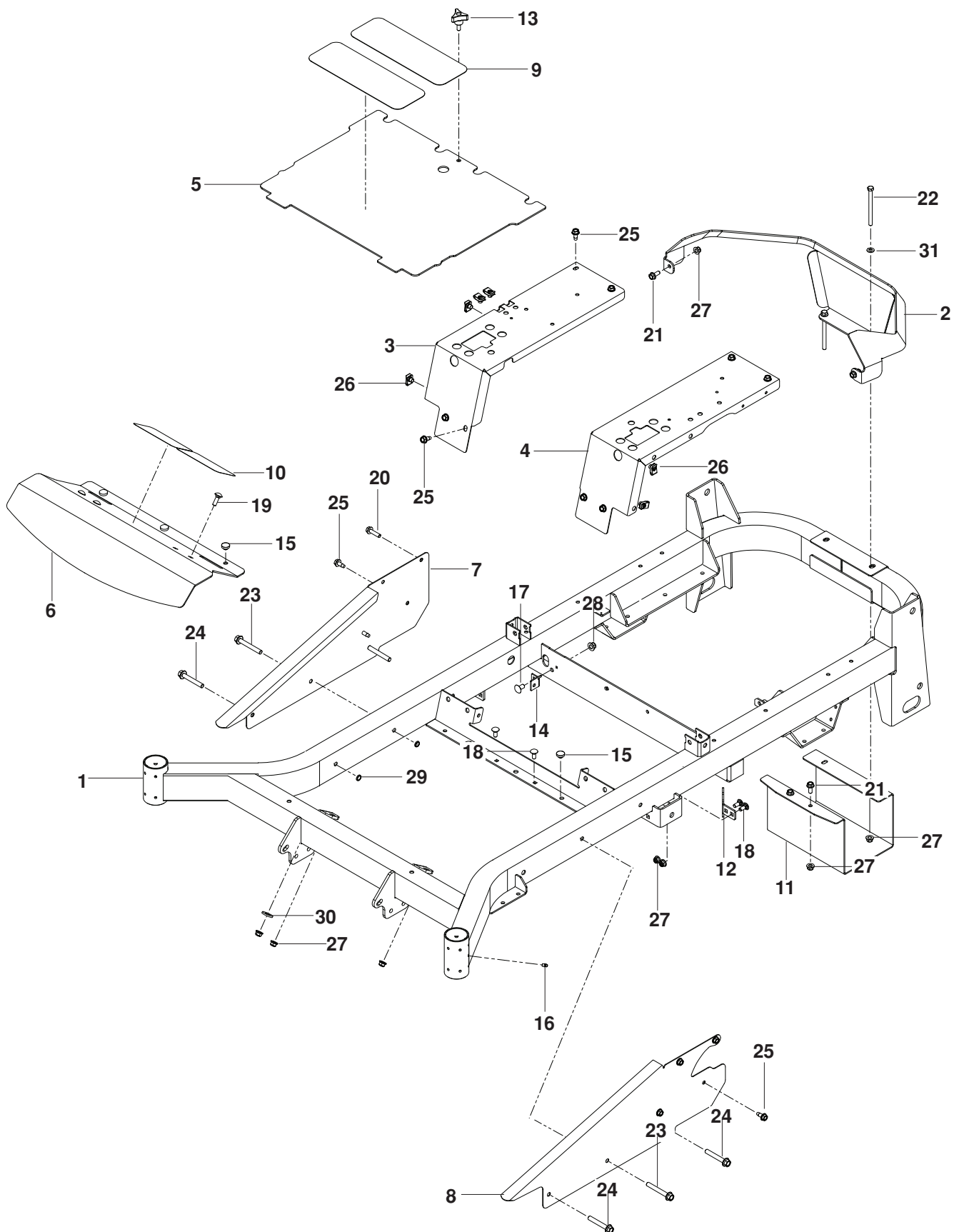


# FRAME

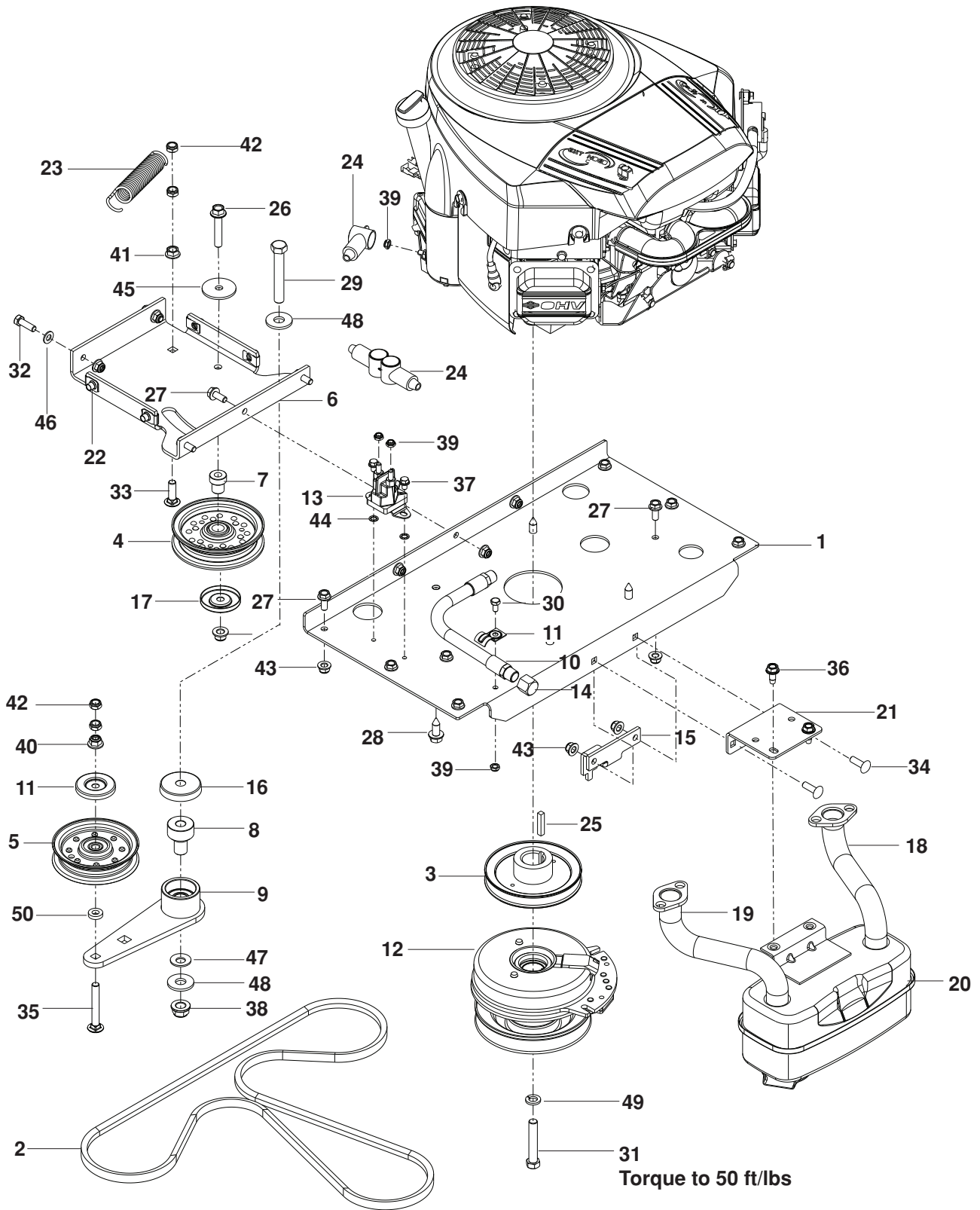


# FRAME

---

ITEM	PART NO.	QTY.	DESCRIPTION	ITEM	PART NO.	QTY.	DESCRIPTION
1..	575 608701....	1	....FRAME w/ SAFETY DECALS	17..	539 109117....	2	....RHSNB $\frac{3}{8}$ -16 x $\frac{3}{4}$
2..	575 348402....	1	....GUARD, REAR	18..	539 990316....	6	....RHSNB $\frac{5}{16}$ -18 x $\frac{3}{4}$
3..	576 694802....	1	....PANEL, RT	19..	539 990208....	3	....RHSNB $\frac{5}{16}$ -18 x 1
4..	576 694702....	1	....PANEL, LT	20..	525 544001....	1	....HHFS $\frac{5}{16}$ -18 x 1 $\frac{1}{4}$ TPBLT
5..	539 132744....	1	....PLATE w/ SAFETY DECALS	21..	525 464701....	4	....HHFS $\frac{5}{16}$ -18 x $\frac{3}{4}$
6..	539 132380....	1	....PLATE, FOOTREST	22..	539 102335....	3	....HCS $\frac{5}{16}$ -18 x 4
7..	539 131579....	1	....SIDE, RT	23..	539 131781....	2	....HHFS $\frac{3}{8}$ -16 x 2 $\frac{3}{4}$
8..	539 131577....	1	....SIDE, LT	24..	539 133006....	4	....HHFS $\frac{3}{8}$ -16 x 2 $\frac{1}{2}$
9..	539 977778....	2	....PAD, ABRASIVE LG	25..	539 107475..	14	....BOLT $\frac{5}{16}$ -18 x $\frac{3}{4}$ THD FRM
10..	539 121322....	2	....PAD, ABRASIVE SM	26..	539 104763....	8	....RETAINER $\frac{5}{16}$ -18 U TYPE
11..	575 230402....	1	....SHIELD, MUFFLER	27..	539 112899..	15	....NUT $\frac{5}{16}$ -18 FLANGE NYLOC
12..	505 256401....	2	....STOP, DECK	28..	521 996501....	2	....NUT $\frac{3}{8}$ -16 HEX FLG NYLOC
13..	539 104411....	1	....KNOB w/ STUD	29..	539 200282....	6	....NUT $\frac{3}{8}$ -16 HEX JAM NYLOC
14..	575 245202....	2	....BRACKET, DAMPENER	30..	539 990250....	1	....WASHER
15..	539 102587....	5	....GROMMET, BUMPER	31..	539 990188....	2	....WASHER $\frac{5}{16}$ SAE FLAT
16..	539 101474....	2	....ZERK				

# ENGINE PLATE

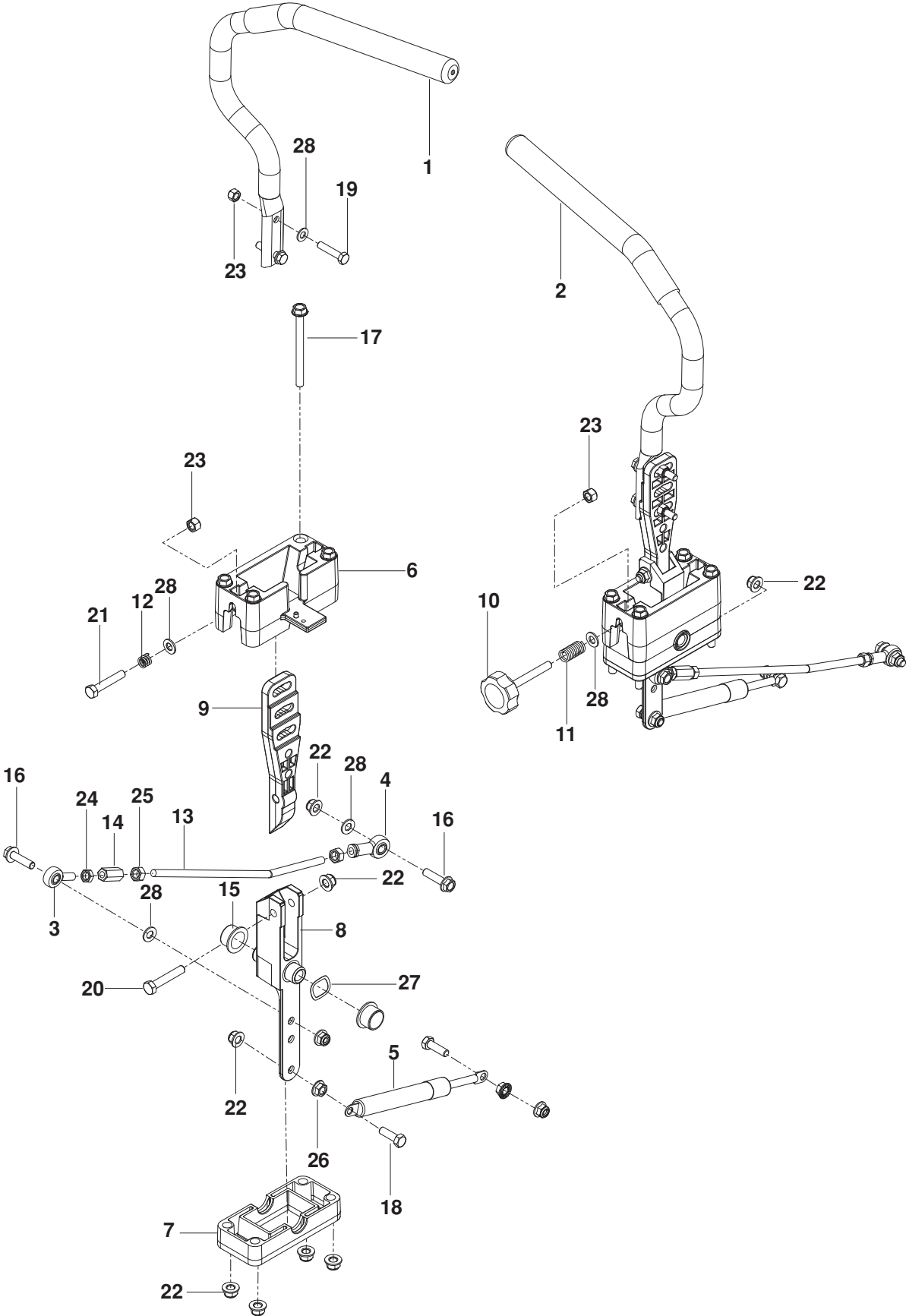


# ENGINE PLATE

---

ITEM	PART NO.	QTY.	DESCRIPTION	ITEM	PART NO.	QTY.	DESCRIPTION
1..	575 608801....	1	.... PLATE, ENGINE w/ DECAL	28..	532 120616....	4	.... HHFS $\frac{3}{8}$ -16 x 1 THD FRM
2..	574 870901....	1	.... BELT	29..	539 103433....	1	.... HCS $\frac{1}{2}$ -13 x $3\frac{1}{4}$
3..	574 811001....	1	.... PULLEY, V $1\frac{1}{8}$ BORE	30..	539 990071....	1	.... HCS $\frac{1}{4}$ -20 x $\frac{1}{2}$
4..	539 976688....	1	.... PULLEY, IDLER	31..	539 991120....	1	.... HCS $\frac{7}{16}$ -20 x $2\frac{1}{2}$
5..	539 107620....	1	.... PULLEY, IDLER SECONDARY	32..	539 990209....	2	.... HCS $\frac{5}{16}$ -18 x 1
6..	574 846402....	1	.... PLATE, IDLER SUPPORT	33..	539 100413....	1	.... RHSNB $\frac{3}{8}$ -16 x $1\frac{1}{4}$
7..	525 435601....	1	.... PIVOT, IDLER	34..	539 107271....	2	.... RHSNB $\frac{5}{16}$ -18 x 1
8..	510 206301....	1	.... PIVOT, BEARING	35..	539 130235....	1	.... RHSNB $\frac{3}{8}$ -16 x $2\frac{3}{4}$
9..	510 041603....	1	.... ARM, IDLER w/ BEARINGS	36..	539 107475....	2	.... BOLT $\frac{5}{16}$ -18 x $\frac{3}{4}$ THD FRM
10..	539 101362....	1	.... HOSE, DRAIN	37..	539 990302....	2	.... SCREW $\frac{1}{4}$ -20 x 8 THD FRM
11..	539 101363....	1	.... CLAMP	38..	521 991101....	1	.... NUT $\frac{1}{2}$ -13 HEX FLG NYLOC
12..	574 607001....	1	.... CLUTCH, 200 FT-LB	39..	539 108120....	4	.... NUT $\frac{1}{4}$ -20 HEX THIN NYLOC
13..	539 101714....	1	.... SOLENOID	40..	521 996501....	2	.... NUT $\frac{3}{8}$ -16 HEX FLG NYLOC
14..	539 101364....	1	.... PLUG, OIL	41..	539 990613....	1	.... NUT $\frac{3}{8}$ -16 HEX WHIZLK
15..	575 017302....	1	.... STOP, CLUTCH	42..	539 200282....	4	.... NUT $\frac{3}{8}$ -16 HEX JAM NYLOC
16..	539 114662....	1	.... SHIELD, DUST	43..	539 112899..	15	.... NUT $\frac{5}{16}$ -18 HEX FLG NYLOC
17..	510 254501....	2	.... SHIELD, DUST	44..	539 990053....	2	.... WASHER $\frac{1}{4}$ INT TOOTH LK
18..	532 159955....	1	.... EXHAUST TUBE, RT	45..	539 111897....	1	.... WASHER, SPECIAL
19..	532 160589....	1	.... EXHAUST TUBE, LT	46..	539 990188....	2	.... WASHER $\frac{5}{16}$ SAE FLAT
20..	539 131604....	1	.... MUFFLER ASM TWIN	47..	539 115528....	1	.... WASHER $\frac{1}{2}$ " BELLEVILLE
21..	575 229902....	1	.... BRACKET, MUFFLER, BLK	48..	539 109554....	2	.... WASHER $\frac{1}{2}$ FLAT ZD
22..	539 104763....	4	.... RETAINER $\frac{5}{16}$ -18 U TYPE	49..	539 990247....	1	.... WASHER $\frac{7}{16}$ SLW
23..	510 254401....	1	.... SPRING, PUMP	50..	539 109562....	1	.... WASHER $\frac{3}{8}$ x $\frac{3}{4}$
24..	539 102759....	3	.... INSULATOR	NOT SHOWN			
25..	539 912757....	1	.... KEY $\frac{1}{4}$ SQ x $1\frac{1}{4}$	539 102757 ...	1	.... CABLE, POSITIVE	
26..	525 866201....	1	.... HHFS $\frac{3}{8}$ -16 x 2	576 413201 ...	1	.... PIGTAIL	
27..	525 464701..	11	.... HHFS $\frac{5}{16}$ -18 x $\frac{3}{4}$	576 031702 ...	1	.... HEAT SHIELD (Optional)	

# STEERING

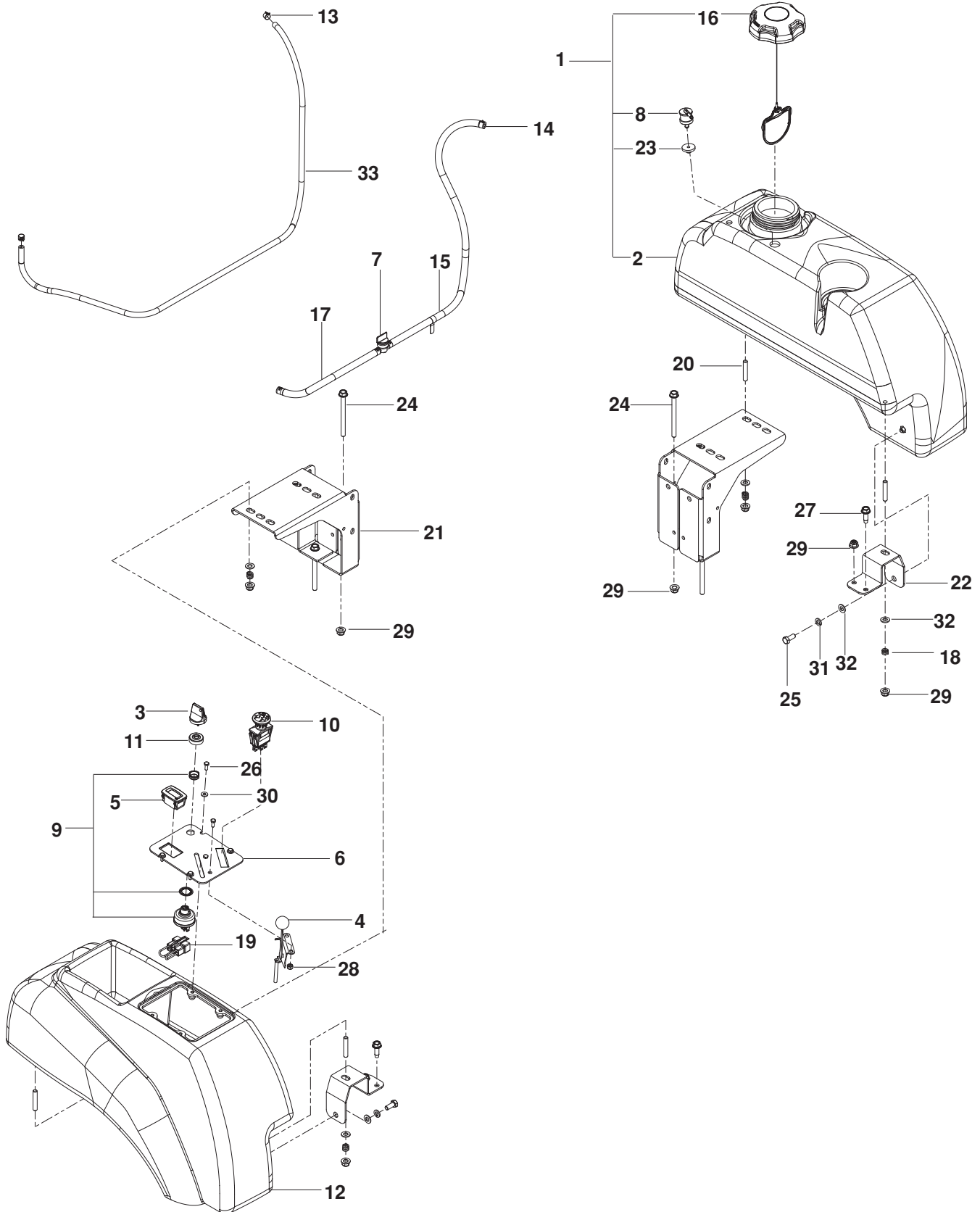


# STEERING

---

ITEM	PART NO.	QTY.	DESCRIPTION	ITEM	PART NO.	QTY.	DESCRIPTION
1..	539 132009....	1	.... LEVER, DRIVE w/ GRIP RT	15..	539 131518....	4	.... BEARING, FLANGE
2..	539 132010....	1	.... LEVER, DRIVE w/ GRIP LT	16..	525 544001....	4	.... HHFS $\frac{5}{16}$ -18 x 1 $\frac{1}{4}$ TPBLT
3..	539 116690....	2	.... ROD END LH	17..	539 131780....	8	.... HHFS $\frac{5}{16}$ -18 x 3 $\frac{3}{4}$
4..	539 115729....	2	.... ROD END RH	18..	539 990209....	2	.... HCS $\frac{5}{16}$ -18 x 1
5..	539 102720....	2	.... DAMPENER	19..	539 976935....	4	.... HCS $\frac{5}{16}$ -18 x 1 $\frac{1}{2}$
6..	539 131517....	2	.... BLOCK, UPPER	20..	539 990669....	2	.... HCS $\frac{5}{16}$ -18 x 1 $\frac{3}{4}$
7..	539 131519....	2	.... BLOCK, LOWER	21..	539 108394....	1	.... BOLT $\frac{5}{16}$ -18 x 1 $\frac{3}{4}$ TPBLT
8..	522 452901....	2	.... PIVOT SECTION, DR CNTRL	22..	539 112899..	16	.... NUT $\frac{5}{16}$ -18 FLANGE NYLOC
9..	539 131521....	2	.... MOUNT, DR CNTRL HANDLE	23..	539 990717....	6	.... NUT $\frac{5}{16}$ -18 HEX NYLOC
10..	539 131799....	1	.... KNOB	24..	539 991073....	2	.... NUT $\frac{5}{16}$ -24 HEX JAM LH
11..	539 101224....	1	.... SPRING	25..	539 990223....	4	.... NUT $\frac{5}{16}$ -24 HEX
12..	539 102845....	1	.... SPRING	26..	539 990585....	4	.... NUT $\frac{5}{16}$ -18 HEX WHIZLK
13..	574 811401....	2	.... ROD, MOTION CONTROL	27..	539 133007....	2	.... WASHER .825, WAVE
14..	539 116689....	2	.... COUPLER, ROD END	28..	539 990188..	10	.... WASHER $\frac{5}{16}$ SAE FLAT

# IGNITION SYSTEM



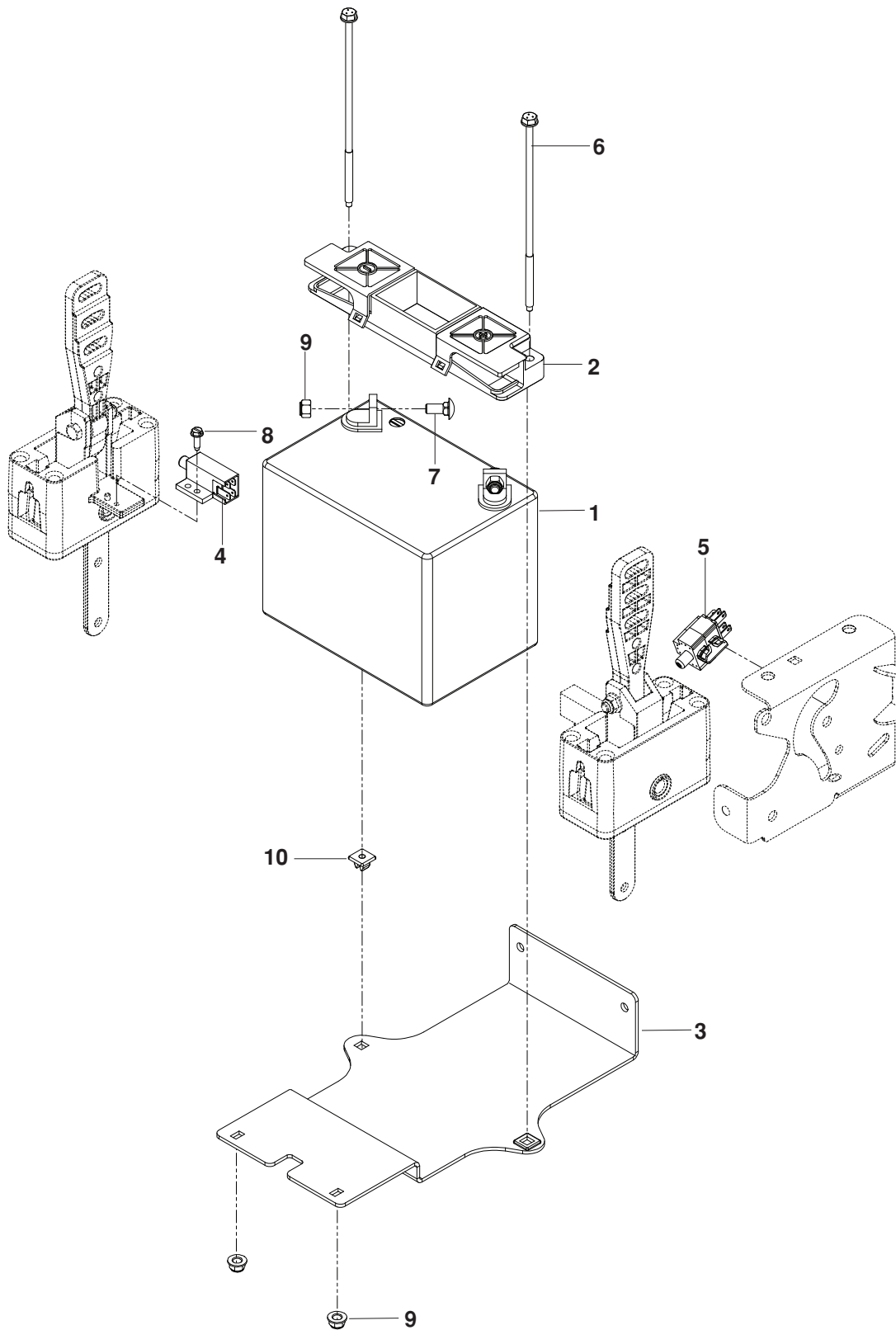
# IGNITION SYSTEM

---

ITEM	PART NO.	QTY.	DESCRIPTION	ITEM	PART NO.	QTY.	DESCRIPTION
1..	576 370102....	1	TANK, LT ASSEMBLY	19..	575 321001....	1	PLUG, TIMER
2..	576 370101....	1	TANK, LT FUEL	20..	539 102502....	6	STUD <sup>5</sup> / <sub>16</sub> -18
3..	574 455501....	1	KEY, IGNITION	21..	575 533602....	2	MOUNT, TANK, BLK
4..	539 112438....	1	CABLE, THROTTLE	22..	539 131671....	2	SUPPORT, TANK, BLK
5..	576 179401....	1	HOUR METER	23..	576 618201....	1	GROMMET, CHECK VALVE
6..	574 841202....	1	PLATE, CONSOLE, BLK	24..	539 131780....	4	HHFS <sup>5</sup> / <sub>16</sub> -18 x 3 <sup>3</sup> / <sub>4</sub>
7..	539 916325....	1	VALVE, FUEL	25..	539 976934....	2	HCS <sup>5</sup> / <sub>16</sub> -18 x <sup>3</sup> / <sub>4</sub>
8..	576 618101....	1	VALVE, FUEL CHECK	26..	539 990411....	6	SCREW #10-24 x <sup>1</sup> / <sub>2</sub> SLT
9..	574 455401....	1	SWITCH, IGNITION	27..	539 113226....	3	BOLT <sup>5</sup> / <sub>16</sub> -18 x 1 THD FRM
10..	539 131627....	1	SWITCH, PTO 10	28..	539 976977....	2	NUT #10-24 NYLOC
11..	539 103178....	1	CAP, IGNITION SWITCH NUT	29..	539 112899..	11	NUT <sup>5</sup> / <sub>16</sub> -18 HEX FLG NYLOC
12..	539 107593....	1	CONSOLE, RT	30..	539 105408....	4	WASHER #10
13..	575 436501....	2	CLAMP, HOSE	31..	539 990187....	2	WASHER <sup>5</sup> / <sub>16</sub> SLW
14..	539 912222....	4	CLAMP, HOSE	32..	539 990188....	8	WASHER <sup>5</sup> / <sub>16</sub> SAE
15..	539 107765....	1	HOSE, FUEL	33..	576 660602....	1	HOSE <sup>3</sup> / <sub>16</sub> VAPOR 48"
16..	575 018101....	1	FUEL CAP w/ TETHER	NOT SHOWN			
17..	539 932956....	1	FUEL LINE, 10"		539 976856	5	WIRE TIE
18..	539 102845....	6	SPRING, TANK MOUNT				



# ELECTRICAL



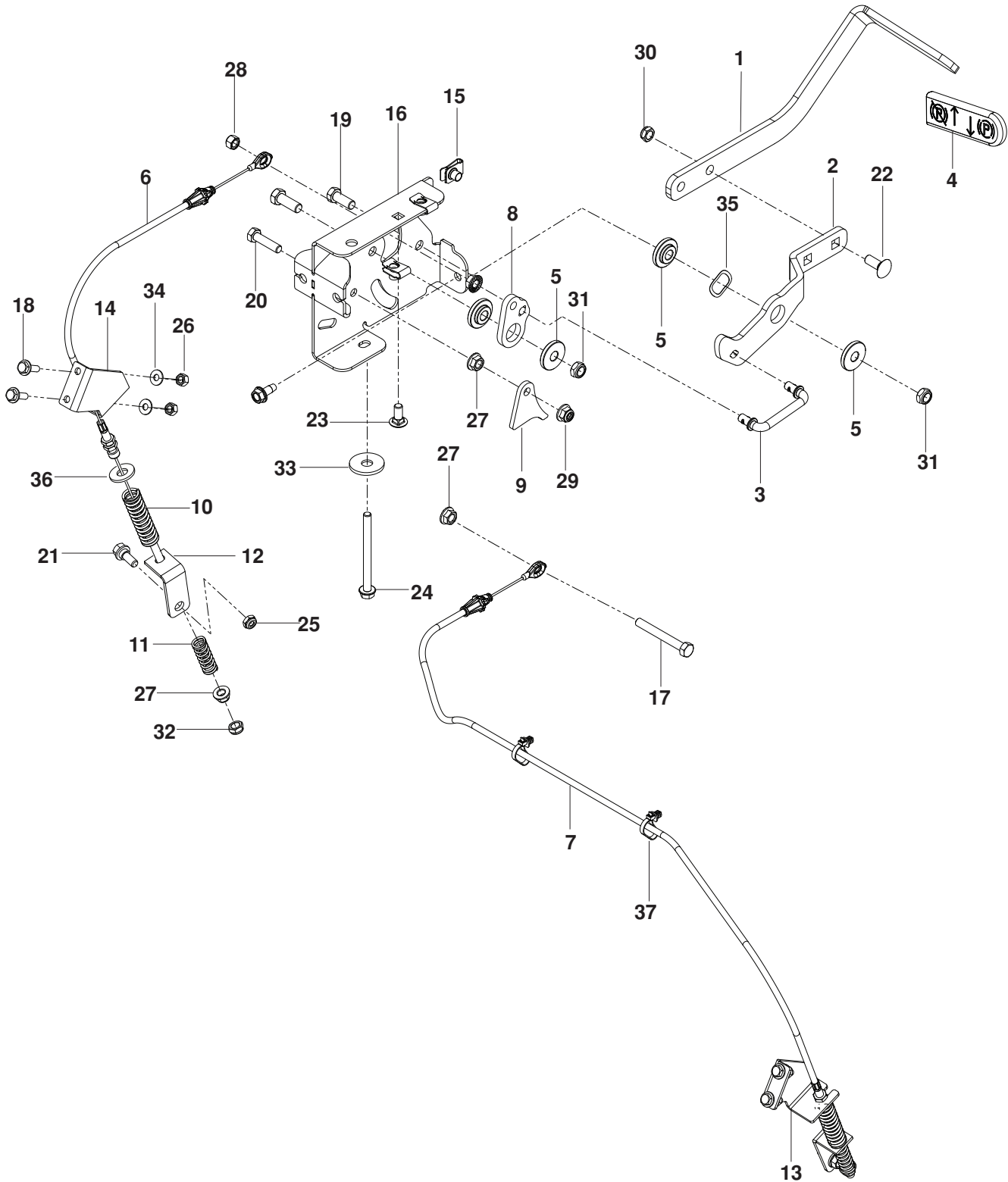
# ELECTRICAL

---

ITEM	PART NO.	QTY.	DESCRIPTION
1..	539 102436....	1 ....	BATTERY
2..	539 107628....	1 ....	BATTERY HOLD DOWN
3..	575 017202....	1 ....	PLATE, BATTERY
4..	539 101080....	2 ....	SWITCH, INTERLOCK
5..	539 113792....	1 ....	SWITCH, BRAKE
6..	539 107632....	2 ....	BOLT $\frac{1}{4}$ x $7\frac{1}{2}$
7..	539 990316....	2 ....	RHSNB $\frac{5}{16}$ -18 x $\frac{3}{4}$

ITEM	PART NO.	QTY.	DESCRIPTION
8..	539 991034....	2 ....	SCREW #10-24 x $\frac{5}{8}$ WSH HD
9..	539 112899....	4 ....	NUT $\frac{5}{16}$ -18 FLANGE NYLOC
10..	539 107629....	2 ....	NUT $\frac{1}{4}$ PUSH NYLON
			NOT SHOWN
	539 104974 ...	1 ....	POSITIVE CABLE
	539 107645 ...	1 ....	NEGATIVE CABLE
	575 320901 ...	1 ....	MAIN HARNESS

# PARKING BRAKE

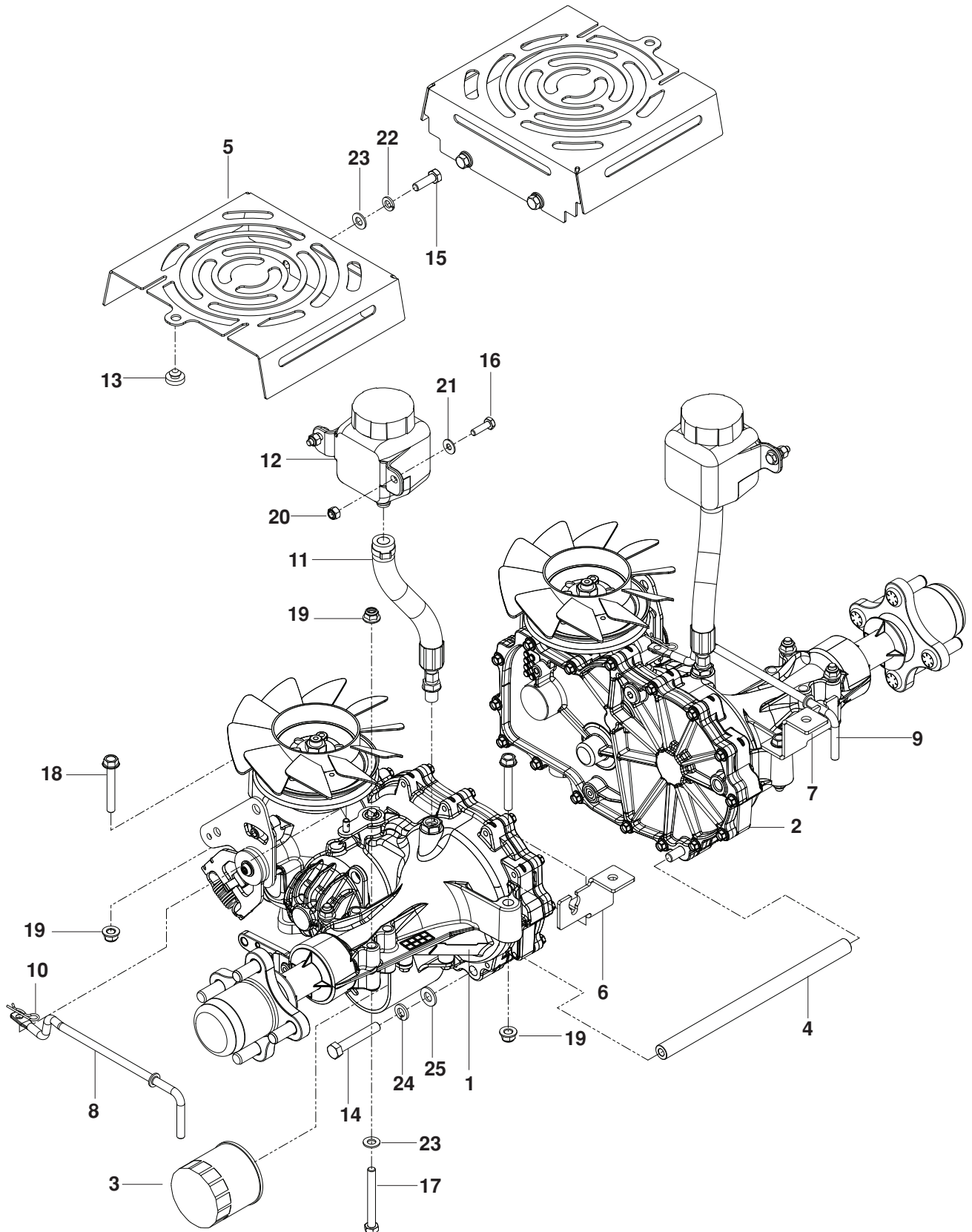


# PARKING BRAKE

---

ITEM	PART NO.	QTY.	DESCRIPTION	ITEM	PART NO.	QTY.	DESCRIPTION
1..	539 132151....	1	.... ARM, BRAKE	20..	539 990209....	1	.... HCS $\frac{5}{16}$ -18 x 1
2..	539 132423....	1	.... LEVER, BRAKE	21..	539 110303....	2	.... BOLT $\frac{5}{16}$ SHOULDER
3..	539 132424....	1	.... LINKAGE, BRAKE	22..	539 990645....	2	.... RHSNB $\frac{3}{8}$ -16 x 1
4..	539 105036....	1	.... GRIP, BRAKE HANDLE	23..	539 990316....	1	.... RHSNB $\frac{5}{16}$ -18 x $\frac{3}{4}$
5..	539 132161....	4	.... BUSHING, BRAKE	24..	539 131780....	1	.... HHFS $\frac{5}{16}$ -18 x $3\frac{3}{4}$
6..	539 132173....	1	.... CABLE, BRAKE, SHORT	25..	539 115617....	2	.... NUT $\frac{5}{16}$ HEX NYLOC
7..	539 132174....	2	.... CABLE, BRAKE, LONG	26..	539 976978....	4	.... NUT $\frac{1}{4}$ -20 HEX NYLOC
8..	539 132153....	1	.... BELLCRANK, BRAKE	27..	539 990585....	5	.... NUT $\frac{5}{16}$ -18 HEX WHIZLK
9..	539 132154....	1	.... ACTUATOR, SWITCH	28..	539 990717....	1	.... NUT $\frac{5}{16}$ -18 HEX NYLOC
10..	575 230201....	2	.... SPRING, RETURN	29..	539 112899....	2	.... NUT $\frac{5}{16}$ -18 FLANGE NYLOC
11..	575 230301....	2	.... SPRING, ENGAGEMENT	30..	521 996501....	2	.... NUT $\frac{3}{8}$ -16 HEX FLG NYLOC
12..	575 229802....	2	.... BRACKET, BRAKE	31..	539 200282....	2	.... NUT $\frac{3}{8}$ -16 HEX JAM NYLOC
13..	575 229602....	1	.... BRACKET, RT	32..	539 107897....	2	.... NUT $\frac{5}{16}$ -18 JAM
14..	575 229702....	1	.... BRACKET, LT	33..	539 109554....	1	.... WASHER $\frac{1}{2}$ FLAT
15..	539 104763....	3	.... RETAINER $\frac{5}{16}$ -18 U TYPE	34..	539 990055....	4	.... WASHER $\frac{1}{4}$ FLAT SAE
16..	539 132158....	1	.... MOUNT, BRAKE	35..	539 133007....	2	.... WASHER .825 WAVE
17..	539 108396....	1	.... HCS $\frac{5}{16}$ -18 x $2\frac{1}{2}$ TPBLT	36..	5398 990122..	1	.... WASHER $\frac{3}{8}$ SAE FLT
18..	539 990643....	4	.... HCS $\frac{1}{4}$ -20 x $\frac{7}{8}$	37..	505 280001....	2	.... TIE, w/ CLIP
19..	539 990563....	2	.... HCS $\frac{3}{8}$ -16 x 1				

# HYDRAULIC PUMP-MOTOR

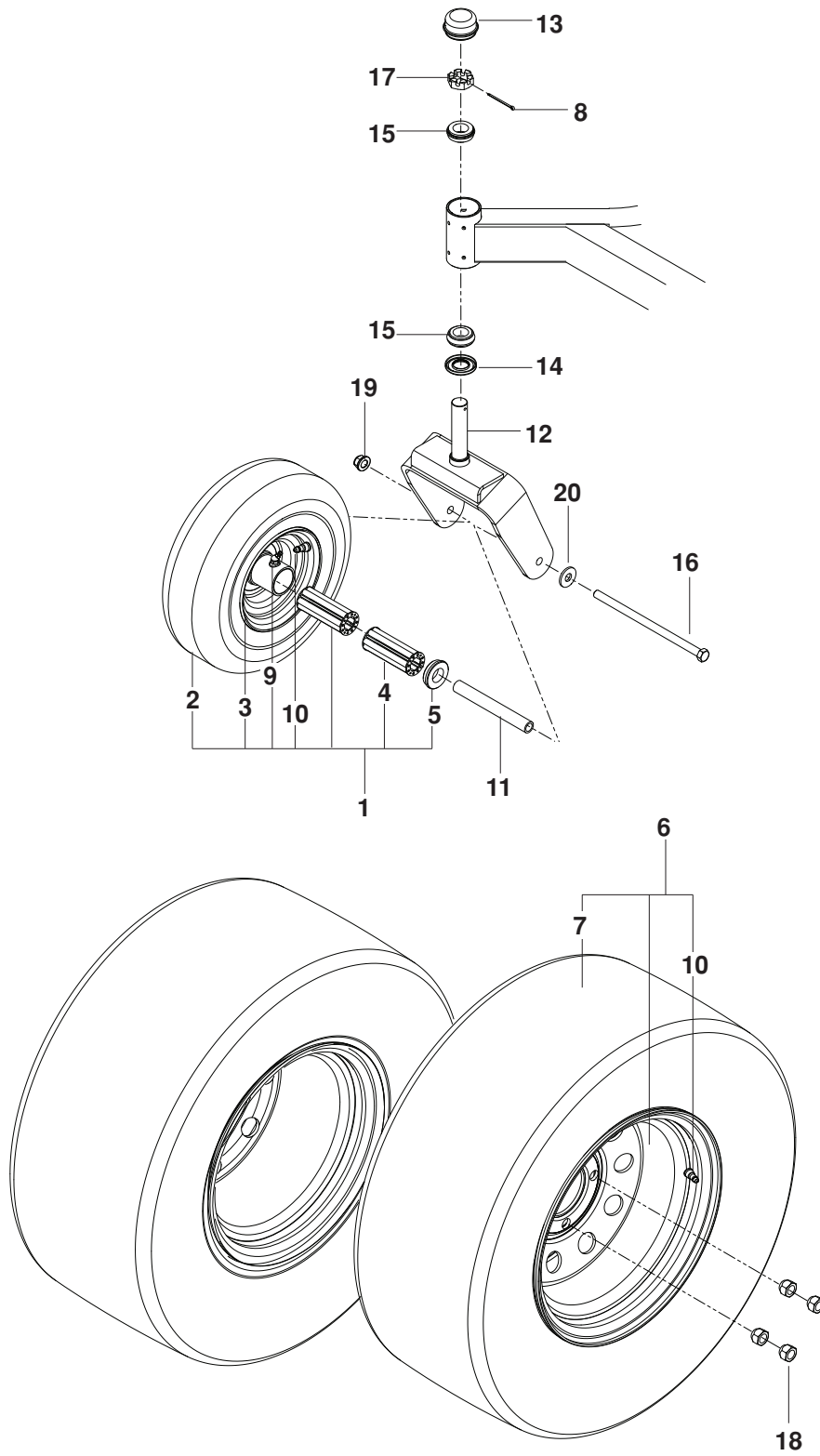


# HYDRAULIC PUMP-MOTOR

---

ITEM	PART NO.	QTY.	DESCRIPTION	ITEM	PART NO.	QTY.	DESCRIPTION
1..	574 569101....	1	.... TRANS, ZT-3400, LT	14..	539 108551....	2	.... HCS $\frac{3}{8}$ -16 x 2 $\frac{1}{2}$ GR8
2..	574 569102....	1	.... TRANS, ZT-3400, RT	15..	539 990209....	4	.... HCS $\frac{5}{16}$ -18 x 1
3..	539 113466....	2	.... FILTER, HYDRO	16..	539 990643....	4	.... HCS $\frac{1}{4}$ -20 x $\frac{7}{8}$
4..	574 868501....	1	.... TUBE, SPACER, 3400	17..	539 101721....	4	.... HCS $\frac{5}{16}$ -18 x 2 $\frac{3}{4}$
5..	575 778202....	2	.... COVER, FAN	18..	574 233801....	4	.... HHFS $\frac{5}{16}$ -18 x 2 $\frac{1}{4}$
6..	575 017102....	1	.... BRACKET, TRANS, LT	19..	539 112899....	8	.... NUT $\frac{5}{16}$ -18 HEX FLG NYLOC
7..	575 017002....	1	.... BRACKET, TRANS, RT	20..	539 976978....	4	.... NUT $\frac{1}{4}$ -20 HEX NYLOC
8..	539 131616....	1	.... LINKAGE, LEFT BYPASS	21..	539 990055....	4	.... WASHER $\frac{1}{4}$ FLAT SAE
9..	539 131618....	1	.... LINKAGE, RIGHT BYPASS	22..	539 990187....	4	.... WASHER $\frac{5}{16}$ SLW
10..	539 976988....	2	.... HAIRPIN COTTER	23..	539 990188....	8	.... WASHER $\frac{5}{16}$ SAE FLAT
11..	574 892101....	2	.... HOSE, EXPANSION	24..	539 990118....	2	.... WASHER $\frac{3}{8}$ SPLT LK
12..	574 811301....	2	.... TANK, EXPANSION	25..	539 990122....	2	.... WASHER $\frac{3}{8}$ SAE FLT
13..	539 102587....	2	.... BUMPER				

# WHEELS / TIRES



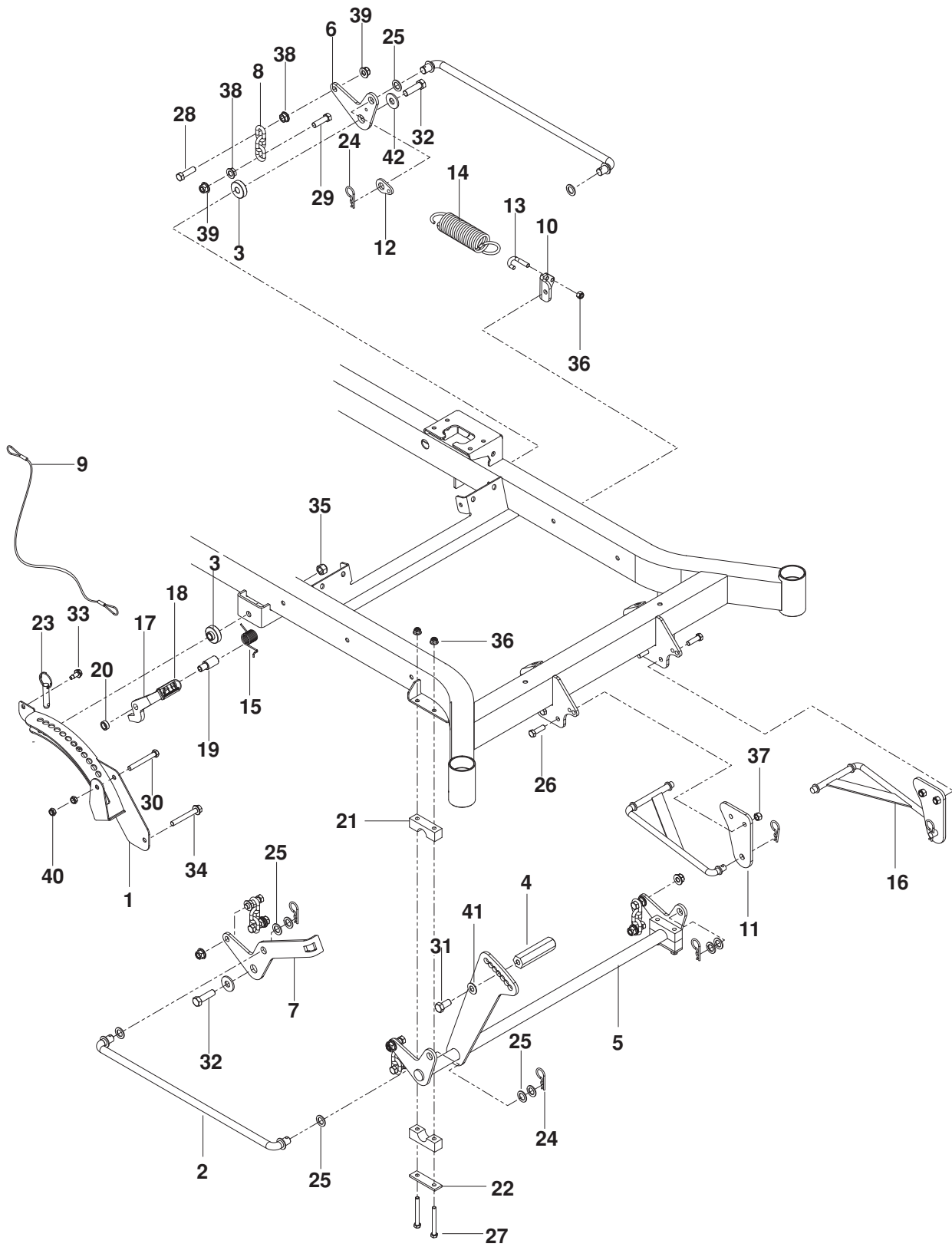
## WHEELS / TIRES

---

ITEM	PART NO.	QTY.	DESCRIPTION	ITEM	PART NO.	QTY.	DESCRIPTION
1..	575 348701....2	....	CASTER TIRE ASSY	11..	575 334901....2	....	SPACER, PIVOT
2..	575 622201....2	....	TIRE, CASTER	12..	575 329202....2	....	YOKE, CASTER ORG
3..	575 622101....2	....	RIM, CASTER TIRE	13..	539 102535....2	....	GREASE CAP
4..	539 105307....4	....	BEARING 3¼ CAGE	14..	539 102851....2	....	SEAL
5..	539 102484....4	....	BEARING, FLANGE	15..	539 102543....4	....	BEARING
6..	539 108881....2	....	WHEEL ASSY, REAR	16..	539 105517....2	....	HCS ½-13 x 9½
7..	539 107431....2	....	TIRE	17..	539 102852....2	....	NUT 1"-14 SLOTTED JAM
8..	539 102889....2	....	COTTER PIN 1/8 x 2	18..	539 101173....8	....	NUT, LUG
9..	539 103300....2	....	ZERK	19..	521 991101 ...2	....	NUT ½-13 HEX FLG NYLOC
10..	539 912234....4	....	VALVE	20..	539 109554....2	....	WASHER ½ FLAT ZD



# MOWER LIFT / DECK LIFT

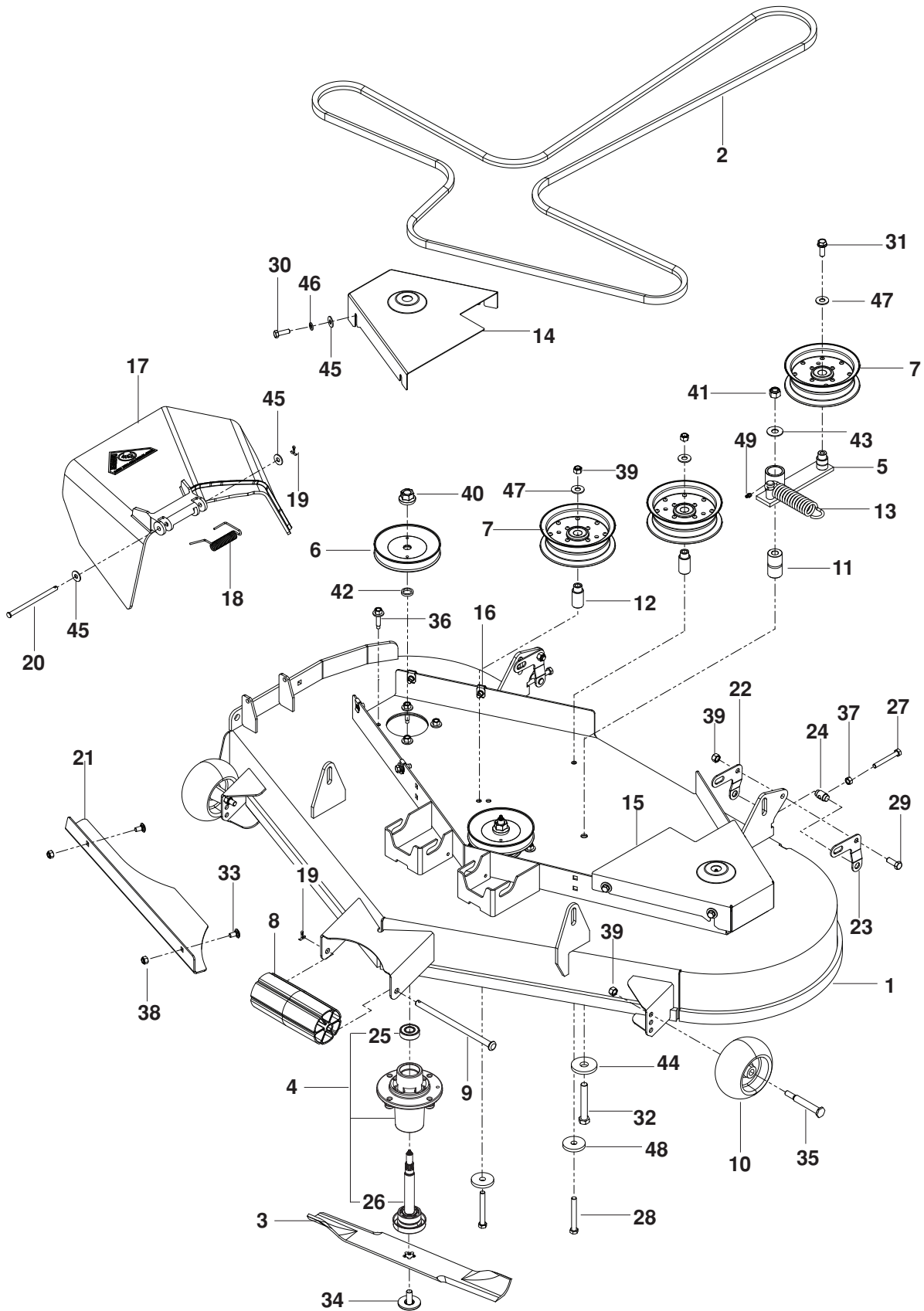


# MOWER LIFT / DECK LIFT

---

ITEM	PART NO.	QTY.	DESCRIPTION	ITEM	PART NO.	QTY.	DESCRIPTION
1..	539 131850....1	....	HEIGHT ADJUST, DECK	22..	539 104807....2	....	BAR, REINFORCEMENT
2..	539 110808....2	....	LINK, DECK LIFT	23..	539 132182....1	....	PIN 1/2 x 1 1/2 DETENT RING
3..	539 118937....2	....	SPACER, IDLER	24..	539 115501....6	....	PIN 1 3/4 COTTER
4..	539 131556....1	....	PEDAL, FOOT, HEX	25..	539 991043..10	....	BUSHING .625
5..	539 131509....1	....	SHAFT, FRONT-LIFT	26..	539 976941....4	....	HCS 5/16-18 x 1 THD FM
6..	539 131897....1	....	BELLCRANK, REAR	27..	539 101721....4	....	HCS 5/16-18 x 2 3/4
7..	539 131853....1	....	BELLCRANK, RR RT	28..	539 101175....4	....	HCS 7/16-14 x 1 1/2
8..	539 109693....4	....	LIFT CHAIN, 3 LINK	29..	539 108073....4	....	HCS 7/16-14 x 1 3/4
9..	539 105059....1	....	LANYARD	30..	539 101341....1	....	HCS 3/8-16 x 3
10..	539 131791....1	....	MOUNT, SPRING	31..	539 990646....1	....	HCS 1/2-13 x 1 3/4
11..	539 132017....2	....	MOUNT, STRUT	32..	539 108181....2	....	HCS 1/2-13 x 1 3/4 GR 8
12..	539 131792....1	....	TAB, SPRING	33..	539 107475....1	....	BOLT 5/16-18 x 3/4 THD FRM
13..	539 112896....1	....	J-BOLT	34..	539 131781....1	....	HHFS 3/8-16 x 2 3/4
14..	539 102642....1	....	SPRING	35..	539 101331....2	....	NUT 1/2 HEX NYLOC
15..	539 132734....1	....	SPRING, TORSION	36..	539 112899....5	....	NUT 5/16-18 FLANGE NYLOC
16..	539 112223....2	....	LINKAGE, STRUT	37..	539 976979....4	....	NUT 3/8-16 HEX NYLOC
17..	539 131566....1	....	LATCH, TRANSPORT	38..	539 102582....8	....	NUT 7/16-14 HEX WHIZ LK
18..	539 132851....1	....	GRIP	39..	539 132019....8	....	NUT 7/16-14 HEX WHIZ LK
19..	539 131860....1	....	PIVOT, LATCH TRANSPORT	40..	539 200282....2	....	NUT 3/8-16 HEX JAM NYLOC
20..	539 131861....1	....	SPACER	41..	539 102843....1	....	WASHER 7/16 SPRING
21..	539 104808....4	....	PILLOW BLOCK	42..	539 109554....2	....	WASHER 1/2 FLAT

# 52 INCH DECK

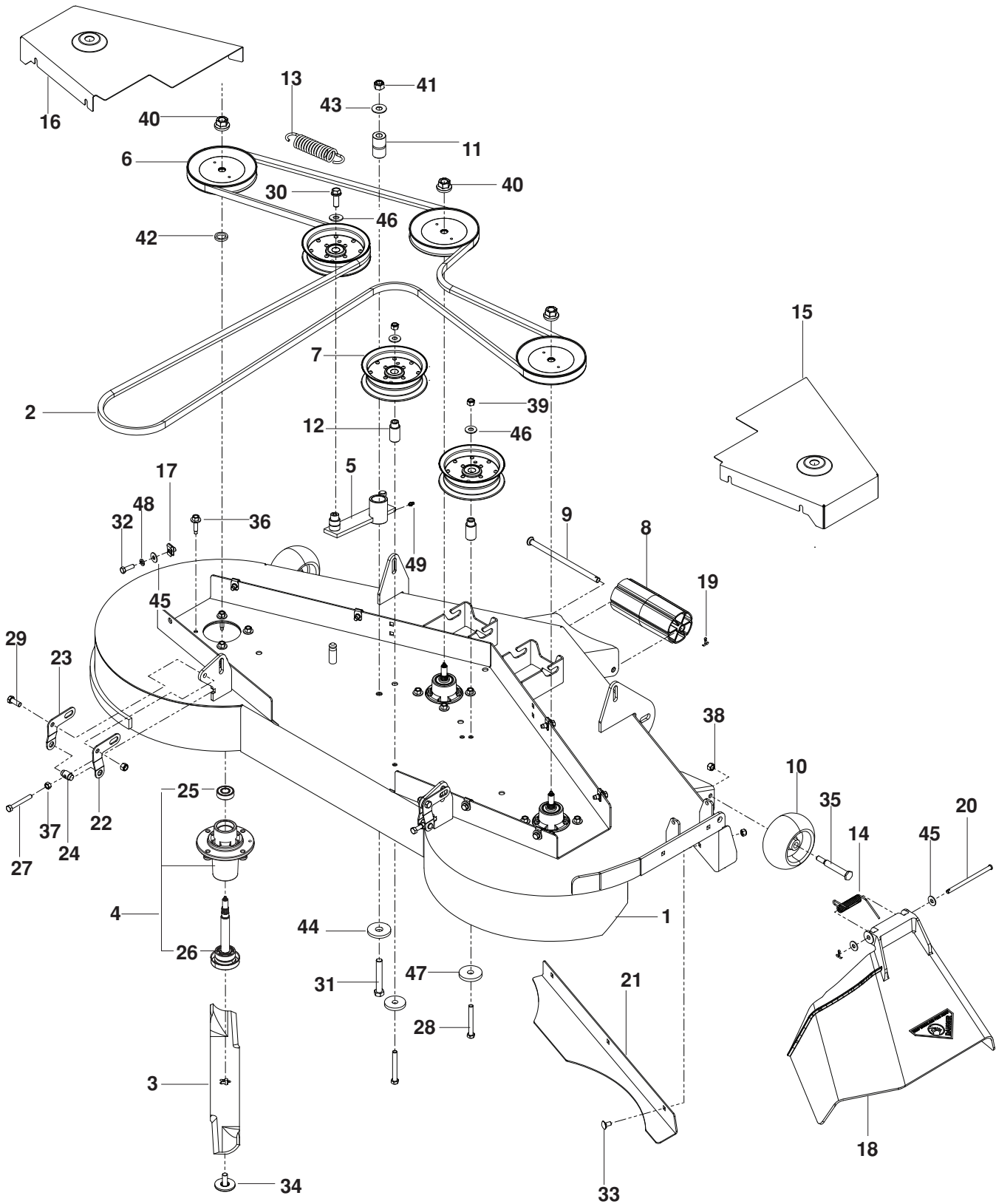


# 52 INCH DECK

---

ITEM	PART NO.	QTY.	DESCRIPTION	ITEM	PART NO.	QTY.	DESCRIPTION
1..	539 132746....	1	.... DECK W/DECALS	26..	539 112056....	3	.... SHAFT, MANDREL
2..	522 811301....	1	.... BELT	27..	539 108396....	2	.... HCS $\frac{5}{16}$ -18 x 2 $\frac{1}{2}$ TPBLT
3..	539 112079....	3	.... BLADE, 18" EZ	28..	539 101341....	2	.... HCS $\frac{3}{8}$ -16 x 3
4..	539 112170....	3	.... HOUSING ASSY	29..	539 990563....	2	.... HCS $\frac{3}{8}$ -16 x 1
5..	539 112198....	1	.... ARM, IDLER	30..	539 990209....	8	.... HCS $\frac{5}{16}$ -18 x 1
6..	539 112171....	3	.... PULLEY	31..	539 990582....	1	.... HCS $\frac{3}{8}$ -16 x 1 WHIZLK
7..	539 132728....	3	.... PULLEY, IDLER	32..	539 103433....	1	.... HCS $\frac{1}{2}$ -13 x 3 $\frac{1}{4}$
8..	532 176066....	1	.... ROLLER, NOSE, 48"	33..	539 990799....	2	.... RHSNB $\frac{5}{16}$ -18 x $\frac{5}{8}$
9..	532 179127....	1	.... ROD, ROLLER	34..	532 193003....	3	.... BOLT $\frac{7}{16}$ ASSY BLADE
10..	539 107610....	2	.... WHEEL, GAUGE	35..	539 107608....	2	.... BOLT $\frac{3}{8}$ -16 SHOULDER
11..	539 103427....	1	.... BUSHING, PIVOT	36..	539 107630....	12	.... SCREW $\frac{5}{16}$ x 18 WSHR HD
12..	539 112169....	2	.... BUSHING, IDLER	37..	539 990196....	2	.... NUT $\frac{5}{16}$ -18
13..	539 103256....	1	.... SPRING	38..	539 990717....	2	.... NUT $\frac{5}{16}$ -18 NYLOC
14..	539 112242....	1	.... BELT SHIELD RT	39..	539 976979....	6	.... NUT $\frac{3}{8}$ -16 NYLOC
15..	539 112244....	1	.... BELT SHIELD LT	40..	539 107590....	3	.... NUT $\frac{9}{16}$ TOP CENTER LOCK
16..	539 104763....	8	.... RETAINER $\frac{5}{16}$ -18 U TYPE	41..	539 101331....	1	.... NUT $\frac{1}{2}$ NYLOC
17..	539 110733....	1	.... DISCHARGE CHUTE	42..	539 107520....	3	.... WASHER-SPACER
18..	539 110735....	1	.... SPRING, TORSION	43..	539 990550....	1	.... WASHER $\frac{1}{2}$
19..	539 990365....	2	.... PIN $\frac{1}{8}$ x $\frac{3}{4}$ COTTER	44..	539 102243....	1	.... WASHER, SUPPORT
20..	539 110736....	1	.... PIN $\frac{5}{16}$ x 5 CLEVIS	45..	539 990692..	10	.... WASHER $\frac{5}{16}$ FLAT
21..	539 112417....	1	.... CONFINEMENT PLATE	46..	539 990187....	8	.... WASHER $\frac{5}{16}$ SLW
22..	539 131857....	2	.... PITCH ADJUST, RT	47..	539 990517....	3	.... WASHER $\frac{3}{8}$ FLAT
23..	539 131858....	2	.... PITCH ADJUST, LT	48..	539 106504....	2	.... WASHER, HEAVY
24..	539 131859....	2	.... TRUNNION, PITCH	49..	539 976998....	1	.... ZERK
25..	539 112050....	3	.... BEARING, BALL				

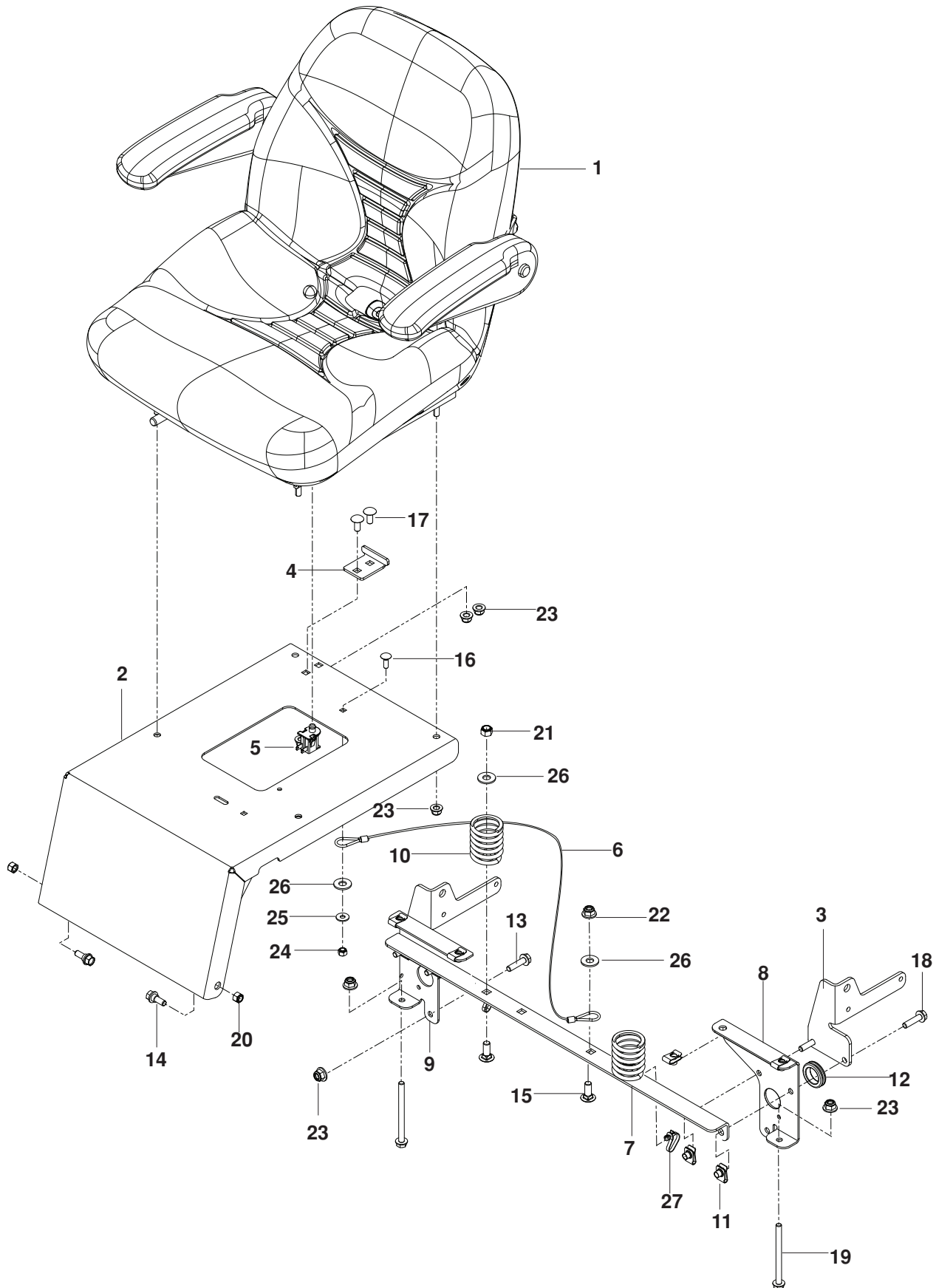
# 61 INCH DECK



# 61 INCH DECK

ITEM	PART NO.	QTY.	DESCRIPTION	ITEM	PART NO.	QTY.	DESCRIPTION
1..	539 132747....	1	DECK w/ SAFETY DECALS	26..	539 112056....	3	SHAFT, MANDREL
2..	539 104335....	1	BELT, DECK	27..	539 108396....	2	HCS $\frac{5}{16}$ -18 x 2 $\frac{1}{2}$ TPBLT
3..	539 113312....	3	BLADE 21"	28..	539 101341....	2	HCS $\frac{3}{8}$ -16 x 3
4..	539 112170....	3	HOUSING ASSY	29..	539 990563....	2	HCS $\frac{3}{8}$ -16 x 1
5..	539 112198....	1	ARM, IDLER	30..	539 990582....	1	HCS $\frac{3}{8}$ -16 x 1 WHIZLK
6..	539 113300....	3	PULLEY	31..	539 103433....	1	HCS $\frac{1}{2}$ -13 x 3 $\frac{1}{4}$
7..	539 132728....	3	PULLEY, IDLER	32..	539 976934....	8	HCS $\frac{5}{16}$ -18 x $\frac{3}{4}$
8..	532 176066....	1	ROLLER, NOSE	33..	539 990799....	3	RHSNB $\frac{5}{16}$ -18 x $\frac{5}{8}$
9..	532 179127....	1	ROD, ROLLER	34..	532 193003....	3	BOLT $\frac{7}{16}$ ASSY BLADE
10..	539 107610....	2	WHEEL, GAUGE	35..	539 107608....	2	BOLT $\frac{3}{8}$ -16 SHOULDER
11..	539 103427....	1	BUSHING, PIVOT	36..	539 107630....	12	SCREW $\frac{5}{16}$ x 18 WSHR HD
12..	539 112169....	2	BUSHING, IDLER	37..	539 990196....	2	NUT $\frac{5}{16}$ -18 HEX
13..	539 103256....	1	SPRING	38..	539 990717....	3	NUT $\frac{5}{16}$ -18 HEX NYLOC
14..	539 110735....	1	SPRING, TORSION	39..	539 976979....	6	NUT $\frac{3}{8}$ -16 HEX NYLOC
15..	539 113319....	1	BELT SHIELD, RH	40..	539 107590....	3	NUT $\frac{9}{16}$ TOP CENTER LOCK
16..	539 113322....	1	BELT SHIELD, LH	41..	539 101331....	1	NUT $\frac{1}{2}$ HEX NYLOC
17..	539 104763....	8	RETAINER $\frac{5}{16}$ -18 U TYPE	42..	539 107520....	3	WASHER, SPACER
18..	539 110734....	1	DISCHARGE CHUTE	43..	539 990550....	1	WASHER $\frac{1}{2}$ STD FLT
19..	539 990365....	2	PIN $\frac{1}{8}$ x $\frac{3}{4}$ COTTER	44..	539 102243....	1	WASHER, SUPPORT
20..	539 110736....	1	PIN $\frac{5}{16}$ x 5 CLEVIS	45..	539 990692..	10	WASHER $\frac{5}{16}$ STD FLT
21..	539 113317....	1	CONFINEMENT PLATE	46..	539 990517....	2	WASHER $\frac{3}{8}$ FLAT STD
22..	539 131857....	2	PITCH, ADJUST, RT	47..	539 106504....	1	WASHER, HEAVY
23..	539 131858....	2	PITCH, ADJUST, LT	48..	539 109600....	8	WASHER $\frac{5}{16}$ SPRING
24..	539 131859....	2	TRUNNION, PITCH	49..	539 976998....	1	ZERK
25..	539 112050....	3	BEARING, BALL				

# SEAT



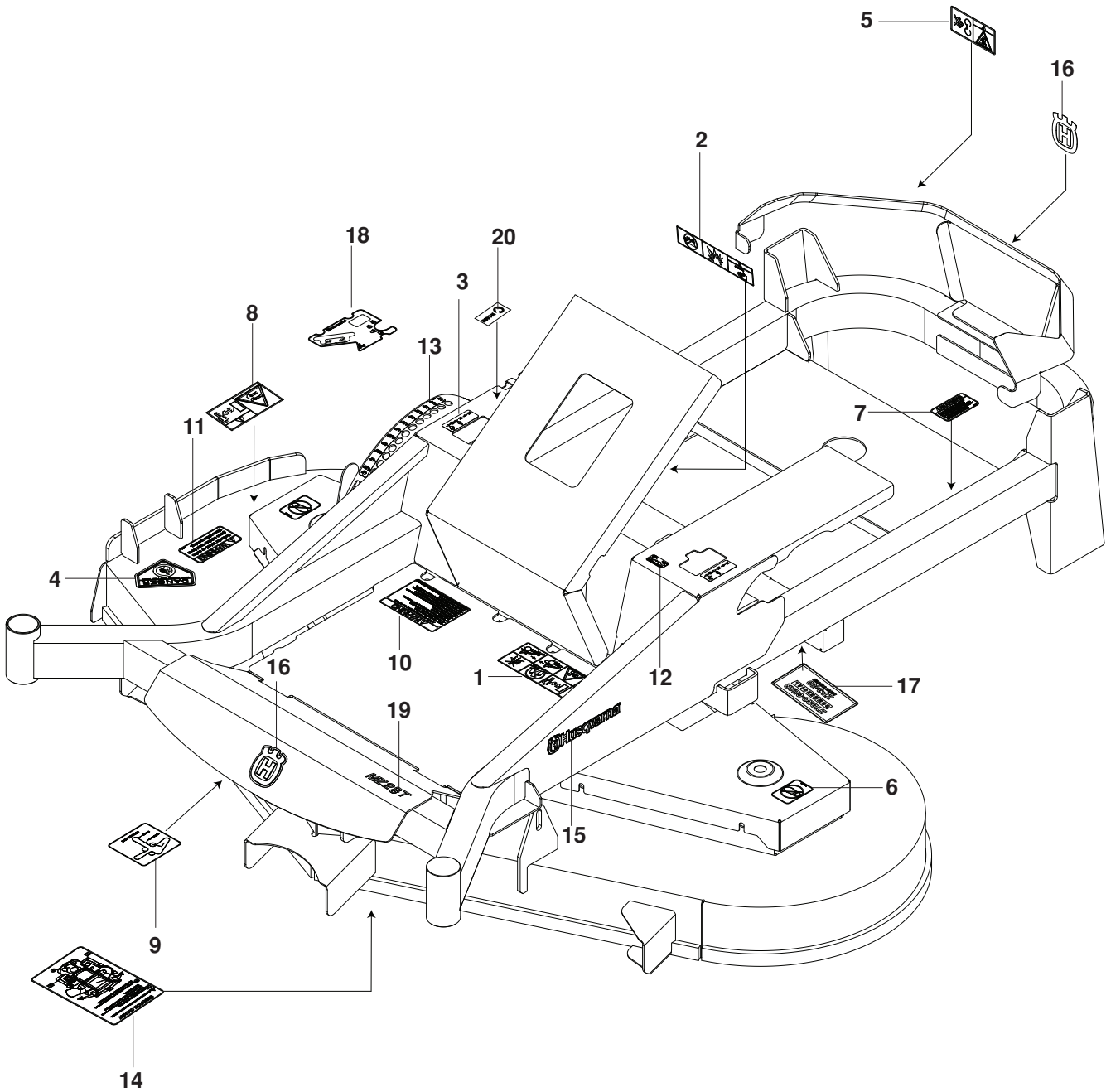
# SEAT

---

ITEM	PART NO.	QTY.	DESCRIPTION	ITEM	PART NO.	QTY.	DESCRIPTION
1..	539 130873....	1	SEAT	15..	539 990645....	3	RHSNB $\frac{3}{8}$ -16 x 1
2..	575 608601....	1	MOUNT, SEAT w/ DECAL	16..	539 990074....	1	RHSNB $\frac{1}{4}$ -40 x $\frac{3}{4}$
3..	575 017402....	2	MOUNT, SEAT BELT	17..	539 109100....	2	RHSNB $\frac{5}{16}$ -18 x $\frac{3}{4}$
4..	539 130793....	1	DECK STOP	18..	525 544001....	4	HHFS $\frac{5}{16}$ -18 x $1\frac{1}{4}$ TPBLT
5..	539 119741....	1	SWITCH, SEAT	19..	539 131780....	2	HHFS $\frac{5}{16}$ -18 x $3\frac{3}{4}$
6..	539 103247....	1	LANYARD, SEAT	20..	539 990717....	2	NUT $\frac{5}{16}$ -18 HEX NYLOC
7..	539 131656....	1	SUPPORT, SEAT	21..	539 976979....	2	NUT $\frac{3}{8}$ -16 HEX NYLOC
8..	575 224102....	1	SUPPORT, LT	22..	521 996501....	1	NUT $\frac{3}{8}$ -16 FLG HEX NYLOC
9..	575 224002....	1	SUPPORT, RT	23..	539 112899..	10	NUT $\frac{5}{16}$ -18 FLANGE NYLOC
10..	539 110300....	2	SPRING, SEAT	24..	539 976978....	1	NUT $\frac{1}{4}$ -20 HEX NYLOC
11..	539 104763....	8	RETAINER $\frac{5}{16}$ -18 U TYPE	25..	539 990598....	1	WASHER $\frac{1}{4}$ FLAT
12..	539 105974....	1	GROMMET RUBBER	26..	539 990517....	4	WASHER $\frac{3}{8}$ FLAT STD
13..	539 113226....	2	HCS $\frac{5}{16}$ -18 x 1 THD FRM	27..	505 280001....	2	TIE WRAP w/ CLIP
14..	539 130896....	2	BOLT $\frac{5}{16}$ -18 HEX HD				



# DECALS



# DECALS

---

ITEM	PART NO.	QTY.	DESCRIPTION	ITEM	PART NO.	QTY.	DESCRIPTION
1..	539 107959	...1	...DECAL, WARNINGS	11..	539 113224	...1	...DECAL, DEFLECTOR
2..	539 105745	...1	...DECAL, BATTERY WARNING	12..	539 110974	...2	...DECAL, TRACKING
3..	539 103333	...2	...DECAL, MOTION CONTROL	13..	539 132039	...1	...DECAL, HEIGHT ADJUST
4..	539 913010	...1	...DECAL, BLADE WARNING	14..	539 132187	...1	...DECAL, SERVICE
5..	539 105744	...1	...DECAL, DANGER BLT DRIVE	15..	532 429196	....2	...DECAL, HUSQVARNA
6..	539 105743	...2	...DECAL, NO STEP	16..	532 428676	....1	....DECAL, CROWN H
7..	539 101881	...1	...DECAL, EXHAUST	17..	574 815501	....1	....DECAL, HYDROGEAR
8..	539 105746	...1	...DECAL, SEVERING	18..	574 841101	....1	....DECAL, CONSOLE
9..	539 112620	...1	...DECAL, BELT ROUTING	19..	521 988003	....1	....DECAL, MZ28T
10..	539 113213	...1	...DECAL, WARNING	20..	539 110279	....1	....DECAL, ECM