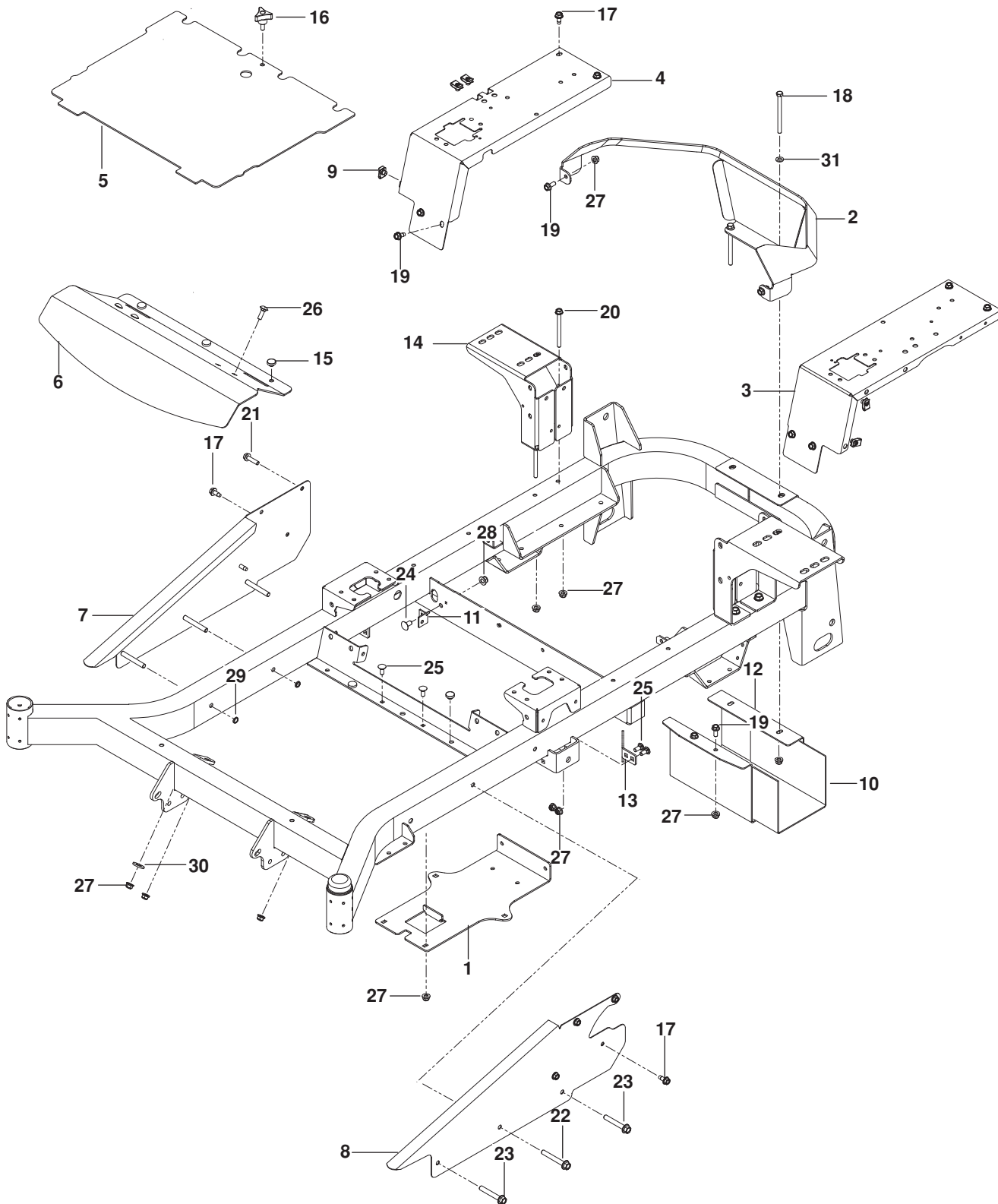


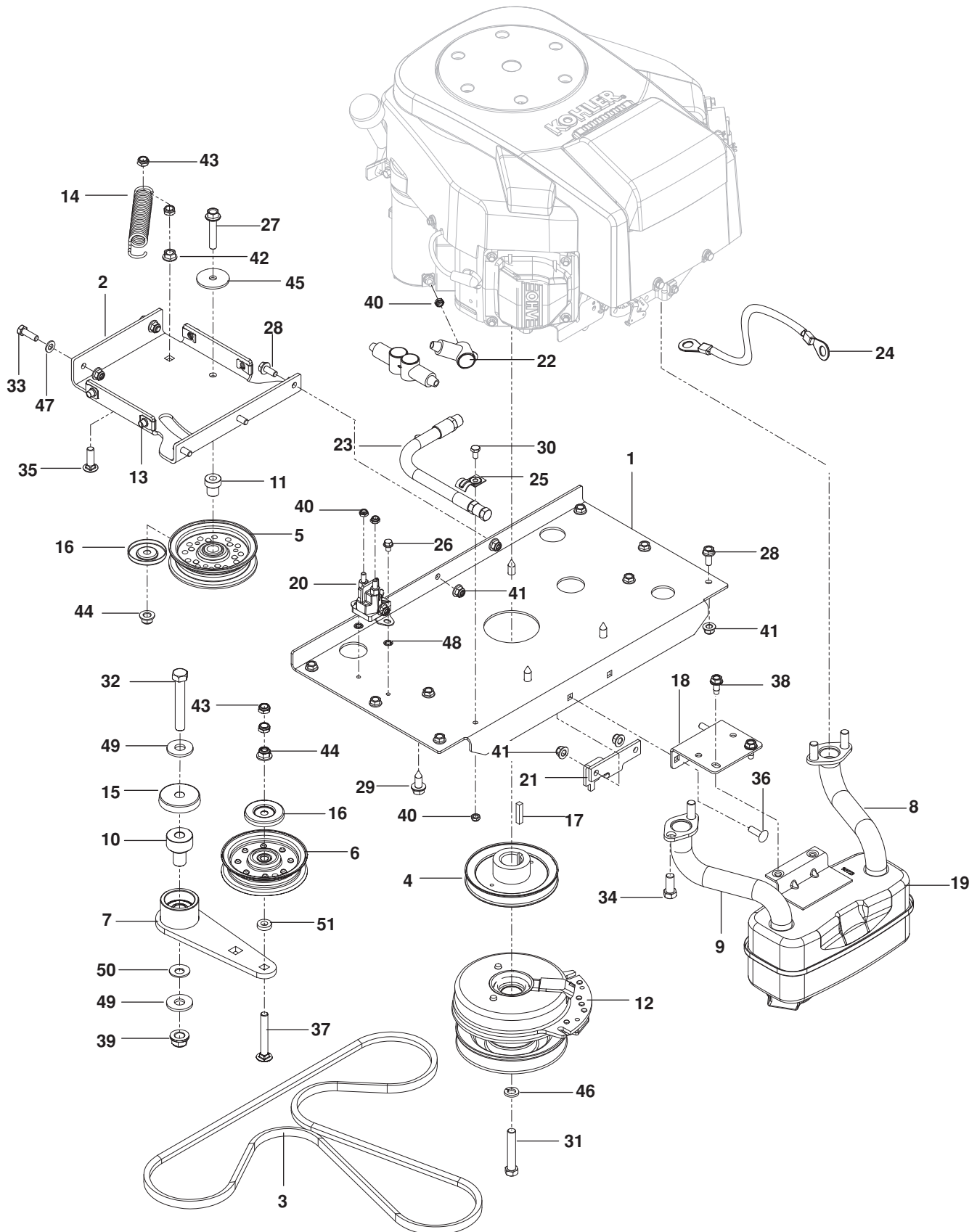
FRAME



FRAME

ITEM	PART NO.	QTY.	DESCRIPTION	ITEM	PART NO.	QTY.	DESCRIPTION
1..	575 017202....1	PLATE, BATTERY, BLK	17..	539 107475..12	BOLT $5/16$ -18 x $3/4$ THD FRM
2..	575 348402....1	GUARD, REAR GRY	18..	539 102335....2	HCS $5/16$ -18 x 4
3..	577 256802....1	PANEL, LT ORG	19..	525 464701....5	HHFS $5/16$ -18 x $3/4$
4..	577 256902....1	PANEL, RT ORG	20..	539 131780....4	HHFS $5/16$ -18 x $3\ 3/4$
5..	539 132744....1	PLATE w/ SAFTY DECAL	21..	525 544001....1	HHFS $5/16$ -18 x $1\ 1/4$ TPBLT
6..	539 132380....1	PLATE, FOOTREST ORG	22..	539 131781....2	HHFS $3/8$ -16 x $2\ 3/4$
7..	539 131579....1	SIDE, RT ORG	23..	539 133006....4	HHFS $3/8$ -16 x $2\ 1/2$
8..	539 131577....1	SIDE, LT ORG	24..	539 109117....2	RHSNB $3/8$ -16 x $3/4$
9..	539 104763....8	RETAINER, U TYPE $5/16$ -18	25..	539 990316....6	RHSNB $5/16$ -18 x $3/4$
10..	539 132859....1	SHIELD, HEAT	26..	539 990208....3	RHSNB $5/16$ -18 x 1
11..	575 245202....2	BRACKET, DAMPENER	27..	539 112899..12	NUT $5/16$ -18 HEX FLANGE NYL
12..	575 230402....1	SHIELD, MUFFLER BLK	28..	521 996501....2	NUT $3/8$ -16 HEX FLG NYLOC
13..	505 256401....2	STOP, DECK	29..	539 200282....6	NUT $3/8$ -16 HEX JAM NYLOC
14..	575 533602....2	MOUNT, TANK BLK	30..	539 990250....1	WASHER
15..	539 102587....5	BUMPER	31..	539 990188....2	WASHER $5/16$ SAE FLAT
16..	539 104411....1	KNOB w/ STUD				

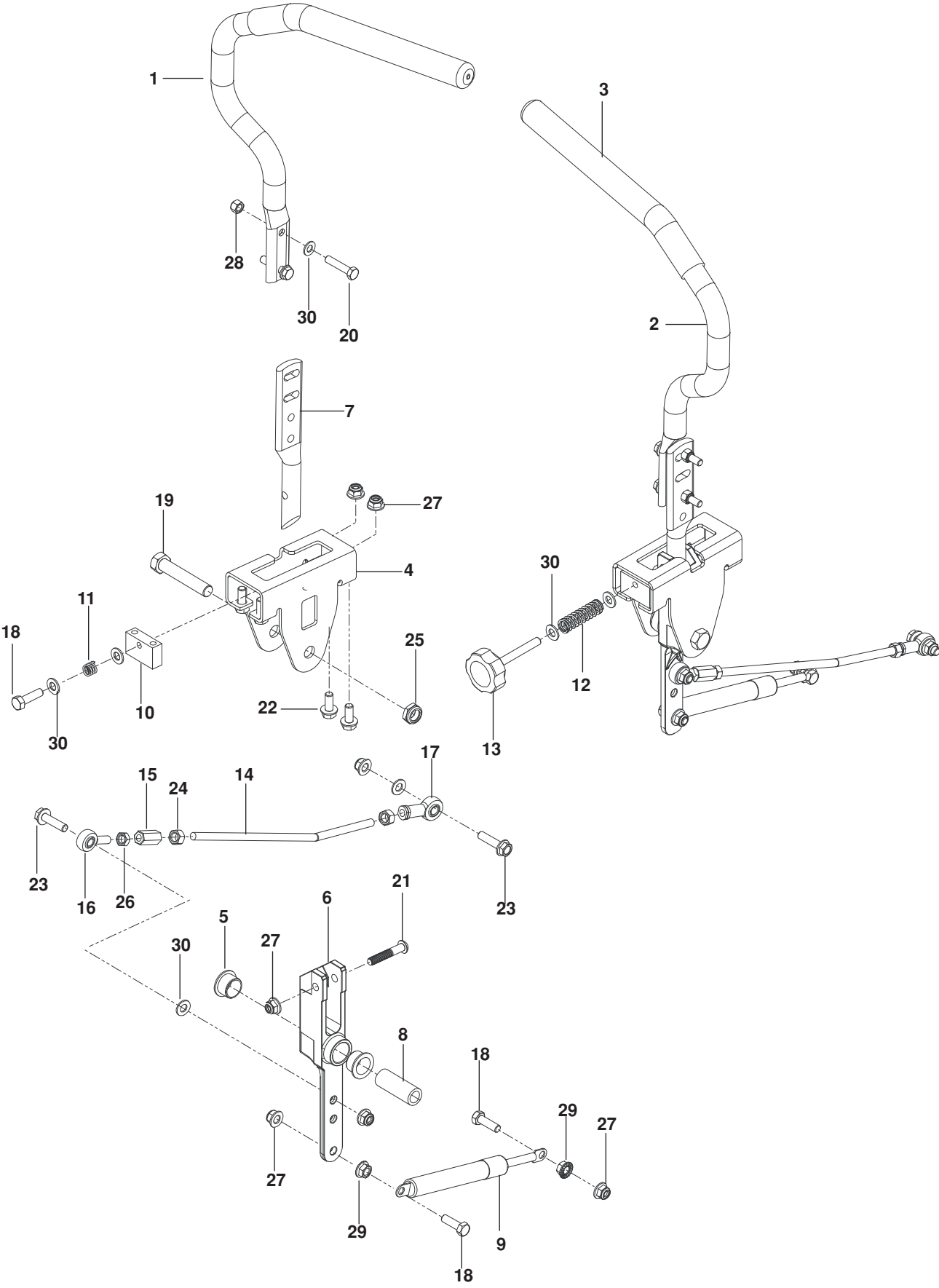
ENGINE PLATE



ENGINE PLATE

ITEM	PART NO.	QTY.	DESCRIPTION	ITEM	PART NO.	QTY.	DESCRIPTION
1..	574 846302....	1 PLATE, ENGINE BLK	28..	525 464701....	9 HHFS $\frac{5}{16}$ -18 x $\frac{3}{4}$
2..	574 846402....	1 PLATE, IDLER SUPPORT BLK	29..	532 120616....	4 HHFS $\frac{3}{8}$ -16 x 1 THD FRM
3..	574 870901....	1 BELT, HYDRO	30..	539 990071....	1 HCS $\frac{1}{4}$ -20 x $\frac{1}{2}$
4..	574 811001....	1 PULLEY	31..	581 332802....	1 HCS $\frac{7}{16}$ -20 x $2\frac{1}{2}$
5..	539 976688....	1 PULLEY, IDLER	32..	539 103433....	1 HCS $\frac{1}{2}$ -13 x $3\frac{1}{4}$
6..	539 107620....	1 PULLEY, IDLER SECONDARY	33..	539 990209....	2 HCS $\frac{5}{16}$ -18 x 1
7..	510 041603....	1 ARM, IDLER w/ BEARINGS	34..	539 976934....	4 HCS $\frac{5}{16}$ -18 x $\frac{3}{4}$
8..	532 146699....	1 EXHAUST TUBE, RT	35..	539 100413....	1 RHSNB $\frac{3}{8}$ -16 x $1\frac{1}{4}$
9..	532 146700....	1 EXHAUST TUBE, LT	36..	539 107271....	2 RHSNB $\frac{5}{16}$ -18 x 1
10..	510 206301....	1 PIVOT, BEARING	37..	539 130235....	1 RHSNB $\frac{3}{8}$ -16 x $2\frac{3}{4}$
11..	525 435601....	1 PIVOT, IDLER	38..	539 107475....	2 BOLT $\frac{5}{16}$ -18 x $\frac{3}{4}$ THD FRM
12..	574 607001....	1 CLUTCH	39..	521 991101....	1 NUT $\frac{1}{2}$ -13 FLG NYLOC
13..	539 104763....	4 RETAINER, U TYPE	40..	539 108120....	4 NUT $\frac{1}{4}$ -20 THIN NYLOC
14..	510 254401....	1 SPRING, PUMP	41..	539 112899....	13 NUT $\frac{5}{16}$ -18 HEX FLG NYLOC
15..	539 114662....	1 SHIELD, DUST	42..	539 990613....	1 NUT $\frac{3}{8}$ -16 WHIZLK
16..	510 254501....	2 SHIELD, DUST	43..	539 200282....	4 NUT $\frac{3}{8}$ -16, JAM NYLOC
17..	539 912757....	1 KEY $\frac{1}{4}$ SQ x $1\frac{1}{4}$	44..	521 996501....	2 NUT $\frac{3}{8}$ -16 FLG NYLOC
18..	575 229902....	1 BRACKET, MUFFLER BLK	45..	539 111897....	1 WASHER $\frac{3}{8}$ SPECIAL
19..	539 131604....	1 MUFFLER	46..	539 990247....	1 WASHER $\frac{7}{16}$ SLW
20..	539 101714....	1 SOLENOID	47..	539 990188....	2 WASHER $\frac{5}{16}$ SAE
21..	575 017302....	1 STOP, CLUTCH	48..	539 990053....	2 WASHER $\frac{1}{4}$ INT TOOTH LK
22..	539 102759....	3 INSULATOR	49..	539 109554....	2 WASHER $\frac{1}{2}$
23..	584 825501....	1 HOSE, DRAIN	50..	539 115528....	1 WASHER $\frac{1}{2}$ BELLEVILLE
24..	539 102757....	1 CABLE, POSITIVE	51..	539 109562....	1 WASHER $\frac{3}{8}$
25..	539 101363....	1 CLAMP	NOT SHOWN			
26..	539 990302....	2 SCREW $\frac{1}{4}$ -20 x $\frac{3}{8}$ THD FRM	539 107516....	1 PIGTAIL	
27..	525 866201....	1 HHFS $\frac{3}{8}$ -16 x 2				

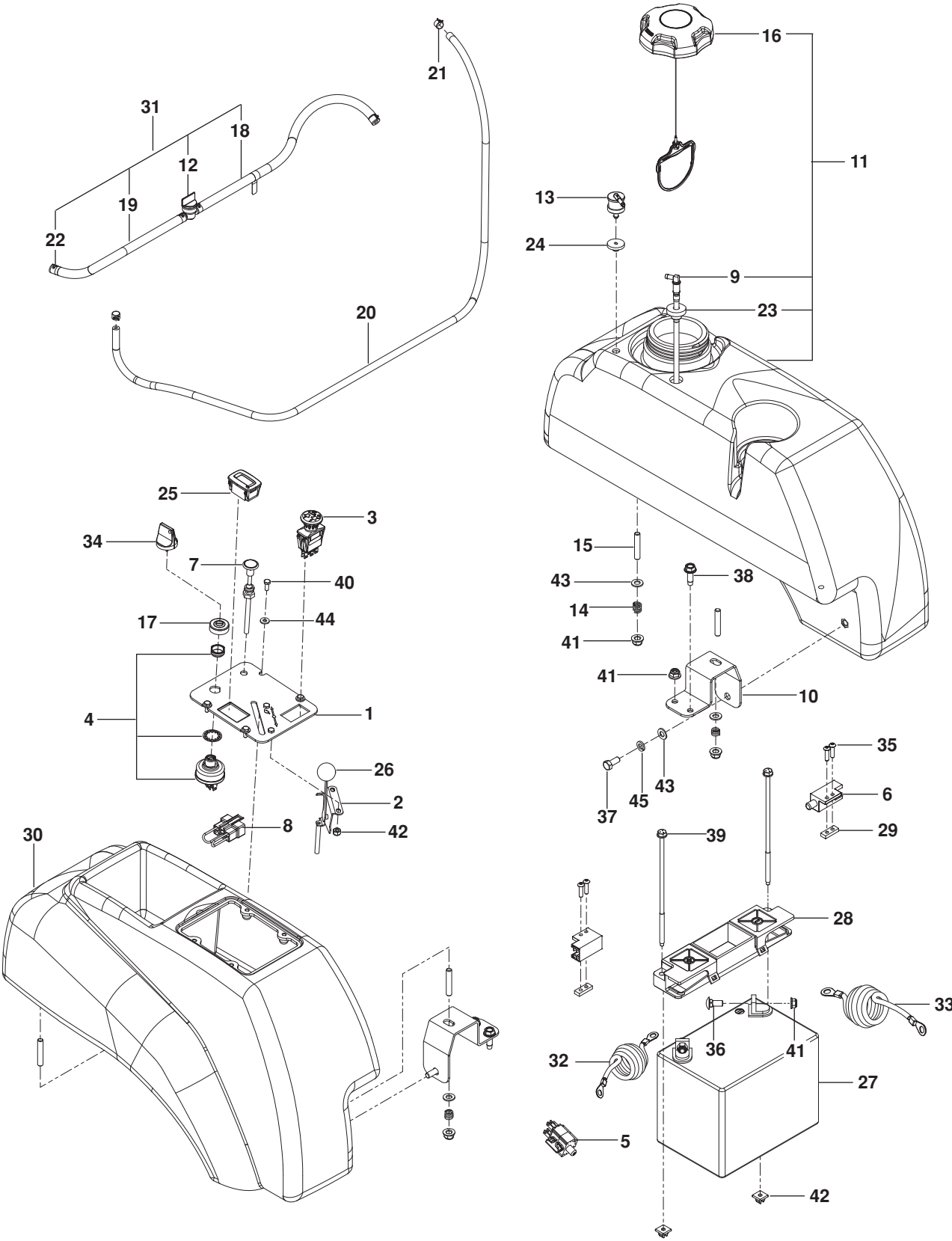
STEERING



STEERING

ITEM	PART NO.	QTY.	DESCRIPTION	ITEM	PART NO.	QTY.	DESCRIPTION
1..	539 132009....	1 LEVER w/ GRIP RT	16..	539 116690....	2 ROD END LT
2..	539 132010....	1 LEVER w/ GRIP LT	17..	539 115729....	2 ROD END RT
3..	539 130894....	2 GRIP, FOAM	18..	539 990627....	5 HCS $\frac{5}{16}$ -18 x $1\frac{1}{4}$
4..	577 251701....	2 BRACKET, CONTROL	19..	539 101332....	2 HCS $\frac{1}{2}$ -13 x $2\frac{3}{4}$
5..	539 131518....	4 BEARING, FLANGE	20..	539 976935....	4 HCS $\frac{5}{16}$ -18 x $1\frac{1}{2}$
6..	576 140301....	2 LEVER, CONTROL	21..	576 850402....	2 SCREW $\frac{5}{16}$ -18 X $1\frac{3}{4}$ BTN HD
7..	577 420001....	2 LEVER, HANDLE	22..	525 464701....	8 HHFS $\frac{5}{16}$ -18 X $\frac{3}{4}$
8..	577 252401....	2 SPACER, PIVOT CONTROL	23..	525 544001....	4 HHFS $\frac{5}{16}$ -18 x $1\frac{1}{4}$ TPBLT
9..	539 102720....	2 DAMPENER	24..	539 990223....	4 NUT $\frac{5}{16}$ -24 HEX
10..	577 251801 ...	2 BLOCK, TRACKING	25..	539 108010....	2 NUT $\frac{1}{2}$ -13 HEX JAM NYL GR2
11..	539 102845....	1 SPRING	26..	539 991073....	2 NUT $\frac{5}{16}$ -24 HEX JAM LH
12..	576 850301....	1 SPRING	27..	539 112899..	10 NUT $\frac{5}{16}$ -18 HEX FLG NYLOC
13..	539 131799....	1 KNOB	28..	539 990717....	6 NUT $\frac{5}{16}$ -18 HEX NYLOC
14..	574 811401....	2 ROD, MOTION CONTROL	29..	539 990585....	4 NUT $\frac{5}{16}$ -18 HEX WHIZLK
15..	539 116689....	2 COUPLER, ROD END	30..	539 990188..	12 WASHER $\frac{5}{16}$ SAE FLT

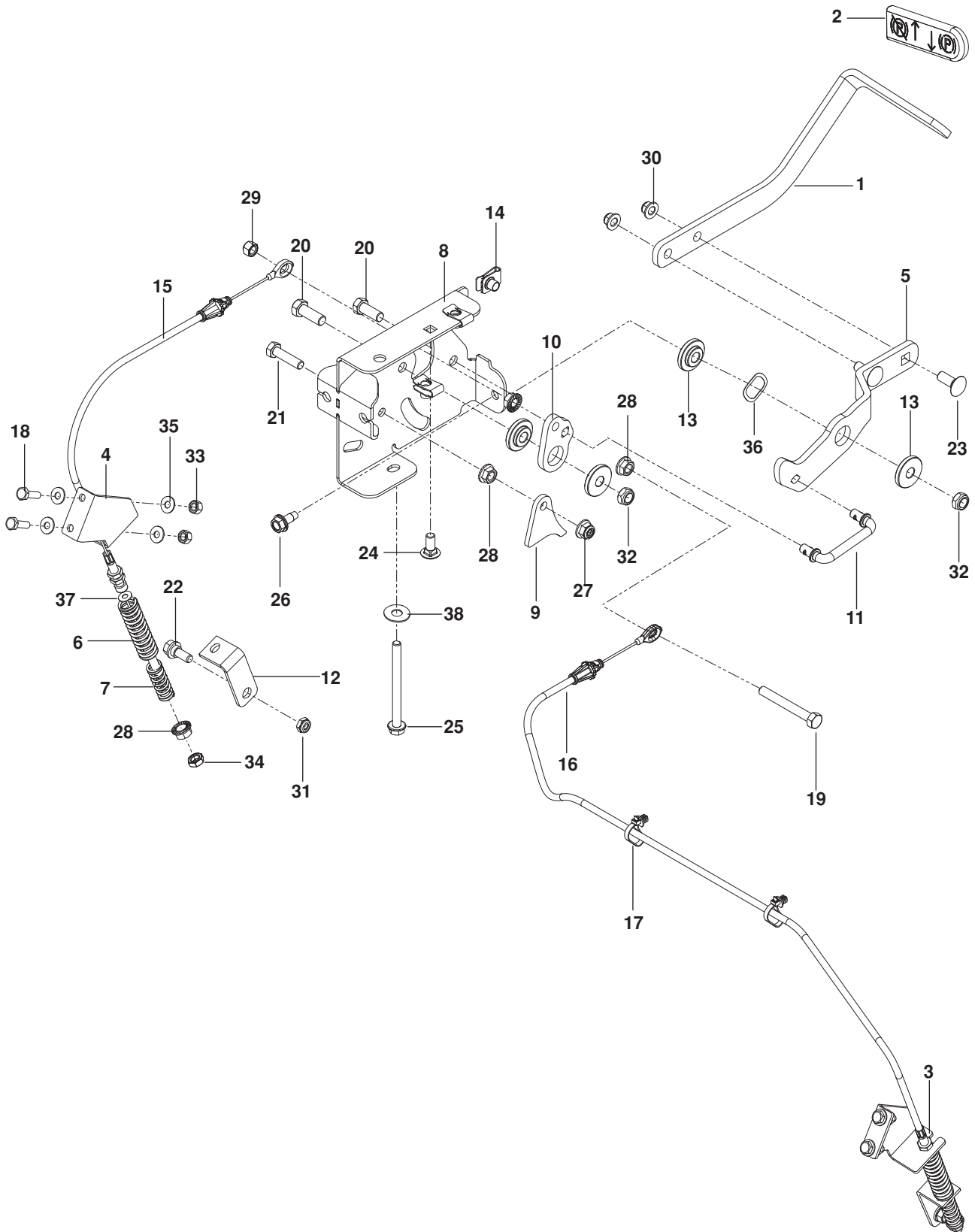
IGNITION



IGNITION

ITEM	PART NO.	QTY.	DESCRIPTION	ITEM	PART NO.	QTY.	DESCRIPTION
1..	574 841204....	1 PLATE, CONSOLE, BLK	25..	532 401763....	1 HOUR METER
2..	539 102732....	1 CABLE, THROTTLE	26..	539 133049....	1 KNOB
3..	539 131627....	1 SWITCH, PTO 10 AMP	27..	539 102436....	1 BATTERY
4..	574 455401....	1 SWITCH, IGNITION	28..	539 107628....	1 BATTERY HOLD DOWN
5..	539 113792....	1 SWITCH, BRAKE	29..	539 102678....	2 PLATE, TAPPED
6..	532 109553....	2 SWITCH, INTERLOCK	30..	539 107593....	1 CONSOLE, RT
7..	539 113458....	1 CHOKE CONTROL	31..	576 547801....	1 ASSY, FUEL LINE
8..	575 321001....	1 PLUG, TIMER	32..	539 104974....	1 CABLE, POSITIVE 31"
9..	576 469201....	1 FITTING, FUEL	33..	539 107645....	1 CABLE, NEGATIVE 32"
10..	539 131671....	2 SUPPORT, TANK, BLK	34..	574 455501....	1 KEY, IGNITION
11..	578 368102....	1 TANK ASSY LT	35..	574 822701....	4 SCREW #10-24 x 3/4 SKT HD
12..	539 916325....	1 VALVE, FUEL	36..	539 990316....	2 RHSNB 5/16-18 x 3/4
13..	576 618101....	1 VALVE, FUEL CHECK	37..	539 976934....	2 HCS 5/16-18 x 3/4
14..	539 102845....	6 SPRING	38..	539 113226....	3 BOLT 5/16-18 x 1 THD FRM
15..	539 102502....	6 STUD 5/16-18	39..	539 107632....	2 BOLT 1/4 x 7 1/2
16..	575 018101....	1 FUEL CAP w /TETHER	40..	539 990411....	6 SCREW #10-24 x 1/2 SLT
17..	539 103178....	1 CAP, IGNITION SWITCH NUT	41..	539 112899..	12 NUT 5/16-18 HEX FLANGE NYL
18..	539 107765....	1 HOSE, FUEL 26"	42..	539 107629....	2 NUT 1/4 PUSH NYLON
19..	539 932956....	1 HOSE, FUEL 10"	43..	539 990188....	8 WASHER 5/16 SAE
20..	576 660601....	1 HOSE 3/16 VAPOR 39"	44..	539 105408....	4 WASHER #10
21..	575 436501....	2 CLAMP, HOSE	45..	539 990187....	2 WASHER 5/16 SLW
22..	539 912222....	4 CLAMP, HOSE	NOT SHOWN			
23..	539 105245....	1 GROMMET, RUBBER	575 320901....	1 HARNESS, MAIN	
24..	576 618201....	1 GROMMET, CHECK VALVE				

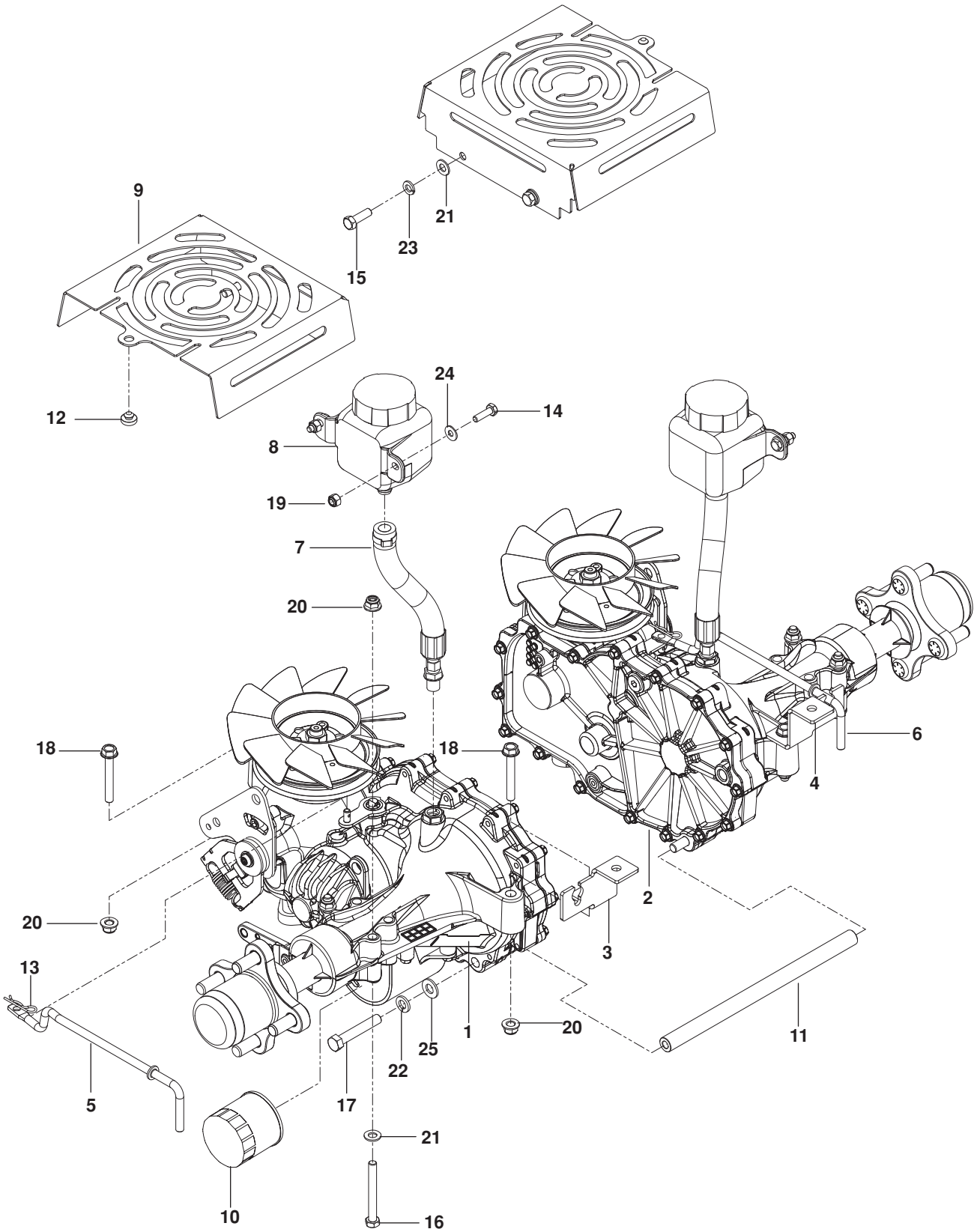
PARK BRAKE



PARK BRAKE

ITEM	PART NO.	QTY.	DESCRIPTION	ITEM	PART NO.	QTY.	DESCRIPTION
1..	539 132151....	1 ARM, BRAKE	20..	539 990563....	2 HCS $\frac{3}{8}$ -16 x 1
2..	539 105036....	1 GRIP, BRAKE HANDLE	21..	539 990209....	1 HCS $\frac{5}{16}$ -18 x 1
3..	575 229602....	1 BRACKET, RT BLK	22..	539 110303....	2 BOLT $\frac{5}{16}$ SHOULDER
4..	575 229702....	1 BRACKET, LT BLK	23..	539 990645....	2 RHSNB $\frac{3}{8}$ -16 x 1
5..	539 132423....	1 LEVER, BRAKE	24..	539 990316....	1 RHSNB $\frac{5}{16}$ -18 x $\frac{3}{4}$
6..	575 230201....	2 SPRING, RETURN	25..	539 131780....	1 HHFS $\frac{5}{16}$ -18 x $3\frac{3}{4}$
7..	575 230301....	2 SPRING, ENGAGEMENT	26..	539 107475....	1 BOLT $\frac{5}{16}$ -18 x $\frac{3}{4}$ THD FRM
8..	539 132158....	1 MOUNT, BRAKE	27..	539 112899....	4 NUT $\frac{5}{16}$ -18 FLANGE NYLOC
9..	539 132154....	1 ACTUATOR, SWITCH	28..	539 990585....	5 NUT $\frac{5}{16}$ -18 HEX WHIZLK
10..	539 132153....	1 BELLCRANK, BRAKE	29..	539 990717....	1 NUT $\frac{5}{16}$ -18 HEX NYLOC
11..	539 132424....	1 LINKAGE, BRAKE	30..	521 996501....	2 NUT $\frac{3}{8}$ -16 HEX FLG NYLOC
12..	575 229802....	2 BRACKET, BRAKE	31..	539 115617....	2 NUT $\frac{5}{16}$ HEX NYLOC
13..	539 132161....	4 BUSHING, BRAKE	32..	539 200282....	2 NUT $\frac{3}{8}$ -16 HEX JAM NYLOC
14..	539 104763....	3 RETAINER, U TYPE $\frac{5}{16}$ -18	33..	539 976978....	4 NUT $\frac{1}{4}$ -20 HEX NYLOC
15..	539 132173....	1 CABLE, BRAKE SHORT	34..	539 107897....	2 NUT $\frac{5}{16}$ -18 HEX JAM
16..	539 132174....	2 CABLE, BRAKE LONG	35..	539 990055....	8 WASHER $\frac{1}{4}$ SAE FLT
17..	505 280001....	2 TIE w/ CLIP	36..	539 133007....	1 WASHER .825 WAVE
18..	539 990643....	4 HCS $\frac{1}{4}$ -20 x $\frac{7}{8}$	37..	539 990122....	2 WASHER $\frac{3}{8}$ SAE
19..	539 108396....	1 HCS $\frac{5}{16}$ -18 x $2\frac{1}{2}$ TPBLT	38..	539 109554....	1 WASHER $\frac{1}{2}$ FLAT

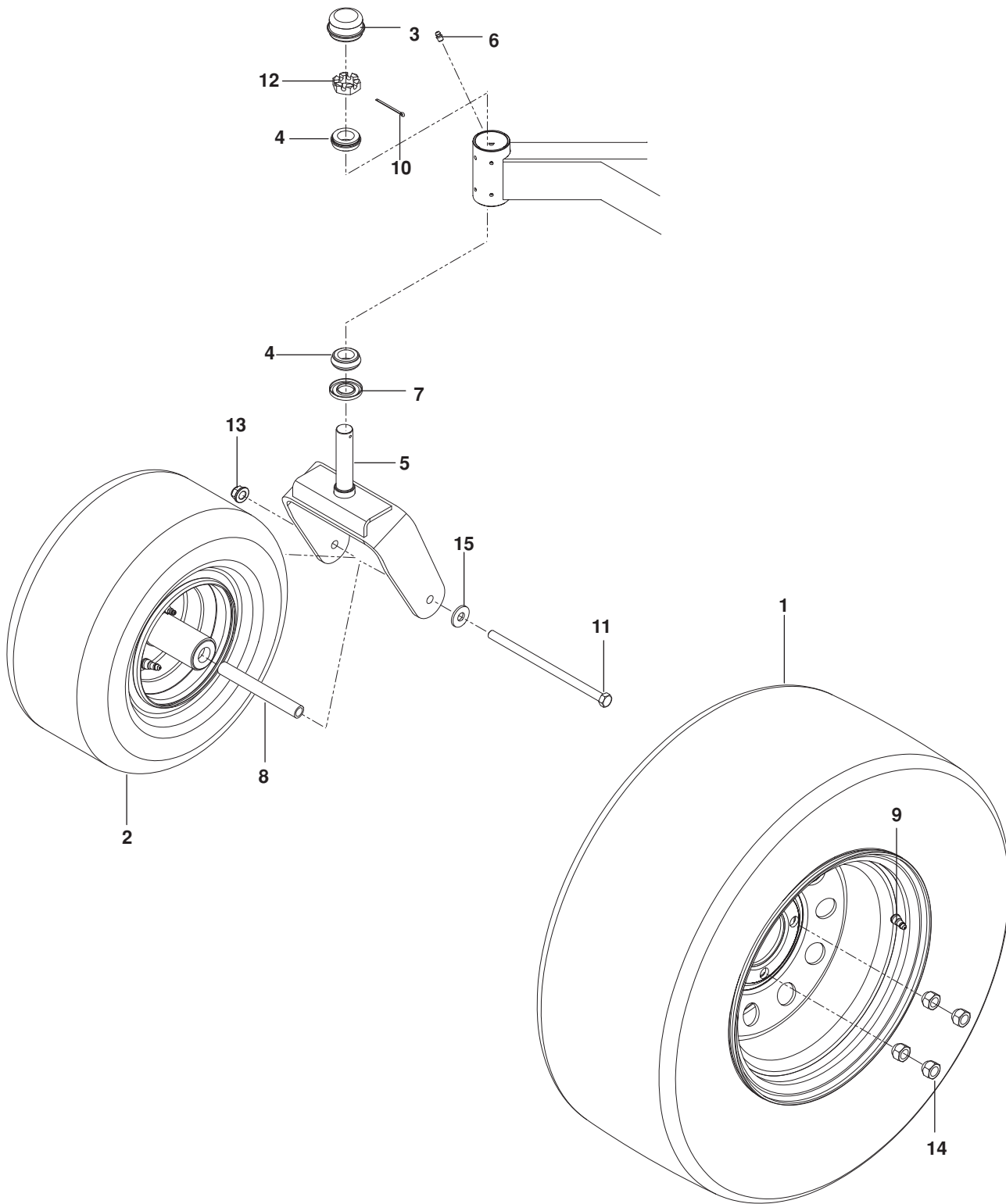
HYDRAULIC PUMP-MOTOR



HYDRAULIC PUMP-MOTOR

ITEM	PART NO.	QTY.	DESCRIPTION	ITEM	PART NO.	QTY.	DESCRIPTION
1..	577 227702....	1 TRANS, ZT-3100, LT	14..	539 990643....	4 HCS 1/4-20 x 7/8
2..	577 227701....	1 TRANS, ZT-3100, RT	15..	539 990209....	4 HCS 5/16-18 x 1
3..	575 017102....	1 BRACKET, TRANS, LT	16..	539 101721....	4 HCS 5/16-18 x 2 3/4
4..	575 017002....	1 BRACKET, TRANS, RT	17..	539 108551....	2 HCS 3/8-16 x 2 1/2 GR8
5..	539 131616....	1 LINKAGE, BYPASS LT	18..	574 233801....	4 HHFS 5/16-18 x 2 1/4
6..	539 131618....	1 LINKAGE, BYPASS RT	19..	539 976978....	4 NUT 1/4-20 HEX NYLOC
7..	574 892101....	2 HOSE, EXPANSION	20..	539 112899....	8 NUT 5/16-18 HEX FLG NYLOC
8..	574 811301....	2 TANK, EXPANSION	21..	539 990188....	4 WASHER 5/16 SAE FLT
9..	575 778202....	2 COVER, FAN	22..	539 990118....	2 WASHER 3/8 SPLT LK
10..	539 113466....	2 FILTER, HYDRO	23..	539 990187....	4 WASHER 5/16 SLW
11..	574 868501....	1 TUBE, SPACER	24..	539 990055....	4 WASHER 1/4 SAE FLT
12..	539 102587....	2 GROMMET, BUMPER	25..	539 990122....	2 WASHER 3/8 SAE FLT
13..	539 976988....	2 HAIRPIN COTTER				

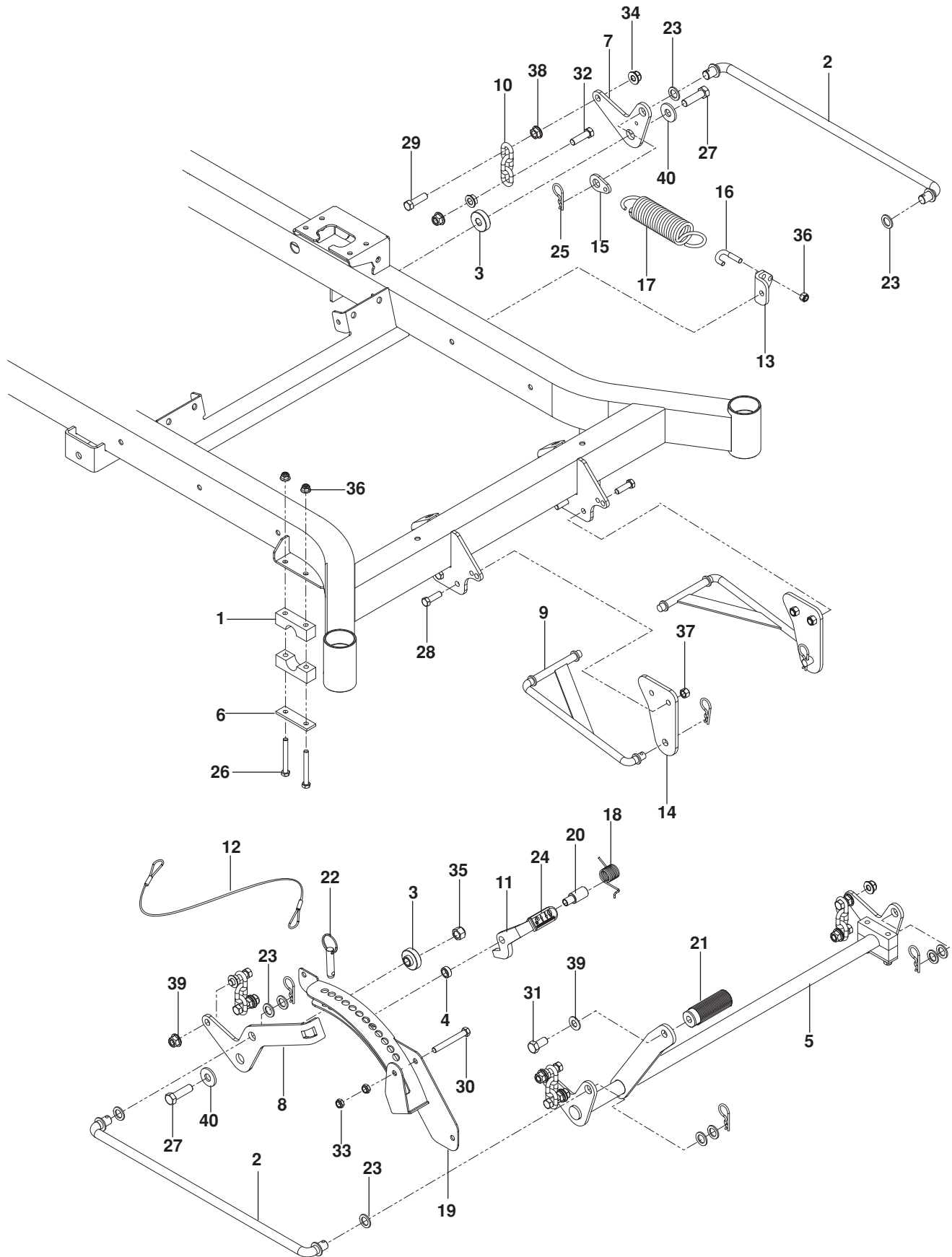
WHEELS



WHEELS

ITEM	PART NO.	QTY.	DESCRIPTION	ITEM	PART NO.	QTY.	DESCRIPTION
1..	580 747001....2	WHEEL ASSY 22 x 10-10	9..	539 912234....2	AIR VALVE
2..	581 199501....2	WHEEL ASSY 13 x 6.5	10..	539 102889....2	COTTER PIN 1/8 x 2
3..	539 102535....2	CAP, GREASE	11..	539 105517....2	HCS 1/2-13 x 9 1/2
4..	539 102543....4	BEARING, ROLLER TAPERED	12..	539 102852....2	NUT 1"-14 SLOTTED JAM
5..	575 329202....2	YOKE, CASTER, ORG	13..	521 991101 ...2	NUT 1/2-13 HEX FLG NYLOC
6..	539 101474....2	ZERK	14..	539 101173....8	NUT 1/2-20 LUG
7..	539 102851....2	SEAL	15..	539 109554....2	WASHER 1/2 FLT
8..	575 334901....2	SPACER, PIVOT				

MOWER LIFT / DECK LIFT



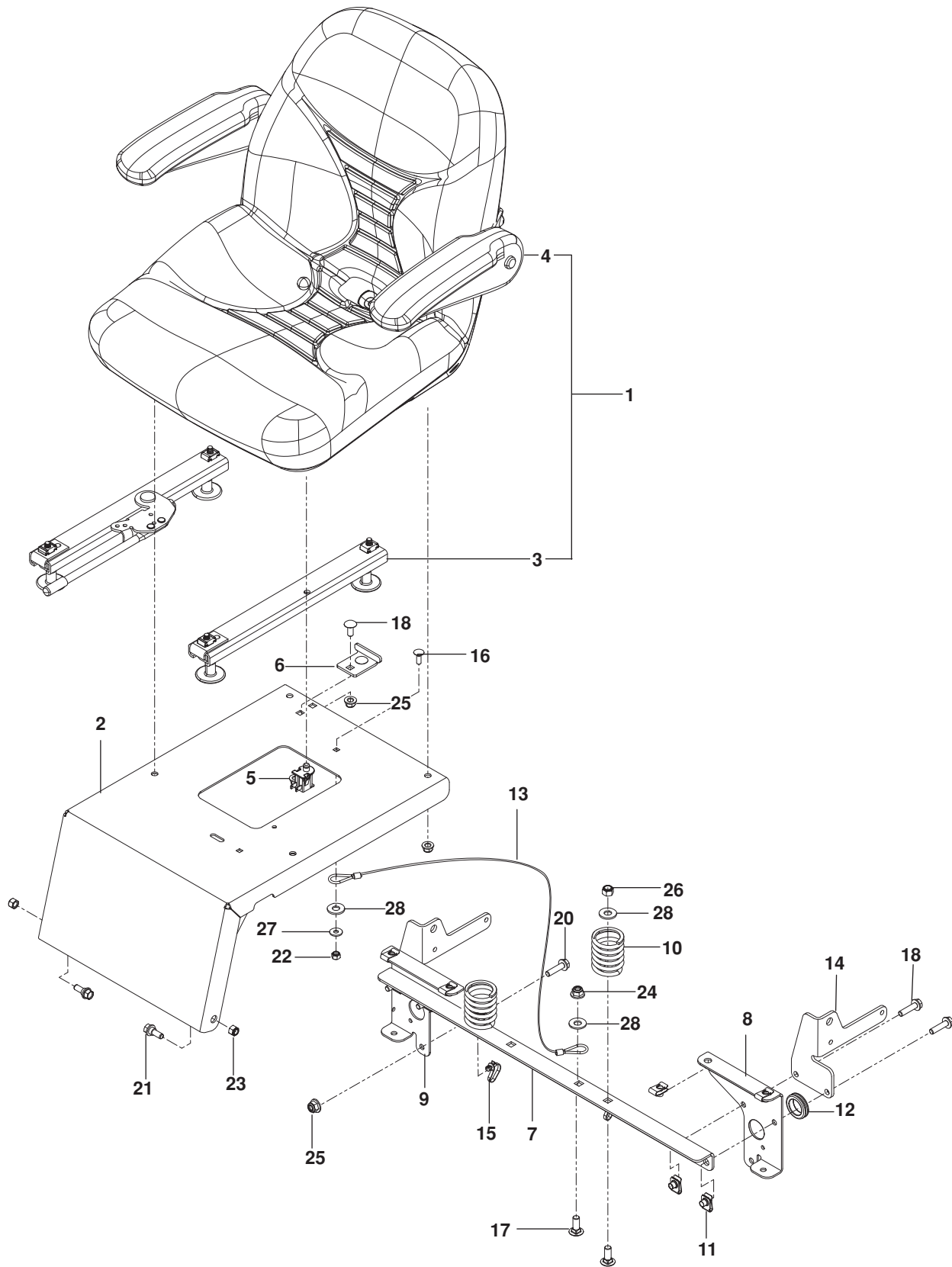
MOWER LIFT / DECK LIFT

ITEM	PART NO.	QTY.	DESCRIPTION	ITEM	PART NO.	QTY.	DESCRIPTION
1..	539 104808....4	PILLOW BLOCK	22..	539 132182....1	PIN 1/2 x 1 1/2 DETENT RING
2..	539 110808....2	LINK, DECK LIFT	23..	539 991043..10	BUSHING .625
3..	539 118937....2	SPACER, IDLER	24..	539 132851....1	GRIP
4..	539 131861....1	SPACER	25..	539 115501....6	PIN, COTTER 1 3/4
5..	581 215202....1	SHAFT, FRONT LIFT BLK	26..	539 101721....4	HCS 5/16-18 x 2 3/4
6..	539 104807....2	REINFORCEMENT BAR	27..	539 108181....2	HCS 1/2-13 x 1 3/4 GR 8
7..	539 131897....1	BELLCRANK, RR, LIFT BLK	28..	539 976941....4	HCS 3/8-16 X 1 1/4
8..	539 131853....1	BELLCRANK, RR, RT BLK	29..	539 101175....4	HCS 7/16-14 x 1 1/2
9..	539 112223....2	LINKAGE, STRUT	30..	874 780648....1	HCS 3/8-16 x 3
10..	539 109693....4	LIFT CHAIN-3 LINK	31..	539 990646....1	HCS 1/2-13 x 1 3/4
11..	539 131566....1	LATCH, TRANSPORT	32..	539 108073....4	HCS 7/16-14 x 1 3/4
12..	539 105059....1	LANYARD	33..	539 200282....2	NUT 3/8-16 HEX JAM NYLOC
13..	539 131791....1	MOUNT, SPRING	34..	539 132019....8	NUT 7/16-14 HEX WHIZ LK
14..	539 132017....2	MOUNT, STRUT	35..	539 101331....2	NUT 1/2 HEX NYLOC
15..	539 131792....1	TAB, SPRING	36..	539 112899....5	NUT 5/16-18 HEX FLG NYLOC
16..	539 112896....1	J-BOLT	37..	539 976979....4	NUT 3/8-16 HEX NYLOC
17..	539 102642....1	SPRING	38..	539 102582....8	NUT 7/16-14 HEX WHIZ LK
18..	539 132734....1	SPRING, TORSION	39..	539 102843....1	WASHER 7/16 SPRING
19..	539 131850....1	HEIGHT ADJUST, DECK	40..	539 109554....2	WASHER 1/2 FLT
20..	539 131860....1	PIVOT LATCH, TRANSPORT				
21..	510 408301....1	PEDAL, FOOT				

MOWER DECK / CUTTING DECK

ITEM	PART NO.	QTY.	DESCRIPTION	ITEM	PART NO.	QTY.	DESCRIPTION
1..	581 505301....	1 DECK w/ SAFETY DECALS	27..	539 110736....	1 PIN, CLEVIS ⁵ / ₁₆
2..	522 811301....	1 BELT, DECK	28..	539 104763....	8 RETAINER, U TYPE ⁵ / ₁₆ -18
3..	539 112079....	3 BLADE, 18"	29..	539 108396....	2 HCS ⁵ / ₁₆ -18 x 2½ TPBLT
4..	539 112170....	3 HOUSING ASSY	30..	539 101341....	2 HCS ³ / ₈ -16 x 3
5..	539 103427....	1 BUSHING, PIVOT	31..	539 990209....	8 HCS ⁵ / ₁₆ -18 x 1
6..	539 112169....	2 BUSHING, IDLER	32..	539 103433....	1 HCS ½-13 x 3¼
7..	539 112198....	1 ARM, IDLER	33..	539 990582....	1 HCS ³ / ₈ -16 x 1 WHIZLK
8..	539 132728....	3 PULLEY, IDLER	34..	539 990563....	2 HCS ³ / ₈ -16 x 1
9..	532 173436....	3 PULLEY	35..	539 990799....	3 RHSNB ⁵ / ₁₆ -18 x ⁵ / ₈
10..	539 112242....	1 BELT SHIELD, RT ORG	36..	539 107271....	2 RHSSNB ⁵ / ₁₆ -18 x 1
11..	539 112244....	1 BELT SHIELD, LT ORG	37..	539 107522....	3 BOLT ⁷ / ₁₆ BLADE
12..	539 131857....	2 PITCH, ADJUST, RT	38..	532 137644....	2 BOLT, SHOULDER
13..	584 859404....	2 PITCH, ADJUST, LT	39..	532 173984....	12 SCREW ⁵ / ₁₆ -18 WSH HD
14..	539 110733....	1 CHUTE, DISCHARGE	40..	539 990717....	3 NUT ⁵ / ₁₆ -18 HEX NYLOC
15..	539 112417....	1 PLATE, CONFINEMENT	41..	539 976979....	6 NUT ³ / ₈ -16 HEX NYLOC
16..	532 110485....	3 BEARING, BALL	42..	539 990196....	2 NUT ⁵ / ₁₆ -18 HEX
17..	532 187291....	1 SHAFT	43..	539 107590....	3 NUT ⁹ / ₁₆ TOP CENTER LOCK
18..	539 103256....	1 SPRING	44..	539 101331....	1 NUT ½ HEX NYLOC
19..	539 110735....	1 SPRING, TORSION	45..	539 112899....	2 NUT ⁵ / ₁₆ -18 HEX FLG NYLOC
20..	532 176066....	1 ROLLER, NOSE	46..	539 102243....	1 WASHER, SUPPORT
21..	532 179127....	1 ROD, ROLLER, NOSE	47..	539 990550....	1 WASHER ½ STD FLT
22..	539 131859....	1 TRUNION, PITCH	48..	539 106504....	2 WASHER, HEAVY
23..	539 107610....	2 WHEEL, GAUGE	49..	539 990692....	10 WASHER ⁵ / ₁₆ STD FLT
24..	581 606002....	1 BRACKET ORG	50..	539 990187....	8 WASHER ⁵ / ₁₆ SLW
25..	539 976998....	1 ZERK	51..	539 990517....	3 WASHER ³ / ₈ STD FLT
26..	539 990365....	2 PIN, COTTER ¹ / ₈ x ³ / ₄	52..	539 107520....	3 WASHER-SPACER

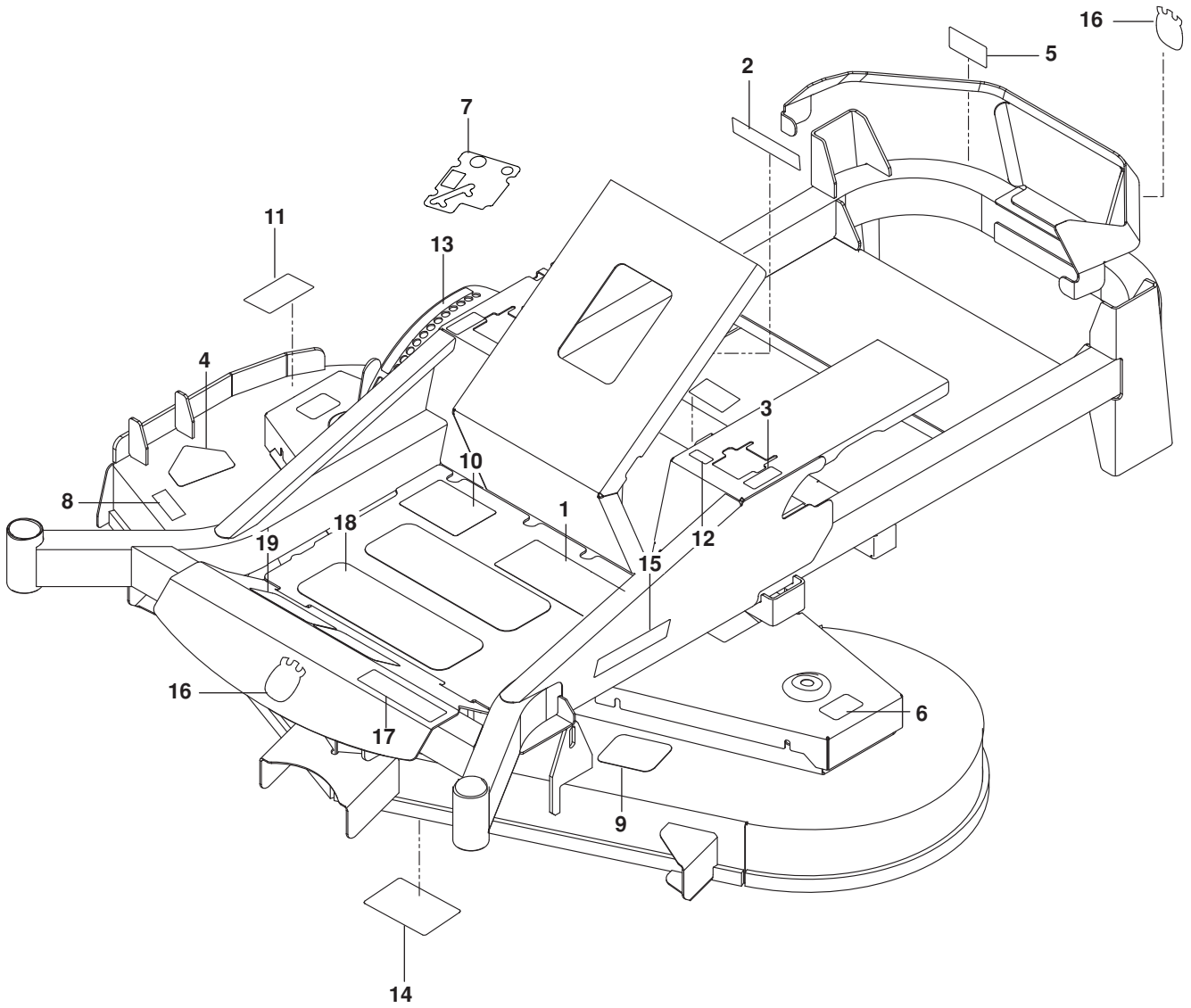
SEAT



SEAT

ITEM	PART NO.	QTY.	DESCRIPTION	ITEM	PART NO.	QTY.	DESCRIPTION
1..	539 130873....	1 SEAT ASSY	15..	505 280001....	2 TIE WRAP w/ CLIP
2..	575 608601....	1 MOUNT, SEAT w/ DECAL	16..	539 990074....	1 RHSNB 1/4-40 x 3/4
3..	539 112037....	1 RAIL SET, SEAT	17..	539 990645....	3 RHSNB 3/8-16 x 1
4..	539 112036....	1 ARM REST, LT	18..	539 109100....	2 RHSNB 5/16-18 x 3/4
	539 112035....	1 ARM REST, RT	19..	525 544001....	4 HHFS 5/16-18 x 1 1/4 TPBLT
5..	532 421062....	1 SWITCH, SEAT	20..	525 464701....	2 HHFS 5/16-18 x 3/4
6..	539 130793....	1 DECK STOP	21..	539 130896....	2 BOLT 5/16-18 SHOULDER
7..	539 131656....	1 SUPPORT, SEAT	22..	539 976978....	1 NUT 1/4-20 HEX NYLOC
8..	575 224102....	1 SUPPORT, LT	23..	539 990717....	2 NUT 5/16-18 HEX NYLOC
9..	575 224002....	1 SUPPORT, RT	24..	521 996501....	1 NUT 3/8-16 HEX FLG NYLOC
10..	539 110300....	2 SPRING, SEAT	25..	539 112899....	8 NUT 5/16-18 HEX FLG NYLOC
11..	539 104763....	8 RETAINER, U TYPE	26..	539 976979....	2 NUT 3/8-16 HEX NYLOC
12..	539 105974....	1 GROMMET RUBBER	27..	539 990598....	1 WASHER 1/4 FLAT
13..	539 103247....	1 LANYARD, SEAT	28..	539 990517....	4 WASHER 3/8 FLAT STD
14..	575 017402....	2 MOUNT, SEAT BELT				

DECALS



DECALS

ITEM	PART NO.	QTY.	DESCRIPTION	ITEM	PART NO.	QTY.	DESCRIPTION
1..	539 107959	...1	...DECAL, WARNING	11..	581 724401	...1	...DECAL, DEFLECTOR
2..	539 105745	...1	...DECAL, BATTERY WARNING	12..	539 110974	...2	...DECAL, TRACKING
3..	539 103333	...2	...DECAL, MOTION CONTROL	13..	539 132039	...1	...DECAL, HEIGHT ADJUST
4..	539 913010	...1	...DECAL, BLADE WARNING	14..	539 132187	...1	...DECAL, SERVICE
5..	539 105744	...1	...DECAL, DANGER BLT DRIVE	15..	532 429196	...2	...DECAL, HUSQVARNA
6..	581 724301	...2	...DECAL, NO STEP	16..	532 428676	...2	...DECAL, CROWN H
7..	574 841103	...1	...DECAL, CONSOLE	17..	585 658901	...1	...DECAL, MZ52
8..	539 105746	...1	...DECAL, SEVERING	18..	539 977778	...2	...PAD, ABRASIVE LG
9..	539 112620	...1	...DECAL, BELT ROUTING	19..	539 121322	...2	...PAD, ABRASIVE SM
10..	539 113213	...1	...DECAL, WARNING				