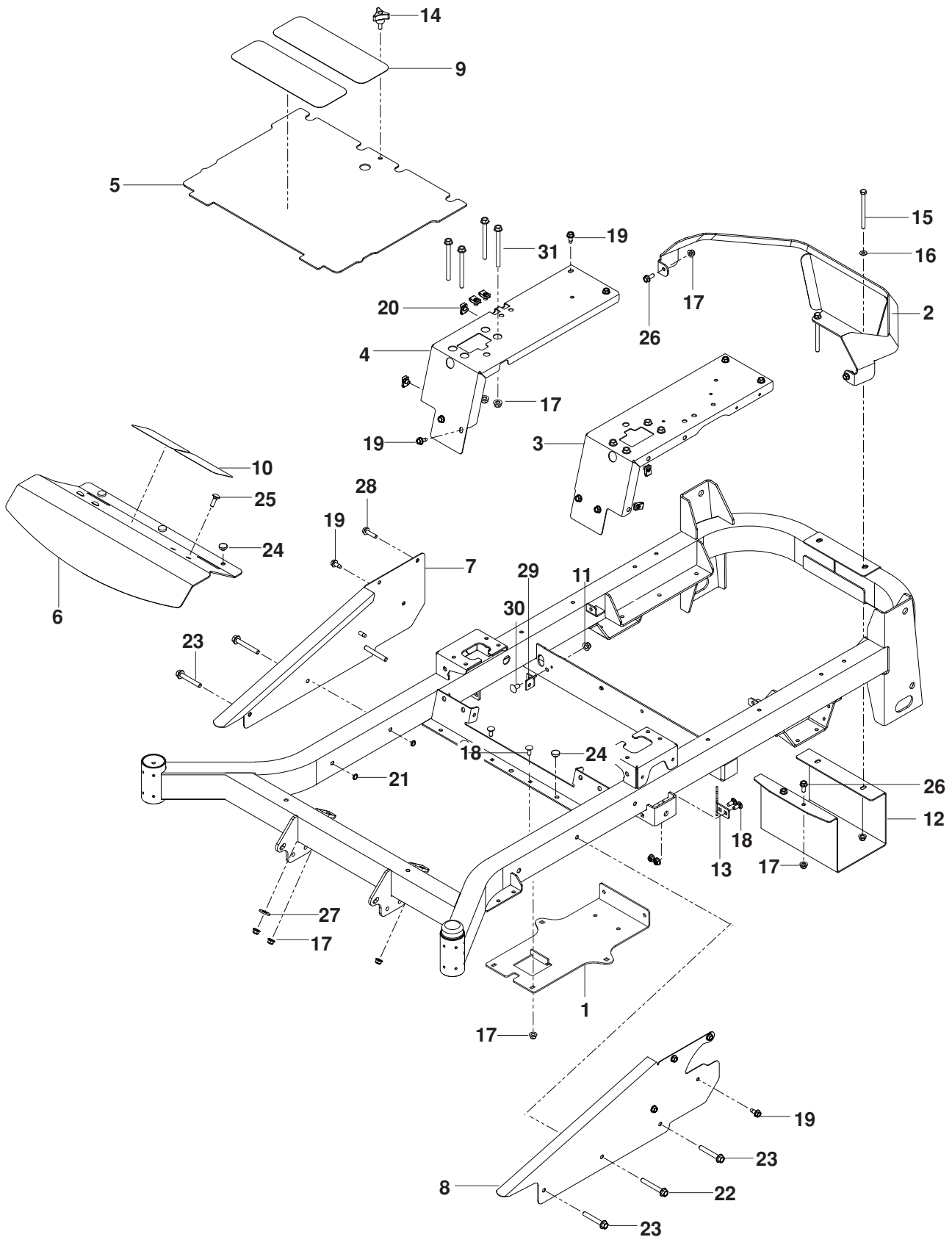


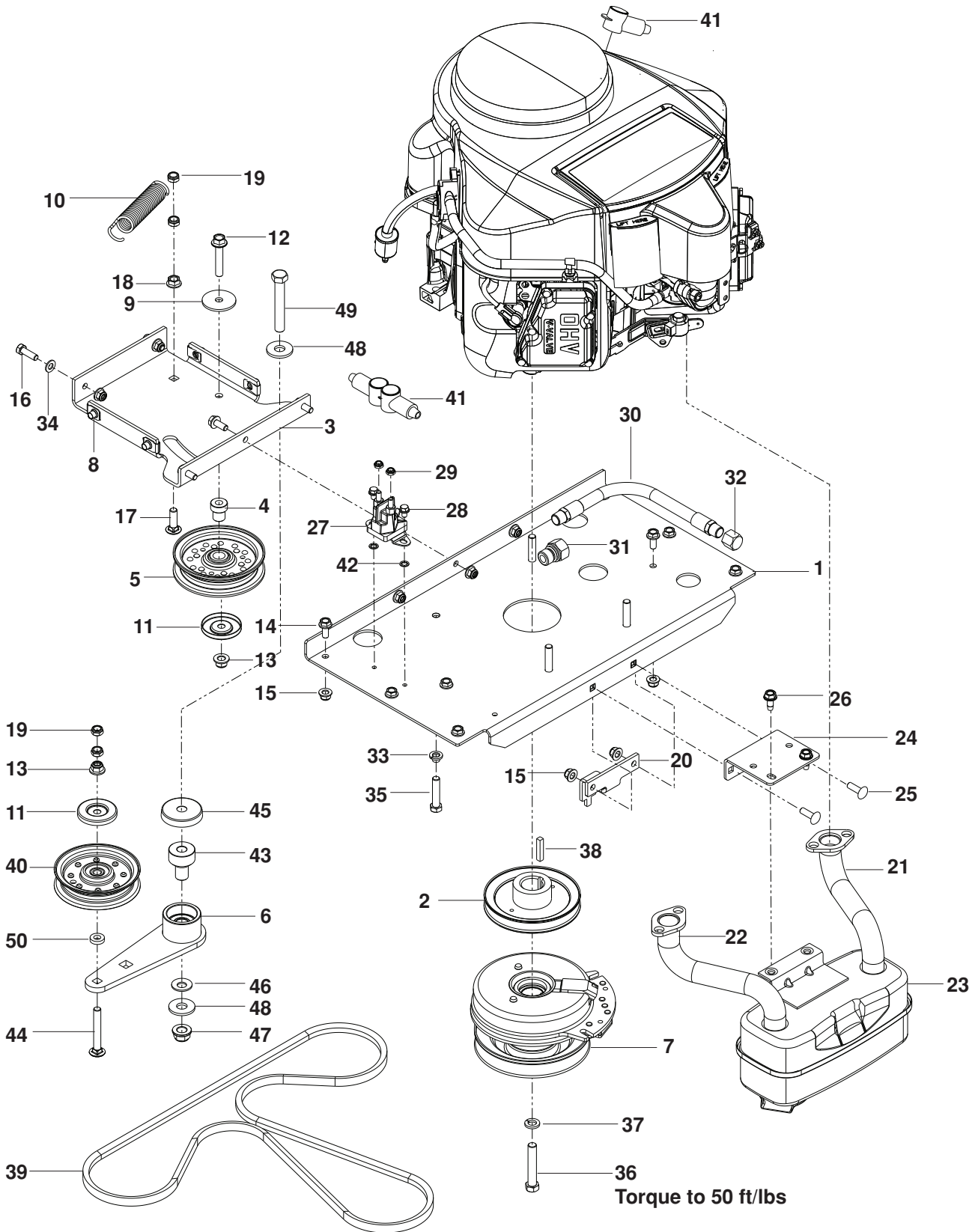
FRAME



FRAME

| ITEM | PART NO. | QTY. | DESCRIPTION | ITEM | PART NO. | QTY. | DESCRIPTION |
|------|----------------|------|--|------|----------------|------|---|
| 1.. | 575 017202.... | 1 | PLATE, BATTERY, BLK | 17.. | 539 112899.. | 15 | NUT $\frac{5}{16}$ -18 FLANGE NYLOC |
| 2.. | 575 348402.... | 1 | GUARD, REAR | 18.. | 539 990316.... | 6 | RHSNB $\frac{5}{16}$ -18 x $\frac{3}{4}$ |
| 3.. | 576 694802.... | 1 | PANEL, LT | 19.. | 539 107475.. | 12 | BOLT $\frac{5}{16}$ -18 x $\frac{3}{4}$ THD FRM |
| 4.. | 576 694702.... | 1 | PANEL, RT | 20.. | 539 104763.... | 8 | RETAINER, U TYPE $\frac{5}{16}$ -18 |
| 5.. | 539 132744.... | 1 | PLATE, FLOOR w/ DECALS | 21.. | 539 200282.... | 6 | NUT $\frac{3}{8}$ -16 HEX JAM NYLOC |
| 6.. | 539 132380.... | 1 | PLATE, FOOTREST | 22.. | 539 131781.... | 2 | SCREW, HX FLG $\frac{3}{8}$ -16 x $2\frac{3}{4}$ |
| 7.. | 539 131579.... | 1 | SIDE, RT | 23.. | 539 133006.... | 4 | SCREW, HX FLG $\frac{3}{8}$ -16 x $2\frac{1}{2}$ |
| 8.. | 539 131577.... | 1 | SIDE, LT | 24.. | 539 102587.... | 5 | GROMMET, BUMPER |
| 9.. | 539 977778.... | 2 | PAD, ABRASIVE LG | 25.. | 539 990208.... | 3 | RHSNB $\frac{5}{16}$ -18 x 1 |
| 10.. | 539 121322.... | 2 | PAD, ABRASIVE SM | 26.. | 525 464701.... | 4 | HHFS $\frac{5}{16}$ -18 x $\frac{3}{4}$ |
| 11.. | 521 996501.... | 2 | NUT $\frac{3}{8}$ -16 HEX FLG NYLOC | 27.. | 539 990250.... | 1 | WASHER |
| 12.. | 575 230402.... | 1 | SHIELD, MUFFLER | 28.. | 525 544001.... | 1 | HHFS $\frac{5}{16}$ -18 x $1\frac{1}{4}$ TPBLT |
| 13.. | 505 256401.... | 2 | STOP, DECK | 29.. | 575 245202.... | 2 | BRACKET, DAMPENER |
| 14.. | 539 104411.... | 1 | KNOB w/ STUD | 30.. | 539 109117.... | 2 | RHSNB $\frac{3}{8}$ -16 x $\frac{3}{4}$ |
| 15.. | 539 102335.... | 3 | HCS $\frac{5}{16}$ -18 x 4 | 31.. | 539 131780.... | 8 | HHFS $\frac{5}{16}$ -18 x $3\frac{3}{4}$ |
| 16.. | 539 990188.. | 10 | WASHER $\frac{5}{16}$ SAE FLAT | | | | |

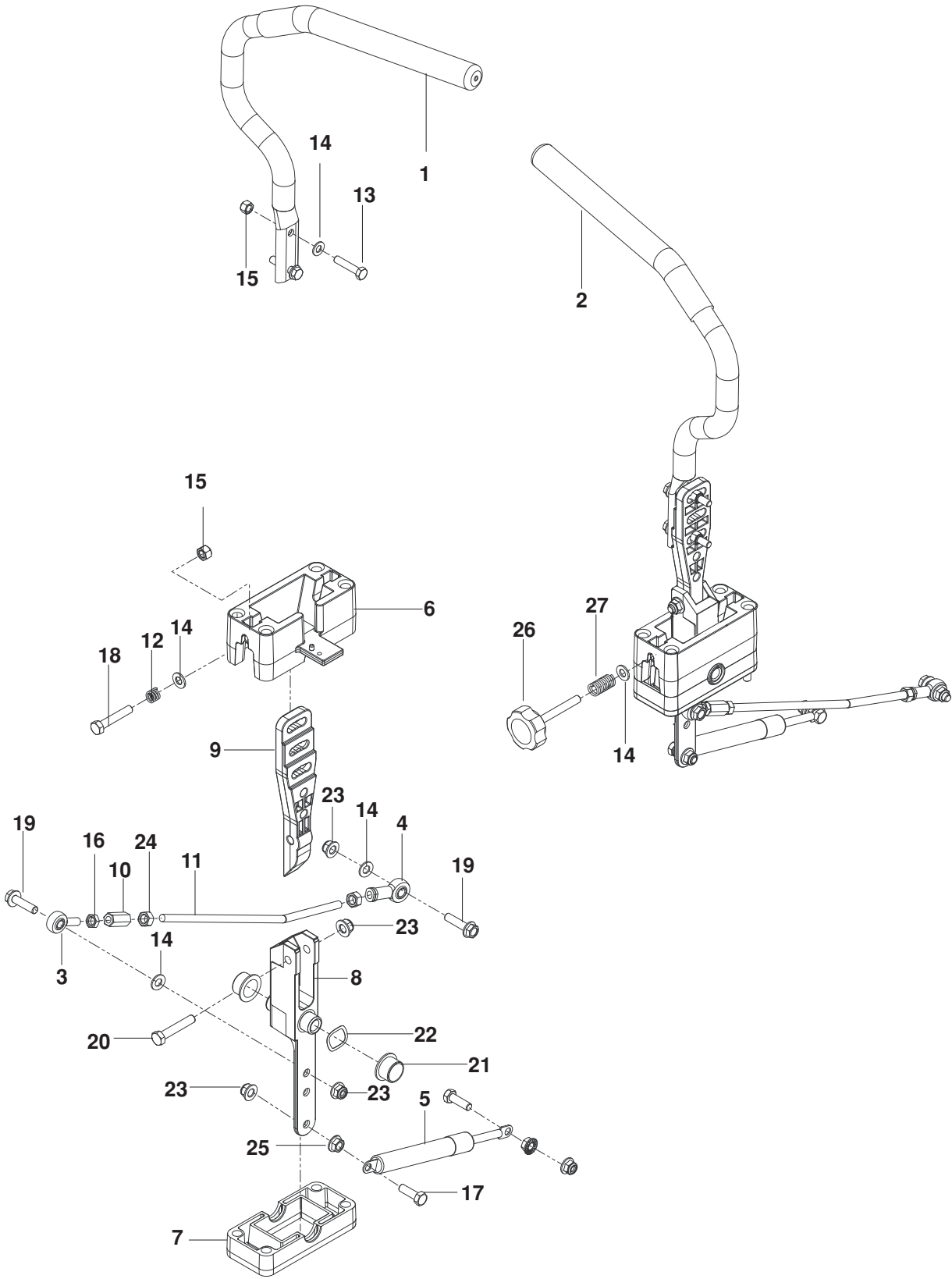
ENGINE PLATE



ENGINE PLATE

| ITEM | PART NO. | QTY. | DESCRIPTION | ITEM | PART NO. | QTY. | DESCRIPTION |
|------|----------------|------|---------------------------------|----------------|----------------|----------------------|------------------------------|
| 1.. | 575 608801.... | 1 | PLATE, ENGINE w/ DECAL | 28.. | 539 990302.... | 2 | SCREW ¼-20 x 8 THD FRM |
| 2.. | 574 811001.... | 1 | PULLEY, V 1 1/8 BORE | 29.. | 539 108120.... | 3 | NUT ¼-20 HEX THIN NYLOC |
| 3.. | 574 846402.... | 1 | PLATE, IDLER SUPPORT | 30.. | 539 101362.... | 1 | HOSE, DRAIN |
| 4.. | 525 435601.... | 1 | PIVOT, IDLER | 31.. | 522 599001.... | 1 | ADAPTER |
| 5.. | 539 976688.... | 1 | PULLEY, IDLER | 32.. | 539 101364.... | 1 | PLUG, OIL |
| 6.. | 510 041603.... | 1 | ARM, IDLER w/ BEARINGS | 33.. | 539 990118.... | 1 | WASHER 3/8 SPLT LK |
| 7.. | 574 607001.... | 1 | CLUTCH, 200 FT-LB | 34.. | 539 990188.... | 2 | WASHER 5/16 SAE FLAT |
| 8.. | 539 104763.... | 4 | RETAINER, U TYPE 5/16-18 | 35.. | 539 976949.... | 4 | HCS 3/8-16 x 1 3/4 |
| 9.. | 539 111897.... | 1 | WASHER, SPECIAL | 36.. | 539 991120.... | 1 | HCS 7/16-20 x 2 1/2 |
| 10.. | 510 254401.... | 1 | SPRING, PUMP | 37.. | 539 990247.... | 1 | WASHER 7/16 SLW |
| 11.. | 510 254501.... | 2 | SHIELD, DUST | 38.. | 539 912757.... | 1 | KEY ¼ SQ x 1 ¼ |
| 12.. | 525 866201.... | 1 | HHFS 3/8-16 x 2 | 39.. | 574 870901.... | 1 | BELT |
| 13.. | 521 996501.... | 2 | NUT 3/8-16 HEX FLG NYLOC | 40.. | 539 107620.... | 1 | PULLEY, IDLER SECONDARY |
| 14.. | 525 464701.. | 11 | HHFS 5/16-18 x 3/4 | 41.. | 539 102759.... | 3 | INSULATOR |
| 15.. | 539 112899.. | 15 | NUT 5/16-18 HEX FLG NYLOC | 42.. | 539 990053.... | 2 | WASHER ¼ INT TOOTH LK |
| 16.. | 539 990209.... | 2 | HCS 5/16-18 x 1 | 43.. | 510 206301.... | 1 | PIVOT, BEARING |
| 17.. | 539 100413.... | 1 | RHSNB 3/8-16 x 1 ¼ | 44.. | 539 130235.... | 1 | RHSNB 3/8-16 x 2 3/4 |
| 18.. | 539 990613.... | 1 | NUT 3/8-16 HEX WHIZLK | 45.. | 539 114662.... | 1 | SHIELD, DUST |
| 19.. | 539 200282.... | 4 | NUT 3/8-16 HEX JAM NYLOC | 46.. | 539 115528.... | 1 | WASHER ½" BELLEVILLE |
| 20.. | 575 017302.... | 1 | STOP, CLUTCH | 47.. | 521 991101.... | 1 | NUT ½-13 HEX FLG NYLOC |
| 21.. | 532 424765.... | 1 | EXHAUST TUBE, RT | 48.. | 539 109554.... | 2 | WASHER ½ FLAT ZD |
| 22.. | 532 424766.... | 1 | EXHAUST TUBE, LT | 49.. | 539 103433.... | 1 | HCS ½-13 x 3 ¼ |
| 23.. | 539 131604.... | 1 | MUFFLER ASM TWIN | 50.. | 539 109562.... | 1 | WASHER 3/8 x 3/4 |
| 24.. | 575 229902.... | 1 | BRKT, MUFFLER, BLK | NOT SHOWN | | | |
| 25.. | 539 107271.... | 2 | RHSNB 5/16-18 x 1 | 539 102757 ... | 1 | CABLE, POSITIVE | |
| 26.. | 539 107475.... | 2 | BOLT 5/16-18 x 3/4 THD FRM | 539 107516 ... | 1 | PIGTAIL, | |
| 27.. | 539 101714.... | 1 | SOLENOID | | | | |

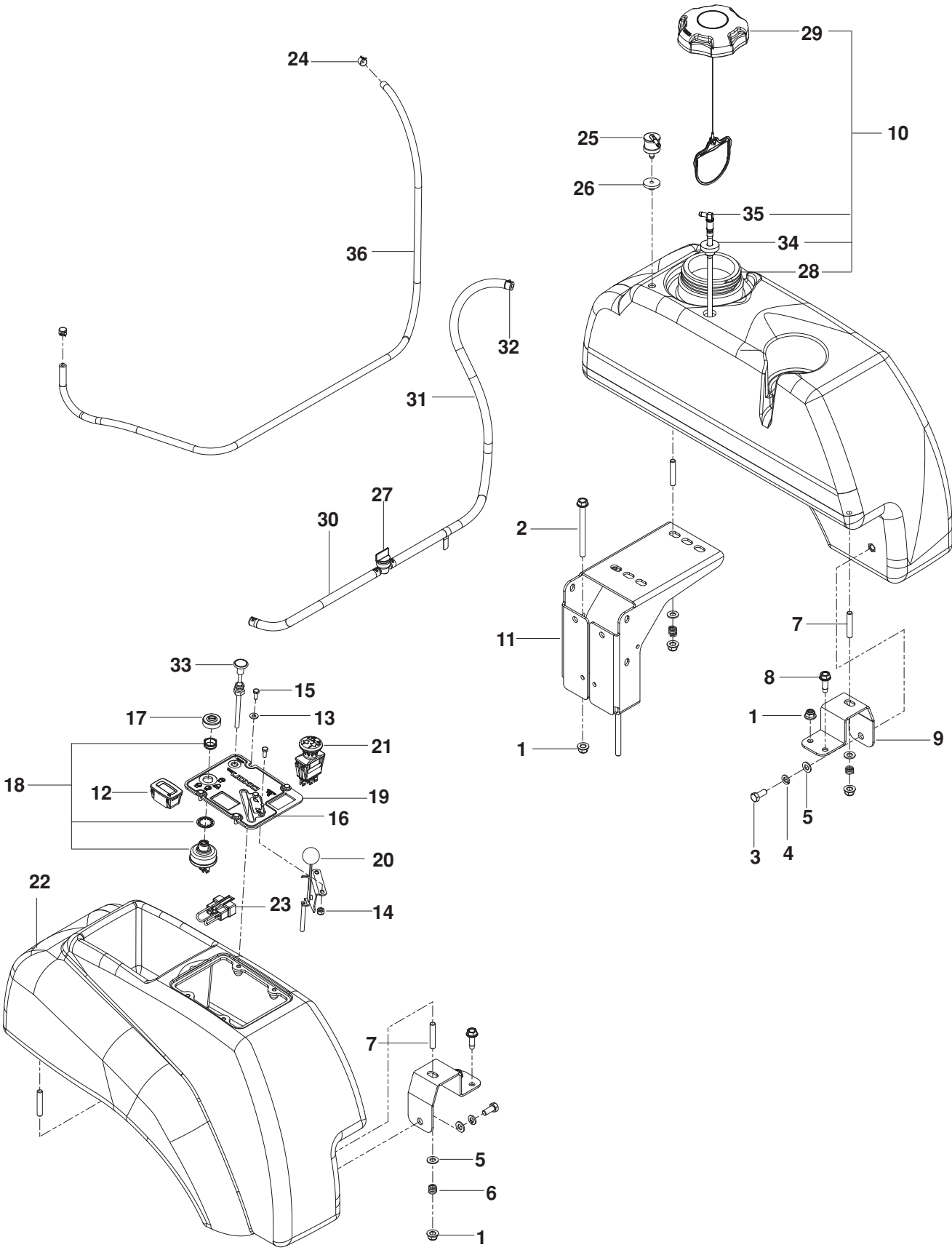
STEERING



STEERING

| ITEM | PART NO. | QTY. | DESCRIPTION | ITEM | PART NO. | QTY. | DESCRIPTION |
|------|----------------|------|--|------|----------------|------|---|
| 1.. | 539 132009.... | 1 | LEVER, DRIVE w/ GRIP RT | 15.. | 539 990717.... | 6 | NUT ⁵ / ₁₆ -18 HEX NYLOC |
| 2.. | 539 132010.... | 1 | LEVER, DRIVE w/ GRIP LT | 16.. | 539 991073.... | 2 | NUT ⁵ / ₁₆ -24 HEX JAM LH |
| 3.. | 539 116690.... | 2 | ROD END LH | 17.. | 539 990209.... | 2 | BOLT, HEX ⁵ / ₁₆ -18 x 1 |
| 4.. | 539 115729.... | 2 | ROD END RH | 18.. | 539 108394.... | 1 | BOLT ⁵ / ₁₆ -18 x 1 ³ / ₄ TPBLT |
| 5.. | 539 102720.... | 2 | DAMPENER | 19.. | 525 544001.... | 4 | HHFS ⁵ / ₁₆ -18 x 1 ¹ / ₄ TPBLT |
| 6.. | 539 131517.... | 2 | BLOCK, UPPER | 20.. | 539 990669.... | 2 | BOLT, HEX ⁵ / ₁₆ -18 x 1 ³ / ₄ |
| 7.. | 539 131519.... | 2 | BLOCK, LOWER | 21.. | 539 131518.... | 4 | BEARING, FLANGE |
| 8.. | 522 452901.... | 2 | PIVOT SECTION, DR CNTRL | 22.. | 539 133007.... | 2 | WASHER .825, WAVE |
| 9.. | 539 131521.... | 2 | MOUNT, DR CNTRL HANDLE | 23.. | 539 112899.... | 8 | NUT ⁵ / ₁₆ -18 HEX FLG NYLOC |
| 10.. | 539 116689.... | 2 | COUPLER, ROD END | 24.. | 539 990223.... | 4 | NUT ⁵ / ₁₆ -24 HEX |
| 11.. | 574 811401.... | 2 | ROD, MOTION CONTROL | 25.. | 539 990585.... | 4 | NUT ⁵ / ₁₆ -18 HEX WHIZLK |
| 12.. | 539 102845.... | 1 | SPRING | 26.. | 539 131799.... | 1 | KNOB |
| 13.. | 539 976935.... | 4 | BOLT, HEX ⁵ / ₁₆ -18 x 1 ¹ / ₂ | 27.. | 539 101224.... | 1 | SPRING |
| 14.. | 539 990188.... | 8 | WASHER ⁵ / ₁₆ SAE FLAT | | | | |

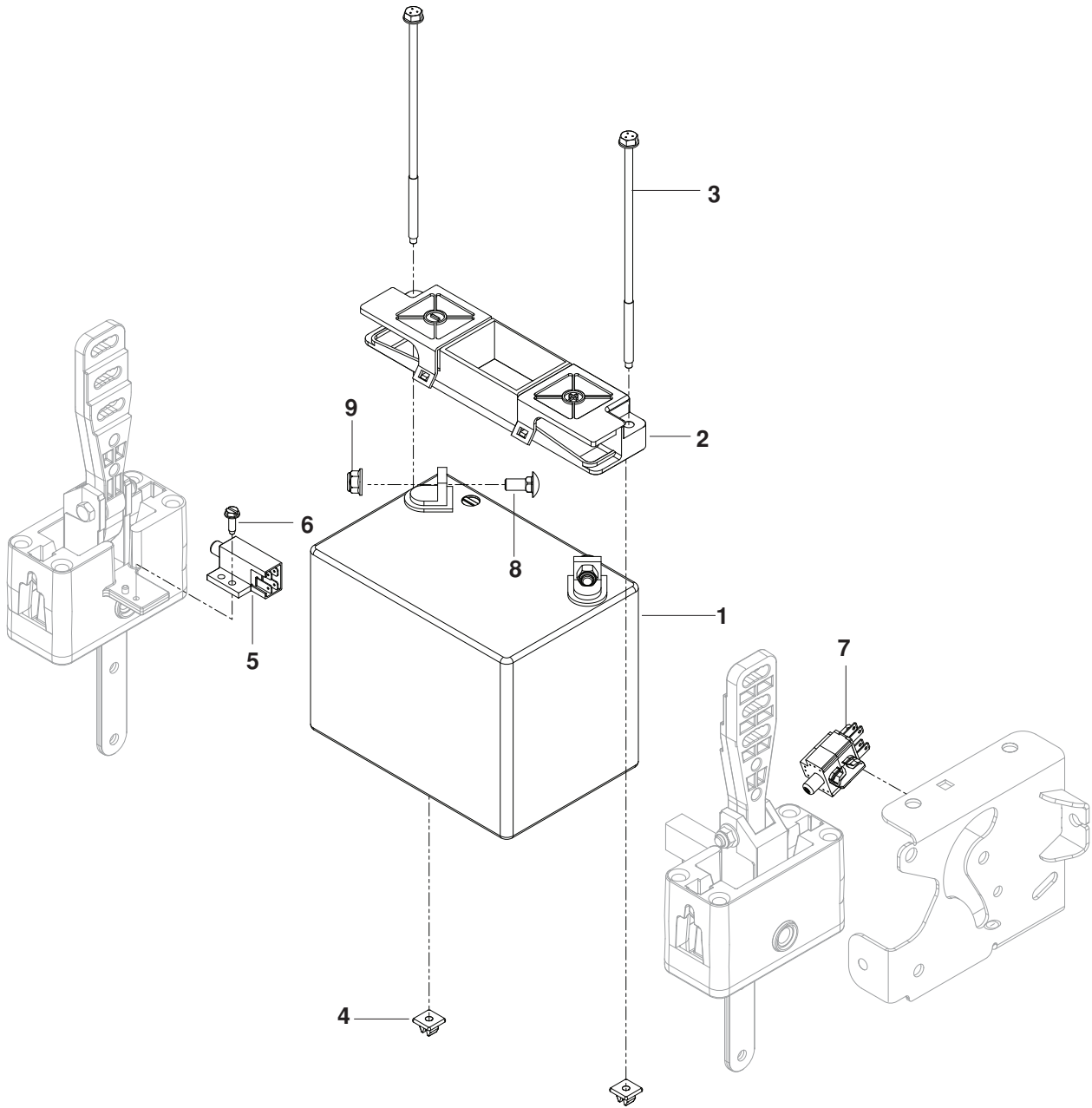
IGNITION



IGNITION

| ITEM | PART NO. | QTY. | DESCRIPTION | ITEM | PART NO. | QTY. | DESCRIPTION |
|------|----------------|------|----------------------------|-----------|----------------|------|----------------------|
| 1.. | 539 112899.. | 11 | NUT 5/16-18 HEX FLG NYLOC | 20.. | 539 102732.... | 1 | THROTTLE CABLE |
| 2.. | 539 131780.... | 4 | HHFS 5/16-18 x 3 3/4 | 21.. | 539 131627.... | 1 | SWITCH, PTO 10 AMP |
| 3.. | 539 976934.... | 2 | HCS 5/16-18 x 3/4 | 22.. | 539 107593.... | 1 | CONSOLE, RT |
| 4.. | 539 990187.... | 2 | WASHER 5/16, SLW | 23.. | 575 321001.... | 1 | PLUG, TIMER |
| 5.. | 539 990188.... | 8 | WASHER 5/16, SAE | 24.. | 575 436501.... | 2 | CLAMP, HOSE |
| 6.. | 539 102845.... | 6 | SPRING, TANK MOUNT | 25.. | 576 618101.... | 1 | VALVE, FUEL CHECK |
| 7.. | 539 102502.... | 6 | STUD 5/16-18 | 26.. | 576 618201.... | 1 | GROMMET, CHECK VALVE |
| 8.. | 539 113226.... | 3 | BOLT 5/16-18 x 1, TRD FORM | 27.. | 539 916325.... | 1 | FUEL VALVE |
| 9.. | 539 131671.... | 2 | SUPPORT, TANK, BLK | 28.. | 576 370101.... | 1 | TANK, LT, FUEL |
| 10.. | 576 370102.... | 1 | TANK, LT, ASSEMBLY | 29.. | 575 018101.... | 1 | FUEL CAP w/ TETHER |
| 11.. | 575 533602.... | 2 | MOUNT, TANK, BLK | 30.. | 539 107765.... | 1 | HOSE, FUEL |
| 12.. | 576 179401.... | 1 | HOUR METER | 31.. | 539 932956.... | 1 | FUEL LINE, 10" |
| 13.. | 539 105408.... | 4 | WASHER #10 | 32.. | 539 912222.... | 4 | HOSE CLAMP |
| 14.. | 539 976977.... | 2 | NUT #10-24, NYLOC | 33.. | 539 113458.... | 1 | CHOKE CONTROL |
| 15.. | 539 990411.... | 6 | SCREW #10-24 x 1/2, SLT | 34.. | 539 105245.... | 1 | GROMMET, RUBBER |
| 16.. | 574 841103.... | 1 | DECAL, CONTROL | 35.. | 576 469201.... | 1 | FITTING, FUEL |
| 17.. | 539 103178.... | 1 | CAP, IGNITION SWITCH NUT | 36.. | 576 660602.... | 1 | HOSE, FUEL |
| 18.. | 574 455401.... | 1 | SWITCH, IGNITION | NOT SHOWN | | | |
| 19.. | 574 841204.... | 1 | PLATE, CONSOLE, BLK | | 539 976856 | 5 | WIRE TIE |

ELECTRICAL

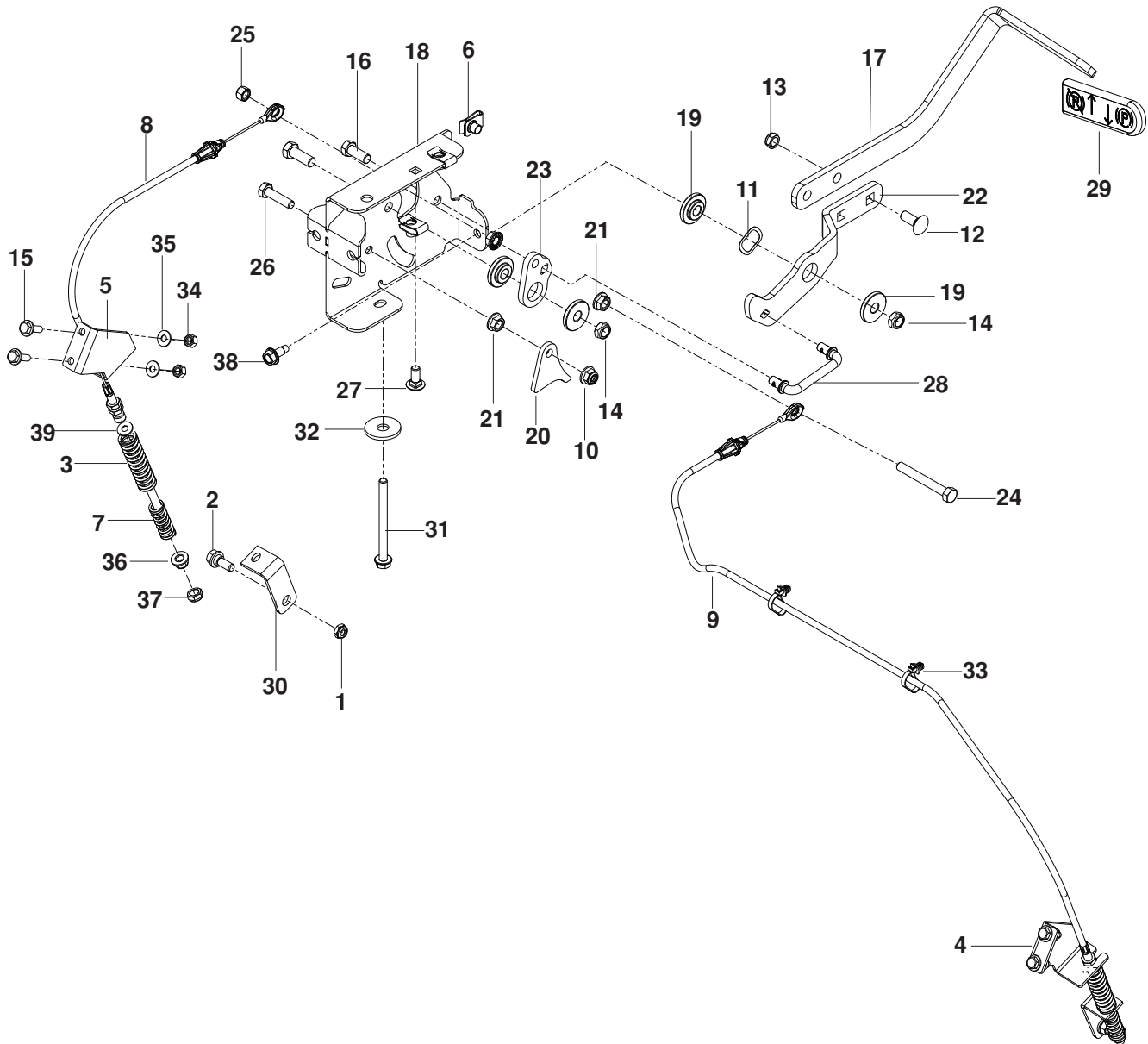


ELECTRICAL

| ITEM | PART NO. | QTY. | DESCRIPTION |
|------|----------------|--------|---------------------------|
| 1.. | 539 102436.... | 1 | BATTERY |
| 2.. | 539 107628.... | 1 | BATTERY HOLD DOWN |
| 3.. | 539 107632.... | 2 | BOLT, 1/4 x 7 1/2 |
| 4.. | 539 107629.... | 2 | NUT 1/4 PUSH, NYLON |
| 5.. | 539 101080.... | 2 | SWITCH, INTERLOCK |
| 6.. | 539 991034.... | 2 | SCREW #10-24 x 5/8 WSH HD |
| 7.. | 539 113792.... | 1 | SWITCH, BRAKE |

| ITEM | PART NO. | QTY. | DESCRIPTION |
|-----------|----------------|--------|--------------------------|
| 8.. | 539 990316.... | 2 | BOLT, 5/16-18 x 3/4 |
| 9.. | 539 112899.... | 2 | NUT 5/16-18 FLANGE NYLOC |
| NOT SHOWN | | | |
| | 539 104974 ... | 1 | POSITIVE CABLE |
| | 539 107645 ... | 1 | NEGATIVE CABLE |
| | 575 320901 ... | 1 | MAIN HARNESS |
| | 539 976856 ... | 3 | WIRE TIE |

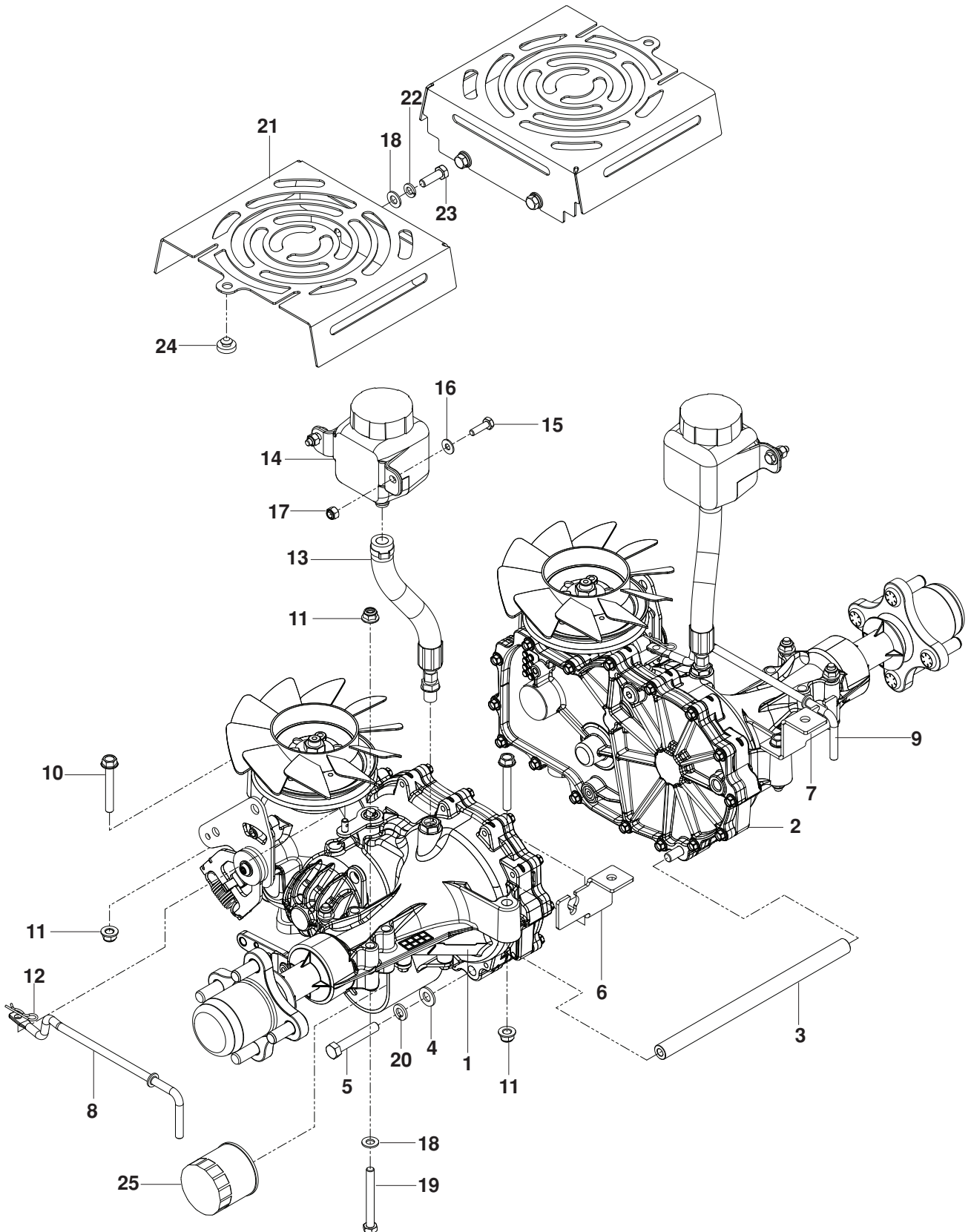
PARKING BRAKE



PARKING BRAKE

| ITEM | PART NO. | QTY. | DESCRIPTION | ITEM | PART NO. | QTY. | DESCRIPTION |
|------|----------------|------|---------------------------------------|------|----------------|------|---|
| 1.. | 539 115617.... | 2 | NUT $\frac{5}{16}$ HEX NYLOC | 21.. | 539 990585.... | 3 | NUT $\frac{5}{16}$ -18 HEX WHIZLK |
| 2.. | 539 110303.... | 2 | BOLT $\frac{5}{16}$ SHOLDER | 22.. | 539 132423.... | 1 | LEVER, BRAKE |
| 3.. | 575 230201.... | 2 | SPRING, RETURN | 23.. | 539 132153.... | 1 | BELLCRANK, BRAKE |
| 4.. | 575 229602.... | 1 | BRACKET, RT | 24.. | 539 108396.... | 1 | BOLT, HEX $\frac{5}{16}$ -18 x $2\frac{1}{2}$ TPBLT |
| 5.. | 575 229702.... | 1 | BRACKET, LT | 25.. | 539 990717.... | 1 | NUT $\frac{5}{16}$ -18 HEX NYLOC |
| 6.. | 539 104763.... | 3 | RETAINER, U TYPE $\frac{5}{16}$ -18 | 26.. | 539 990209.... | 1 | BOLT, HEX $\frac{5}{16}$ -18 x 1 |
| 7.. | 575 230301.... | 2 | SPRING, ENGAGEMENT | 27.. | 539 990316.... | 1 | RHSNB $\frac{5}{16}$ -18 x $\frac{3}{4}$ |
| 8.. | 539 132173.... | 1 | CABLE, BRAKE, SHORT | 28.. | 539 132424.... | 1 | LINKAGE, BRAKE |
| 9.. | 539 132174.... | 2 | CABLE, BRAKE, LONG | 29.. | 539 105036.... | 1 | GRIP, BRAKE HANDLE |
| 10.. | 539 112899.... | 2 | NUT $\frac{5}{16}$ -18 FLANGE NYLOC | 30.. | 575 229802.... | 2 | BRACKET, BRAKE |
| 11.. | 539 133007.... | 2 | WASHER .825 WAVE | 31.. | 539 131780.... | 1 | HHFS $\frac{5}{16}$ -18 x $3\frac{3}{4}$ |
| 12.. | 539 990645.... | 2 | RHSNB $\frac{3}{8}$ -16 x 1 | 32.. | 539 109554.... | 1 | WASHER $\frac{1}{2}$ FLAT |
| 13.. | 521 996501.... | 2 | NUT $\frac{3}{8}$ -16 HEX FLG NYLOC | 33.. | 505 280001.... | 2 | TIE, w/ CLIP |
| 14.. | 539 200282.... | 2 | NUT $\frac{3}{8}$ -16 HEX JAM NYLOC | 34.. | 539 976978.... | 4 | NUT $\frac{1}{4}$ -20 HEX NYLOC |
| 15.. | 539 990643.... | 4 | HCS $\frac{1}{4}$ -20 x $\frac{7}{8}$ | 35.. | 539 990055.... | 4 | WASHER $\frac{1}{4}$ FLAT SAE |
| 16.. | 539 990563.... | 2 | BOLT, HEX $\frac{3}{8}$ -16 x 1 | 36.. | 539 990585.... | 2 | NUT $\frac{5}{16}$ -18, WHIZLK |
| 17.. | 539 132151.... | 1 | ARM, BRAKE | 37.. | 539 107897.... | 2 | NUT $\frac{5}{16}$ -18, JAM |
| 18.. | 539 132158.... | 1 | MOUNT, BRAKE | 38.. | 539 107475.... | 1 | BOLT $\frac{5}{16}$ -18 x $\frac{3}{4}$, THD FORM |
| 19.. | 539 132161.... | 4 | BUSHING, BRAKE | 39.. | 539 990122.... | 2 | WASHER $\frac{3}{8}$ SAE |
| 20.. | 539 132154.... | 1 | ACTUATOR, SWITCH | | | | |

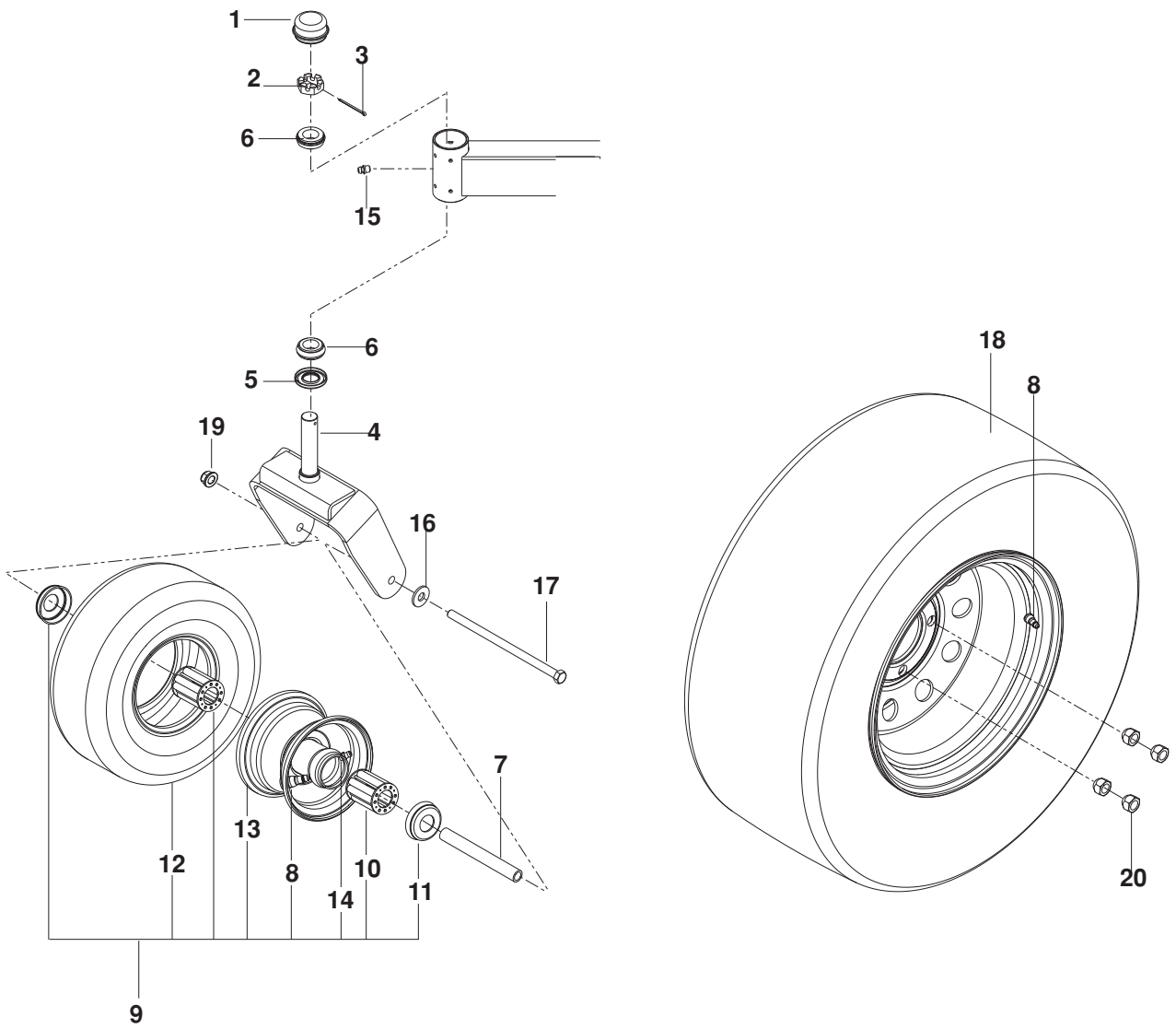
HYDRAULIC PUMP-MOTOR



HYDRAULIC PUMP-MOTOR

| ITEM | PART NO. | QTY. | DESCRIPTION | ITEM | PART NO. | QTY. | DESCRIPTION |
|------|----------------|------|--------------------------------|------|----------------|------|---------------------------|
| 1.. | 574 569101.... | 1 | TRANS, ZT-3400, LT | 14.. | 574 811301.... | 2 | TANK, EXPANSION |
| 2.. | 574 569102.... | 1 | TRANS, ZT-3400, RT | 15.. | 539 990643.... | 4 | HCS ¼-20 x 7/8 |
| 3.. | 574 868501.... | 1 | TUBE, SPACER, 3400 | 16.. | 539 990055.... | 4 | WASHER ¼ FLAT SAE |
| 4.. | 539 990122.... | 2 | WASHER, 3/8 SAE FLT | 17.. | 539 976978.... | 4 | NUT ¼-20 HEX NYLOC |
| 5.. | 539 108551.... | 2 | HCS 3/8-16 x 2½ GR8 | 18.. | 539 990188.... | 8 | WASHER 5/16 SAE FLAT |
| 6.. | 575 017102.... | 1 | BRACKET, TRANS, LT | 19.. | 539 101721.... | 4 | HCS 5/16-18 x 2¾ |
| 7.. | 575 017002.... | 1 | BRACKET, TRANS, RT | 20.. | 539 990118.... | 2 | WASHER 3/8 SPLT LK |
| 8.. | 539 131616.... | 1 | LINKAGE, LEFT BYPASS | 21.. | 575 778202.... | 2 | COVER, FAN |
| 9.. | 539 131618.... | 1 | LINKAGE, RIGHT BYPASS | 22.. | 539 990187.... | 4 | WASHER 5/16 SLW |
| 10.. | 574 233801.... | 4 | HHFS 5/16-18 x 2¼ | 23.. | 539 990209.... | 4 | HCS 5/16-18 x 1 |
| 11.. | 539 112899.... | 8 | NUT 5/16-18 HEX FLG NYLOC | 24.. | 539 102587.... | 2 | BUMPER |
| 12.. | 539 976988.... | 2 | HAIRPIN COTTER | 25.. | 539 113466.... | 2 | FILTER, HYDRO |
| 13.. | 574 892101.... | 2 | HOSE, EXPANSION | | | | |

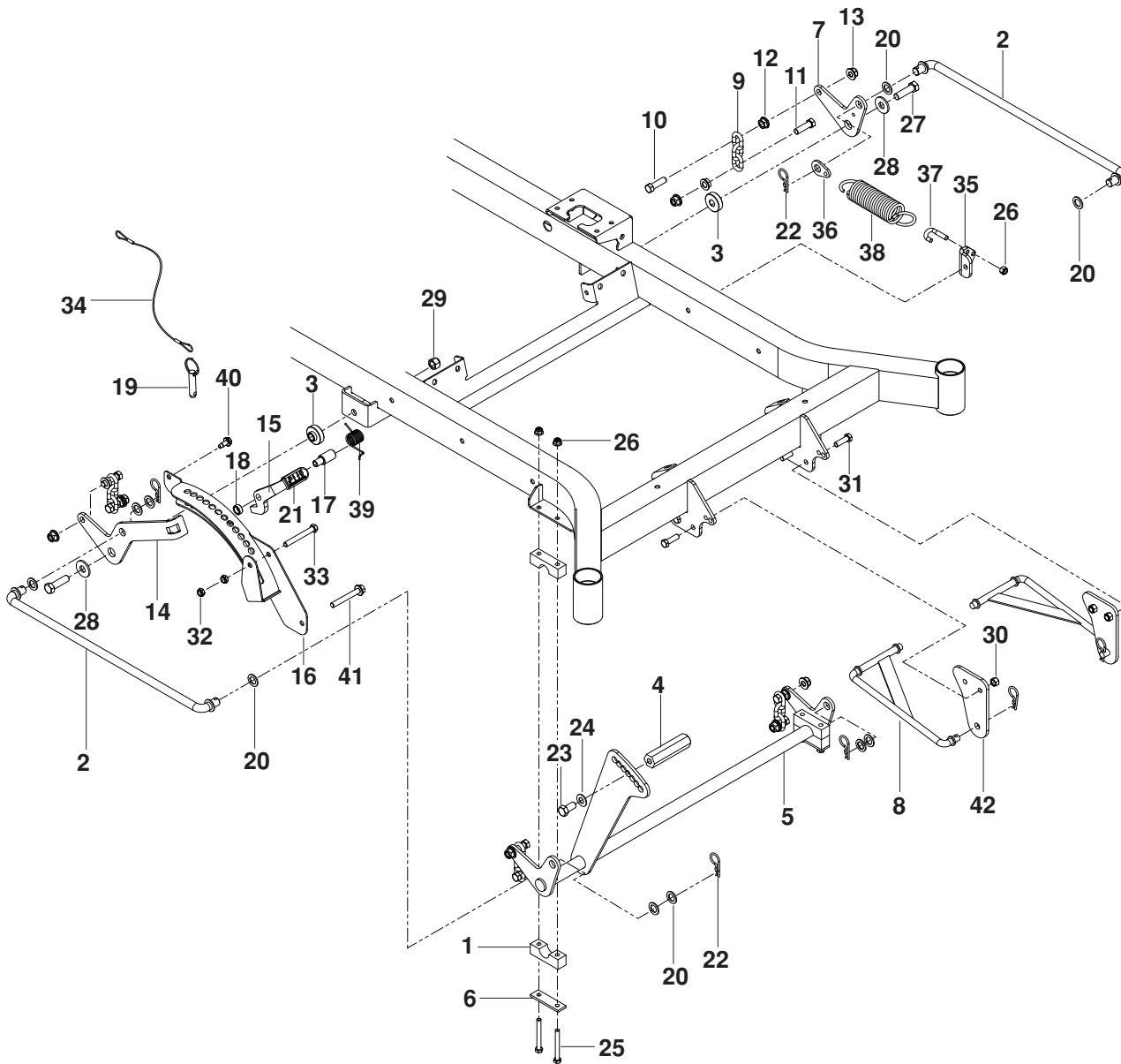
WHEELS



WHEELS

| ITEM | PART NO. | QTY. | DESCRIPTION | ITEM | PART NO. | QTY. | DESCRIPTION |
|------|-----------------|------|-----------------------|------|-----------------|------|--------------------------|
| 1.. | 539 102535....2 | | CAP, GREASE | 11.. | 539 102484....4 | | BEARING, FLANGED |
| 2.. | 539 102852....2 | | SLOTTED JAM NUT 1"-14 | 12.. | 539 102546....2 | | TIRE, 13 x 5-6 |
| 3.. | 539 102889....2 | | COTTER PIN 1/8 x 2 | 13.. | 539 104573....2 | | RIM, CASTER TIRE |
| 4.. | 539 104571....2 | | YOKE, CASTER, ORG | 14.. | 539 976977....2 | | ZERK |
| 5.. | 539 102851....2 | | SEAL | 15.. | 539 101474....2 | | ZERK |
| 6.. | 539 102543....4 | | BEARING | 16.. | 539 109554....2 | | WASHER 1/2 FLAT |
| 7.. | 539 102856....2 | | SPACER, PIVOT | 17.. | 539 102855....2 | | HCS 1/2-13 x 7 1/2 |
| 8.. | 539 912234....2 | | AIR VALVE | 18.. | 516 056501....2 | | WHEEL ASSY, 22 x 9.5-12 |
| 9.. | 539 104572....2 | | WHEEL ASSY 13 x 6.5 | 19.. | 521 991101 ...2 | | NUT 1/2-13 HEX FLG NYLOC |
| 10.. | 539 102485....4 | | BEARING 2 1/2 CAGE | 20.. | 539 101173....8 | | NUT 1/2-20 LUG |

MOWER LIFT / DECK LIFT



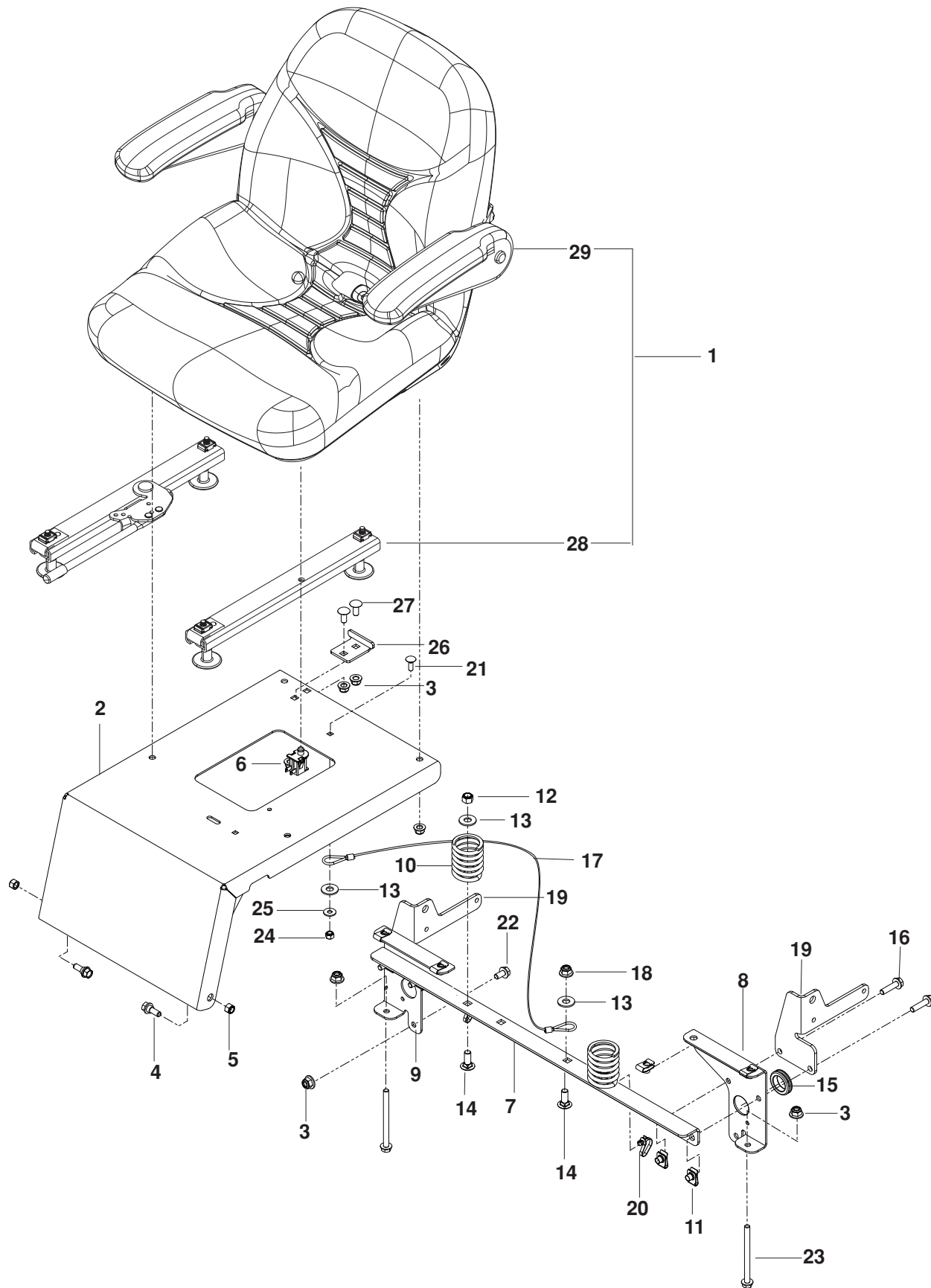
MOWER LIFT / DECK LIFT

| ITEM | PART NO. | QTY. | DESCRIPTION | ITEM | PART NO. | QTY. | DESCRIPTION |
|------|-----------------|------|---|------|-----------------|------|---|
| 1.. | 539 104808....4 | | PILLOW BLOCK | 22.. | 539 115501....6 | | PIN, COTTER 1 ³ / ₄ |
| 2.. | 539 110808....2 | | DECK LIFT LINK | 23.. | 539 990646....1 | | BOLT, HEX 1/2-13 x 1 ³ / ₄ |
| 3.. | 539 118937....2 | | SPACER, IDLER | 24.. | 539 102843....1 | | WASHER 7/16" SPRING |
| 4.. | 539 131556....1 | | PEDAL, FOOT, HEX | 25.. | 539 101721....4 | | BOLT, HEX 5/16-18 x 2 ³ / ₄ |
| 5.. | 539 131509....1 | | SHAFT, FRONT-LIFT | 26.. | 539 112899....5 | | NUT 5/16-18 FLANGE NYLOC |
| 6.. | 539 104807....2 | | REINFORCEMENT BAR | 27.. | 539 108181....2 | | BOLT, HEX 1/2-13 x 1 ³ / ₄ GR 8 |
| 7.. | 539 131897....1 | | BELLCRANK, RR, LIFT | 28.. | 539 109554....2 | | WASHER 1/2 FLAT |
| 8.. | 539 112223....2 | | STRUT LINKAGE | 29.. | 539 101331....2 | | NUT 1/2 HEX NYLOC |
| 9.. | 539 109693....4 | | LIFT CHAIN-3 LINK | 30.. | 539 976979....4 | | NUT 3/8-16 HEX NYLOC |
| 10.. | 539 101175....4 | | BOLT, HEX 7/16-14 x 1 ¹ / ₂ | 31.. | 539 976941....4 | | BOLT, HEX 5/16-18 x 1 THD FM |
| 11.. | 539 108073....4 | | BOLT, HEX 7/16-14 x 1 ³ / ₄ | 32.. | 539 200282....2 | | NUT 3/8-16 HEX JAM NYLOC |
| 12.. | 539 102582....8 | | NUT 7/16-14 HEX WHIZ LK | 33.. | 539 101341....1 | | BOLT, HEX 3/8-16 x 3 |
| 13.. | 539 132019....8 | | NUT 7/16-14 HEX WHIZ LK | 34.. | 539 105059....1 | | LANYARD |
| 14.. | 539 131853....1 | | BELLCRANK, RR, RT | 35.. | 539 131791....1 | | MOUNT, SPRING |
| 15.. | 539 131566....1 | | LATCH, TRANSPORT | 36.. | 539 131792....1 | | TAB, SPRING |
| 16.. | 539 131850....1 | | HEIGHT, ADJUST, DECK | 37.. | 539 112896....1 | | J-BOLT |
| 17.. | 539 131860....1 | | PIVOT, LATCH, TRANSPORT | 38.. | 539 102642....1 | | SPRING |
| 18.. | 539 131861....1 | | SPACER | 39.. | 539 132734....1 | | SPRING, TORSION |
| 19.. | 539 132182....1 | | PIN 1/2 x 1 ¹ / ₂ DETENT RING | 40.. | 539 107475....1 | | BOLT 5/16-18 x 3/4 THD FRM |
| 20.. | 539 991043..10 | | BUSHING .625 | 41.. | 539 131781....1 | | SCREW, HX FLG 3/8-16 x 2 ³ / ₄ |
| 21.. | 539 132851....1 | | GRIP | 42.. | 539 132017....2 | | MOUNT, STRUT |

MOWER DECK / CUTTING DECK

| ITEM | PART NO. | QTY. | DESCRIPTION | ITEM | PART NO. | QTY. | DESCRIPTION |
|------|----------------|------|-------------------------------|------|----------------|------|---------------------------------|
| 1.. | 577 200203.... | 1 | DECK w/ SFTY DECALS ORG | 28.. | 539 107631.... | 4 | SCREW ¼ -20 x 5/16 THDROLL |
| 2.. | 539 112057.... | 3 | MANDREL ASSY | 29.. | 539 990588.... | 3 | HCS 3/8-16 x 2 |
| 3.. | 532 187256.... | 3 | BLADE, 54" | 30.. | 539 107608.... | 2 | BOLT, SHOULDER |
| 4.. | 539 112171.... | 3 | PULLEY | 31.. | 539 990717.. | 12 | NUT 5/16-18 HEX NYLOC |
| 5.. | 539 107520.... | 3 | WASHER, SPACER | 32.. | 539 976979.... | 7 | NUT 3/8-16 HEX NYLOC |
| 6.. | 539 107610.... | 2 | WHEEL | 33.. | 539 990613.... | 1 | NUT 3/8-16 HEX WHIZLK |
| 7.. | 539 112054.... | 1 | DEFLECTOR | 34.. | 539 106504.... | 2 | WASHER, HEAVY |
| 8.. | 539 107590.... | 3 | NUT 9/16 TOP CENTER LOCK | 35.. | 539 110462.... | 1 | ROD, HINGE |
| 9.. | 539 107630.. | 12 | SCREW, WASHER HEAD | 36.. | 539 107627.... | 1 | CAP, SLEEVE |
| 10.. | 532 193003.... | 3 | BOLT, WASHER ASSY | 37.. | 539 990563.... | 2 | HCS 3/8-16 x 1 |
| 11.. | 539 112059.... | 1 | BAFFLE, RT | 38.. | 539 990196.... | 2 | NUT 5/16-18 HEX |
| 12.. | 539 112062.... | 1 | BAFFLE, CNTR | 39.. | 539 131857.... | 2 | PITCH, ADJUST, RT |
| 13.. | 539 112060.... | 1 | BAFFLE, LT | 40.. | 539 131858.... | 2 | PITCH, ADJUST, LT |
| 14.. | 532 188187.... | 1 | COVER, MANDREL RT | 41.. | 539 131859.... | 2 | TRUNION, PITCH |
| 15.. | 532 187297.... | 1 | COVER, MANDREL LT | 42.. | 539 108396.... | 2 | HCS 5/16-18 x 2½ TPBLT |
| 16.. | 539 112076.... | 2 | BUSHING, IDLER | 43.. | 532 415598.... | 1 | PORT, WASHOUT |
| 17.. | 539 107609.... | 1 | SPRING, TORSION | 44.. | 539 108461.... | 1 | BOLT ¼-20 x ½ HWST |
| 18.. | 532 176066.... | 1 | ROLLER, NOSE | 45.. | 577 503601.... | 1 | BELT |
| 19.. | 539 107613.... | 1 | ROD, ROLLER | 46.. | 539 112050.... | 1 | BEARING, BALL |
| 20.. | 539 990365.... | 1 | PIN, COTTER 1/8 x 3/4 | 47.. | 539 990582.... | 1 | HCS 3/8-16 x 1 WHIZLK |
| 21.. | 539 132728.... | 3 | PULLEY, IDLER | 48.. | 539 103427.... | 1 | BUSHING, PIVOT |
| 22.. | 539 112198.... | 1 | ARM, IDLER | 49.. | 539 102243.... | 1 | WASHER, SUPPORT |
| 23.. | 539 107626.... | 1 | PUSHNUT | 50.. | 539 103433.... | 1 | HCS ½-13 x 3¼ |
| 24.. | 539 103256.... | 1 | SPRING | 51.. | 539 990550.... | 1 | WASHER ½ STD FLT |
| 25.. | 539 990517.... | 7 | WASHER 3/8 FLAT STD | 52.. | 539 101331.... | 1 | NUT ½ HEX NYLOC |
| 26.. | 539 100472.... | 7 | RHSNB 5/16-18 x 1¼ | 53.. | 539 976998.... | 1 | ZERK |
| 27.. | 539 990799.... | 5 | RHSNB 5/16-18 x 5/8 | 54.. | 539 112056.... | 1 | SHAFT, MANDREL |

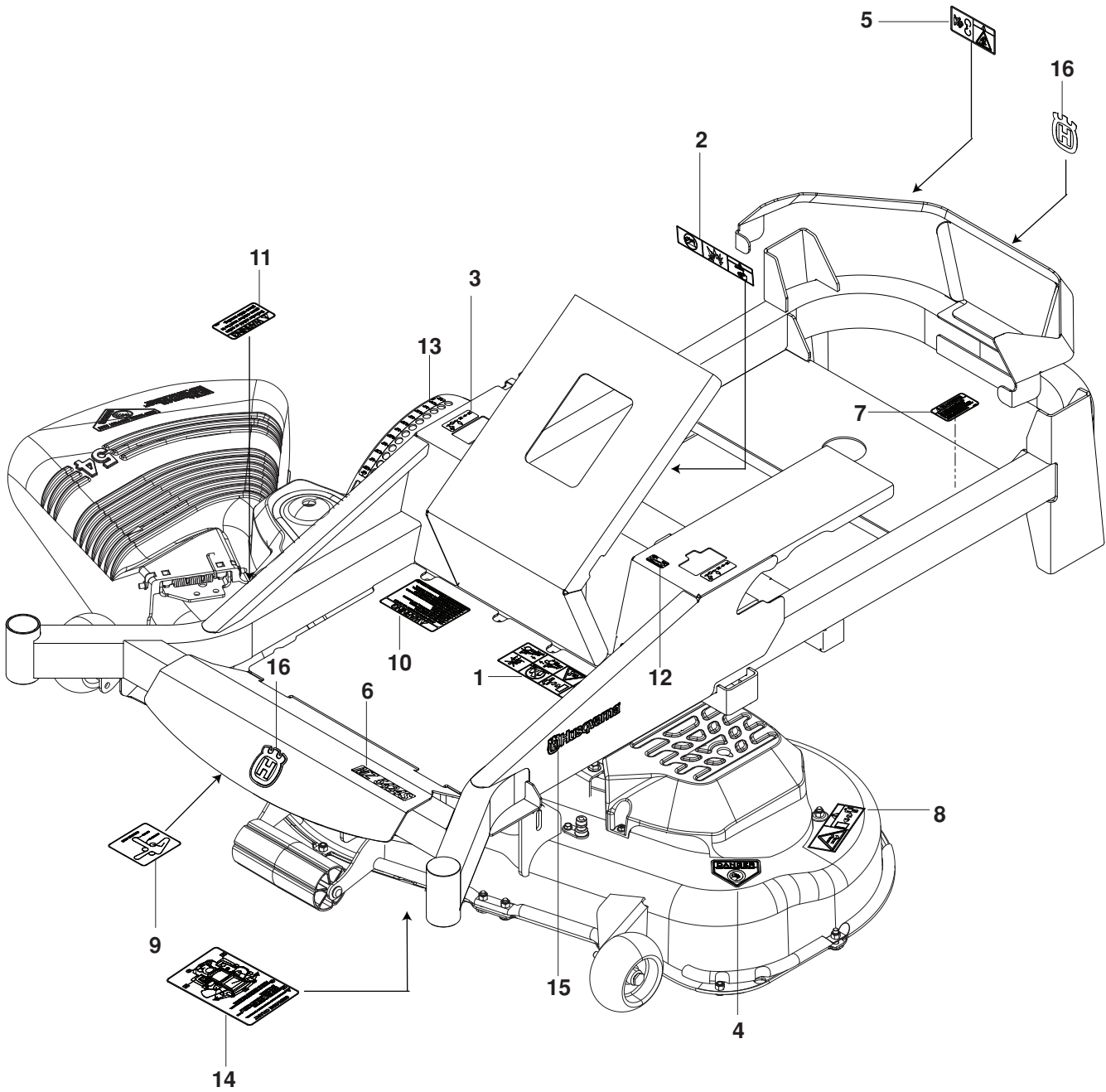
SEAT



SEAT

| ITEM | PART NO. | QTY. | DESCRIPTION | ITEM | PART NO. | QTY. | DESCRIPTION |
|------|----------------|------|--|------|----------------|------|--|
| 1.. | 539 130873.... | 1 | SEAT ASSY | 16.. | 525 544001.... | 4 | HHFS $\frac{5}{16}$ -18 x $1\frac{1}{4}$ TPBLT |
| 2.. | 575 608601.... | 1 | MOUNT, SEAT w/ DECAL | 17.. | 539 103247.... | 1 | LANYARD, SEAT |
| 3.. | 539 112899.. | 10 | NUT $\frac{5}{16}$ -18 FLANGE NYLOC | 18.. | 521 996501.... | 1 | NUT $\frac{3}{8}$ -16 FLG HEX NYLOC |
| 4.. | 539 130896.... | 2 | BOLT $\frac{5}{16}$ -18 HEX HD | 19.. | 575 017402.... | 2 | MOUNT, SEAT BELT |
| 5.. | 539 990717.... | 2 | NUT $\frac{5}{16}$ -18 HEX NYLOC | 20.. | 505 280001.... | 2 | TIE WRAP w/ CLIP |
| 6.. | 539 119741.... | 1 | SWITCH, SEAT | 21.. | 539 990074.... | 1 | RHSNB $\frac{1}{4}$ -40 x $\frac{3}{4}$ |
| 7.. | 539 131656.... | 1 | SUPPORT, SEAT | 22.. | 525 464701.... | 2 | HHFS $\frac{5}{16}$ -18 x $\frac{3}{4}$ |
| 8.. | 575 224102.... | 1 | SUPPORT, LT | 23.. | 539 131780.... | 2 | SCREW, HX FLG $\frac{5}{16}$ -18 x $3\frac{3}{4}$ |
| 9.. | 575 224002.... | 1 | SUPPORT, RT | 24.. | 539 976978.... | 1 | NUT $\frac{1}{4}$ -20 HEX NYLOC |
| 10.. | 539 110300.... | 2 | SPRING, SEAT | 25.. | 539 990598.... | 1 | WASHER $\frac{1}{4}$ FLAT |
| 11.. | 539 104763.... | 8 | RETAINER, U TYPE $\frac{5}{16}$ -18 | 26.. | 539 130793.... | 1 | DECK STOP |
| 12.. | 539 976979.... | 2 | NUT $\frac{3}{8}$ -16 HEX NYLOC | 27.. | 539 109100.... | 2 | RHSNB $\frac{5}{16}$ -18 x $\frac{3}{4}$ |
| 13.. | 539 990517.... | 4 | WASHER $\frac{3}{8}$ FLAT STD | 28.. | 539 112037.... | 1 | RAIL SET, SEAT |
| 14.. | 539 990645.... | 3 | RHSNB $\frac{3}{8}$ -16 x 1 | 29.. | 539 112036.... | 1 | ARM REST, LT |
| 15.. | 539 105974.... | 1 | GROMMET RUBBER | | 539 112035.... | 1 | ARM REST, RT |

DECALS



DECALS

| ITEM | PART NO. | QTY. | DESCRIPTION | ITEM | PART NO. | QTY. | DESCRIPTION |
|------|------------|-------|----------------------------|------|------------|------|-------------------------|
| 1.. | 539 107959 | ...1 | ...DECAL, WARNING | 9.. | 539 112620 | ...1 | ...DECAL, BELT ROUTING |
| 2.. | 539 105745 | ...1 | ...DECAL, BATTERY WARNING | 10.. | 539 113213 | ...1 | ...DECAL, WARNING |
| 3.. | 539 103333 | ...2 | ...DECAL, MOTION CONTROL | 11.. | 539 113224 | ...1 | ...DECAL, WARNING |
| 4.. | 539 913010 | ...1 | ...DECAL, BLADE WARNING | 12.. | 539 110974 | ...2 | ...DECAL, F.S.T |
| 5.. | 539 105744 | ...1 | ...DECAL, DANGER BLT DRIVE | 13.. | 539 132039 | ...1 | ...DECAL, HEIGHT ADJUST |
| 6.. | 521 988005 |1 |DECAL, MZ5424S | 14.. | 539 132187 | ...1 | ...DECAL, SERVICE |
| 7.. | 539 101881 | ...1 | ...DECAL, EXHAUST WARN | 15.. | 532 429196 | ...2 |DECAL, HUSQVARNA |
| 8.. | 539 105746 | ...1 | ...DECAL, SEVERING | 16.. | 532 428676 | ...2 |DECAL, CROWN H |