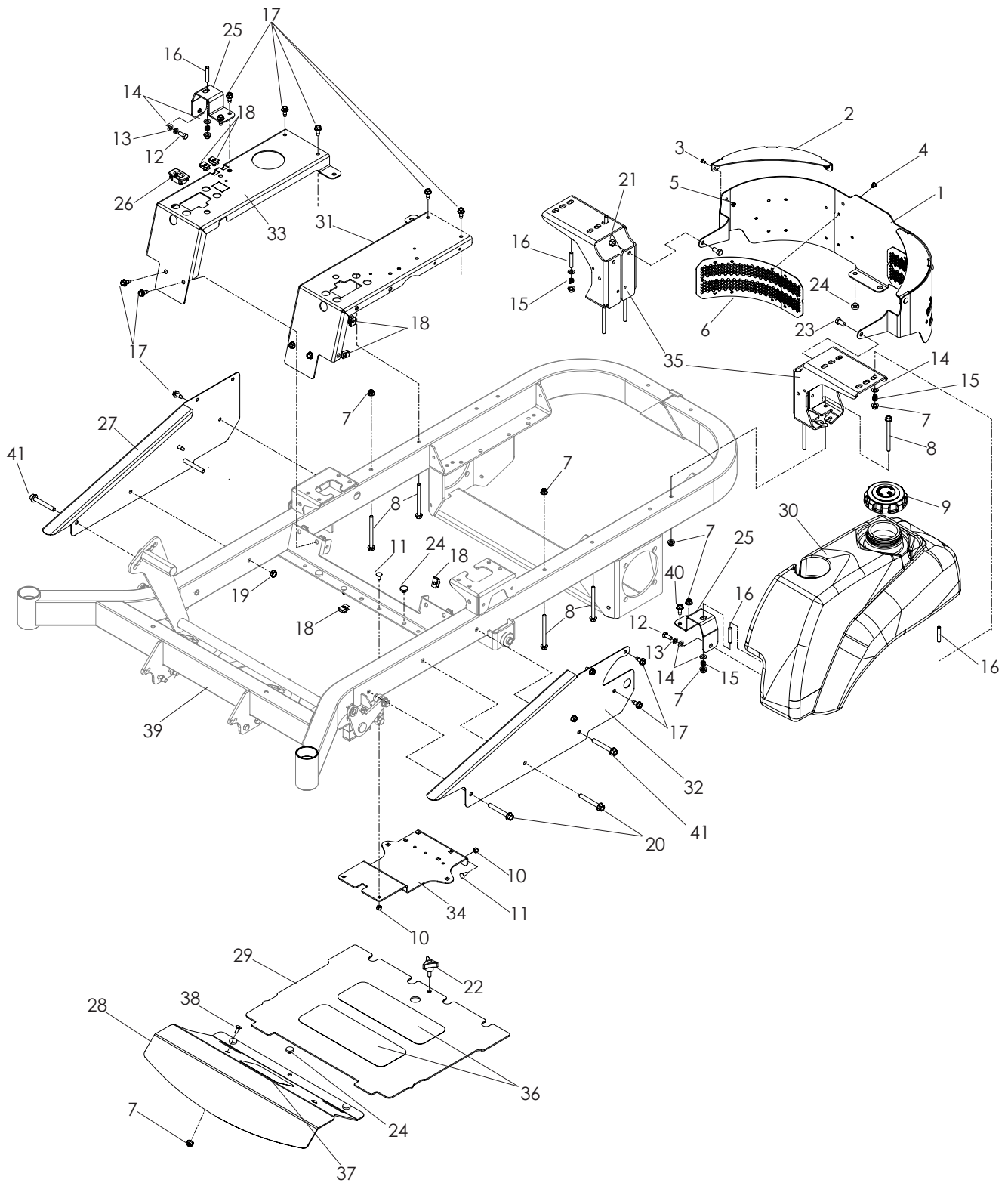


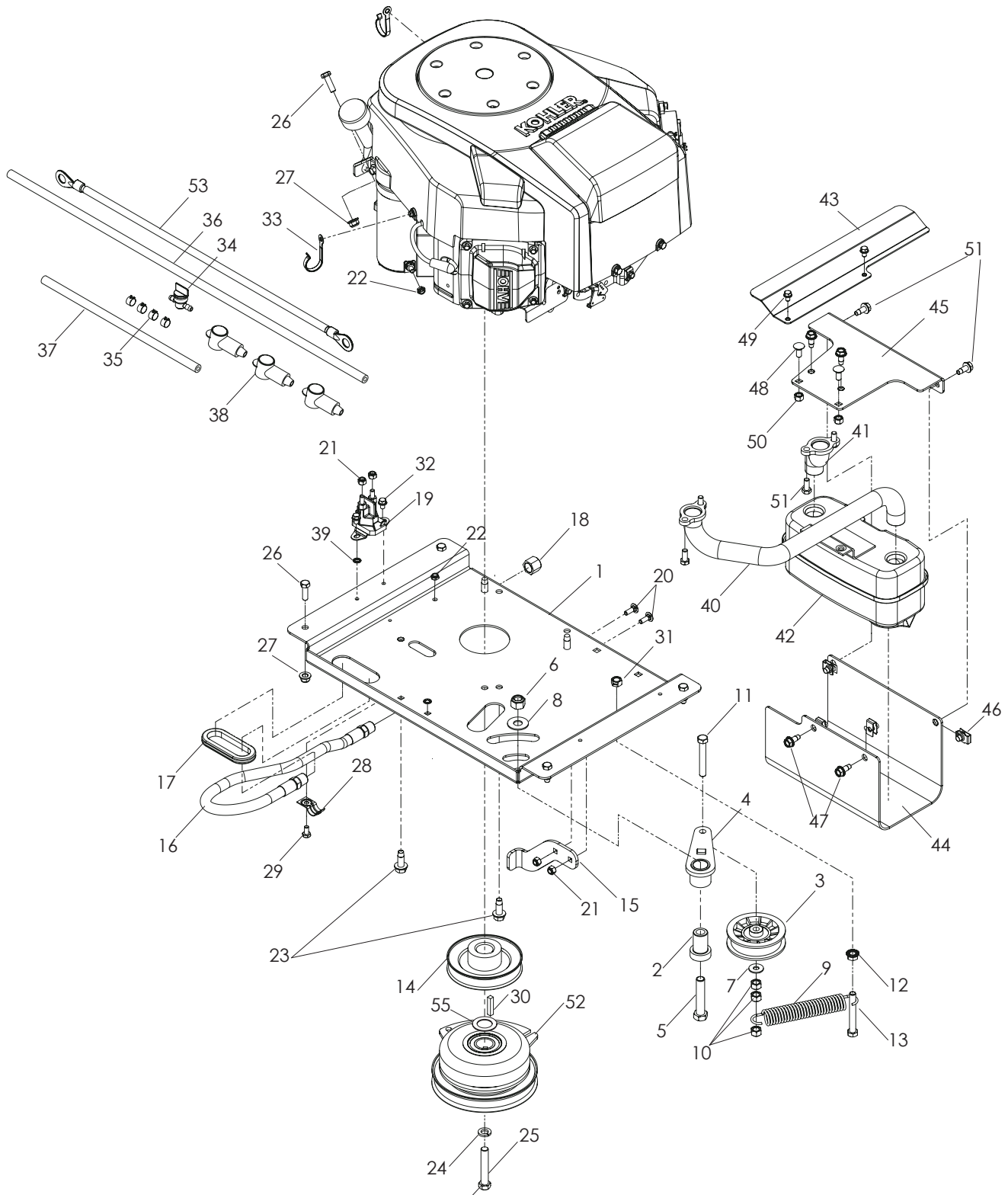
CHASSIS / FRAME



CHASSIS / FRAME

ITEM	PART NO.	QTY.	DESCRIPTION	ITEM	PART NO.	QTY.	DESCRIPTION
1..	539 131594....	1	GUARD, REAR	22..	539 104411....	1	KNOB W/STUD
2..	539 131751....	2	SUPPORT, TOP	23..	539 990134....	2	HCS $\frac{3}{8}$ -16 x $\frac{3}{4}$
3..	539 111777....	6	RHSSNB $\frac{1}{4}$ -20 x $\frac{1}{2}$	24..	539 102587....	7	GROMMET, BUMPER
4..	539 200684..	12	RIVET, $\frac{3}{16}$ STAVEX	25..	539 131671....	2	SUPPORT, TANK
5..	539 108120....	6	NUT $\frac{1}{4}$ -20 HEX THIN NYLOC	26..	539 110074....	1	HOUR METER
6..	539 131753....	2	PANEL, HEX, RR	27..	539 131579....	1	SIDE, RT
7..	539 112899..	15	NUT $\frac{5}{16}$ -18 FLANGE NYLOC	28..	539 132380....	1	PLATE, FOOTREST
8..	539 131780....	8	HHFS $\frac{5}{16}$ -18 x $3\frac{3}{4}$	29..	539 132744....	1	PLATE, FLOOR W/DECALS
9..	539 106188....	1	FUEL CAP	30..	539 104409....	1	FUEL TANK, LEFT
10..	539 976978....	4	NUT $\frac{1}{4}$ -20 HEX NYLOC	31..	539 131589....	1	PANEL, FILLER, LT
11..	539 111786....	4	RHSSNB $\frac{1}{4}$ -20 x $\frac{5}{8}$	32..	539 131577....	1	SIDE, LT
12..	539 976934....	2	HCS $\frac{5}{16}$ -18 x $\frac{3}{4}$	33..	539 131591....	1	PANEL, FILLER, RT
13..	539 990187....	2	WASHER $\frac{5}{16}$ SLW	34..	539 131537....	1	MOUNT, BATTERY
14..	539 990188....	9	WASHER $\frac{5}{16}$ SAE FLAT	35..	539 131692....	2	MOUNT, TANK, RR
15..	539 102845....	6	SPRING, TANK MOUNT	36..	539 977778....	2	ABRASIVE PAD
16..	539 102502....	6	STUD $\frac{5}{16}$ C	37..	539 121322....	2	FOOT PAD
17..	539 107475..	16	BOLT $\frac{5}{16}$ -18 x $\frac{3}{4}$ THD FRM	38..	539 990208....	3	RHSNB $\frac{5}{16}$ -18 x 1
18..	539 104763..	12	RETAINER, U TYPE	39..	539 132743....	1	FRAME W/DECALS 52", 61"
19..	539 200282....	6	NUT $\frac{3}{8}$ -16 HEX JAM NYLOC		539 132749....	1	FRAME W/DECALS 72"
20..	539 131781....	2	HHFS $\frac{3}{8}$ -16 x $2\frac{3}{4}$	40..	539 113226....	1	BOLT $\frac{5}{16}$ -18 x 1 THD FRM
21..	539 976979....	2	NUT $\frac{3}{8}$ -16 HEX NYLOC	41..	539 133006....	4	HHFS $\frac{3}{8}$ -16 x $2\frac{1}{2}$

ENGINE PLATE



Torque to 50 ft/lbs

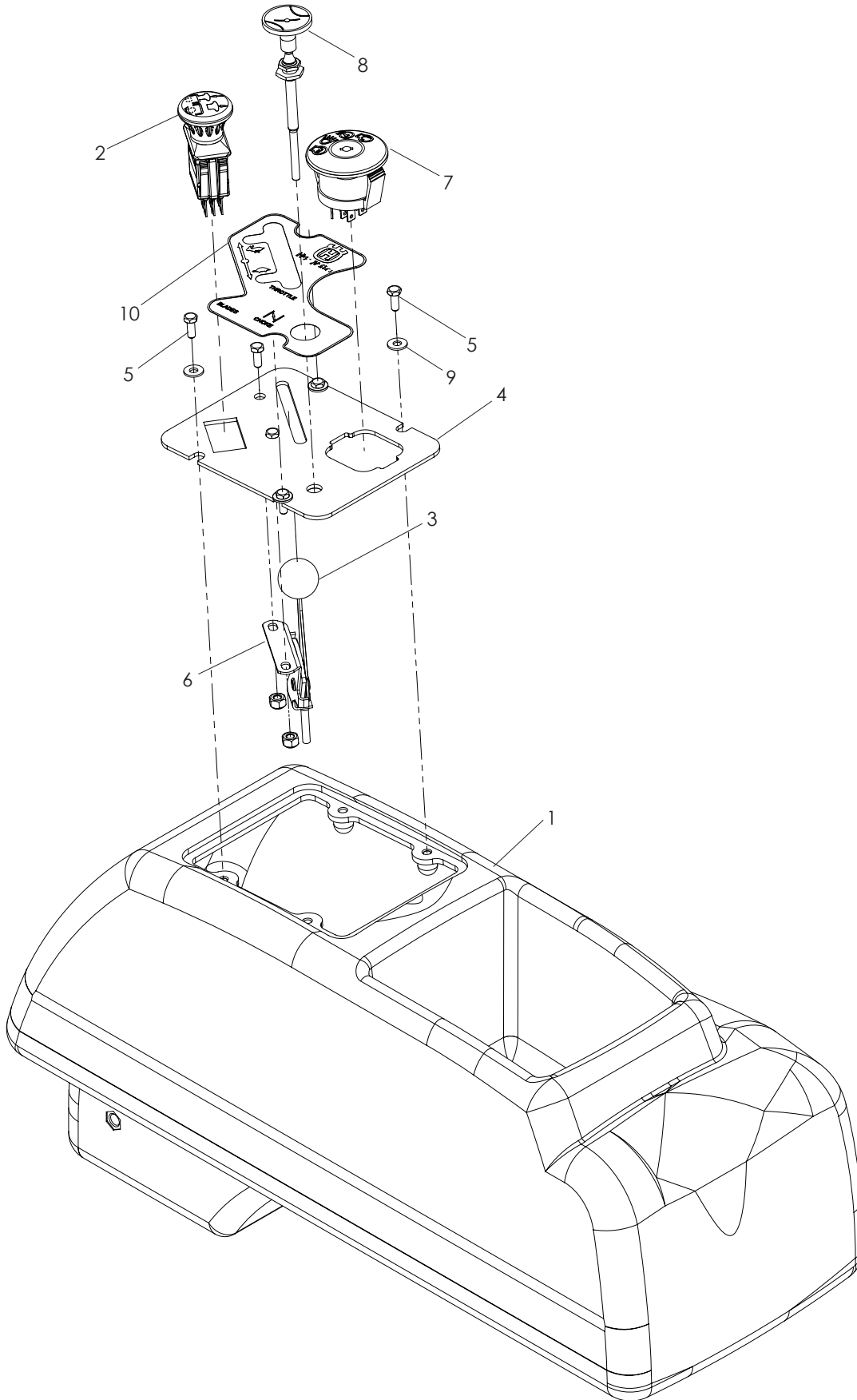
ENGINE PLATE

ITEM	PART NO.	QTY.	DESCRIPTION	ITEM	PART NO.	QTY.	DESCRIPTION
1..	539 131726....	1 PLATE, ENGINE	32..	539 990302....	2 SCREW ¼-20 x ¾ THD FRM
2..	539 101231....	1 IDLER SPINDLE	33..	539 107098....	2 CLAMP
3..	539 110311	1 IDLER PULLEY	34..	539 916325....	1 FUEL VALVE
4..	539 112092....	1 IDLER ARM WLDMT	35..	539 912222....	4 HOSE CLAMP
5..	539 108346....	1 HCS ½-13 x 2½	36..	539 105382....	1 FUEL LINE-30"
6..	539 101331....	1 NUT ½ HEX NYLOC	37..	539 108212....	1 FUEL LINE-13"
7..	539 990692....	1 WASHER, 5/16 STD FLT	38..	539 102759....	3 INSULATOR
8..	539 990550....	1 WASHER, ½ STD FLT	39..	539 990053....	1 WASHER ¼ INT TOOTH LK
9..	539 101977....	1 TRACTION SPRING	40..	539 131739....	1 MANIFOLD, FT
10..	539 976979....	3 NUT ¾-16 HEX NYLOC	41..	539 131740....	1 MANIFOLD, RR
11..	539 110122....	1 HCS ¾-16 x 2½ TPBLT	42..	539 131604....	1 MUFFLER ASM TWIN
12..	539 990613....	1 NUT ¾-16 HEX WHIZLK	43..	539 131758....	1 SHIELD, HEAT
13..	539 102612....	1 HCS ¾-16 x 2¾	44..	539 131769....	1 GUARD, MUFFLER
14..	539 109639....	1 PULLEY	45..	539 131771....	1 MOUNT, MUFFLER
15..	539 131728....	1 TIE DOWN, CLUTCH	46..	539 104763....	4 RETAINER, U TYPE
16..	539 131729....	1 DRAIN, OIL	47..	539 107475....	6 BOLT 5/16-18 x ¾ THD FRM
17..	539 107210....	1 GROMMET	48..	539 990316....	2 RHSNB 5/16-18 x ¾
18..	539 101364....	1 PLUG-OIL	49..	539 990302....	2 SCREW ¼-20 x ¾ THD FRM
19..	539 101714....	1 SOLENOID	50..	539 990717....	2 NUT 5/16-18 HEX NYLOC
20..	539 990074....	2 RHSNB ¼-20 x ¾ GR2 ZN	51..	539 976934....	4 HCS 5/16-18 x ¾
21..	539 976978....	6 NUT ¼-20 HEX NYLOC	52..	539 132732....	1 CLUTCH, MODELS: 968999717, 968999720, 968999748
22..	539 108120....	3 NUT ¼-20 HEX THIN NYLOC	53..	539 132733....	1 CLUTCH, MODELS: 968999718, 968999719, 968999721, 968999749, 968999780
23..	532 120616....	4 BOLT ¾-16 x 1 THD FRM	54..	539 132412....	1 CABLE, POSITIVE
24..	539 990247....	1 WASH 7/16 SLW	55..	539 115675....	1 WASHER, 1.025ID X 1.64OD
25..	539 991120	1 HCS 7/16-20 x 2½	NOT SHOWN			
26..	539 990209....	5 HCS 5/16-18 x 1	539 107516 ...	1 PIGTAIL	
27..	539 112899....	5 NUT 5/16-18 FLANGE NYLOC				
28..	539 101363....	2 CLAMP				
29..	539 990071....	2 HCS ¼-20 x ½				
30..	539 912757....	1 KEY ¼ SQ x 1¼				
31..	539 990546....	1 NUT ¾-16 HEX CNTRLK				

STEERING

ITEM	PART NO.	QTY.	DESCRIPTION	ITEM	PART NO.	QTY.	DESCRIPTION
1..	539 131546....	2	ARM, PUMP	22..	539 108394....	1	HCS ⁵ / ₁₆ -18 x 1 ³ / ₄ TPBLT
2..	539 990717....	4	NUT ⁵ / ₁₆ -18 HEX NYLOC	23..	539 108743....	4	NUT ⁵ / ₁₆ -24 CNTRLK
3..	539 131658....	2	DAMPENER W/SPRING	24..	539 131517....	1	BLOCK, UPPER
4..	539 110607....	2	STUD, 10MM BALL	25..	539 131519....	1	BLOCK, LOWER
5..	539 131749....	2	ROD END	26..	539 131518....	2	BEARING, FLANGE
6..	539 131559....	2	PIN, SPIRAL, ⁵ / ₃₂ x 1 ¹ / ₂	27..	539 131520....	1	PIVOT SECTION, DR CNTRL
7..	539 127046....	2	NUT M8 x 1.25 STD HEX	28..	539 131521....	1	MOUNT, DR CNTRL HANDLE
8..	539 112899..	18	NUT ⁵ / ₁₆ -18 FLANGE NYLOC	29..	539 990669....	1	HCS ⁵ / ₁₆ -18 x 1 ³ / ₄
9..	539 118496....	2	NUT M8 NYLOC	30..	539 990196....	2	NUT ⁵ / ₁₆ -18 HEX
10..	539 131780....	8	HHFS ⁵ / ₁₆ -18 x 3 ³ / ₄	31..	539 131550....	1	JACK SCREW
11..	539 976935....	4	HCS ⁵ / ₁₆ -18 x 1 ¹ / ₂	32..	539 110604....	1	SPHERICAL ROD END LH
12..	539 132163....	1	CONTROL WLDMT, LT	33..	539 110603....	1	SPHERICAL ROD END RH
13..	539 132164....	1	CONTROL WLDMT, RT	34..	539 991073....	1	NUT ⁵ / ₁₆ -24 HEX JAM LH
14..	539 132168....	2	BUSHING, FLANGED, ⁵ / ₈	35..	539 990223....	1	NUT ⁵ / ₁₆ -24 HEX
15..	539 132169....	2	BUSHING, CLIP, ⁵ / ₈	36..	539 131799....	1	KNOB
16..	539 990208....	4	RHSNB ⁵ / ₁₆ -18 x 1	37..	539 101224....	1	SPRING
17..	539 105069....	4	E-RING	38..	539 132009....	1	LEVER, DRIVE W/GRIP RT
18..	539 131551....	1	LINK, MOTION, LT		539 132010....	1	LEVER, DRIVE W/GRIP LT
19..	539 131552....	1	LINK, MOTION, RT	39..	539 130894....	2	GRIP, DRIVER LEVER
20..	539 990188....	5	WASHER ⁵ / ₁₆ SAE FLAT	40..	539 112899....	2	NUT, ⁵ / ₁₆ -18, FLANGE, NYLOC
21..	539 102845....	1	SPRING, TANK MOUNT	41..	539 133007....	2	WASHER, .825, WAVE

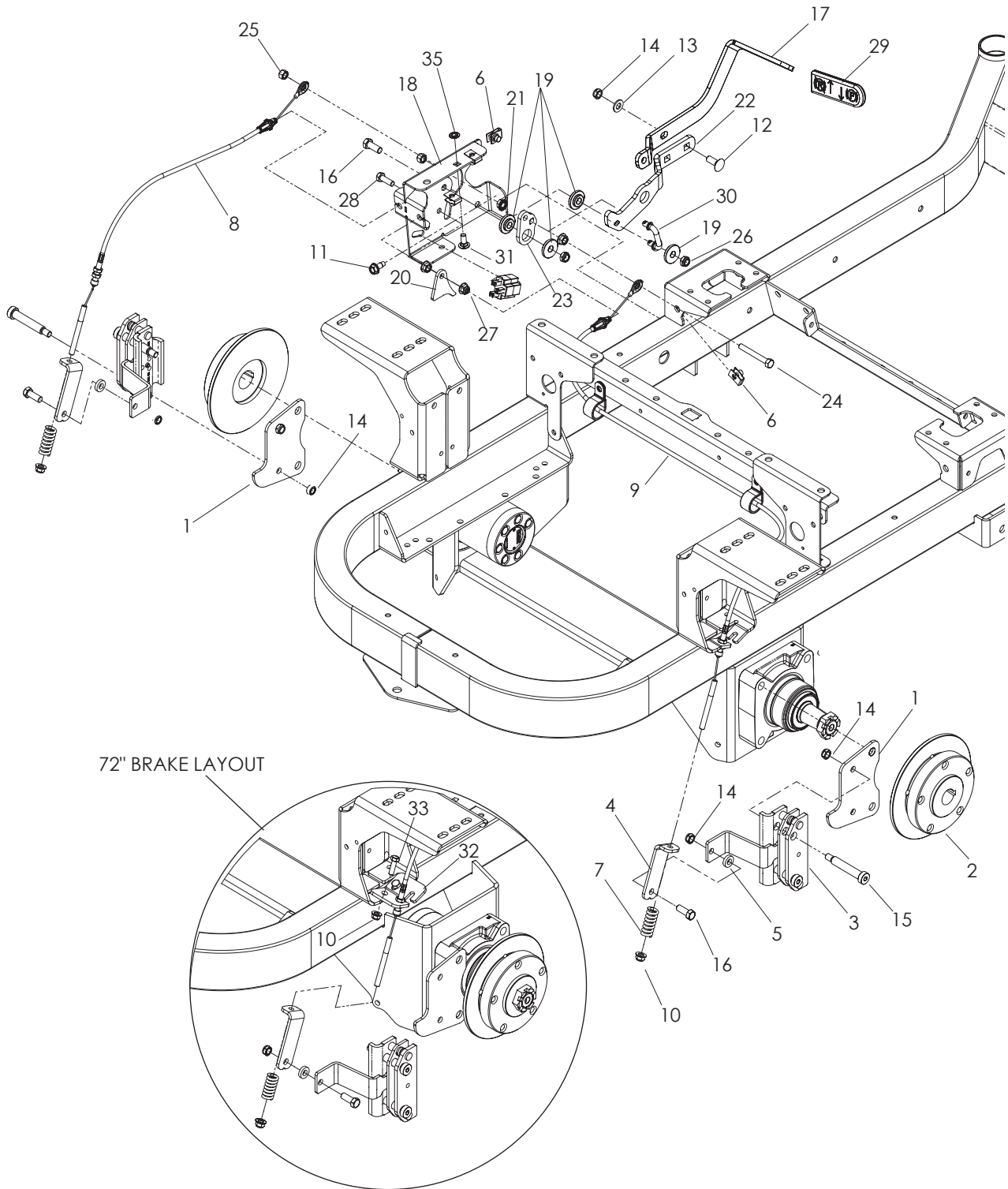
CONTROLS



CONTROLS

ITEM	PART NO.	QTY.	DESCRIPTION	ITEM	PART NO.	QTY.	DESCRIPTION
1..	539 107593....	1	CONSOLE	7..	539 107541....	1	IGNITION SWITCH
2..	539 131627....	1	SWITCH, PTO 10 AMP	8..	539 130209....	1	CONTROL, CHOKE
3..	539 112438....	1	THROTTLE CABLE	9..	539 105408....	4	WASHER #10 FLAT
4..	539 131721....	1	CONSOLE PLATE	10..	539 132723....	1	DECAL, CONSOLE
5..	539 990411	6	SCREW #10-24 x ½ SLT HEX	NOT SHOWN			
6..	539 976977....	2	NUT #10-24 HEX NYLOC		539 976856 ...	1	TIE, PLASTIC

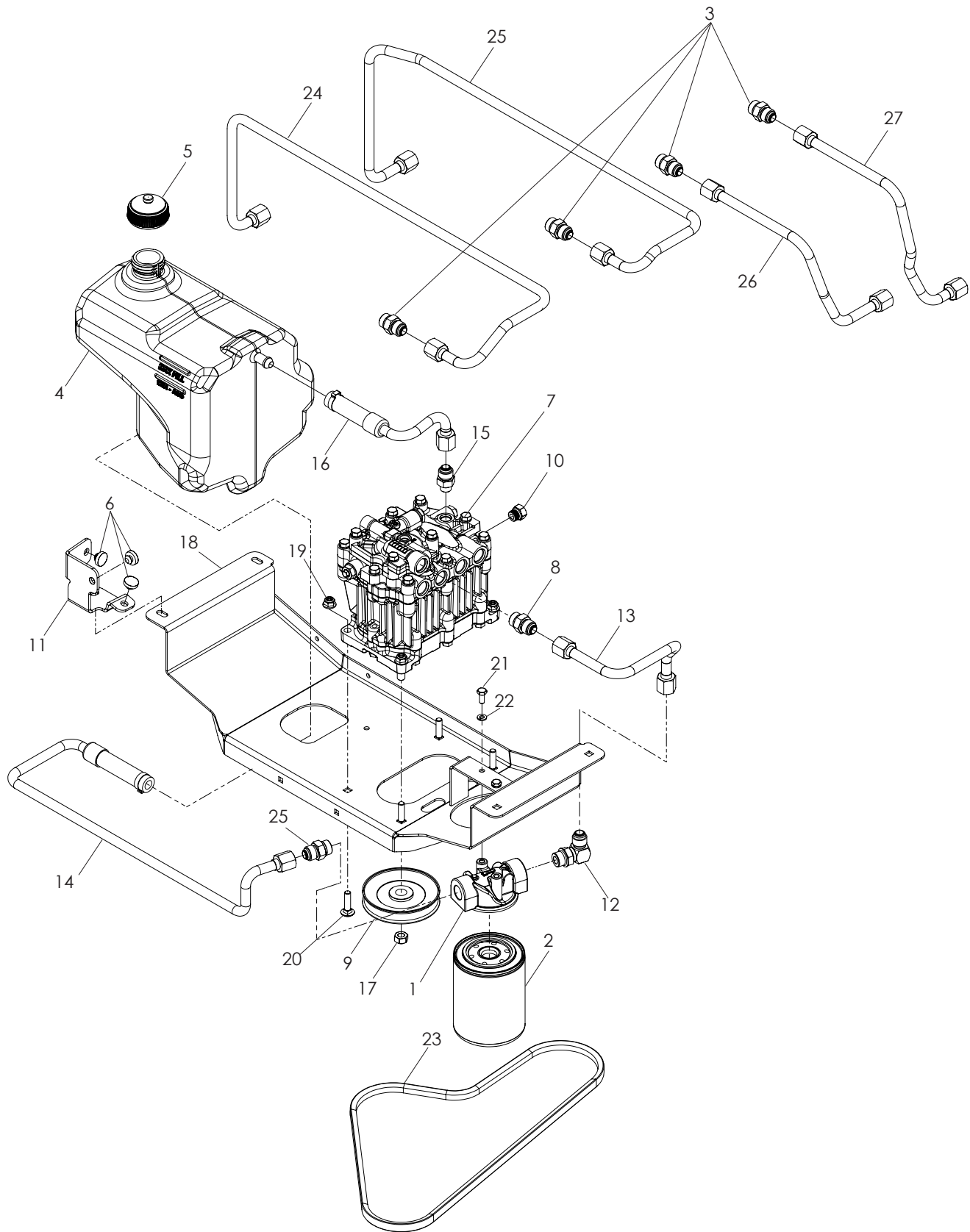
PARKING BRAKE



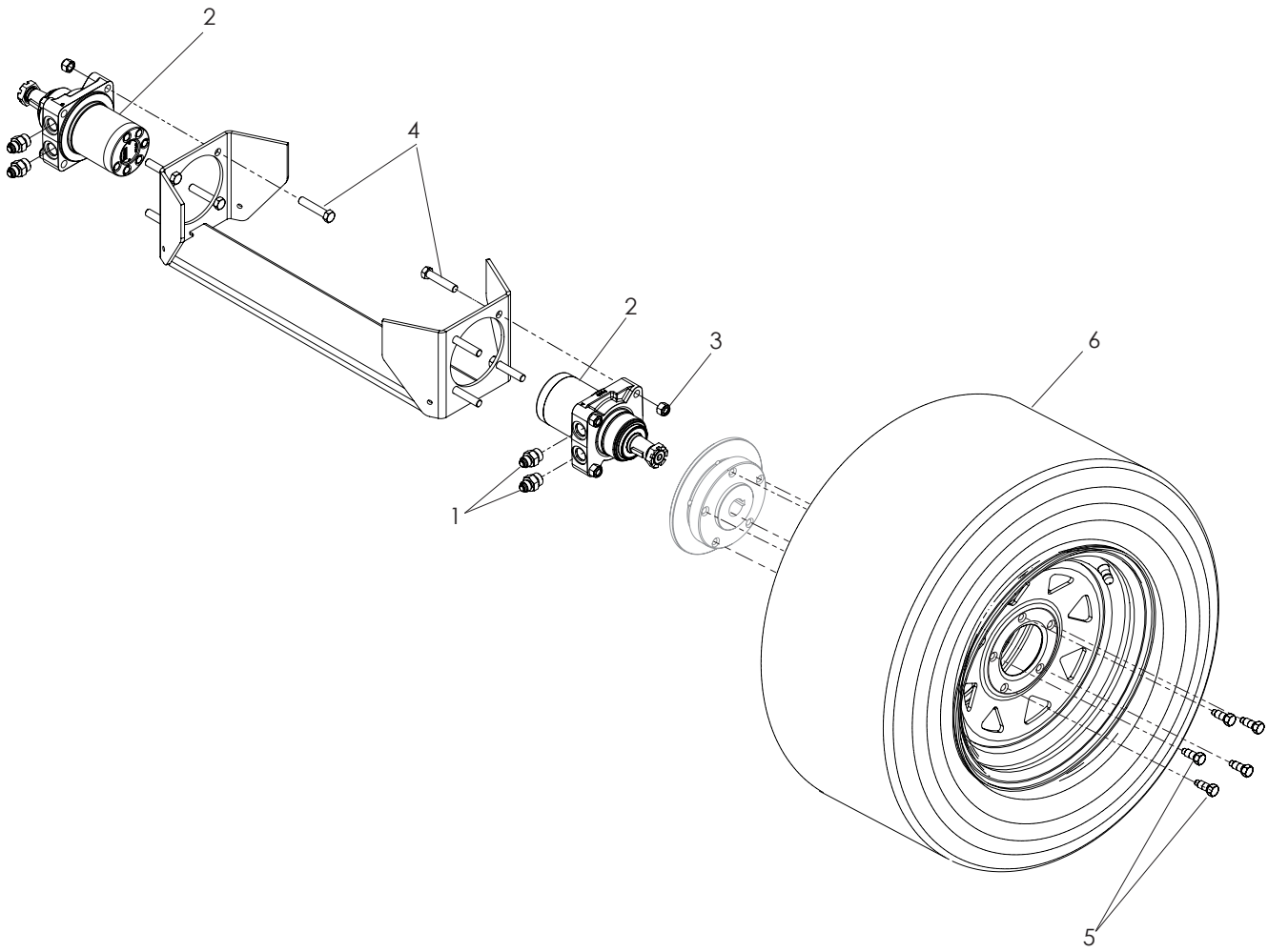
PARKING BRAKE

ITEM	PART NO.	QTY.	DESCRIPTION	ITEM	PART NO.	QTY.	DESCRIPTION
1..	539 131599....	2	PLATE, BRAKE	20..	539 132154....	1	ACTUATOR, SWITCH
2..	539 131737....	2	HUB, 5 BOLT	21..	539 990585....	3	NUT ⁵ / ₁₆ -18 HEX WHIZLK
3..	539 131738....	2	CALIPER, PARK BRAKE	22..	539 132423....	1	LEVER, BRAKE
4..	539 132176....	3	BRACKET, L	23..	539 132153....	1	BELLCRAKE, BRAKE
5..	539 109562....	3	WASHER ³ / ₈ x ³ / ₄ x .187 TK	24..	539 108396....	1	HCS ⁵ / ₁₆ -18 x 2 ¹ / ₂ TPBLT
6..	539 104763....	1	RETAINER, U TYPE	25..	539 990717....	1	NUT ⁵ / ₁₆ -18 HEX NYLOC
7..	539 113952....	2	SPRING	26..	539 200282....	2	NUT ³ / ₈ -16 HEX JAM NYLOC
8..	539 132173....	1	CABLE, BRAKE, SHORT	27..	539 112899....	1	NUT ⁵ / ₁₆ -18 FLANGE NYLOC
9..	539 132174....	2	CABLE, BRAKE, LONG	28..	539 990209....	1	HCS ⁵ / ₁₆ -18 x 1ZD
10..	539 112899....	4	NUT ⁵ / ₁₆ -18 FLANGE NYLOC	29..	539 105036....	1	GRIP, BRAKE HANDLE
11..	539 107475....	3	BOLT ⁵ / ₁₆ -18 x ³ / ₄ THD FRM	30..	539 132424....	1	LINKAGE, BRAKE
12..	539 990645....	2	RHSNB ³ / ₈ -16 x 1	31..	539 990316....	1	RHSNB ⁵ / ₁₆ -18 x ³ / ₄ GR5
13..	539 990122....	2	WASHER, ³ / ₈ SAE FLT	32..	539 132185....	1	BRKT, EXTENSION 72" ONLY
14..	539 200282....	9	NUT ³ / ₈ -16 HEX JAM NYLOC	33..	539 990209....	2	HCS ⁵ / ₁₆ -18 x 1
15..	539 113951....	4	SB ³ / ₈ -16 x 2 ¹ / ₂ SKT HD	NOT SHOWN			
16..	539 990563....	5	HCS ³ / ₈ -16 x 1ZD		539 976856 ...	2	TIE, PLASTIC
17..	539 132151....	1	ARM, BRAKE				
18..	539 132158....	1	MOUNT, BRAKE WELDMENT				
19..	539 132161....	4	BUSHING, BRAKE				

HYDRAULIC PUMP-MOTOR



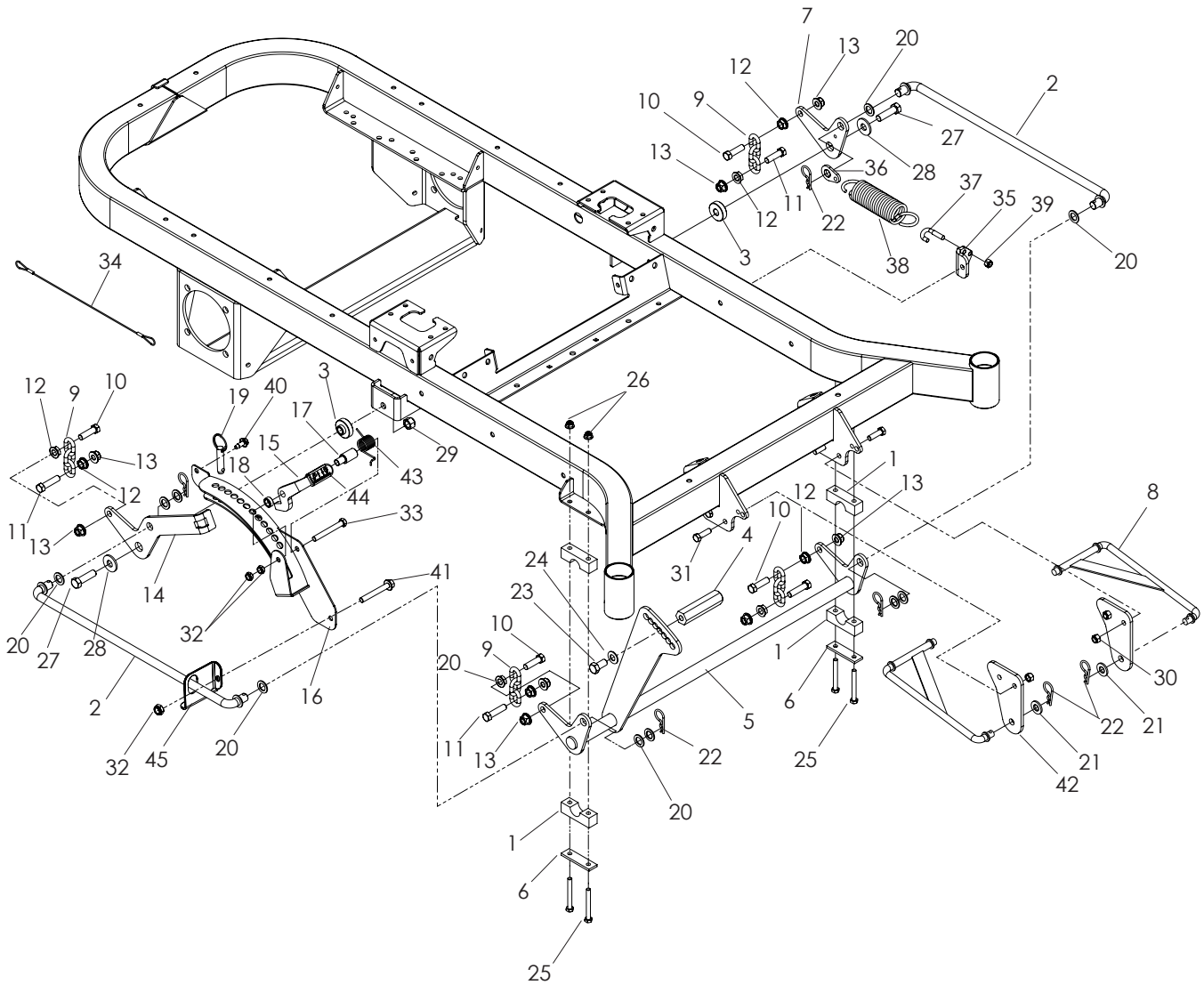
WHEELS AND TIRES



WHEELS AND TIRES

ITEM	PART NO.	QTY.	DESCRIPTION	ITEM	PART NO.	QTY.	DESCRIPTION
1..	539 101239....4	STRAIGHT CONNECTOR	4..	539 108346....8	HCS ½-13 x 2½
2..	539 114523....2	WHEEL MOTOR, TJ	5..	532 140080..10	BOLT, HUB
3..	539 101331....8	NUT ½ HEX NYLOC	6..	532 140556....2	TIRE, 23 x 10.50

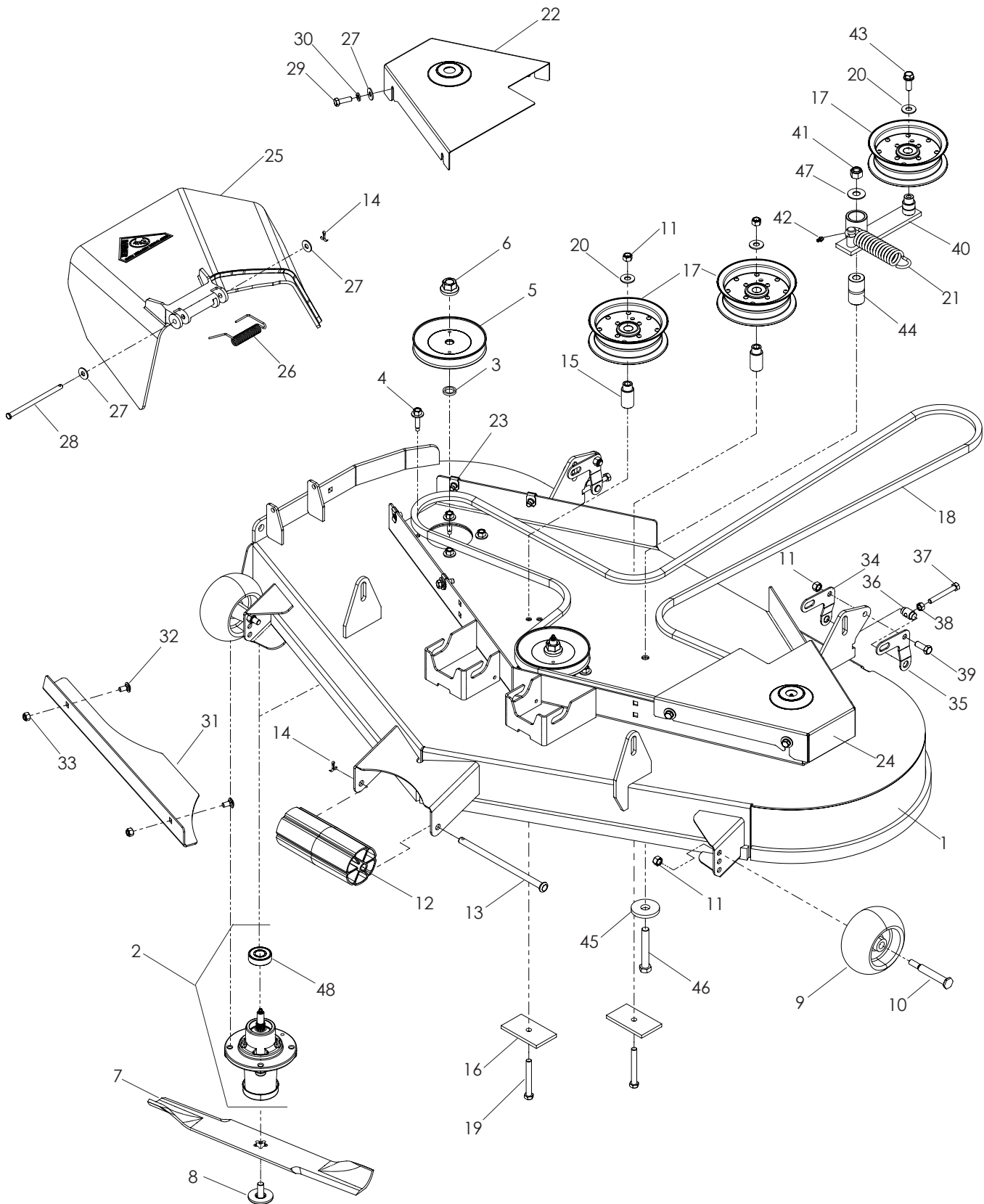
MOWER LIFT / DECK LIFT



MOWER LIFT / DECK LIFT

ITEM	PART NO.	QTY.	DESCRIPTION	ITEM	PART NO.	QTY.	DESCRIPTION
1..	539 104808....4	PILLOW BLOCK	25..	539 101721....4	HCS $\frac{5}{16}$ -18 x $2\frac{3}{4}$
2..	539 110808....2	DECK LIFT LINK	26..	539 112899....5	NUT $\frac{5}{16}$ -18 FLANGE NYLOC
3..	539 118937....2	IDLER SPACER	27..	539 108181....2	HCS $\frac{1}{2}$ -13 x $1\frac{3}{4}$ GR 8
4..	539 131556....1	PEDAL, FOOT, HEX	28..	539 109554....2	WASHER $\frac{1}{2}$ FLAT
5..	539 131558....1	SHAFT, FRONT-LIFT	29..	539 101331....2	NUT $\frac{1}{2}$ HEX NYLOC
6..	539 104807....2	REINFORCEMENT BAR	30..	539 976979....4	NUT $\frac{3}{8}$ -16 HEX NYLOC
7..	539 131897....1	BELLCRANK, RR, LIFT	31..	539 976941....4	HCS $\frac{3}{8}$ -16 x $1\frac{1}{4}$
8..	539 112223....2	STRUT LINKAGE	32..	539 200282....3	NUT $\frac{3}{8}$ -16 HEX JAM NYLOC
9..	539 109693....4	LIFT CHAIN-3 LINK	33..	539 101341....1	HCS $\frac{3}{8}$ -16 x 3
10..	539 101175....4	HCS $\frac{7}{16}$ -14 x $1\frac{1}{2}$	34..	539 105059....1	LANYARD
11..	539 108073....4	HCS $\frac{7}{16}$ -14 x $1\frac{3}{4}$	35..	539 131791....1	MOUNT, SPRING
12..	539 102582....8	NUT $\frac{7}{16}$ -14 HEX WHIZ LK	36..	539 131792....1	TAB, SPRING
13..	539 132019....8	NUT $\frac{7}{16}$ -14 HEX WHIZ LK	37..	539 112896....1	J-BOLT
14..	539 131853....1	BELLCRANK, RR, RT	38..	539 102642....1	SPRING, DECK BELTS
15..	539 131566....1	LATCH, TRANSPORT	39..	539 990717....1	NUT $\frac{5}{16}$ -18 NYLOC
16..	539 131850....1	HEIGHT, ADJUST, DECK	40..	539 107475....1	BOLT $\frac{5}{16}$ -18 x $\frac{3}{4}$ THD FRM
17..	539 131860....1	PIVOT, LATCH, TRANSPORT	41..	539 131781....1	HHFS $\frac{3}{8}$ -16 x $2\frac{3}{4}$
18..	539 131861....1	SPACER, .3	42..	539 132017....2	MOUNT, STRUT 52", 61"
19..	539 132182....1	PIN, $\frac{1}{2}$ x $1\frac{1}{2}$, DETENT RING	539 132018....2	MOUNT, STRUT, 72"	
20..	539 991043..10	BUSHING .625	43..	539 132734....1	SPRING, TORSION
21..	539 990250....2	WASHER, SAE	44..	539 132851....1	GRIP
22..	539 115501....6	PIN, COTTER $1\frac{3}{4}$	45..	539 132891....1	SUPPORT, LIFT LINKAGE MZ7227 ONLY
23..	539 990646....1	HCS $\frac{1}{2}$ -13 x $1\frac{3}{4}$				
24..	539 102843....1	WASHER, $\frac{7}{16}$ " SPRING				

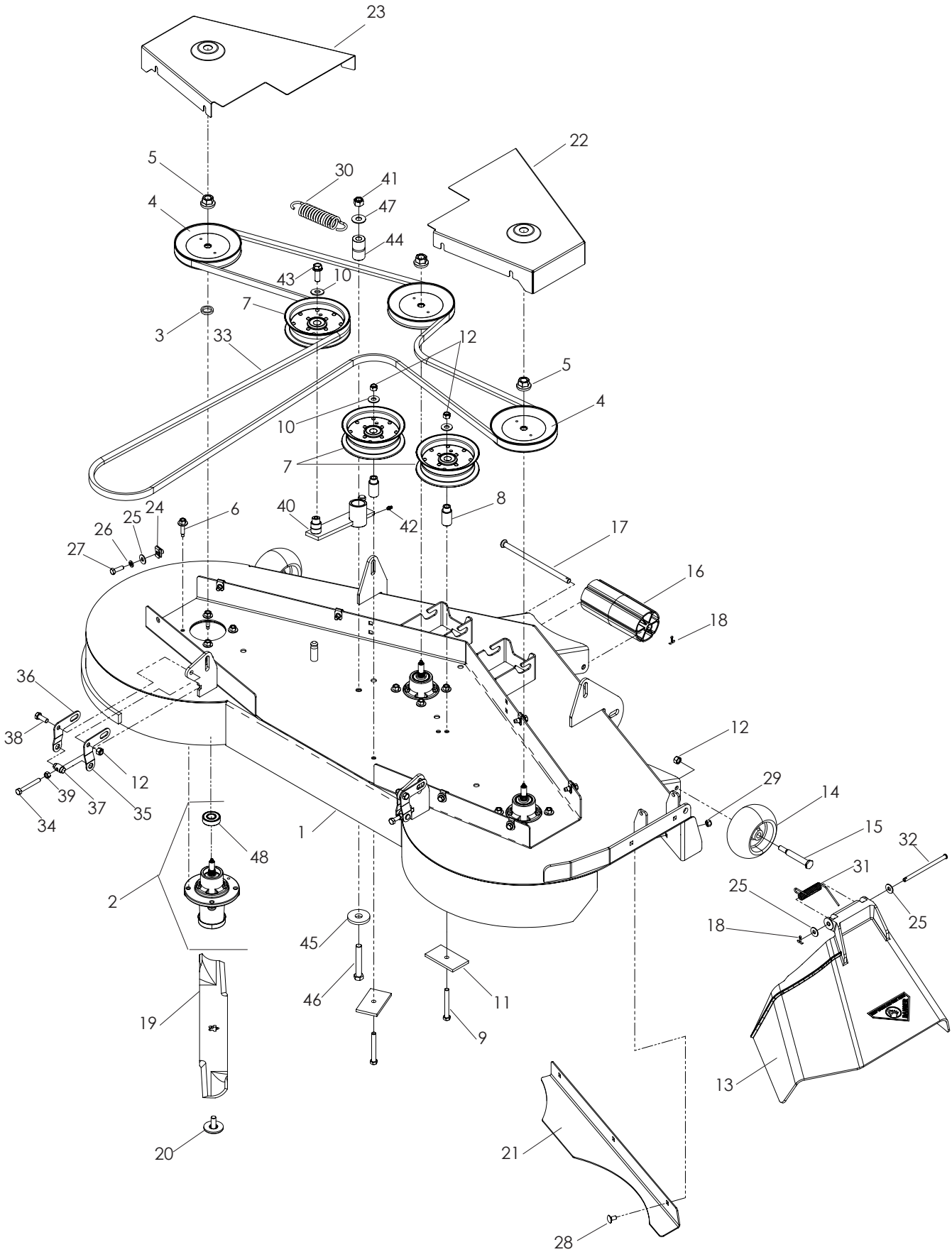
52" DECK



52" DECK

ITEM	PART NO.	QTY.	DESCRIPTION	ITEM	PART NO.	QTY.	DESCRIPTION
1..	539 132746....	1 DECK 52" W/DECALS	25..	539 110733....	1 DISCHARGE CHUTE, 52"
2..	539 112170....	3 HOUSING ASSEMBLY	26..	539 110735....	1 SPRING, TORSION
3..	539 107520....	3 WASHER-SPACER	27..	539 990692..	10 WASHER, ⁵ / ₁₆ STD FLT
4..	539 107630..	12 SCREW, WASHER HEAD	28..	539 110736....	1 PIN, CLEVIS ⁵ / ₁₆
5..	539 112171....	3 PULLEY	29..	539 990209....	8 HCS ⁵ / ₁₆ -18 x 1
6..	539 107590....	3 NUT ⁹ / ₁₆ TOP CENTER LOCK	30..	539 990187....	8 WASHER ⁵ / ₁₆ SLW
7..	539 112079....	3 BLADE, 18"-EZ	31..	539 112417....	1 CONFINEMENT PLATE, 52"
8..	539 107522....	3 BOLT, ⁷ / ₁₆ , BLADE	32..	539 990799....	2 RHSNB ⁵ / ₁₆ -18 x ⁵ / ₈
9..	539 107610....	2 WHEEL, GAUGE	33..	539 990717....	2 NUT ⁵ / ₁₆ -18 HEX NYLOC
10..	539 107608....	2 BOLT, SHOULDER	34..	539 131857....	2 PITCH, ADJUST, RT
11..	539 976979....	6 NUT ³ / ₈ -16 HEX NYLOC	35..	539 131858....	2 PITCH, ADJUST, LT
12..	532 176066....	1 ROLLER, NOSE, 48"	36..	539 131859....	2 TRUNION, PITCH
13..	539 107613....	1 ROD, ROLLER, NOSE	37..	539 108396....	2 HCS ⁵ / ₁₆ -18 x 2 ¹ / ₂ TPBLT
14..	539 990365....	2 PIN, COTTER ¹ / ₈ x ³ / ₄	38..	539 990196....	2 NUT ⁵ / ₁₆ -18 HEX
15..	539 112169....	2 IDLER BUSHING	39..	539 990563....	2 HCS ³ / ₈ -16 x 1
16..	539 103303....	2 PAD, PAINTED	40..	539 112198....	1 IDLER ARM WELDMT
17..	539 132728....	3 PULLEY, IDLER	41..	539 101331....	1 NUT ¹ / ₂ HEX NYLOC
18..	539 114557....	1 V-BELT	42..	539 976998....	1 ZERK
19..	539 101341....	2 HCS ³ / ₈ -16 x 3	43..	539 990582....	1 HCS ³ / ₈ -16 x 1 WHIZLK
20..	539 990517....	2 WASHER, ³ / ₈ FLAT STD	44..	539 103427....	1 PIVOT BUSHING
21..	539 103256....	1 SPRING	45..	539 102243....	1 SUPPORT WASHER
22..	539 112242....	1 BELT SHIELD, RH	46..	539 103433....	1 HCS ¹ / ₂ -13 x 3 ¹ / ₄
23..	539 104763....	8 RETAINER, U TYPE	47..	539 990550....	1 WASHER, ¹ / ₂ STD FLT
24..	539 112244....	1 BELT SHIELD, LH	48..	539 112060....	1 BALL BEARING

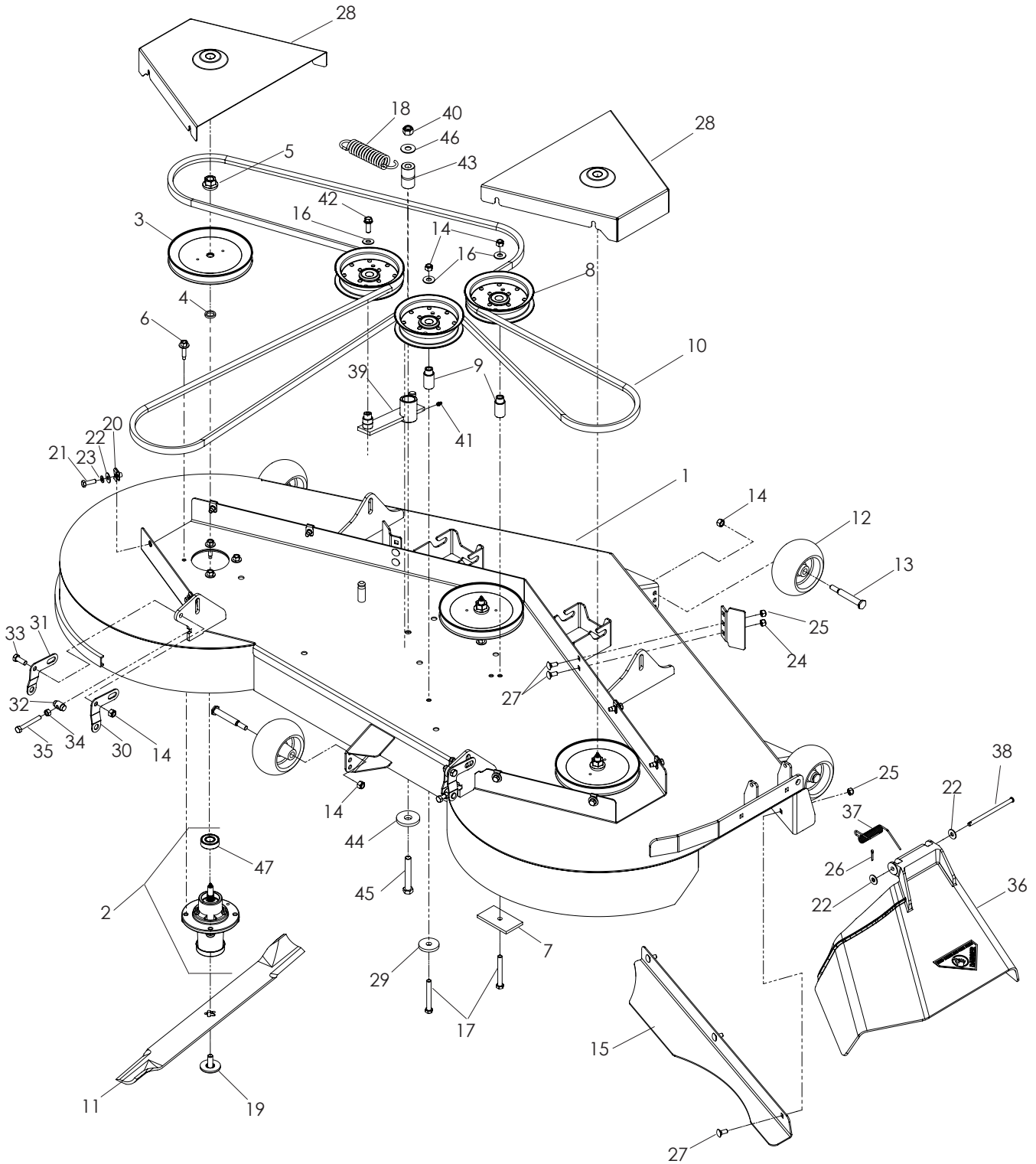
61" DECK



61" DECK

ITEM	PART NO.	QTY.	DESCRIPTION	ITEM	PART NO.	QTY.	DESCRIPTION
1..	539 132747....	1	DECK W/DECALS 61"	25..	539 990692..	10	WASHER, $\frac{5}{16}$ STD FLT
2..	539 112170....	3	HOUSING ASSEMBLY	26..	539 990187....	8	WASHER $\frac{5}{16}$ SLW
3..	539 107520....	3	WASHER-SPACER	27..	539 990209....	8	HCS $\frac{5}{16}$ -18 x 1
4..	539 113300....	3	PULLEY	28..	539 990799....	3	RHSNB $\frac{5}{16}$ -18 x $\frac{5}{8}$
5..	539 107590....	3	NUT $\frac{9}{16}$ TOP CENTER LOCK	29..	539 990717....	3	NUT $\frac{5}{16}$ -18 HEX NYLOC
6..	539 107630..	12	SCREW, WASHER HEAD	30..	539 103256....	1	SPRING
7..	539 132728....	3	PULLEY, IDLER	31..	539 110735....	1	SPRING, TORSION
8..	539 112169....	2	IDLER BUSHING	32..	539 110736....	1	PIN, CLEVIS $\frac{5}{16}$
9..	539 101341....	2	HCS $\frac{3}{8}$ -16 x 3	33..	539 132002....	1	BELT, DECK
10..	539 990517....	2	WASHER, $\frac{3}{8}$ FLAT STD	34..	539 108396....	2	HCS $\frac{5}{16}$ -18 x 2 $\frac{1}{2}$ TPBLT
11..	539 103303....	2	PAD, PAINTED	35..	539 131857....	2	PITCH, ADJUST, RT
12..	539 976979....	6	NUT $\frac{3}{8}$ -16 HEX NYLOC	36..	539 131858....	2	PITCH, ADJUST, LT
13..	539 110734....	1	DISCHARGE CHUTE, 61"	37..	539 131859....	2	TRUNION, PITCH
14..	539 107610....	2	WHEEL, GAUGE	38..	539 990563....	2	HCS $\frac{3}{8}$ -16 x 1
15..	539 107608....	2	BOLT, SHOULDER	39..	539 990196....	2	NUT $\frac{5}{16}$ -18 HEX
16..	532 176066....	1	ROLLER, NOSE, 48"	40..	539 112198....	1	IDLER ARM WELDMT
17..	539 107613....	1	ROD, ROLLER, NOSE	41..	539 101331....	1	NUT $\frac{1}{2}$ HEX NYLOC
18..	539 990365....	2	PIN, COTTER $\frac{1}{8}$ x $\frac{3}{4}$	42..	539 976998....	1	ZERK
19..	539 113312....	3	BLADE, 21"	43..	539 990582....	1	HCS $\frac{3}{8}$ -16 x 1 WHIZLK
20..	539 107522....	3	BOLT, $\frac{7}{16}$, BLADE	44..	539 103427....	1	PIVOT BUSHING
21..	539 113317....	1	CONFINEMENT PLATE	45..	539 102243....	1	SUPPORT WASHER
22..	539 113319....	1	BELT SHIELD, RH	46..	539 103433....	1	HCS $\frac{1}{2}$ -13 x $\frac{3}{4}$
23..	539 113322....	1	BELT SHIELD, LH	47..	539 990550....	1	WASHER, $\frac{1}{2}$ STD FLT
24..	539 104763....	8	RETAINER, U TYPE	48..	539 112060....	1	BALL BEARING

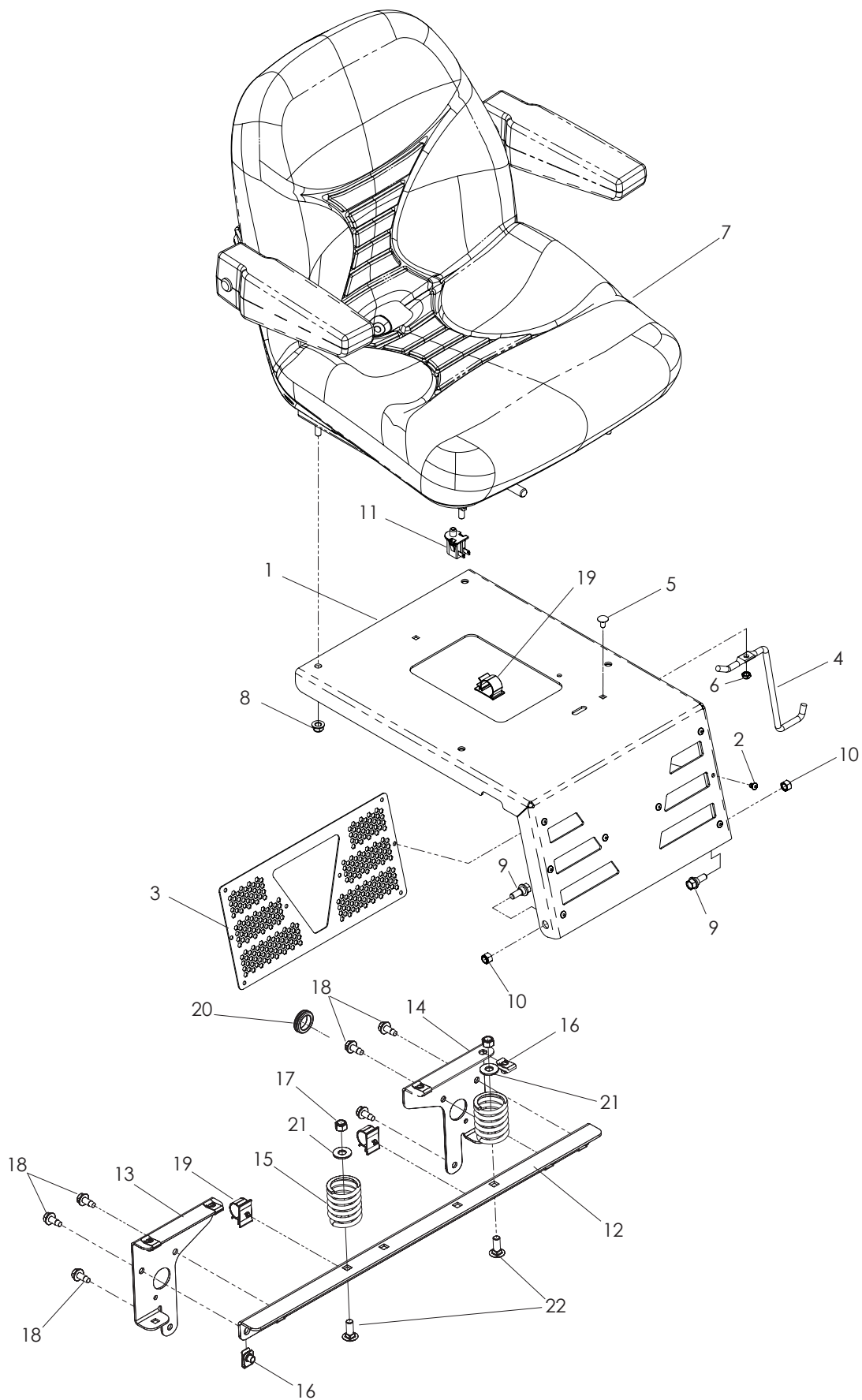
72" DECK



72" DECK

ITEM	PART NO.	QTY.	DESCRIPTION	ITEM	PART NO.	QTY.	DESCRIPTION
1..	539 132748....	1 DECK, W/DECALS	25..	539 990717....	7 NUT $\frac{5}{16}$ -18 HEX NYLOC
2..	539 112170....	3 HOUSING ASSEMBLY	26..	539 990365....	1 PIN, COTTER $\frac{1}{8}$ x $\frac{3}{4}$
3..	539 131563....	3 PULLEY	27..	539 990316....	7 RHSNB $\frac{5}{16}$ -18 x $\frac{3}{4}$
4..	539 107520....	3 WASHER-SPACER	28..	539 131871....	2 SHIELD, BELT-72"
5..	539 107590....	3 NUT $\frac{9}{16}$ TOP CENTER LOCK	29..	539 106504....	1 HEAVY WASHER
6..	539 107630..	12 SCREW, WASHER HEAD	30..	539 131857....	2 PITCH, ADJUST, RT
7..	539 103303....	1 PAD, PAINTED	31..	539 131858....	2 PITCH, ADJUST, LT
8..	539 132728....	3 PULLEY, IDLER	32..	539 131859....	2 TRUNION, PITCH
9..	539 112169....	2 IDLER BUSHING	33..	539 990563....	2 HCS $\frac{3}{8}$ -16 x 1
10..	539 132003....	1 BELT, DECK	34..	539 990196....	2 NUT $\frac{5}{16}$ -18 HEX
11..	539 131562....	3 BLADE, 25"	35..	539 108396....	2 HCS $\frac{5}{16}$ -18 x 2 $\frac{1}{2}$ TPBLT
12..	539 107610....	4 WHEEL, GAUGE	36..	539 132730....	1 DISCHARGE CHUTE-72"
13..	539 107608....	4 BOLT, SHOULDER	37..	539 110735....	1 SPRING-TORSION
14..	539 976979....	8 NUT $\frac{3}{8}$ -16 HEX NYLOC	38..	539 110736....	1 PIN, CLEVIS $\frac{5}{16}$
15..	539 131746....	1 CONFINEMENT PLATE, 72"	39..	539 112198....	1 IDLER ARM WELDMT
16..	539 990517....	2 WASHER, $\frac{3}{8}$ FLAT STD	40..	539 101331....	1 NUT $\frac{1}{2}$ HEX NYLOC
17..	539 101341....	2 HCS $\frac{3}{8}$ -16 x 3	41..	539 976998....	1 ZERK
18..	539 103256....	1 SPRING	42..	539 990582....	1 HCS $\frac{3}{8}$ -16 x 1 WHIZLK
19..	539 107522....	3 BOLT, $\frac{7}{16}$, BLADE	43..	539 103427....	1 PIVOT BUSHING
20..	539 104763....	8 RETAINER, U TYPE	44..	539 102243....	1 SUPPORT WASHER
21..	539 990209....	8 HCS $\frac{5}{16}$ -18 x 1	45..	539 103433....	1 HCS $\frac{1}{2}$ -13 x $\frac{3}{4}$
22..	539 990692..	10 WASHER, $\frac{5}{16}$ STD FLT	46..	539 990550....	1 WASHER, $\frac{1}{2}$ STD FLT
23..	539 990187....	8 WASHER $\frac{5}{16}$ SLW	47..	539 112060....	1 BALL BEARING
24..	539 112248....	2 DECK STOP				

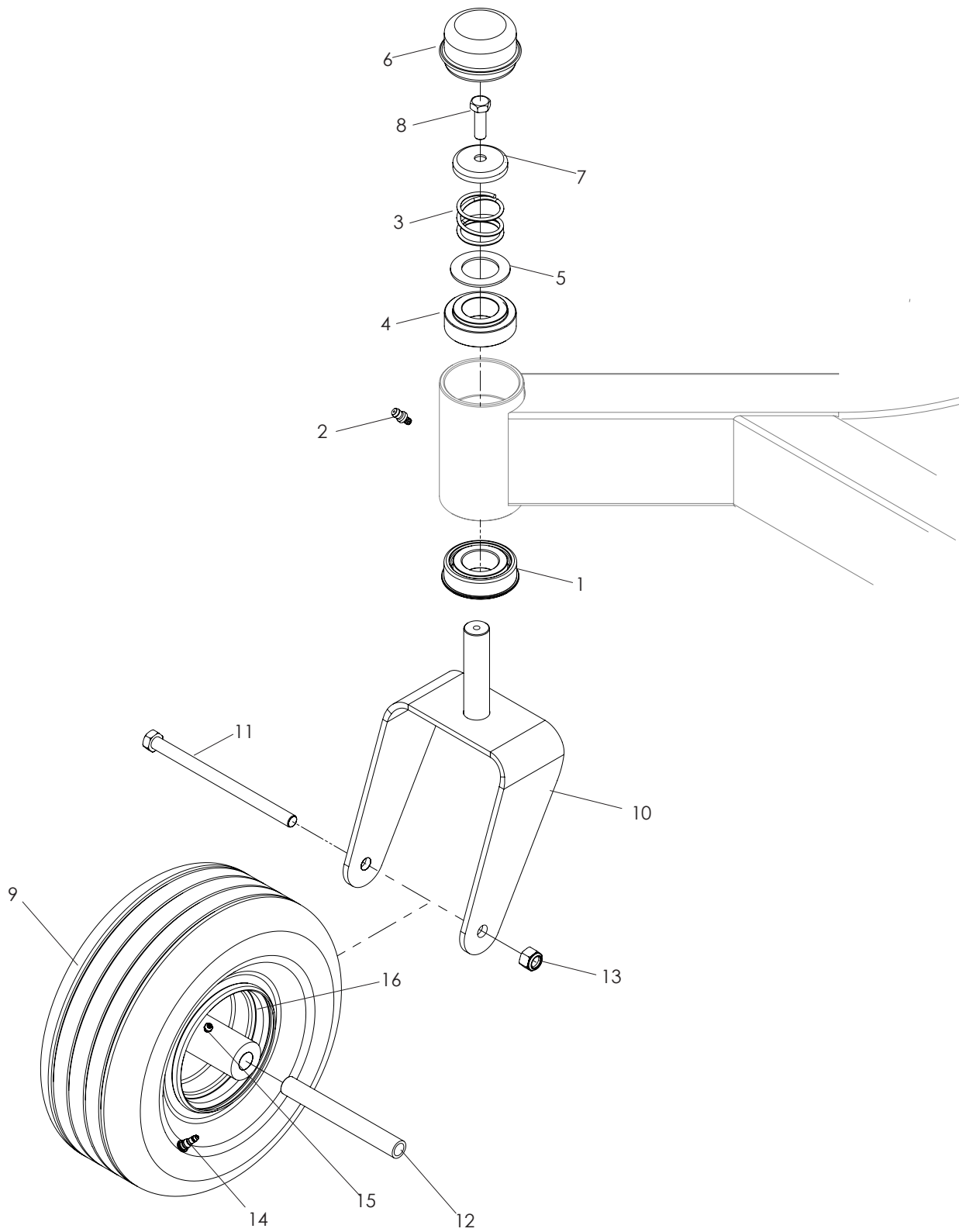
SEAT



SEAT

ITEM	PART NO.	QTY.	DESCRIPTION	ITEM	PART NO.	QTY.	DESCRIPTION
1..	539 132745....	1	MOUNT, SEAT W/DECALS	12..	539 131656....	1	SUPPORT, SEAT
2..	539 132894....	8	RIVET, ³ / ₁₆ , GRIP	13..	539 131778....	1	SUPPORT, LT
3..	539 131763....	1	PANEL, HEX	14..	539 131779....	1	SUPPORT, RT
4..	539 131899....	1	STOP, SEAT, FORWARD	15..	539 110300....	2	SPRING, SEAT
5..	539 111777	1	RHSSNB ¹ / ₄ -20 x ¹ / ₂	16..	539 104763....	8	RETAINER, U TYPE
6..	539 108120....	1	NUT ¹ / ₄ -20 HEX THIN NYLOC	17..	539 976979....	2	NUT ³ / ₈ -16 HEX NYLOC
7..	539 130873....	1	SEAT	18..	539 107475....	6	BOLT ⁵ / ₁₆ -18 x ³ / ₄ THD FRM
8..	539 112899....	4	NUT ⁵ / ₁₆ -18 FLANGE NYLOC	19..	539 110815....	3	WIRE CLIP, PUSH MOUNT
9..	539 130896....	2	BOLT ⁵ / ₁₆ -18 HEX HD	20..	539 105974....	1	RUBBER GROMMET
10..	539 990717....	2	NUT ⁵ / ₁₆ -18 HEX NYLOC	21..	539 990517....	2	WASHER, ³ / ₈ FLAT STD
11..	539 119741	1	SEAT SWITCH	22..	539 990645....	2	RHSNB ³ / ₈ -16 x 1

CASTERS

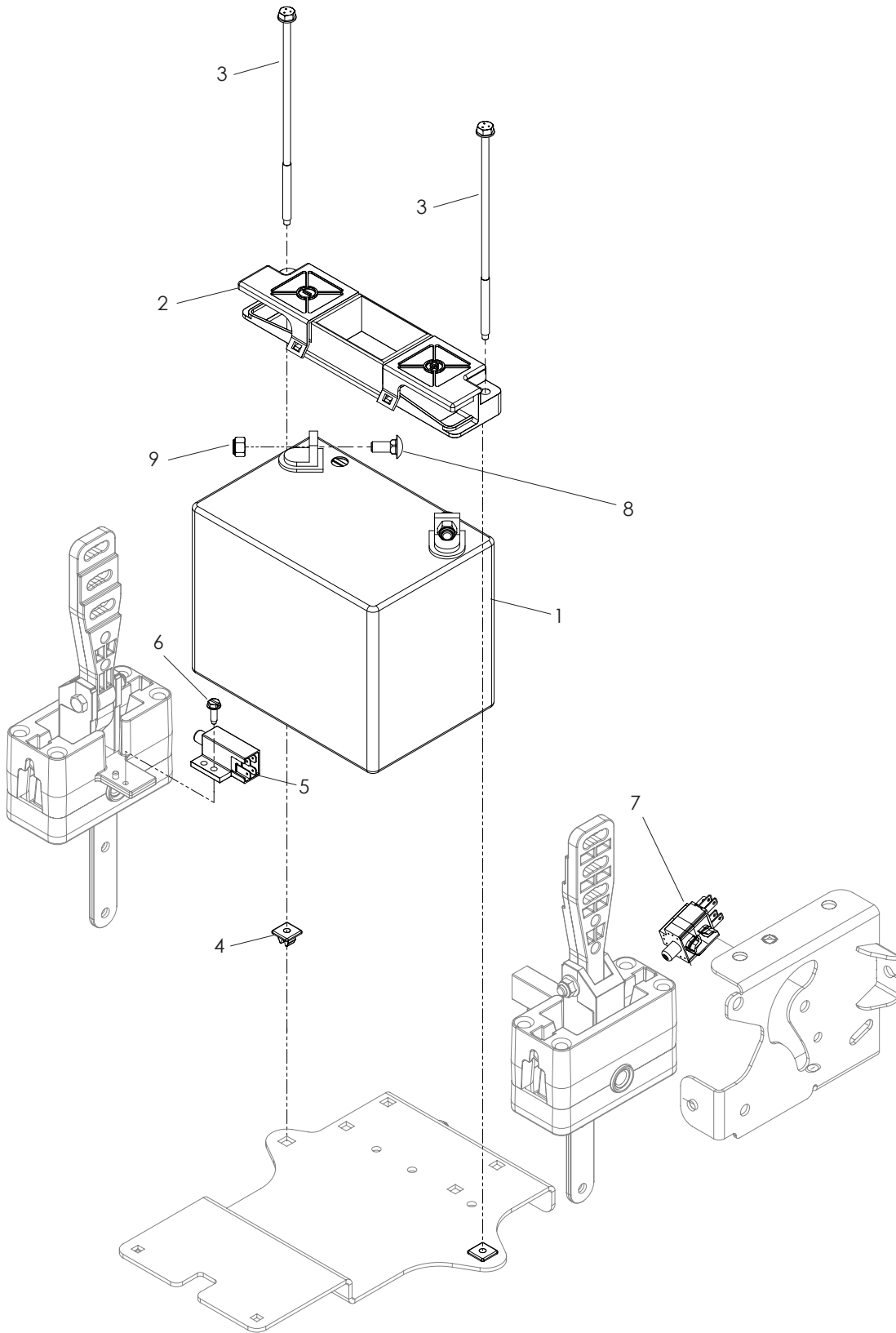


CASTERS

ITEM	PART NO.	QTY.	DESCRIPTION
1..	539 112660....	2	BEARING, FLANGED
2..	539 115638....	2	³ / ₁₆ " DRIVE ZERK
3..	539 115747....	2	SPRING, CASTER
4..	539 117901....	2	BUSHING, CASTER
5..	539 115675....	2	WASHER, 1.025 ID x 1.64
6..	539 102535....	2	GREASE CAP
7..	539 115749....	2	PLUG, CASTER
8..	539 990209....	2	HCS ⁵ / ₁₆ -18 x 1
9..	539 104572....	2	TIRE ASSEMBLY
10..	539 131674....	2	YOKE, CASTER

ITEM	PART NO.	QTY.	DESCRIPTION
11..	539 102855....	2	HCS ½-13 x 7½
12..	539 102856....	2	SPACER
13..	539 101331....	2	NUT ½ HEX NYLOC
14..	539 912234....	2	AIR VALVE
15..	539 976997....	2	ZERK
16..	539 104573....	2	RIM
NOT SHOWN			
	539 102485 ...	4	ROLLER BEARING
	539 102484 ...	4	BEARING, FLANGED

ELECTRICAL

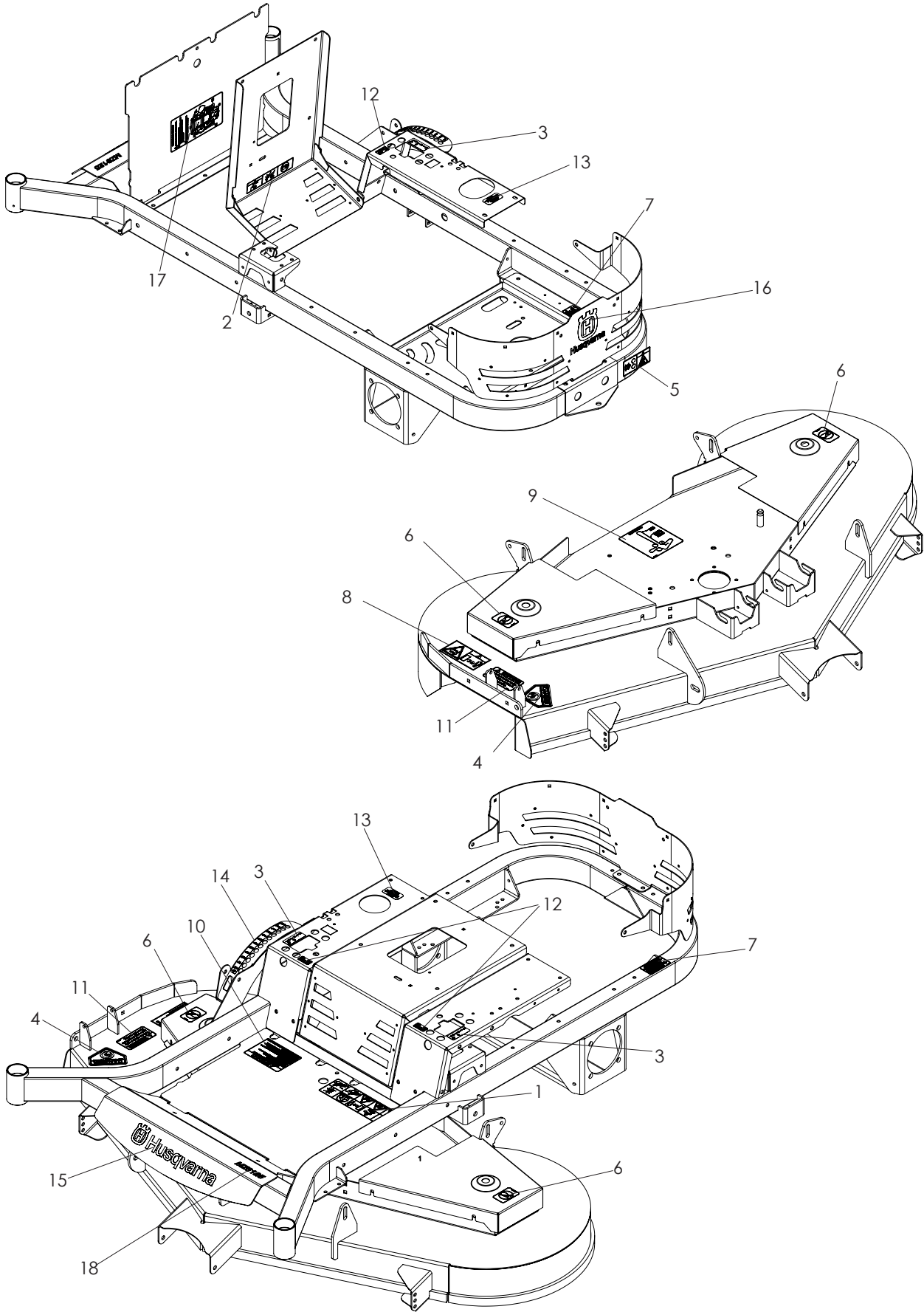


ELECTRICAL

ITEM	PART NO.	QTY.	DESCRIPTION
1..	539 102436....	1	BATTERY
2..	539 107628....	1	BATTERY HOLD DOWN
3..	539 107632....	2	BOLT, 1/4 x 7 1/2
4..	539 107629....	2	NUT 1/4 PUSH, NYLON
5..	539 101080....	2	SWITCH, INTERLOCK
6..	539 991034....	2	SCREW #10-24 x 5/8 WSH HD
7..	539 113792....	1	SWITCH, BRAKE

ITEM	PART NO.	QTY.	DESCRIPTION
8..	539 990316....	2	BOLT, 5/16-18 x 3/4
9..	539 112899....	2	NUT 5/16-18 FLANGE NYLOC
NOT SHOWN			
	539 132413 ...	1	POSITIVE CABLE, 46"
	539 107645 ...	1	NEGATIVE CABLE, 32"
	539 131743 ...	1	MAIN HARNESS

DECALS



DECALS

ITEM	PART NO.	QTY.	DESCRIPTION	ITEM	PART NO.	QTY.	DESCRIPTION
1..	539 107959	...1	...DECAL, WARNING	13..	539 132186	...1	...DECAL, OIL TANK
2..	539 105745	...1	...DECAL, BATTERY WARNING	14..	539 132039	...1	...DECAL, HEIGHT ADJUST
3..	539 103333	...2	...DECAL, MOTION CONTROL	15..	539 111047	...1	...DECAL, HUSQ 12" BLUE
4..	539 913010	...1	...DECAL, CPSC	16..	539 111042	...1	...DECAL, CROWN H, BLUE
5..	539 105744	...1	...DECAL, DANGER BLT DRIVE	17..	539 132187	...1	...DECAL, SERVICE
6..	539 105743	...2	...DECAL, NO STEP	18..	539 132025	...1	...DECAL, M5225
7..	539 101881	...1	...DECAL, PROP 65		539 132026	...1	...DECAL, M6125
8..	539 105746	...1	...DECAL, SEVERING		539 132027	...1	...DECAL, M7227
9..	539 132040	...1	...DECAL, BELT ROUTING	NOT SHOWN			
10..	539 113213	...1	...DECAL, WARNING		539 110279	...1	...DECAL, TICK MARK N1485
11..	539 113224	...1	...DECAL, WARNING				MODELS MZ5225BF,
12..	539 110974	...2	...DECAL, F.S.T				MZ6125BF ONLY