

Gasoline containing up to 10% ethanol (E10) is acceptable for use in this machine. The use of any gasoline exceeding 10% ethanol (E10) will void the product warranty.

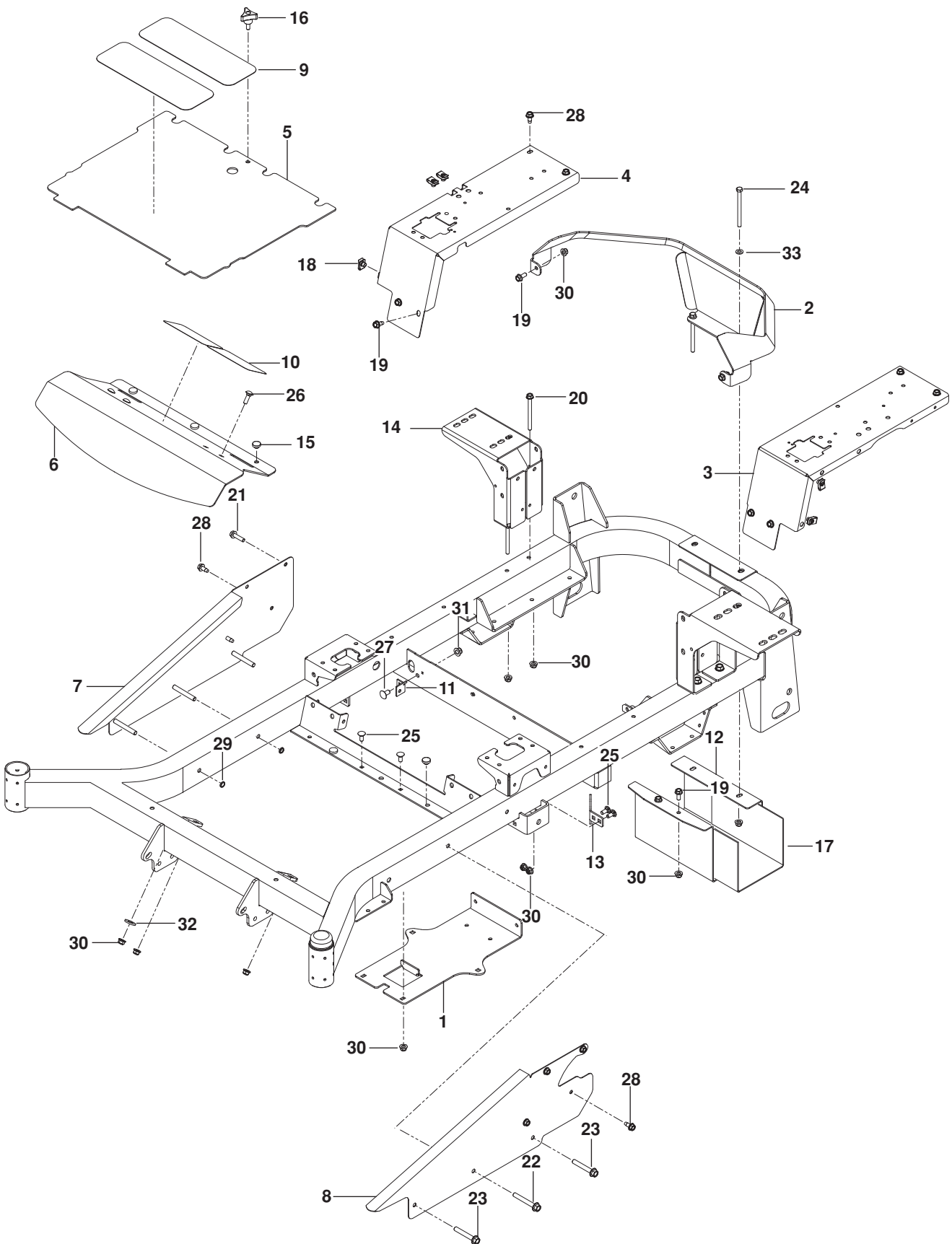
Parts Manual

MZ6128 / 966613103



Please read the operator's manual carefully and make sure you understand the instructions before using the machine.

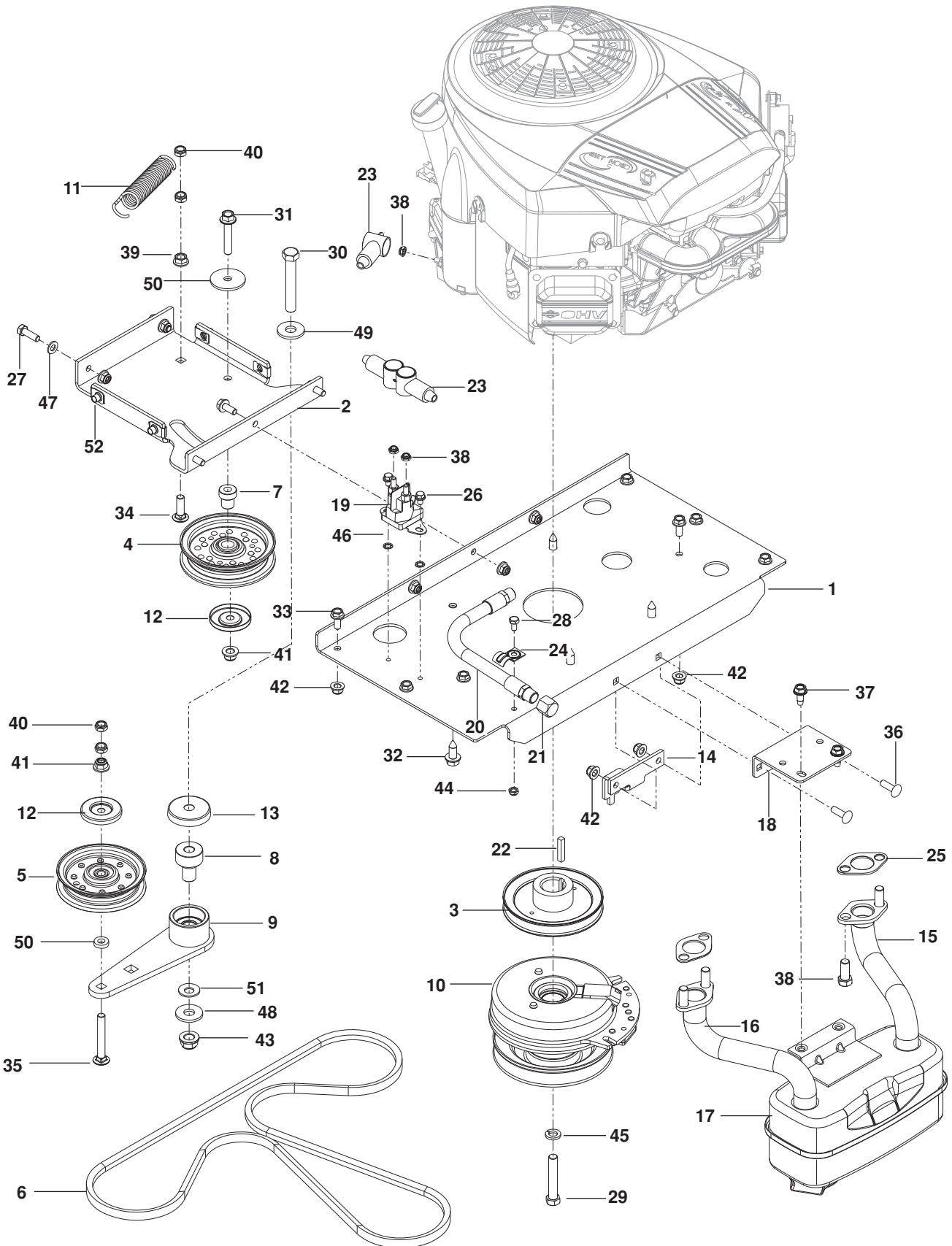
FRAME



FRAME

ITEM	PART NO.	QTY.	DESCRIPTION	ITEM	PART NO.	QTY.	DESCRIPTION
1..	575 017202....	1 PLATE, BATTERY, BLK	18..	539 104763....	8 RETAINER, U TYPE $\frac{5}{16}$ -18
2..	575 348402....	1 GUARD, REAR GRY	19..	525 464701....	5 HHFS $\frac{5}{16}$ -18 x $\frac{3}{4}$
3..	577 256802....	1 PANEL, LT ORG	20..	539 131780....	4 HHFS $\frac{5}{16}$ -18 x $3\frac{3}{4}$
4..	577 256902....	1 PANEL, RT ORG	21..	525 544001....	1 HHFS $\frac{5}{16}$ -18 x $1\frac{1}{4}$ TPBLT
5..	539 132744....	1 PLATE w/ SAFTY DECAL ORG	22..	539 131781....	2 HHFS $\frac{3}{8}$ -16 x $2\frac{3}{4}$
6..	539 132380....	1 PLATE, FOOTREST ORG	23..	539 133006....	4 HHFS $\frac{3}{8}$ -16 x $2\frac{1}{2}$
7..	539 131579....	1 SIDE, RT ORG	24..	539 102335....	2 HCS $\frac{5}{16}$ -18 x 4
8..	539 131577....	1 SIDE, LT ORG	25..	539 990316....	6 RHSNB $\frac{5}{16}$ -18 x $\frac{3}{4}$
9..	539 977778....	2 PAD, ABRASIVE LG	26..	539 990208....	3 RHSNB $\frac{5}{16}$ -18 x 1
10..	539 121322....	2 PAD, ABRASIVE SM	27..	539 109117....	2 RHSNB $\frac{3}{8}$ -16 x $\frac{3}{4}$
11..	575 245202....	2 BRACKET, DAMPENER	28..	539 107475..	12 BOLT $\frac{5}{16}$ -18 x $\frac{3}{4}$ THD FRM
12..	575 230402....	1 SHIELD, MUFFLER BLK	29..	539 200282....	6 NUT $\frac{3}{8}$ -16 HEX JAM NYLOC
13..	505 256401....	2 STOP, DECK	30..	539 112899....	6 NUT $\frac{5}{16}$ -18 HEX FLANGE NYL
14..	575 533602....	2 MOUNT, TANK BLK	31..	521 996501....	2 NUT $\frac{3}{8}$ -16 HEX FLG NYLOC
15..	539 102587....	5 BUMPER	32..	539 990250....	1 WASHER
16..	539 104411....	1 KNOB w/ STUD	33..	539 990188....	2 WASHER $\frac{5}{16}$ SAE FLAT
17..	539 132859....	1 SHIELD, HEAT				

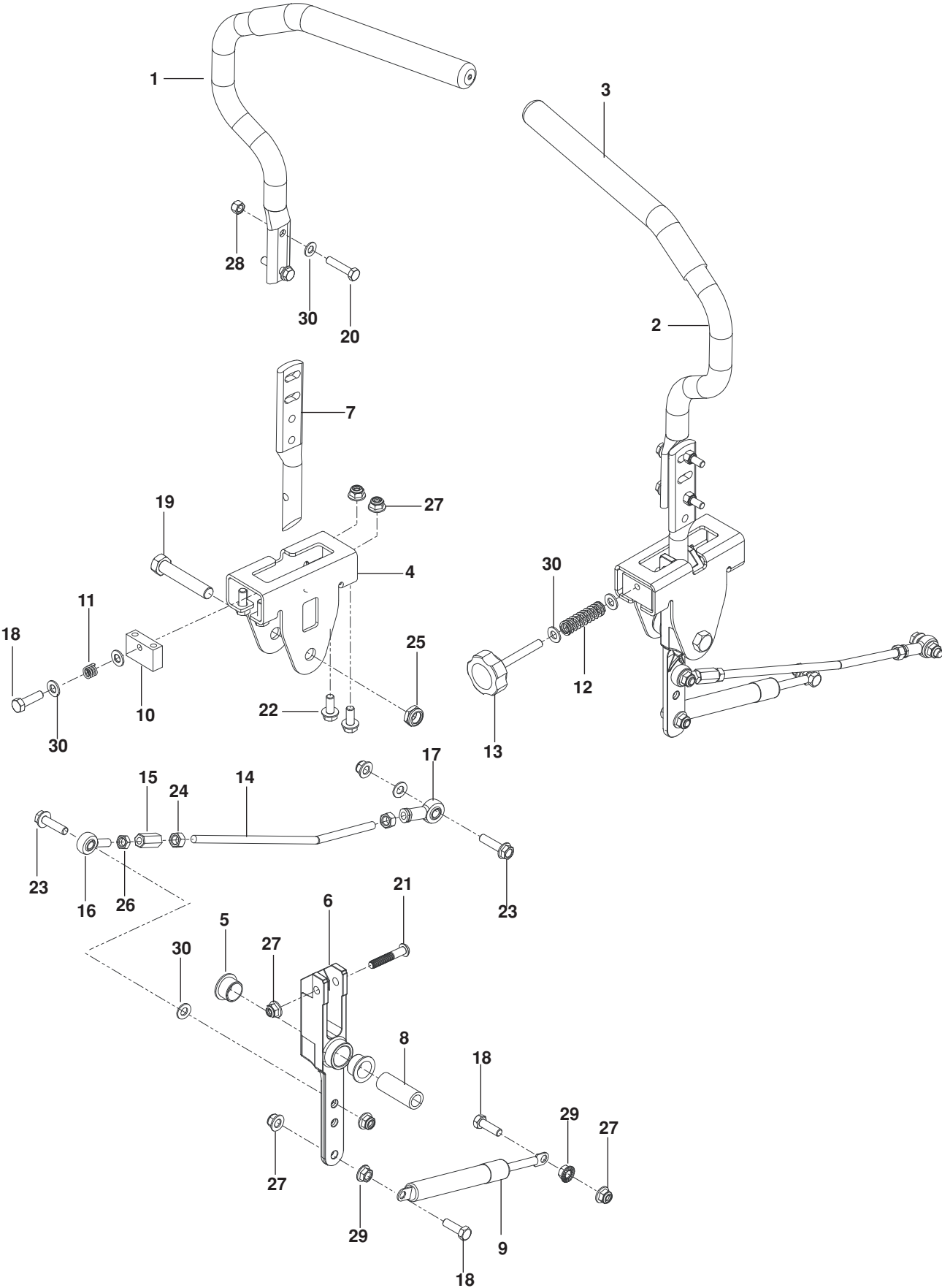
ENGINE PLATE



ENGINE PLATE

ITEM	PART NO.	QTY.	DESCRIPTION	ITEM	PART NO.	QTY.	DESCRIPTION
1..	575 608801....	1 PLATE, ENGINE w/ DECAL	28..	539 990071....	1 HCS 1/4-20 x 2
2..	574 846402....	1 PLATE, IDLER SUPPORT	29..	539 991120....	1 HCS 7/16-20 x 2 1/2
3..	574 811001....	1 PULLEY, V 1 1/8 BORE	30..	539 103433....	1 HCS 1/2-13 x 3 1/4
4..	539 976688....	1 PULLEY, IDLER	31..	525 866201....	1 HHFS 3/8-16 x 2
5..	539 107620....	1 PULLEY, IDLER	32..	532 120616....	4 HHFS 3/8-16 x 1 THD FRM
6..	574 870901....	1 BELT	33..	525 464701....	11 HHFS 5/16-18 x 3/4
7..	525 435601....	1 PIVOT, IDLER	34..	539 100413....	1 RHSNB 3/8-16 x 1 1/4
8..	510 206301....	1 PIVOT, BEARING	35..	539 130235....	1 RHSNB 3/8-16 x 2 3/4
9..	510 041603....	1 ARM, IDLER w/ BEARINGS	36..	539 107271....	2 RHSSNB 5/16-18 x 1
10..	574 607001....	1 CLUTCH, 200 FT-LB	37..	539 107475....	2 BOLT 5/16-18 x 3/4 THD FRM
11..	510 254401....	1 SPRING, PUMP	38..	532 183906....	4 SCREW 5/16-18 x 3/4 SKT HD
12..	510 254501....	2 SHIELD, DUST	39..	539 108120....	4 NUT 1/4-20 HEX THIN NYLOC
13..	539 114662....	1 SHIELD, DUST	40..	539 200282....	4 NUT 3/8-16 HEX JAM NYLOC
14..	575 017302....	1 STOP, CLUTCH	41..	521 996501....	2 NUT 3/8-16 HEX FLG NYLOC
15..	532 159955....	1 EXHAUST TUBE, RT	42..	539 112899..	15 NUT 5/16-18 HEX FLG NYLOC
16..	532 160589....	1 EXHAUST TUBE, LT	43..	521 991101....	1 NUT 1/2-13 HEX FLG NYLOC
17..	539 131604....	1 MUFFLER ASM TWIN	44..	539 990613....	1 NUT 3/8-16 HEX WHIZLK
18..	575 229902....	1 BRKT, MUFFLER, BLK	45..	539 990247....	1 WASHER 7/16 SLW
19..	539 101714....	1 SOLENOID	46..	539 990053....	2 WASHER 1/4 INT TOOTH LK
20..	539 101362....	1 HOSE, DRAIN	47..	539 990188....	2 WASHER 5/16 SAE FLT
21..	539 101364....	1 PLUG, OIL	48..	539 109554....	2 WASHER 1/2 FLT
22..	539 912757....	1 KEY 1/4 SQ x 1 1/4	49..	539 109562....	1 WASHER 3/8 x 3/4
23..	539 102759....	3 INSULATOR	50..	539 111897....	1 WASHER, SPECIAL
24..	539 101363....	1 CLAMP	51..	539 115528....	1 WASHER 1/2" BELLEVILLE
25..	532 165931....	2 GASKET, MUFFLER	52..	539 104763....	4 RETAINER, U TYPE 5/16-18
26..	539 990302....	2 SCREW 1/4-20 x 8 THD FRM	NOT SHOWN			
27..	539 990209....	2 HCS 5/16-18 x 1	576 413201....	1 PIGTAIL, MZ	

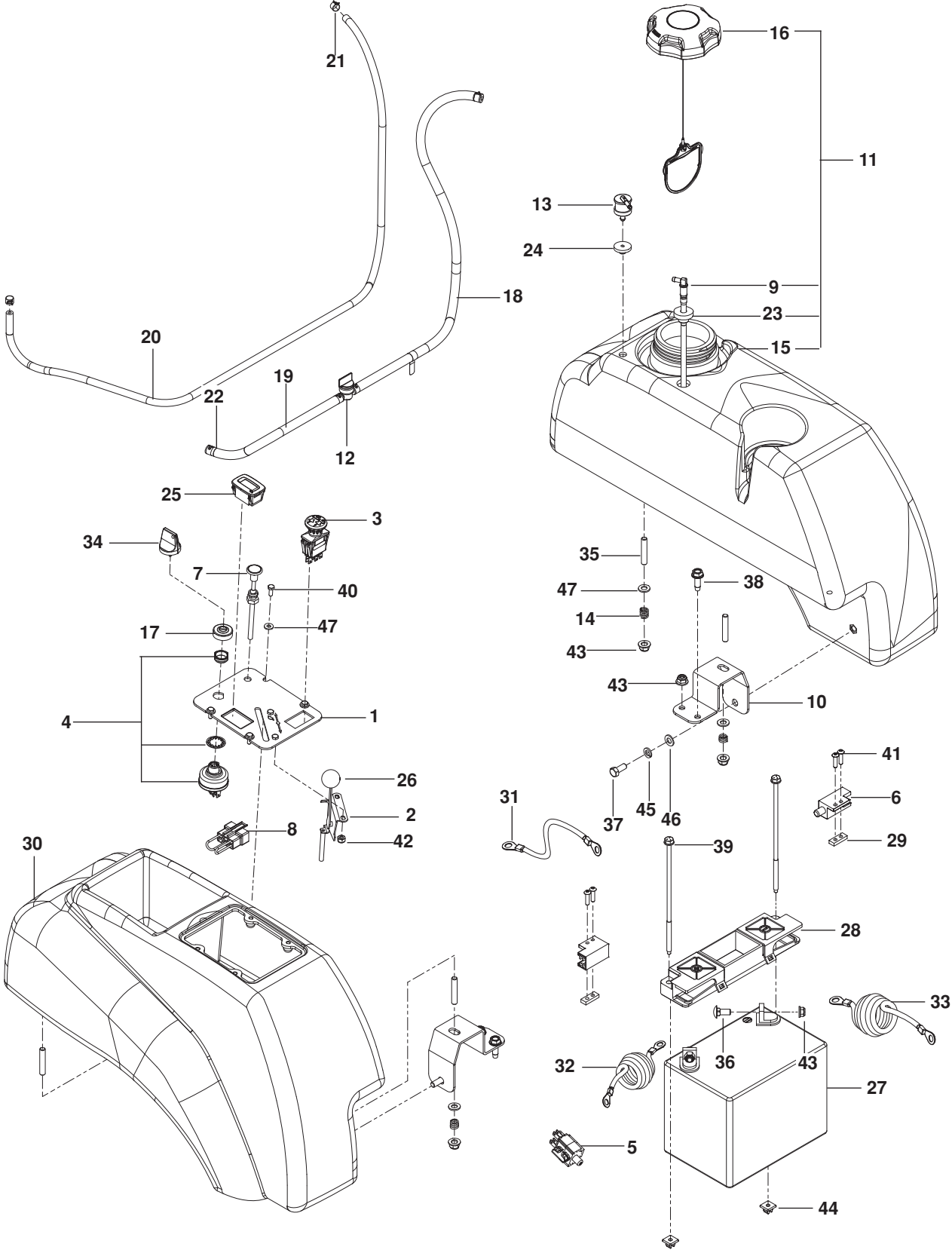
STEERING



STEERING

ITEM	PART NO.	QTY.	DESCRIPTION	ITEM	PART NO.	QTY.	DESCRIPTION
1..	539 132009....	1	LEVER w/ GRIP RT	16..	539 116690....	2	ROD END LT
2..	539 132010....	1	LEVER w/ GRIP LT	17..	539 115729....	2	ROD END RT
3..	539 130894....	2	GRIP, FOAM	18..	539 990627....	5	HCS $\frac{5}{16}$ -18 x $1\frac{1}{4}$
4..	577 251701....	2	BRACKET, CONTROL	19..	539 101332....	2	HCS $\frac{1}{2}$ -13 x $2\frac{3}{4}$
5..	539 131518....	4	BEARING, FLANGE	20..	539 976935....	4	HCS $\frac{5}{16}$ -18 x $1\frac{1}{2}$
6..	576 140301....	2	LEVER, CONTROL	21..	576 850402....	2	SCREW $\frac{5}{16}$ -18 X $1\frac{3}{4}$ BTN HD
7..	577 420001....	2	LEVER, HANDLE	22..	525 464701....	8	HHFS $\frac{5}{16}$ -18 X $\frac{3}{4}$
8..	577 252401....	2	SPACER, PIVOT CONTROL	23..	525 544001....	4	HHFS $\frac{5}{16}$ -18 x $1\frac{1}{4}$ TPBLT
9..	539 102720....	2	DAMPENER	24..	539 990223....	4	NUT $\frac{5}{16}$ -24 HEX
10..	577 251801	2	BLOCK, TRACKING	25..	539 108010....	2	NUT $\frac{1}{2}$ -13 HEX JAM NYL GR2
11..	539 102845....	1	SPRING	26..	539 991073....	2	NUT $\frac{5}{16}$ -24 HEX JAM LH
12..	576 850301....	1	SPRING	27..	539 112899..	10	NUT $\frac{5}{16}$ -18 HEX FLG NYLOC
13..	539 131799....	1	KNOB	28..	539 990717....	6	NUT $\frac{5}{16}$ -18 HEX NYLOC
14..	574 811401....	2	ROD, MOTION CONTROL	29..	539 990585....	4	NUT $\frac{5}{16}$ -18 HEX WHIZLK
15..	539 116689....	2	COUPLER, ROD END	30..	539 990188..	12	WASHER $\frac{5}{16}$ SAE FLT

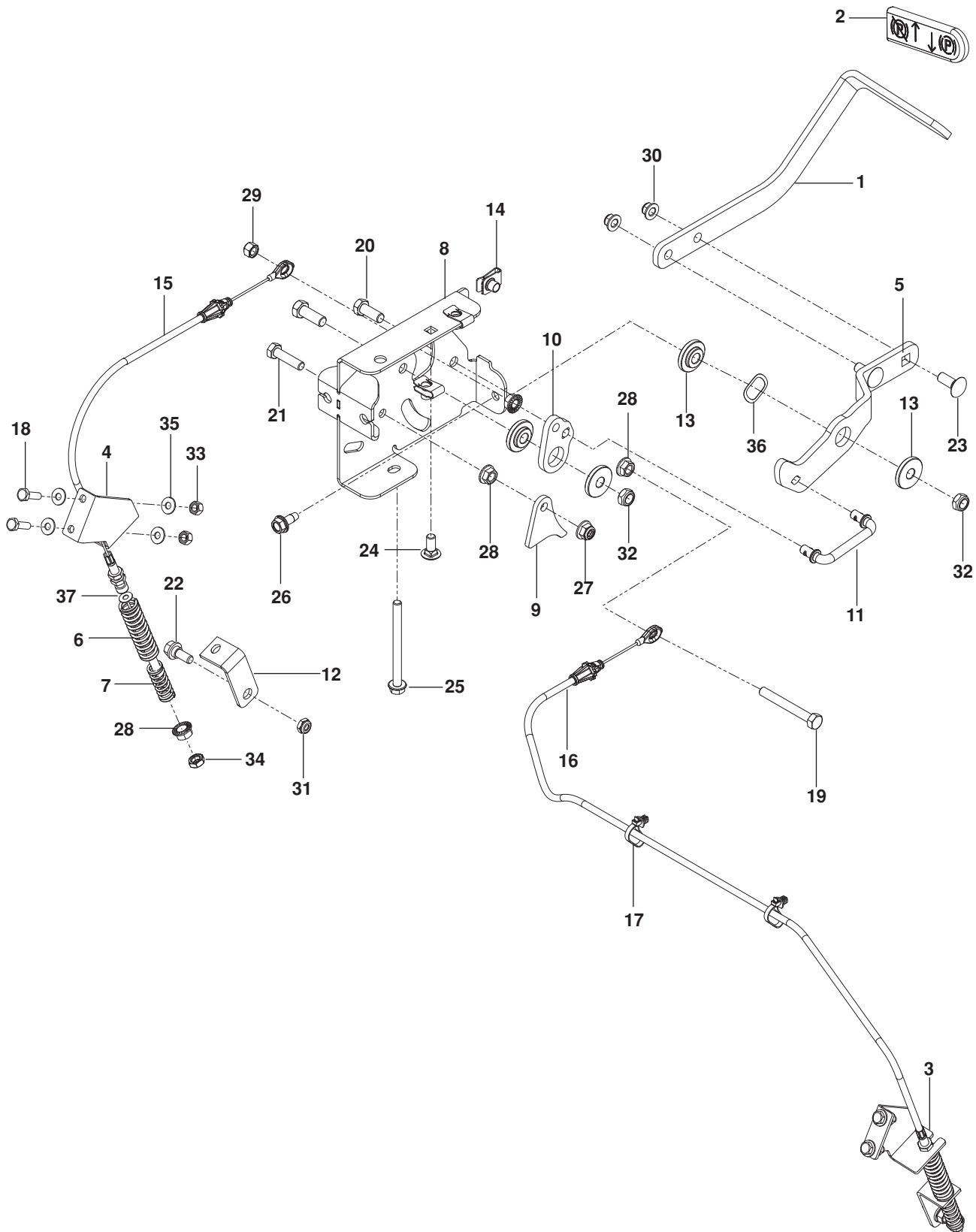
IGNITION



IGNITION

ITEM	PART NO.	QTY.	DESCRIPTION	ITEM	PART NO.	QTY.	DESCRIPTION
1..	574 841204....	1 PLATE, CONSOLE, BLK	26..	539 133049....	1 KNOB
2..	539 112438....	1 CABLE, THROTTLE	27..	539 102436....	1 BATTERY
3..	539 131627....	1 SWITCH, PTO 10 AMP	28..	539 107628....	1 BATTERY HOLD DOWN
4..	574 455401....	1 SWITCH, IGNITION	29..	539 102678....	2 PLATE, TAPPED
5..	539 113792....	1 SWITCH, BRAKE	30..	539 107593....	1 CONSOLE, RT
6..	532 109553....	2 SWITCH, INTERLOCK	31..	539 104974....	1 CABLE, POSITIVE 31"
7..	539 113458....	1 CHOKE CONTROL	32..	539 102757....	1 CABLE, POSITIVE 8"
8..	575 321001....	1 PLUG, TIMER	33..	539 107645....	1 CABLE, NEGATIVE 32"
9..	576 469201....	1 FITTING, FUEL	34..	574 455501....	1 KEY, IGNITION
10..	539 131671....	2 SUPPORT, TANK, BLK	35..	539 102502....	6 STUD $\frac{5}{16}$ -18
11..	578 368102....	1 TANK ASSY LT	36..	539 990316....	2 RHSNB $\frac{5}{16}$ -18 x $\frac{3}{4}$
12..	539 916325....	1 VALVE, FUEL	37..	539 976934....	2 HCS $\frac{5}{16}$ -18 x $\frac{3}{4}$
13..	576 618101....	1 VALVE, FUEL CHECK	38..	539 113226....	3 BOLT $\frac{5}{16}$ -18 x 1 THD FRM
14..	539 102845....	6 SPRING	39..	539 107632....	2 BOLT $\frac{1}{4}$ x $7\frac{1}{2}$
15..	576 370101....	1 TANK, FUEL LT	40..	539 990411....	6 SCREW #10-24 x $\frac{1}{2}$ SLT
16..	575 018101....	1 FUEL CAP w /TETHER	41..	574 822701....	4 SCREW #10-24 x $\frac{3}{4}$ SKT HD
17..	539 103178....	1 CAP, IGNITION SWITCH NUT	42..	539 976977....	2 NUT #10-24 NYLOC
18..	539 107765....	1 HOSE, FUEL	43..	539 112899..	12 NUT $\frac{5}{16}$ -18 HEX FLANGE NYL
19..	539 932956....	1 HOSE, FUEL 10"	44..	539 107629....	2 NUT $\frac{1}{4}$ PUSH NYLON
20..	576 660602....	1 HOSE $\frac{3}{16}$ VAPOR 48"	45..	539 990187....	2 WASHER $\frac{5}{16}$ SLW
21..	575 436501....	2 CLAMP, HOSE	46..	539 990188....	8 WASHER $\frac{5}{16}$ SAE
22..	539 912222....	4 CLAMP, HOSE	47..	539 105408....	4 WASHER #10
23..	539 105245....	1 GROMMET, RUBBER	NOT SHOWN			
24..	576 618201....	1 GROMMET, CHECK VALVE	575 320901....	1 HARNESS, MAIN	
25..	532 401763....	1 HOUR METER	539 976856....	8 WIRE TIE	

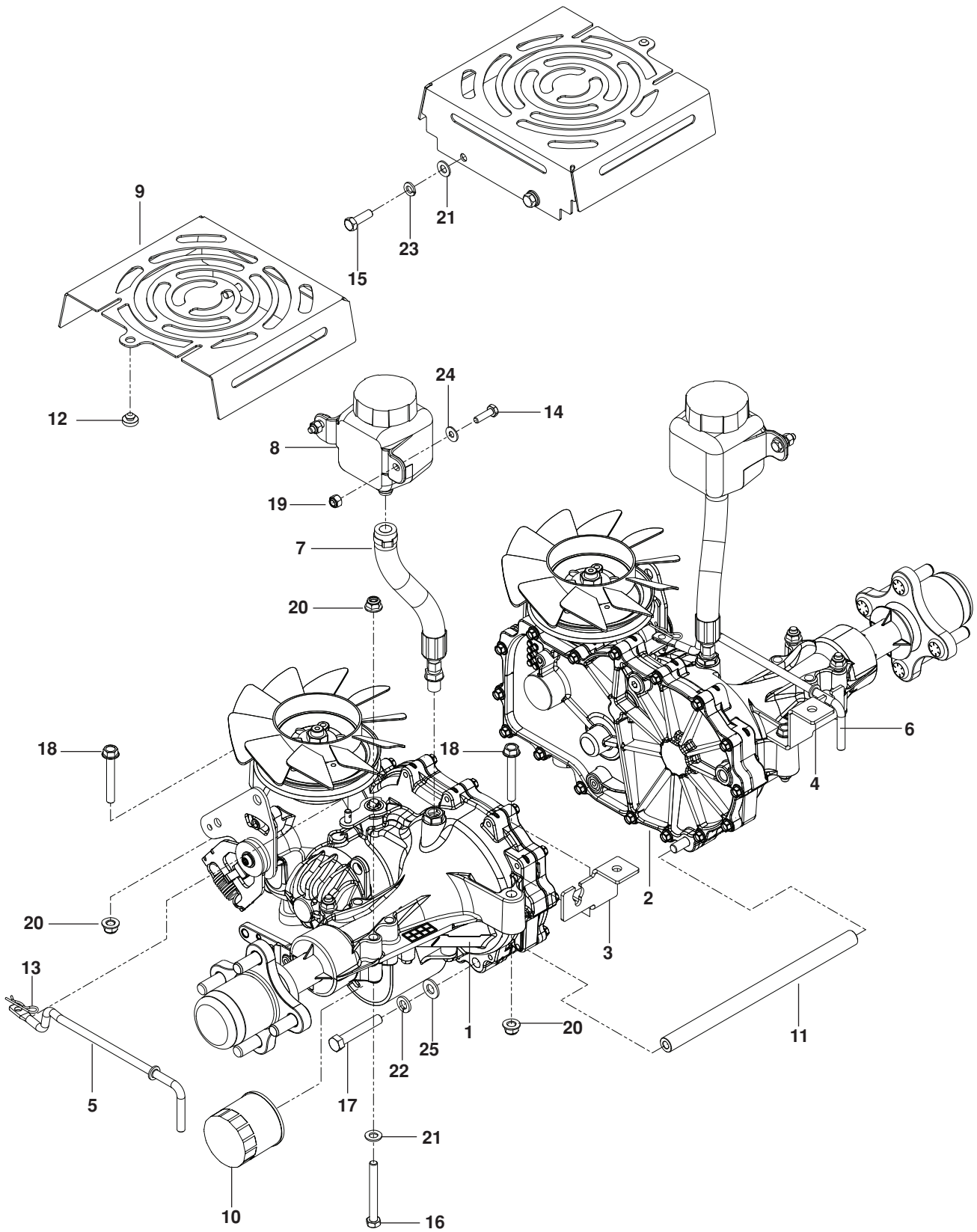
PARKING BRAKE



PARKING BRAKE

ITEM	PART NO.	QTY.	DESCRIPTION	ITEM	PART NO.	QTY.	DESCRIPTION
1..	539 132151....	1	ARM, BRAKE	20..	539 990563....	2	HCS $\frac{3}{8}$ -16 x 1
2..	539 105036....	1	GRIP, BRAKE HANDLE	21..	539 990209....	1	HCS $\frac{5}{16}$ -18 x 1
3..	575 229602....	1	BRACKET, RT BLK	22..	539 110303....	2	BOLT $\frac{5}{16}$ SHOULDER
4..	575 229702....	1	BRACKET, LT BLK	23..	539 990645....	2	RHSNB $\frac{3}{8}$ -16 x 1
5..	539 132423....	1	LEVER, BRAKE	24..	539 990316....	1	RHSNB $\frac{5}{16}$ -18 x $\frac{3}{4}$
6..	575 230201....	2	SPRING, RETURN	25..	539 131780....	1	HHFS $\frac{5}{16}$ -18 x $3\frac{3}{4}$
7..	575 230301....	2	SPRING, ENGAGEMENT	26..	539 107475....	1	BOLT $\frac{5}{16}$ -18 x $\frac{3}{4}$ THD FRM
8..	539 132158....	1	MOUNT, BRAKE	27..	539 112899....	4	NUT $\frac{5}{16}$ -18 FLANGE NYLOC
9..	539 132154....	1	ACTUATOR, SWITCH	28..	539 990585....	5	NUT $\frac{5}{16}$ -18 HEX WHIZLK
10..	539 132153....	1	BELLCRANK, BRAKE	29..	539 990717....	1	NUT $\frac{5}{16}$ -18 HEX NYLOC
11..	539 132424....	1	LINKAGE, BRAKE	30..	521 996501....	2	NUT $\frac{3}{8}$ -16 HEX FLG NYLOC
12..	575 229802....	2	BRACKET, BRAKE	31..	539 115617....	2	NUT $\frac{5}{16}$ HEX NYLOC
13..	539 132161....	4	BUSHING, BRAKE	32..	539 200282....	2	NUT $\frac{3}{8}$ -16 HEX JAM NYLOC
14..	539 104763....	3	RETAINER, U TYPE $\frac{5}{16}$ -18	33..	539 976978....	4	NUT $\frac{1}{4}$ -20 HEX NYLOC
15..	539 132173....	1	CABLE, BRAKE SHORT	34..	539 107897....	2	NUT $\frac{5}{16}$ -18 HEX JAM
16..	539 132174....	2	CABLE, BRAKE LONG	35..	539 990055....	8	WASHER $\frac{1}{4}$ SAE FLT
17..	505 280001....	2	TIE w/ CLIP	36..	539 133007....	1	WASHER .825 WAVE
18..	539 990643....	4	HCS $\frac{1}{4}$ -20 x $\frac{7}{8}$	37..	539 990122....	2	WASHER $\frac{3}{8}$ SAE
19..	539 108396....	1	HCS $\frac{5}{16}$ -18 x $2\frac{1}{2}$ TPBLT				

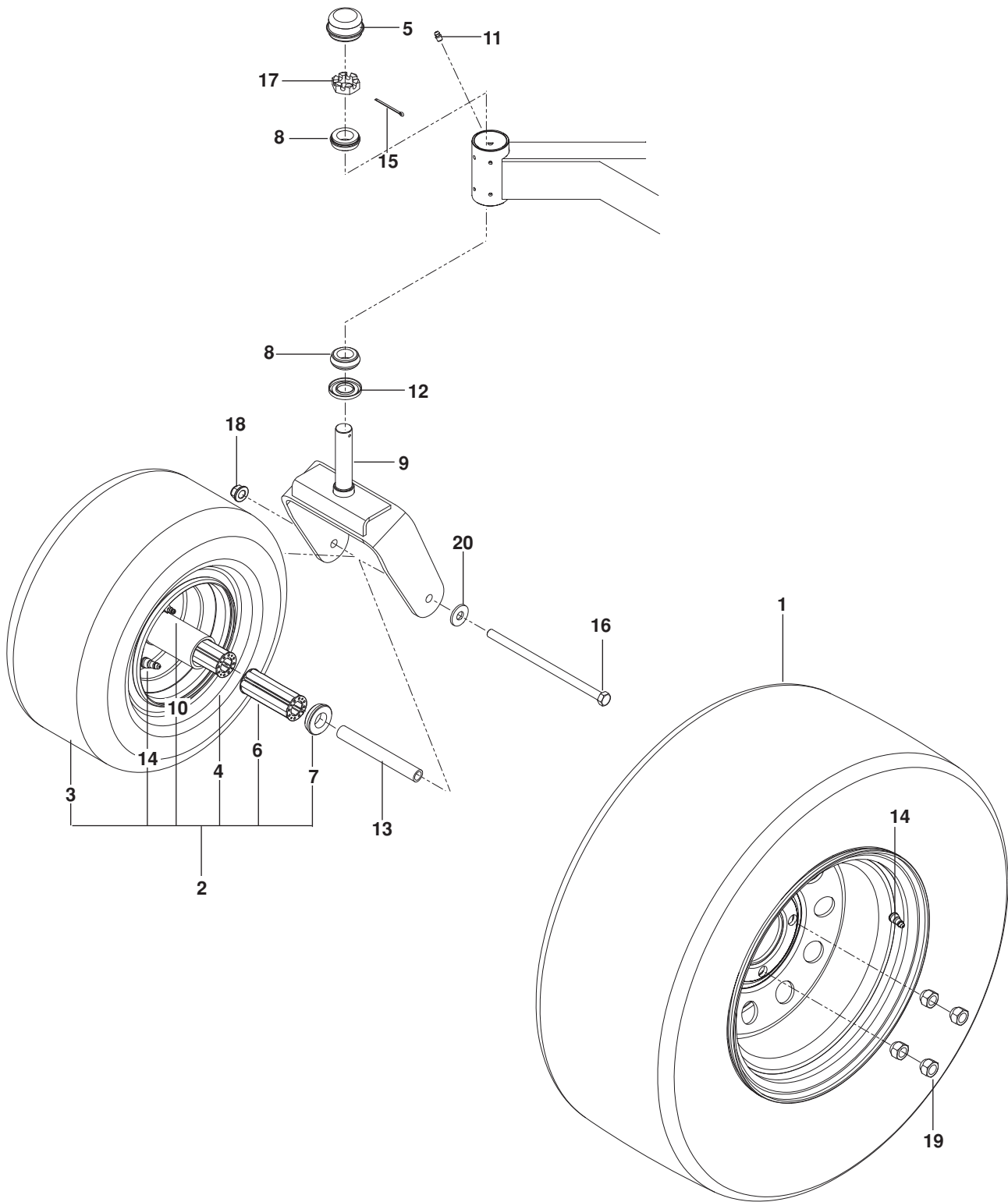
HYDRAULIC PUMP-MOTOR



HYDRAULIC PUMP-MOTOR

ITEM	PART NO.	QTY.	DESCRIPTION	ITEM	PART NO.	QTY.	DESCRIPTION
1..	577 227702....	1 TRANS, ZT-3100, LT	14..	539 990643....	4 HCS 1/4-20 x 7/8
2..	577 227701....	1 TRANS, ZT-3100, RT	15..	539 990209....	4 HCS 5/16-18 x 1
3..	575 017102....	1 BRACKET, TRANS, LT	16..	539 101721....	4 HCS 5/16-18 x 2 3/4
4..	575 017002....	1 BRACKET, TRANS, RT	17..	539 108551....	2 HCS 3/8-16 x 2 1/2 GR8
5..	539 131616....	1 LINKAGE, BYPASS LT	18..	574 233801....	4 HHFS 5/16-18 x 2 1/4
6..	539 131618....	1 LINKAGE, BYPASS RT	19..	539 976978....	4 NUT 1/4-20 HEX NYLOC
7..	574 892101....	2 HOSE, EXPANSION	20..	539 112899....	8 NUT 5/16-18 HEX FLG NYLOC
8..	574 811301....	2 TANK, EXPANSION	21..	539 990188....	8 WASHER 5/16 SAE FLT
9..	575 778202....	2 COVER, FAN	22..	539 990118....	2 WASHER 3/8 SPLT LK
10..	539 113466....	2 FILTER, HYDRO	23..	539 990187....	4 WASHER 5/16 SLW
11..	574 868501....	1 TUBE, SPACER	24..	539 990055....	4 WASHER 1/4 SAE FLT
12..	539 102587....	2 GROMMET, BUMPER	25..	539 990122....	2 WASHER 3/8 SAE FLT
13..	539 976988....	2 HAIRPIN COTTER				

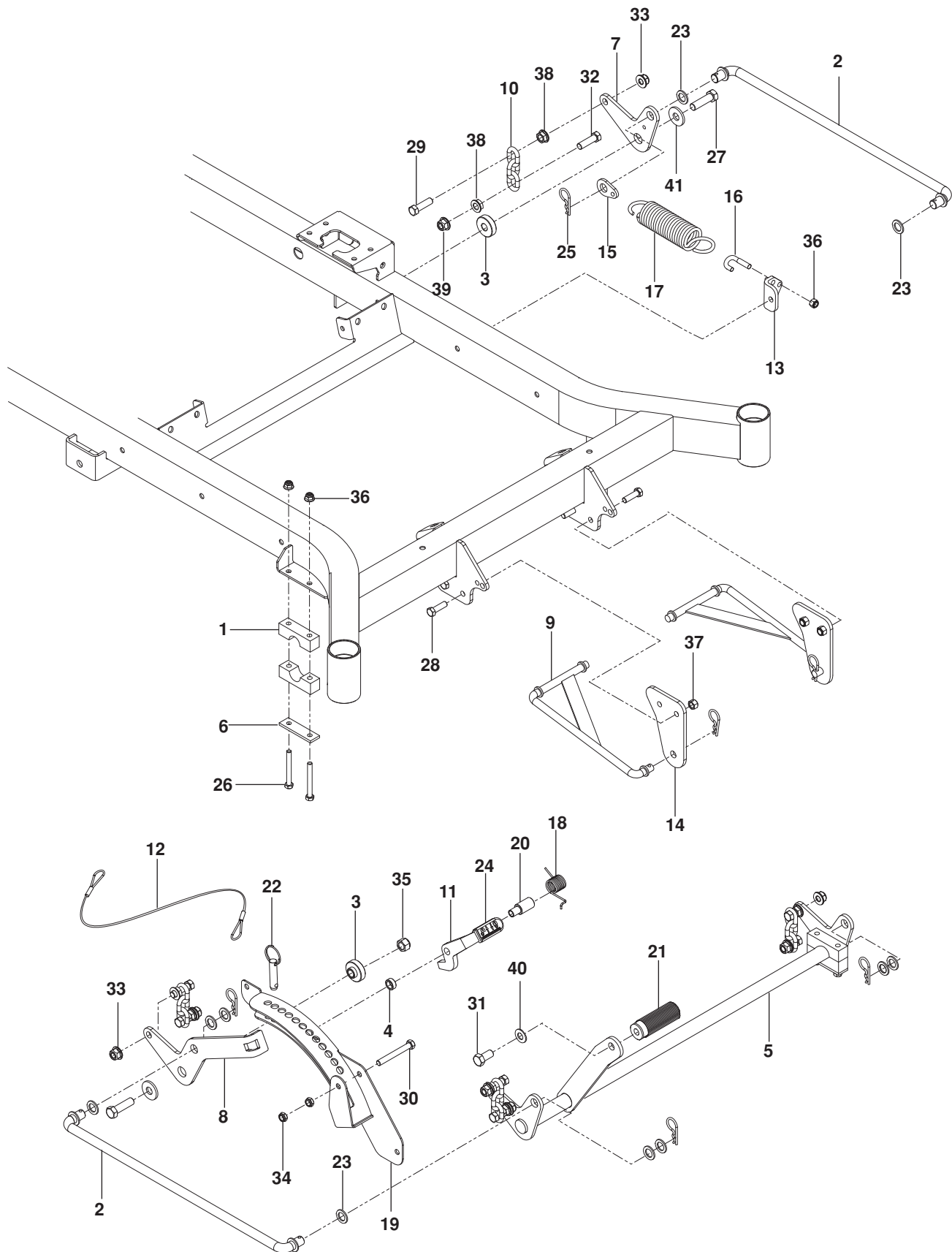
WHEELS



WHEELS

ITEM	PART NO.	QTY.	DESCRIPTION	ITEM	PART NO.	QTY.	DESCRIPTION
1..	580 747001....2	WHEEL ASSY 22 x 10-10	11..	539 101474....2	ZERK
2..	575 348701....2	WHEEL ASSY 13 x 6.5	12..	539 102851....2	SEAL
3..	575 622201....2	TIRE 13 x 6.5	13..	575 334901....2	SPACER, PIVOT
4..	575 622101....2	RIM, CASTER TIRE	14..	539 912234....2	AIR VALVE
5..	539 102535....2	CAP, GREASE	15..	539 102889....2	COTTER PIN 1/8 x 2
6..	539 105307....4	BEARING 3/4 CAGE	16..	539 105517....2	HCS 1/2-13 x 9 1/2
7..	539 102484....4	BEARING, FLANGED	17..	539 102852....2	NUT 1"-14 SLOTTED JAM
8..	539 102543....4	BEARING, ROLLER TAPERED	18..	521 991101 ...2	NUT 1/2-13 HEX FLG NYLOC
9..	575 329202....2	YOKE, CASTER, ORG	19..	539 101173....8	NUT 1/2-20 LUG
10..	539 103300....2	ZERK	20..	539 109554....2	WASHER 1/2 FLT

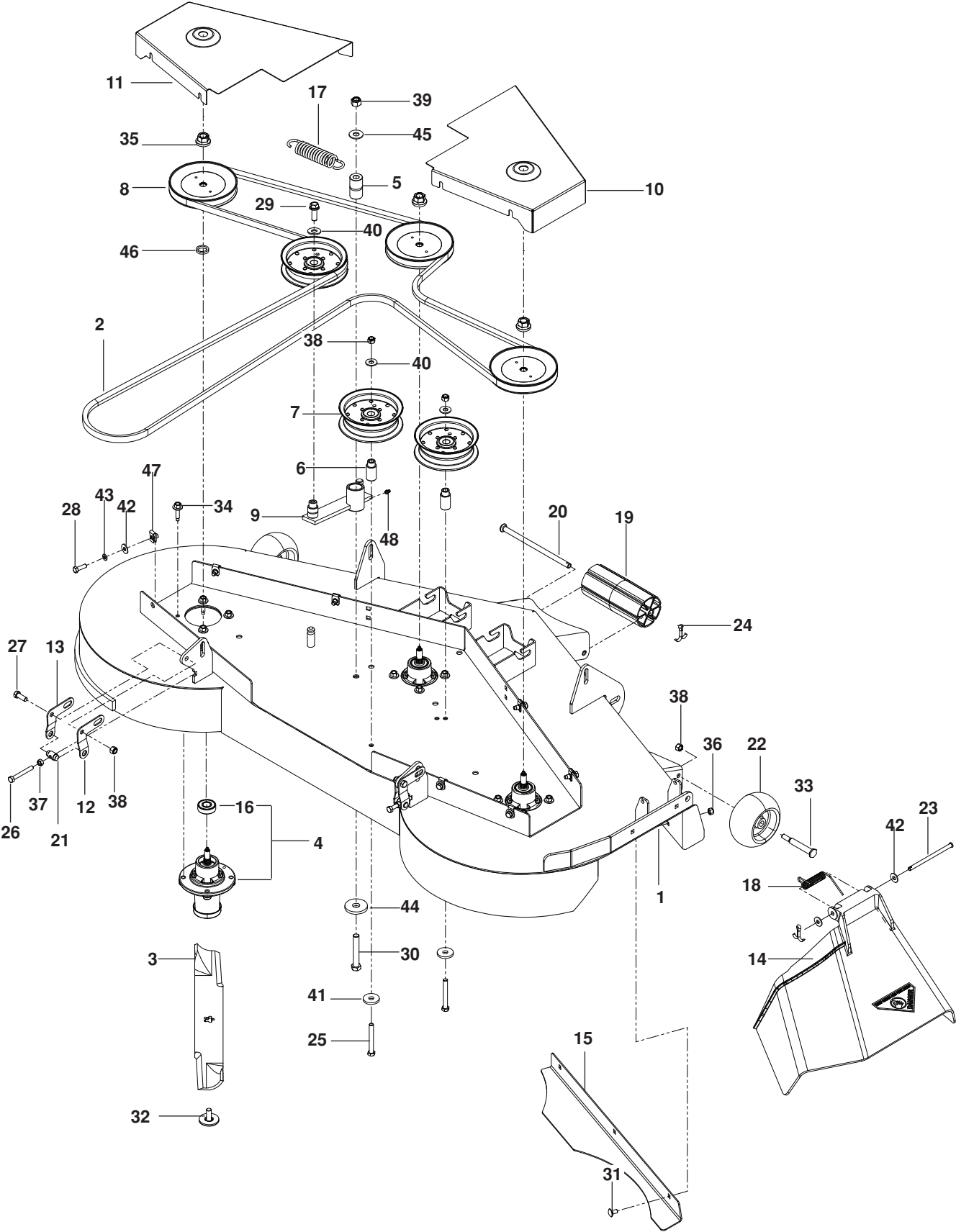
MOWER LIFT / DECK LIFT



MOWER LIFT / DECK LIFT

ITEM	PART NO.	QTY.	DESCRIPTION	ITEM	PART NO.	QTY.	DESCRIPTION
1..	539 104808....4	PILLOW BLOCK	21..	510 408301....1	PEDAL, FOOT
2..	539 110808....2	LINK, DECK LIFT	22..	539 132182....1	PIN 1/2 x 1 1/2 DETENT RING
3..	539 118937....2	SPACER, IDLER	23..	539 991043..10	BUSHING .625
4..	539 131861....1	SPACER	24..	539 132851....1	GRIP
5..	581 215202....1	SHAFT, FRONT LIFT BLK	25..	539 115501....6	PIN, COTTER 1 3/4
6..	539 104807....2	REINFORCEMENT BAR	26..	539 101721....4	HCS 5/16-18 x 2 3/4
7..	539 131897....1	BELLCRANK, RR, LIFT BLK	27..	539 108181....2	HCS 1/2-13 x 1 3/4 GR 8
8..	539 131853....1	BELLCRANK, RR, RT BLK	28..	539 976941....4	HCS 3/8-16 X 1 1/4
9..	539 112223....2	LINKAGE, STRUT	29..	539 101175....4	HCS 7/16-14 x 1 1/2
10..	539 109693....4	LIFT CHAIN-3 LINK	30..	539 101341....1	HCS 3/8-16 x 3
11..	539 131566....1	LATCH, TRANSPORT	31..	539 990646....1	HCS 1/2-13 x 1 3/4
12..	539 105059....1	LANYARD	32..	539 108073....4	HCS 7/16-14 x 1 3/4
13..	539 131791....1	MOUNT, SPRING	33..	539 132019....8	NUT 7/16-14 HEX WHIZ LK
14..	539 132017....2	MOUNT, STRUT	34..	539 200282....2	NUT 3/8-16 HEX JAM NYLOC
15..	539 131792....1	TAB, SPRING	35..	539 101331....2	NUT 1/2 HEX NYLOC
16..	539 112896....1	J-BOLT	36..	539 112899....5	NUT 5/16-18 HEX FLG NYLOC
17..	539 102642....1	SPRING	37..	539 976979....4	NUT 3/8-16 HEX NYLOC
18..	539 132734....1	SPRING, TORSION	38..	539 102582....8	NUT 7/16-14 HEX WHIZ LK
19..	539 131850....1	HEIGHT ADJUST, DECK	39..	539 102843....1	WASHER 7/16 SPRING
20..	539 131860....1	PIVOT LATCH, TRANSPORT	40..	539 109554....2	WASHER 1/2 FLT

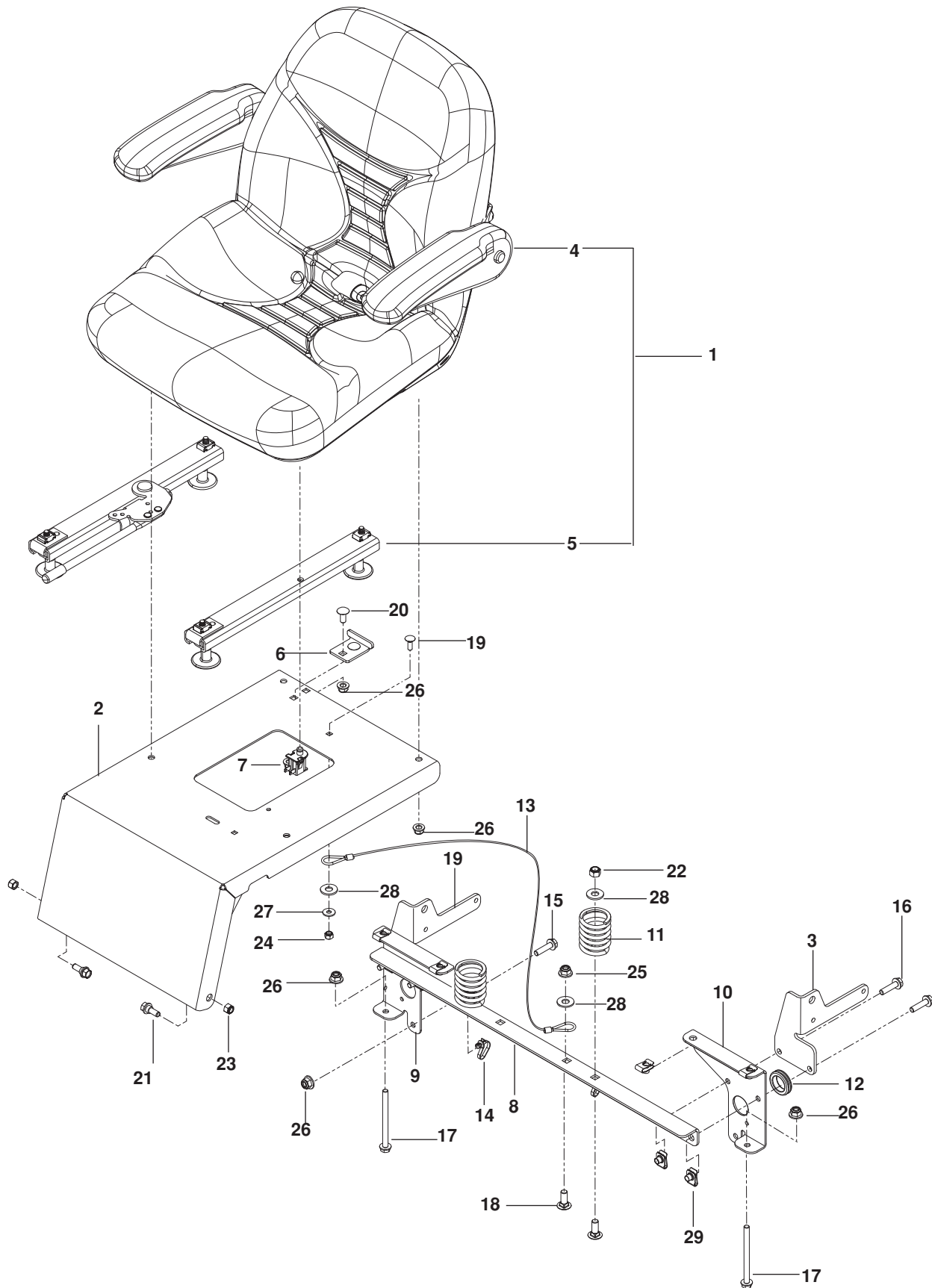
MOWER DECK / CUTTING DECK



MOWER DECK / CUTTING DECK

ITEM	PART NO.	QTY.	DESCRIPTION	ITEM	PART NO.	QTY.	DESCRIPTION
1..	581 505401....	1 DECK w/ SAFETY DECALS	25..	539 101341....	2 HCS $\frac{3}{8}$ -16 x 3
2..	539 104335....	1 BELT, DECK	26..	539 108396....	2 HCS $\frac{5}{16}$ -18 x 2 $\frac{1}{2}$ TPBLT
3..	510 417901....	3 BLADE, 21"	27..	539 990563....	2 HCS $\frac{3}{8}$ -16 x 1
4..	539 112170....	3 HOUSING ASSEMBLY	28..	539 976934....	8 HCS $\frac{5}{16}$ -18 x $\frac{3}{4}$
5..	539 103427....	1 BUSHING, PIVOT	29..	539 990582....	1 HCS $\frac{3}{8}$ -16 x 1 WHIZLK
6..	539 112169....	2 BUSHING, IDLER	30..	539 103433....	1 HCS $\frac{1}{2}$ -13 x 3 $\frac{1}{4}$
7..	539 132728....	3 PULLEY, IDLER	31..	539 990799....	3 RHSNB $\frac{5}{16}$ -18 x $\frac{5}{8}$
8..	539 113300....	3 PULLEY	32..	532 193003....	3 BOLT $\frac{7}{16}$ BLADE
9..	539 112198....	1 ARM, IDLER	33..	539 107608....	2 BOLT, SHOULDER
10..	539 113319....	1 BELT SHIELD, RT	34..	539 107630..	12 SCREW, WSH HEAD
11..	539 113322....	1 BELT SHIELD, LT	35..	539 107590....	3 NUT $\frac{9}{16}$ TOP CENTER LOCK
12..	539 131857....	2 PITCH ADJUST, RT	36..	539 990717....	3 NUT $\frac{5}{16}$ -18 HEX NYLOC
13..	539 131858....	2 PITCH ADJUST, LT	37..	539 990196....	2 NUT $\frac{5}{16}$ -18 HEX
14..	539 110734....	1 CHUTE, DISCHARGE	38..	539 976979....	6 NUT $\frac{3}{8}$ -16 HEX NYLOC
15..	539 113317....	1 PLATE, CONFINEMENT	39..	539 101331....	1 NUT $\frac{1}{2}$ HEX NYLOC
16..	539 112050....	3 BEARING, BALL	40..	539 990517....	2 WASHER $\frac{3}{8}$ FLAT STD
17..	539 103256....	1 SPRING	41..	539 106504....	2 WASHER, HEAVY
18..	539 110735....	1 SPRING, TORSION	42..	539 990692..	10 WASHER $\frac{5}{16}$ STD FLT
19..	532 176066....	1 ROLLER, NOSE	43..	539 109600....	8 WASHER $\frac{5}{16}$ SPRING
20..	532 179127....	1 ROD, ROLLER, NOSE	44..	539 102243....	1 WASHER, SUPPORT
21..	539 131859....	2 TRUNION, PITCH	45..	539 990550....	1 WASHER $\frac{1}{2}$ STD FLT
22..	539 107610....	2 WHEEL, GAUGE	46..	539 107520....	3 WASHER-SPACER
23..	539 110736....	1 PIN $\frac{5}{16}$ CLEVIS	47..	539 104763....	8 RETAINER, U TYPE $\frac{5}{16}$ -18
24..	539 990365....	2 PIN, COTTER $\frac{1}{8}$ x $\frac{3}{4}$	48..	539 976998....	1 ZERK

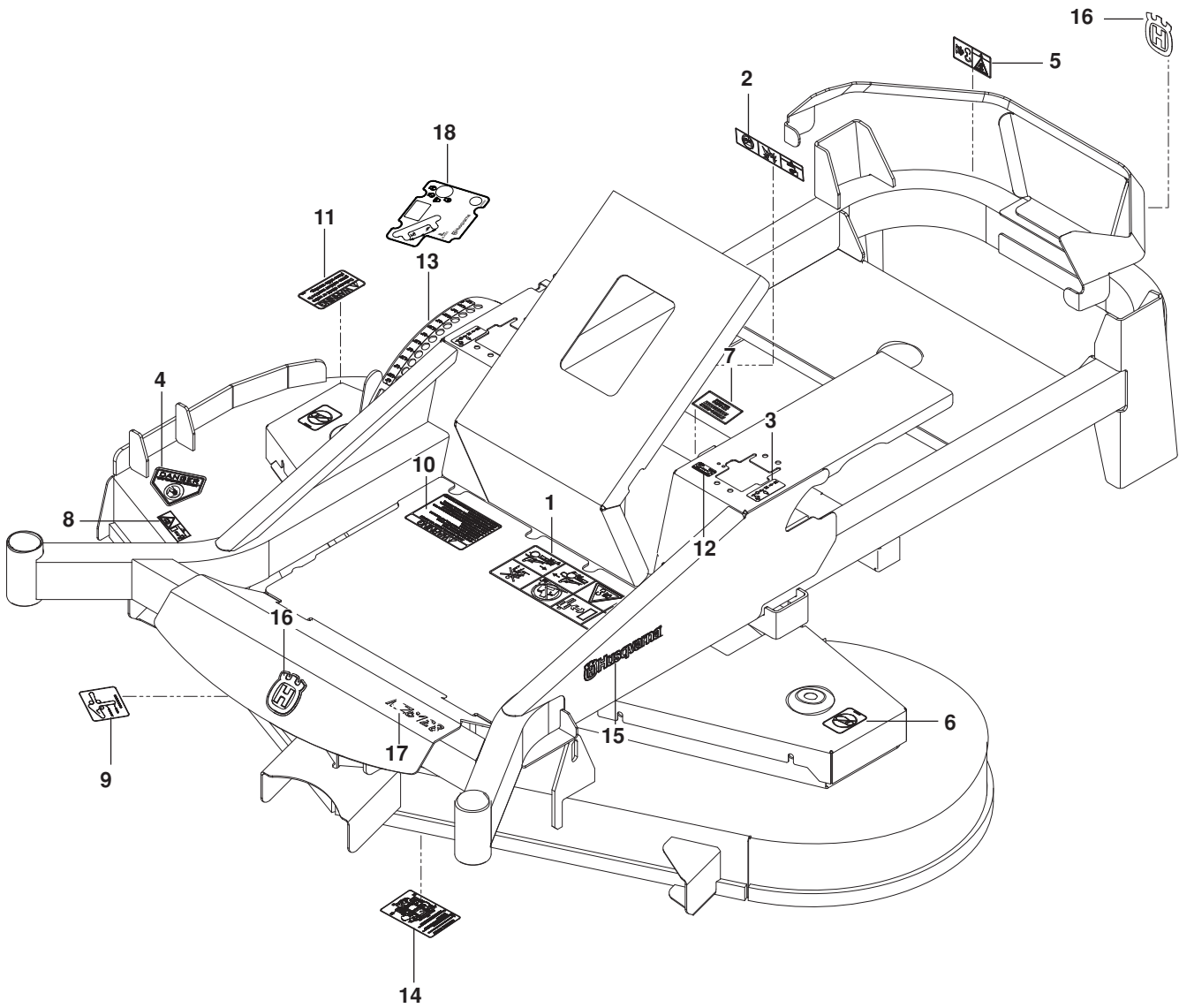
SEAT



SEAT

ITEM	PART NO.	QTY.	DESCRIPTION	ITEM	PART NO.	QTY.	DESCRIPTION
1..	539 130873....	1 SEAT ASSY	15..	525 464701....	2 HHFS $\frac{5}{16}$ -18 x $\frac{3}{4}$
2..	575 608601....	1 MOUNT, SEAT w/ DECAL	16..	525 544001....	4 HHFS $\frac{5}{16}$ -18 x $1\frac{1}{4}$ TPBLT
3..	575 017402....	2 MOUNT, SEAT BELT	17..	539 131780....	2 HHFS $\frac{5}{16}$ -18 x $3\frac{3}{4}$
4..	539 112036....	1 ARM REST, LT	18..	539 990645....	3 RHSNB $\frac{3}{8}$ -16 x 1
	539 112035....	1 ARM REST, RT	19..	539 990074....	1 RHSNB $\frac{1}{4}$ -20 x $\frac{3}{4}$
5..	539 112037....	1 RAIL SET, SEAT	20..	539 109100....	2 RHSNB $\frac{5}{16}$ -18 x $\frac{3}{4}$
6..	539 130793....	1 DECK STOP	21..	539 130896....	2 BOLT $\frac{5}{16}$ -18 HEX HD
7..	539 119741....	1 SWITCH, SEAT	22..	539 976979....	2 NUT $\frac{3}{8}$ -16 HEX NYLOC
8..	539 131656....	1 SUPPORT, SEAT	23..	539 990717....	2 NUT $\frac{5}{16}$ -18 HEX NYLOC
9..	575 224002....	1 SUPPORT, RT	24..	539 976978....	1 NUT $\frac{1}{4}$ -20 HEX NYLOC
10..	575 224102....	1 SUPPORT, LT	25..	521 996501....	1 NUT $\frac{3}{8}$ -16 FLG HEX NYLOC
11..	539 110300....	2 SPRING, SEAT	26..	539 112899..	10 NUT $\frac{5}{16}$ -18 FLANGE NYLOC
12..	539 105974....	1 GROMMET RUBBER	27..	539 990598....	1 WASHER $\frac{1}{4}$ FLT
13..	539 103247....	1 LANYARD, SEAT	28..	539 990517....	4 WASHER $\frac{3}{8}$ STD FLT
14..	505 280001....	2 TIE w/ CLIP	29..	539 104763....	8 RETAINER, U TYPE $\frac{5}{16}$ -18

DECALS



DECALS

ITEM	PART NO.	QTY.	DESCRIPTION	ITEM	PART NO.	QTY.	DESCRIPTION
1..	539 107959 ...	1	...DECAL, WARNING	10..	539 113213 ...	1	...DECAL, WARNING
2..	539 105745 ...	1	...DECAL, BATTERY WARNING	11..	539 113224 ...	1	...DECAL, DEFLECTOR
3..	539 103333 ...	2	...DECAL, MOTION CONTROL	12..	539 110974 ...	2	...DECAL, TRACKING
4..	539 913010 ...	1	...DECAL, BLADE WARNING	13..	539 132039 ...	1	...DECAL, HEIGHT ADJUST
5..	539 105744 ...	1	...DECAL, DANGER BLT DRIVE	14..	539 132187 ...	1	...DECAL, SERVICE
6..	539 105743 ...	2	...DECAL, NO STEP	15..	532 429196 ...	2	...DECAL, HUSQVARNA
7..	574 815501....	1DECAL, HYDROGEAR	16..	532 428676 ...	2DECAL, CROWN H
8..	539 105746 ...	1	...DECAL, SEVERING	17..	521 988002....	1DECAL, MZ6128
9..	539 112620 ...	1	...DECAL, BELT ROUTING	18..	574 841103....	1DECAL, CONSOLE