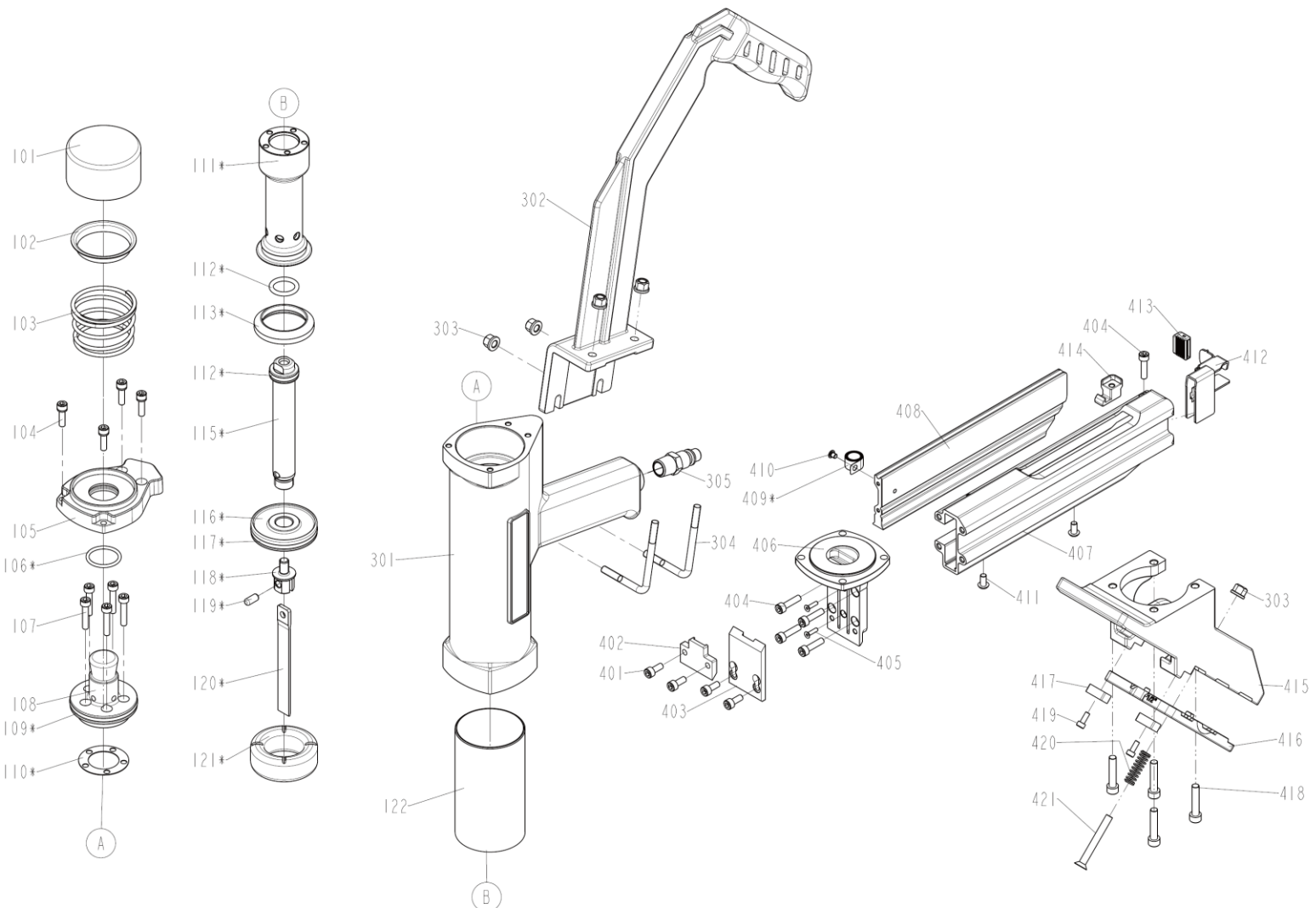


PNEUMATIC TOOL PARTS LIST

■ FLOORING STAPLER
Model N 5010AB

2019 • 08 • 19
(E1)



STANDARD ACCESSORIES

N5010AB

ITEM NO.	CODE NO.	DESCRIPTION	NO. USED	REMARKS
	330-631	Mallet		
	943-277	Hex. Bar Wrench 3mm		
	944-458	Hex. Bar Wrench 4mm		
	944-459	Hex. Bar Wrench 5mm		
	872-422	Hex. Bar Wrench 6mm		
	875-769	Safety Glasses		
	877-153	Air Tool Oil		

OPTIONAL ACCESSORIES

ITEM NO.	CODE NO.	DESCRIPTION	NO. USED	REMARKS
	04724HHPT	15.5 Gauge 1-1/2" Floor Staples		
	04723HHPT	15.5 Gauge 1-3/4" Floor Staples		
	04722HHPT	15.5 Gauge 1-1/2" Floor Staples		

