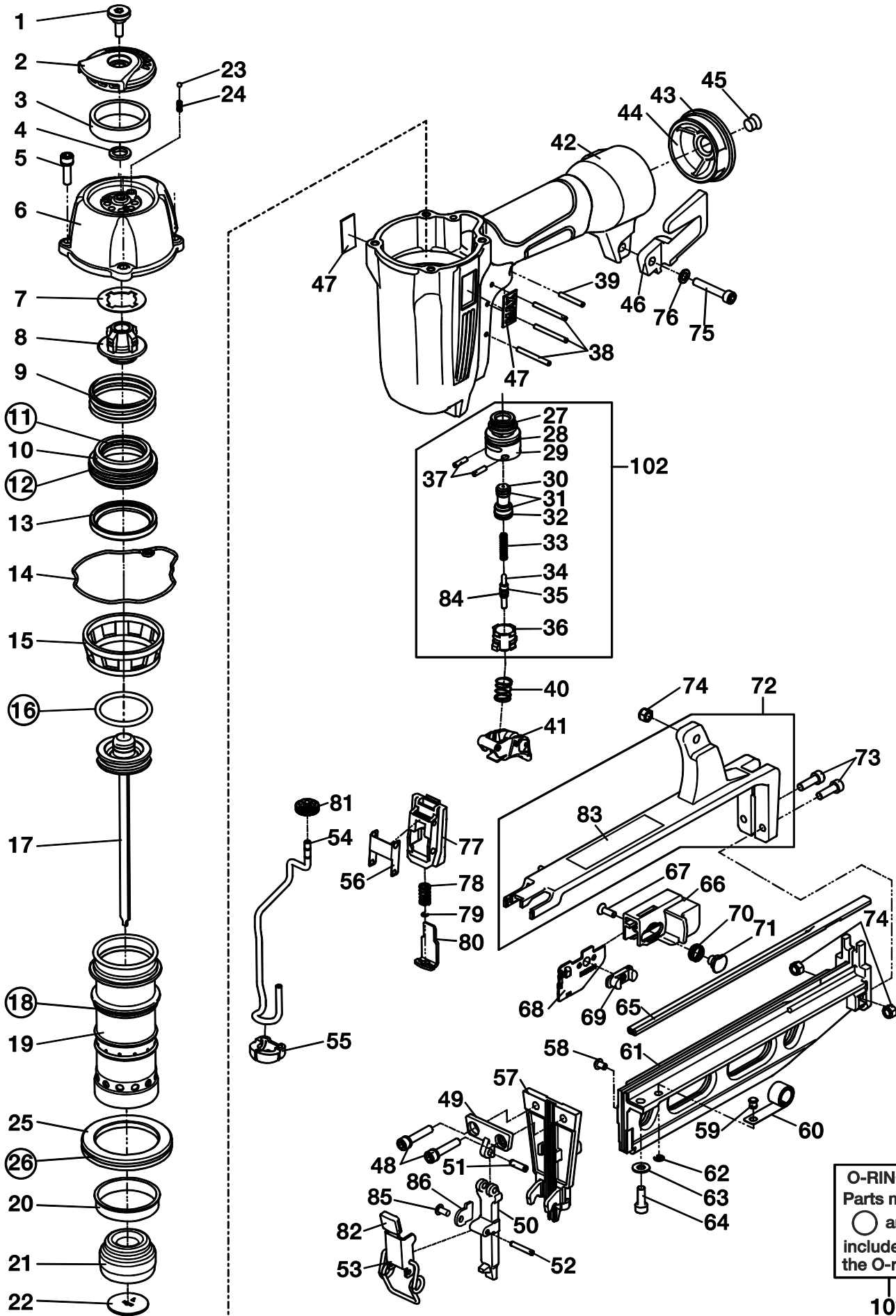


NF565A/16

**EXPLODED
VIEW AND SPARE PARTS LIST**

**SCHEMA ECLATE ET LISTE DES
PIECES DE RECHANGE**

**DESPIECE DE LA MAQUINA Y LISTA
DE RECAMBIOS**



Tool Model	Part NO	Part Code	Description
NF565A/16	1	TA19716	EXHAUST SCREW
NF565A/16	2	TA19718	EXHAUST COVER
NF565A/16	3	TA19719	EXHAUST FILTER
NF565A/16	4	TA19717	EXHAUST SPACER
NF565A/16	5	TA19016	HEX.SOC.HD.CAP SCREW
NF565A/16	6	TA19476	CYLINDER CAP
NF565A/16	7	TA19477	PISTON STOP WASHER
NF565A/16	8	TA19478	PISTON STOP
NF565A/16	9	TA19479	COMPRESSION SPRING 9479
NF565A/16	10	TA19480	HEAD VALVE PISTON
NF565A/16	11	TA19481	O-RING 9481
NF565A/16	12	TA19482	O-RING 9482
NF565A/16	13	TA19483	CYLINDER SEAL
NF565A/16	14	TA19484	CYLINDER CAP SEALR
NF565A/16	15	TA19802	CYLINDER WASHER(AFTER)
NF565A/16	16	HH11155	O-RING 1AP32
NF565A/16	17	TA19908	MAIN PISTON UNIT
NF565A/16	18	TA19615	O-RING 9492
NF565A/16	19	TA19488	CYLINDER
NF565A/16	20	TA19489	CHECK VALVE
NF565A/16	21	TA19529	BUMPER
NF565A/16	22	TA19490	NOZZLE
NF565A/16	23	TA19795	STEEL BALL
NF565A/16	24	TA19794	COMPRESSION SPRING 979
NF565A/16	25	TA19491	CYLINDER RING
NF565A/16	26	TA19487	O-RING 9487
NF565A/16	27	TA19738	O-RING 9738
NF565A/16	28	TA19739	O-RING 9739
NF565A/16	29	TA19740	TRIGGER VALVE HOUSING
NF565A/16	30	TA19741	PILOT VALVE
NF565A/16	31	TA19742	O-RING 9742
NF565A/16	32	TA19743	O-RING 9743
NF565A/16	33	TA19744	COMPRESSION SPRING 974
NF565A/16	34	TA19745	TRIGGER VALVE STEM
NF565A/16	35	TA19159	O-RING 9159
NF565A/16	36	TA19746	TRIGGER VALVE CAP
NF565A/16	37	TA19747	SPRING PIN 9747
NF565A/16	38	TA19749	SPRING PIN 9749
NF565A/16	39	TA19748	SPRING PIN 9748
NF565A/16	40	TA19750	COMPRESSION SPRING 975
NF565A/16	41	TA19751	TRIGGER UNIT
NF565A/16	42	TA70403	FRAME UNIT
NF565A/16	43	TA19495	O-RING 9495
NF565A/16	44	TA19496	END CAP
NF565A/16	46	TA19497	HOOK
NF565A/16	47	TA18930	NAME PLATE
NF565A/16	48	TA19498	HEX.SOC.HD.CAP SCREW A
NF565A/16	49	TA19499	DRIVER GUIDE B
NF565A/16	50	TA19500	DRIVER GUIDE A
NF565A/16	51	TA19501	SPIRAL PIN 9501
NF565A/16	52	TA19502	SPIRAL PIN 9502
NF565A/16	53	TA19776	FRONT LATCH

Tool Model	Part NO	Part Code	Description
NF565A/16	54	TA19504	CONTACT ARM B
NF565A/16	55	TA19505	CONTACT TOP
NF565A/16	56	TA19506	ARM GUIDE A
NF565A/16	57	TA19507	NOSE
NF565A/16	58	TA19508	HEX.SOC.BUTTON HD.SCRE
NF565A/16	59	TA19509	STEP PIN 9509
NF565A/16	60	TA19510	SPIRAL SPRING
NF565A/16	61	TA19511	MAGAZINE A
NF565A/16	62	TA19341	E-RING
NF565A/16	63	TA19512	WASHER
NF565A/16	64	TA19779	HEX.SOC.HD.CAP SCREW
NF565A/16	65	TA19513	NAIL COVER
NF565A/16	66	TA19514	PUSHER HOLDER
NF565A/16	67	TA19515	FLAT HD.SCREW
NF565A/16	68	TA19516	PUSHER
NF565A/16	69	TA19517	PUSHER LOCK A
NF565A/16	70	TA19518	COMPRESSION SPRING 9518
NF565A/16	71	TA19519	PUSHER LOCK B
NF565A/16	72	TA81294	MAGAZIN ASSY (CE)
NF565A/16	73	TA19521	HEX.SOC.HD.CAP SCREW
NF565A/16	74	TA19777	NUT
NF565A/16	75	TA19522	HEX.SOC.HD.CAP SCREW
NF565A/16	76	TA19760	WASHER
NF565A/16	77	TA19523	ARM GUIDE B
NF565A/16	78	TA19199	SPRING
NF565A/16	79	TA19201	C-RING
NF565A/16	80	TA19524	CONTACT ARM A
NF565A/16	81	TA19182	ADJUST DIAL
NF565A/16	82	TA19796	LATCH COVER
NF565A/16	83	TA19576	NAME LABEL
NF565A/16	84	TA19801	O-RING 9801
NF565A/16	85	TA19534	HEX.SOC.BUTTON HD.SCRE
NF565A/16	86	TA19533	PLATE
NF565A/16	101	TA81293	O-RING KIT
NF565A/16	102	TA81290	TRIGGER VALVE KIT