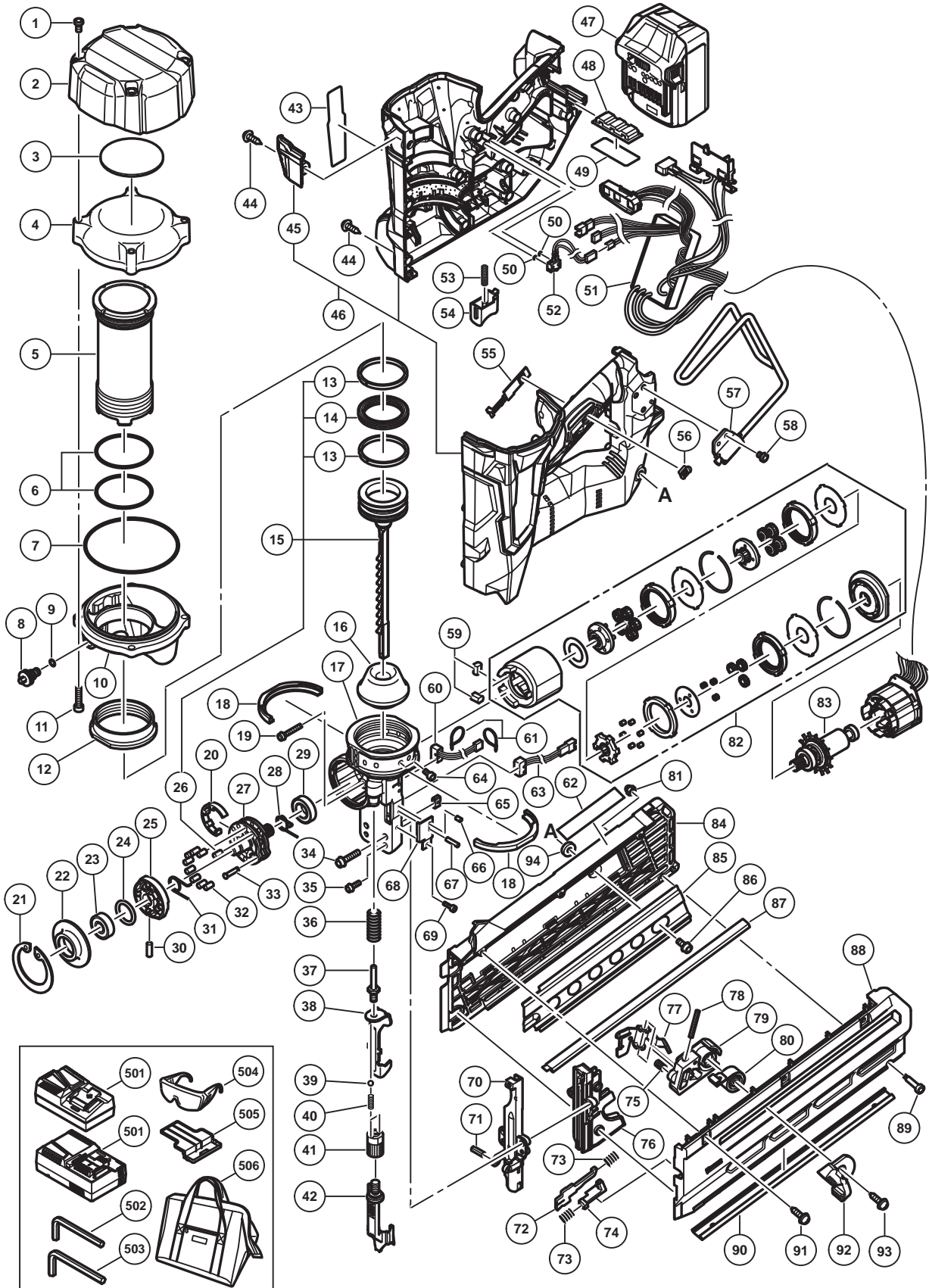


PNEUMATIC TOOL PARTS LIST

CORDLESS STRIP NAILER
Model NR 1890DR

2017-7-12
(E1)



PARTS

NR 1890DR

ITEM NO.	CODE NO.	DESCRIPTION	NO. USED	REMARKS
1	372298	HEX. SOCKET BOLT M6	4	
2	372296	TOP COVER	1	
3	371012	RUBBER CUSHION (C)	1	
4	372337	CHAMBER COVER	1	
5	372335	CYLINDER	1	
6	372336	O-RING (I.D 55.5)	2	
7	372334	O-RING (I.D 94.5)	1	
8	371039	CHARGE CAP	1	
9	872822	O-RING (S-5)	1	
10	372388	CHAMBER BASE	1	
11	372338	NYLOCK BOLT M6	4	
12	372339	SPECIAL NUT M58	1	
13	372320	SLIDE RING	2	
14	372319	X-RING	1	
15	371810	PISTON ASS'Y	1	INCLUD.13,14,26
16	372317	PISTON BUMPER	1	
17	372387	NOSE	1	
18	372343	RUBBER CUSHION (A)	2	
19	372310	NYLOCK BOLT (W/FLANGE) M4 X 25	1	
20	372330	FELT (P)	1	
21	372332	RETAINING RING D52	1	
22	372331	BEARING HOLDER	1	
23	6000VV	BALL BEARING 6000VVCMP2L	1	
24	372329	O-RING (I.D 20.22)	1	
25	372327	POSITION DETECTOR	1	
26	372326	NEEDLE ROLLER D4.5	1	
27	372321	PIN WHEEL	1	
28	372323	WHEEL SPRING (B)	1	
29	6902VV	BALL BEARING 6902VV	1	
30	372328	NEEDLE ROLLER D3	1	
31	372322	WHEEL SPRING (A)	1	
32	372325	NEEDLE ROLLER D4	8	
33	372324	PIN (A)	1	
34	372355	NYLOCK BOLT (W/FLANGE) M5 X 22	2	
35	372311	NYLOCK BOLT (W/FLANGE) M4 X 14	2	
36	372307	PUSHING LEVER SPRING (B)	1	
37	372316	SPECIAL BOLT M6	1	
38	372305	PUSHING LEVER (B)	1	
39	959148	STEEL BALL D3.175 (10 PCS.)	2	
40	372315	ADJUSTER SPRING	2	
41	372314	ADJUSTER	1	
42	372308	PUSHING LEVER (A)	1	
43		NAME PLATE	1	
44	301653	TAPPING SCREW (W/FLANGE) D4 X 20 (BLACK)	14	
45	372297	HOUSING (C)	1	
46	372295	HOUSING SET	1	INCLUD.45
* 47	338890	BATTERY BSL 1860 (USA,CAN)	1	INCLUD.505
* 47	339782	BATTERY BSL 1830C (USA,CAN)	1	INCLUD.505
48	332668	RUBBER CUSHION	1	
49	372803	PLATE (A)	1	

PARTS

NR 1890DR

ITEM NO.	CODE NO.	DESCRIPTION	NO. USED	REMARKS
50	371020	O-RING (I.D 2.5)	2	
51	372291	WIRING	1	
52	371019	SWITCH CABLE (A)	1	
53	332000	SPRING (T)	1	
54	371021	TRIGGER	1	
55	331790	LEVER (C)	1	
56	326276	LEVER (A)	1	
57	372356	HOOK	1	
58	331109	LOW HEAD HEX. SOCKET BOLT M4 X 8	3	
59	372342	BUMPER (B)	2	
60	372302	SENSOR (C)	1	
61	6696839	WIRE BAND	2	
62	371107	CAUTION LABEL	1	
63	372301	SENSOR (B)	1	INLCUD.38
64	372340	HEX. SOCKET HD. BOLT M5	1	
65	372313	GUIDE PLATE HOLDER	1	
66	372304	ROLL PIN D2.5	1	
67	878965	ROLL PIN D2.5 X 16	1	
68	372312	BLADE PLATE (P)	1	
69	331184	NYLOCK HEX. SOCKET HD. BOLT M3	1	
70	371804	BLADE GUIDE (A)	1	
71	949685	ROLL PIN D3 X 20 (10 PCS.)	1	
72	371809	PUSHING LEVER STOPPER (A)	1	
73	372350	SPRING	2	
74	372351	PUSHING LEVER STOPPER (B)	1	
75	883687	SPRING	1	
76	371805	BLADE GUIDE (B)	1	
77	885621	NAIL FEEDER	1	
78	949506	ROLL PIN D4 X 28 (10 PCS.)	1	
79	885324	NAIL FEEDER (B)	1	
80	885325	RIBBON SPRING	1	
81	372353	CAP NUT M3	1	
82	372341	GEAR BOX	1	
83	361071	ROTOR	1	
84	371807	MAGAZINE COVER (B)	1	
85	371808	MAGAZINE PLATE	1	
86	372809	NYLOCK BOLT (W/FLANGE) M5 X 18	1	
87	372811	NAIL RAIL (C)	1	
88	371806	MAGAZINE COVER (A)	1	
89	372352	STEP BOLT M3	1	
90	372348	MAGAZINE GUARD	1	
91	307811	TAPPING SCREW (W/FLANGE) D4 X 16 (BLACK)	3	
92	886246	FEEDER KNOB	1	
93	302089	TAPPING SCREW (W/FLANGE) D5 X 20 (BLACK)	1	
94	372810	WASHER D14.5	1	

