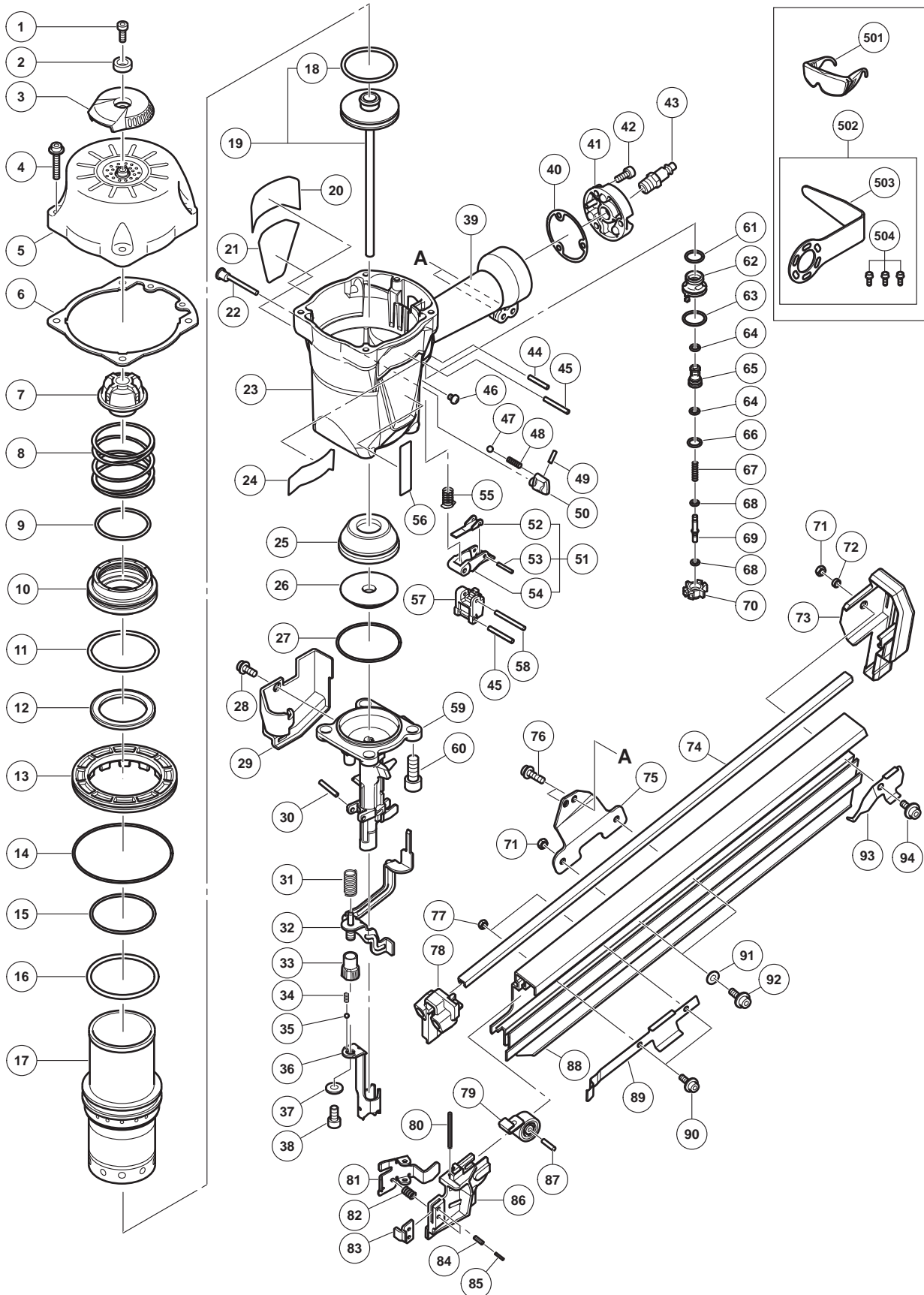


PNEUMATIC TOOL PARTS LIST

STRIP NAILER
Model NR 90AC5

2017-12-28
(E1)



PARTS

NR 90AC5

| ITEM NO. | CODE NO. | DESCRIPTION | NO. USED | REMARKS |
|----------|----------|---|----------|-------------------------------|
| 1 | 888797 | HEX. SOCKET HD. BOLT M6 X 16 | 1 | |
| 2 | 880515 | PLATE | 1 | |
| 3 | 884332 | TOP COVER | 1 | |
| 4 | 889481 | HEX. SOCKET HD. BOLT (W/FLANGE) M6 X 35 | 4 | |
| 5 | 889134 | EXHAUST COVER | 1 | |
| 6 | 889135 | GASKET (A) | 1 | |
| 7 | 881945 | EXHAUST VALVE RUBBER | 1 | |
| 8 | 881944 | HEAD VALVE SPRING | 1 | |
| 9 | 889476 | CYLINDER O-RING (B) | 1 | |
| 10 | 889477 | HEAD VALVE | 1 | |
| 11 | 889478 | CYLINDER O-RING | 1 | |
| 12 | 881943 | HEAD VALVE RUBBER | 1 | |
| 13 | 889132 | CYLINDER PLATE | 1 | |
| 14 | 889133 | O-RING | 1 | |
| 15 | 878376 | O-RING (I.D 59.6/W2.4) | 1 | |
| 16 | 881972 | O-RING | 1 | |
| 17 | 889131 | CYLINDER | 1 | |
| 18 | 889479 | O-RING (P-48) | 1 | |
| 19 | 889480 | PISTON ASS'Y | 1 | INCLUD.18 |
| 20 | 889496 | WARNING LABEL | 1 | |
| 21 | 889497 | LABEL (D) | 1 | |
| 22 | 888798 | CHANGE ROD (D) | 1 | |
| 23 | 889130 | BODY ASS'Y | 1 | INCLUD.39 |
| 24 | 889499 | NAME PLATE FOR USA | 1 | |
| 25 | 883670 | PISTON BUMPER (A) | 1 | |
| 26 | 889148 | PISTON BUMPER (B) | 1 | |
| 27 | 889150 | O-RING | 1 | |
| 28 | 882974 | NYLOCK BOLT (W/FLANGE) M6 X 12 | 1 | |
| 29 | 889154 | PUSHING LEVER COVER | 1 | |
| 30 | 949870 | ROLL PIN D4 X 22 (10 PCS.) | 1 | |
| 31 | 887899 | PUSHING LEVER SPRING | 1 | |
| 32 | 889153 | PUSHING LEVER (B) | 1 | |
| 33 | 326799 | ADJUSTER | 1 | |
| 34 | 886281 | ADJUSTER SPRING | 2 | |
| 35 | 959148 | STEEL BALL D3.175 (10 PCS.) | 2 | |
| 36 | 889152 | PUSHING LEVER (A) | 1 | |
| 37 | 886282 | WASHER | 1 | |
| 38 | 888792 | HEX. SOCKET HD. BOLT M6 X 12 | 1 | |
| 39 | | GRIP RUBBER | 1 | SUPPLIED WITH ITEM NO.601,602 |
| 40 | 884342 | GASKET (B) | 1 | |
| 41 | 889136 | CAP | 1 | |
| 42 | 949821 | HEX. SOCKET HD. BOLT M5 X 16 (10 PCS.) | 3 | |
| 43 | 887863 | AIR PLUG NPT 3/8 | 1 | |
| 44 | 371077 | ROLL PIN D3 X 22 | 1 | |
| 45 | 371080 | ROLL PIN D3 X 32 | 2 | |
| 46 | 949214 | MACHINE SCREW M4 X 6 (10 PCS.) | 1 | |
| 47 | 959155 | STEEL BALL D3.97 (10 PCS.) | 1 | |
| 48 | 887673 | SPRING | 1 | |
| 49 | 887458 | ROLL PIN D3 X 10 (10 PCS.) | 1 | |
| 50 | 887674 | CHANGE KNOB (D) | 1 | |

PARTS

NR 90AC5

| ITEM NO. | CODE NO. | DESCRIPTION | NO. USED | REMARKS |
|----------|----------|---|----------|--------------|
| 51 | 887756 | TRIGGER (D) ASS'Y | 1 | INCLUD.52-54 |
| 52 | 887755 | TRIGGER ARM (D) | 1 | |
| 53 | 881951 | ROLL PIN D2.5 X 16 | 1 | |
| 54 | 887695 | TRIGGER (D) | 1 | |
| 55 | 887682 | TRIGGER ARM SPRING | 1 | |
| 56 | 889498 | BRAND LABEL | 1 | |
| 57 | 889137 | PUSHING LEVER GUIDE (D) | 1 | |
| 58 | 887675 | ROLL PIN D3 X 35 | 1 | |
| 59 | 889149 | NOSE | 1 | |
| 60 | 889151 | HEX. SOCKET HD. BOLT M10 X 25 | 4 | |
| 61 | 877763 | FEED PISTON O-RING (I.D. 14) | 1 | |
| 62 | 884963 | VALVE BUSHING (B) | 1 | |
| 63 | 873570 | O-RING (P-18) | 1 | |
| 64 | 676531 | O-RING (P-7) | 2 | |
| 65 | 884964 | VALVE PISTON | 1 | |
| 66 | 872654 | O-RING (1AP-10) | 1 | |
| 67 | 887178 | PLUNGER SPRING | 1 | |
| 68 | 878888 | O-RING (I.D. 1.8) | 2 | |
| 69 | 887900 | PLUNGER | 1 | |
| 70 | 884962 | VALVE BUSHING (A) | 1 | |
| 71 | 888796 | NYLON NUT M6 | 3 | |
| 72 | 883499 | SLEEVE | 1 | |
| 73 | 889140 | MAGAZINE COVER | 1 | |
| 74 | 889139 | NAIL RAIL | 1 | |
| 75 | 889146 | HANDLE ARM | 1 | |
| 76 | 881969 | NYLOCK BOLT (W/FLANGE) M6 X 20 | 2 | |
| 77 | 877371 | NYLON NUT M5 | 2 | |
| 78 | 889147 | CONNECTOR | 1 | |
| 79 | 883503 | RIBBON SPRING | 1 | |
| 80 | 949688 | ROLL PIN D4 X 40 (10 PCS.) | 1 | |
| 81 | 889142 | NAIL FEEDER (A) | 1 | |
| 82 | 889144 | SPRING | 1 | |
| 83 | 889333 | PUSHING LEVER STOPPER (A) | 1 | |
| 84 | 887458 | ROLL PIN D3 X 10 (10 PCS.) | 2 | |
| 85 | 889334 | ROLL PIN D2 X 10 | 1 | |
| 86 | 889143 | NAIL FEEDER (B) | 1 | |
| 87 | 943364 | NEEDLE ROLLER D4 X 20 | 1 | |
| 88 | 889138 | MAGAZINE | 1 | |
| 89 | 889332 | NAIL PLATE (A) | 1 | |
| 90 | 886347 | HEX. SOCKET HD. BOLT (W/FLANGE) M5 X 10 | 2 | |
| 91 | 877402 | WASHER | 2 | |
| 92 | 888803 | HEX. SOCKET HD. BOLT (W/FLANGE) M6 X 16 | 2 | |
| 93 | 889141 | NAIL STOPPER | 1 | |
| 94 | 984443 | HEX. SOCKET HD. BOLT (W/FLANGE) M6 X 12 | 1 | |
| | | | | |
| | | | | |
| | | | | |
| | | | | |
| | | | | |

