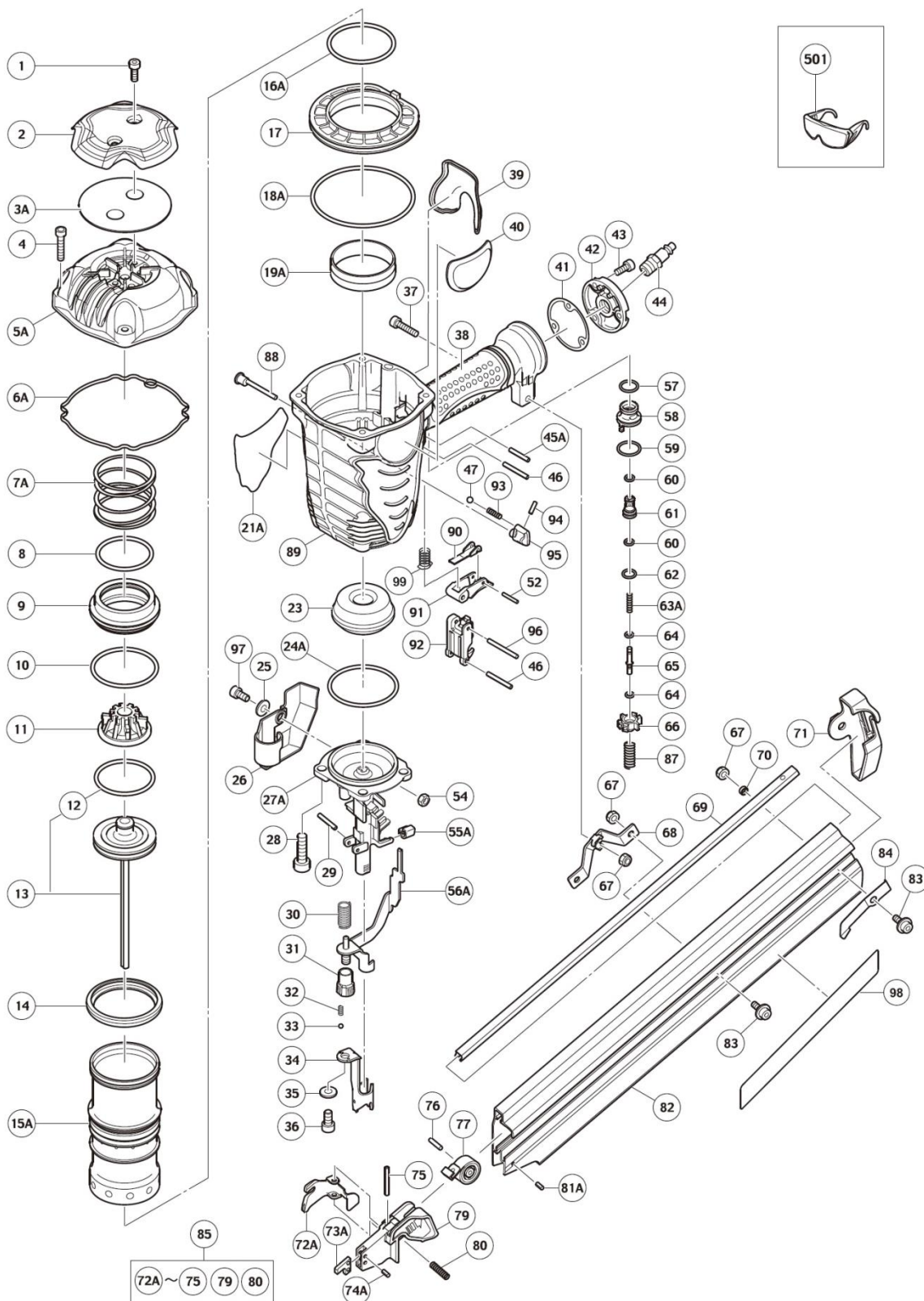


PNEUMATIC TOOL PARTS LIST

■ STRIP NAILER
Model NR 90AF(S1)

2015 • 12 • 29
(E1)



PARTS

NR90AF(S1)

ITEM NO.	CODE NO.	DESCRIPTION	NO. USED	REMARKS
1	888792	HEX. SOCKET HD. BOLT M6X12	2	
2	888790	HEAD GUARD	1	
3A	888794	SHEET	1	
4	888793	HEX. SOCKET HD. BOLT M6X30	1	
5A	888789	EXHAUST COVER	1	
6A	886455	GASKET (A)	1	
7A	886456	HEAD VALVE SPRING	1	
8	884947	O-RING (I.D 49.4)	1	
9	884946	HEAD VALVE	1	
10	884948	O-RING (I.D 59.4)	1	
11	884950	EXHAUST VALVE RUBBER	1	
12	884958	PISTON O-RING	1	
13	886262	PISTON ASS'Y	1	INCLUD.12
14	884945	VALVE RUBBER	1	
15A	886457	CYLINDER	1	
16A	886480	O-RING (I.D 59.6)	1	
17	884944	CYLINDER PLATE	1	
18A	886481	O-RING (I.D 94.6)	1	
19A	886483	CYLINDER RING	1	
21	888750	NAME PLATE	1	
23	884959	PISTON BUMPER	1	
24A	886482	O-RING (I.D 60)	1	
25	876205	WASHER	1	
26	886269	PUSHING LEVER COVER	1	
27	886264	NOSE	1	
28	306437	NYLOCK HEX. SOCKET HD. BOLT M8X30	4	
29	949518	ROLL PIN D3X18 (10 PCS.)	1	
30	886263	PUSHING LEVER SPRING	1	
31	326799	ADJUSTER	1	
32	886281	ADJUSTER SPRING	2	
33	959148	STEEL BALL D3.175 (10 PCS.)	2	
34	886267	PUSHING LEVER (A)	1	
35	886282	WASHER	1	
36	949657	HEX. SOCKET HD. BOLT M6X12 (10 PCS.)	1	
37	949670	HEX. SOCKET HD. BOLT M6X22 (10 PCS.)	1	
38		GRIP RUBBER (A)	1	SUPPLIED WITH ITEM NO.89
39	886260	GRIP RUBBER (B)	1	
40A	886356	HITACHI LABEL	1	
41	884342	GASKET (B)	1	
42	881949	CAP	1	
43	949821	HEX. SOCKET HD. BOLT M5X16 (10 PCS.)	3	
44		AIR PLUG NPT 3/8	1	
45A	887621	ROLL PIN D3X25	1	
46	884975	ROLL PIN D3X32	2	
47	959155	STEEL BALL D3.97 (10 PCS.)	1	
52	881951	ROLL PIN D2.5X16	1	
54	877371	NYLON NUT M5	1	
55A	886458	NOSE RUBBER	2	
56A	887690	PUSHING LEVER (B)	1	
57	877763	FEED PISTON O-RING (I.D. 14)	1	
58	884963	VALVE BUSHING (B)	1	
59	873570	O-RING (P-18)	1	
60	676531	O-RING (P-7)	2	
61	884964	VALVE PISTON	1	
62	872654	O-RING (1AP-10)	1	
63A	887178	PLUNGER SPRING	1	
64	878888	O-RING (I.D. 1.8)	2	
65	884965	PLUNGER	1	
66	884962	VALVE BUSHING (A)	1	
67	963837	NYLON NUT M6	4	

