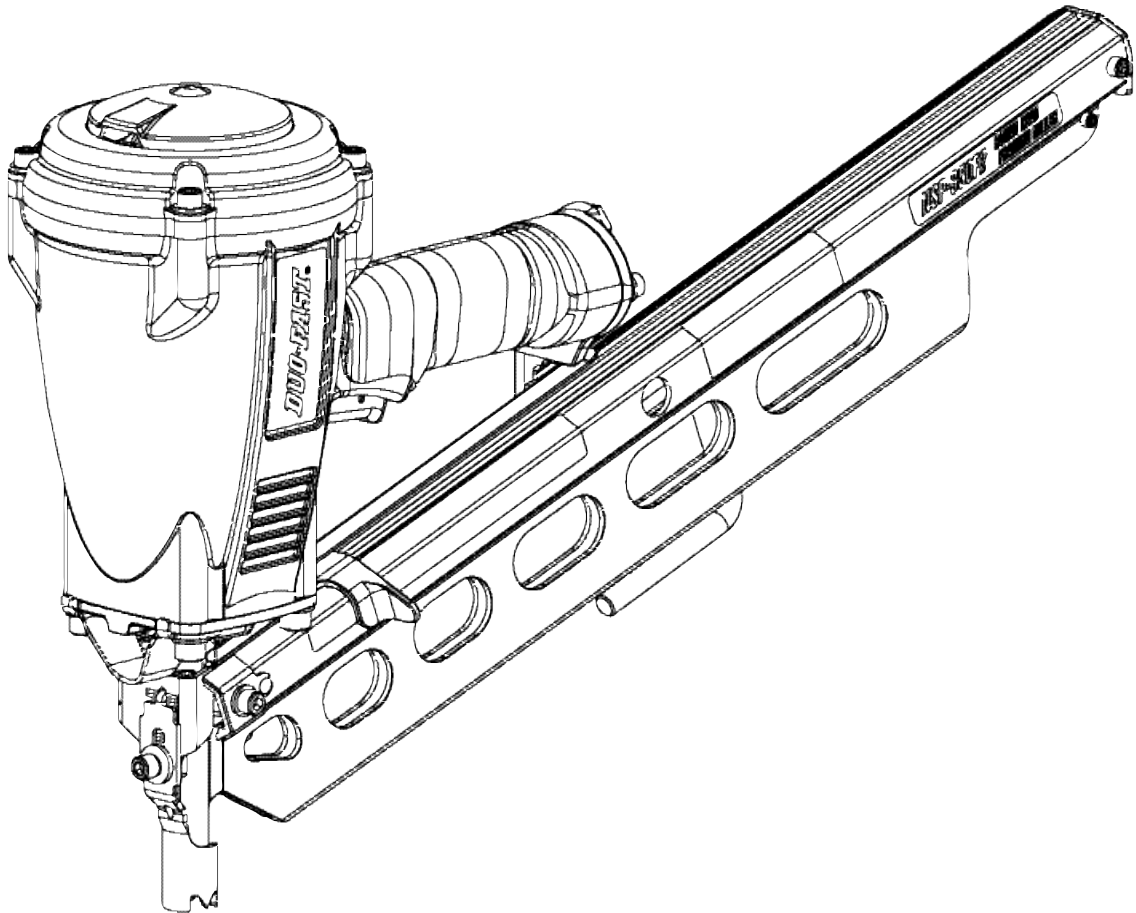




MODEL NSP-350F2  
20° Round Head Nailer



TOOL SCHEMATIC  
AND PARTS

**IMPORTANT!**  
**DO NOT DESTROY**

Always refer to safety and maintenance manual #1013746 for detailed information on this tool. It is the customer's responsibility to have all operators and service personnel read and understand this information.

# PARTS LEGEND

NSP-350F2 - 20°, 502101

1	501300	4	S.H.C.S. 1/4-20 x 1-1/4"	37	092174	1	O-Ring
2	502082	1	Blade Seal	38	501976	1	Sequential Trigger
▲ 3	502091	1	T.H.S.C.S. 1/4 -20 x 3/4"	39	501008	1	Lever, Bottom Trip
4	501752	1	Air Deflector	40	402669	1	Pin, Trigger
5	501986	1	Top Cap	41	501010	1	Trigger
*6	501862	1	Cap Seal	42	501009	1	Spirol Pin
7	500754	1	Spacer, Exhaust	43	402668	1	Retaining Washer
8	500744	1	Stop, Piston	44	501608	1	Grooved Pin
9	500743	1	Spring, Valve	45	502079	1	Nose 20°
10	500742	1	Seat, Spring	46	502083	1	Follower
*11	091986	1	O-Ring	▲47	501997	4	S.H.C.S. 5/16-18 x 1"
12	501837	1	Piston, Valve	48	501058	1	Upper W.C.E.
*13	502089	3	O-Ring	49	501071	1	Spring, W.C.E.
*14	501861	1	O-Ring	50	500728	1	Lower W.C.E.
*15	502104	1	O-Ring, Piston	51	404800	1	Washer
16	501979	1	Piston	52	502097	1	Lock Washer
■ *17	501980	1	Driver Blade	53	091618	1	S.H.C.S. 1/4-20 x 1/2"
18	501540	1	Sleeve	▲54	501567	2	Screw 1/4-28 x 3/4"
*19	500249	1	O-Ring	55	502085	1	Nail Cover
20	500779	1	Flange, Sleeve	56	501479	1	Spring
*21	501002	1	O-Ring	57	092037	1	Locknut, 10-32
*22	500866	1	Bumper	58	502113	1	Lock Nut, 6-32
23	502124	1	Housing (with roll pin)	59	502098	2	Wear Strip
24	501023	1	Grip, Handle	60	501994	1	Rafter Hook Assembly
25	501299	2	S.H.C.S. 1/4-20 x 1"	61	500513	1	Negator Assembly
26	091622	1	Reducing Pipe Bushing	62	500517	1	S.H.C.S. 10-32 x 2"
27	502075	1	End Cap, Housing	63	500518	1	S.H.C.S. 6-32 x 5/8"
*28	092042	1	O-Ring	64	500511	1	End Cap, Magazine
29	502084	1	W.C.E. Guide	65	500199	1	Spring
30	500525	1	Locknut, 5/16-24	66	500515	1	Latch
31	500516	1	B.H.C.S. 5/16 x 24 x 7/8"	67	404908	1	Bushing, Latch
32	502078	2	Label, Housing	68	502095	1	Model Label
33	071297	3	Roll Pin	69	501046	1	Drum Pin Assembly
34	501520	1	Spring, Valve Pin	**70	502092	1	Nameplate/Warning Label
35	097746	1	Valve Pin	71	500509	1	Front Bracket
36	401958	1	Valve Body	72	XH10831	1	Label, Sequential Cycle

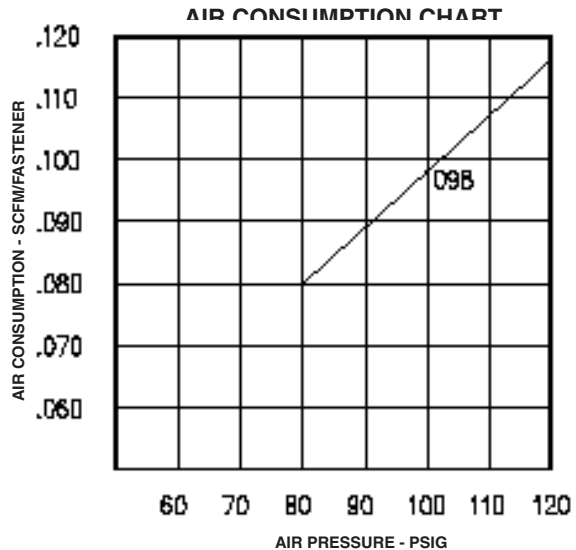
\* Denotes Normal Wear Items

\*\* Make sure Warning Label (Part No. 502092) is properly affixed. Replace if necessary. Label available at no charge through the Service Department.

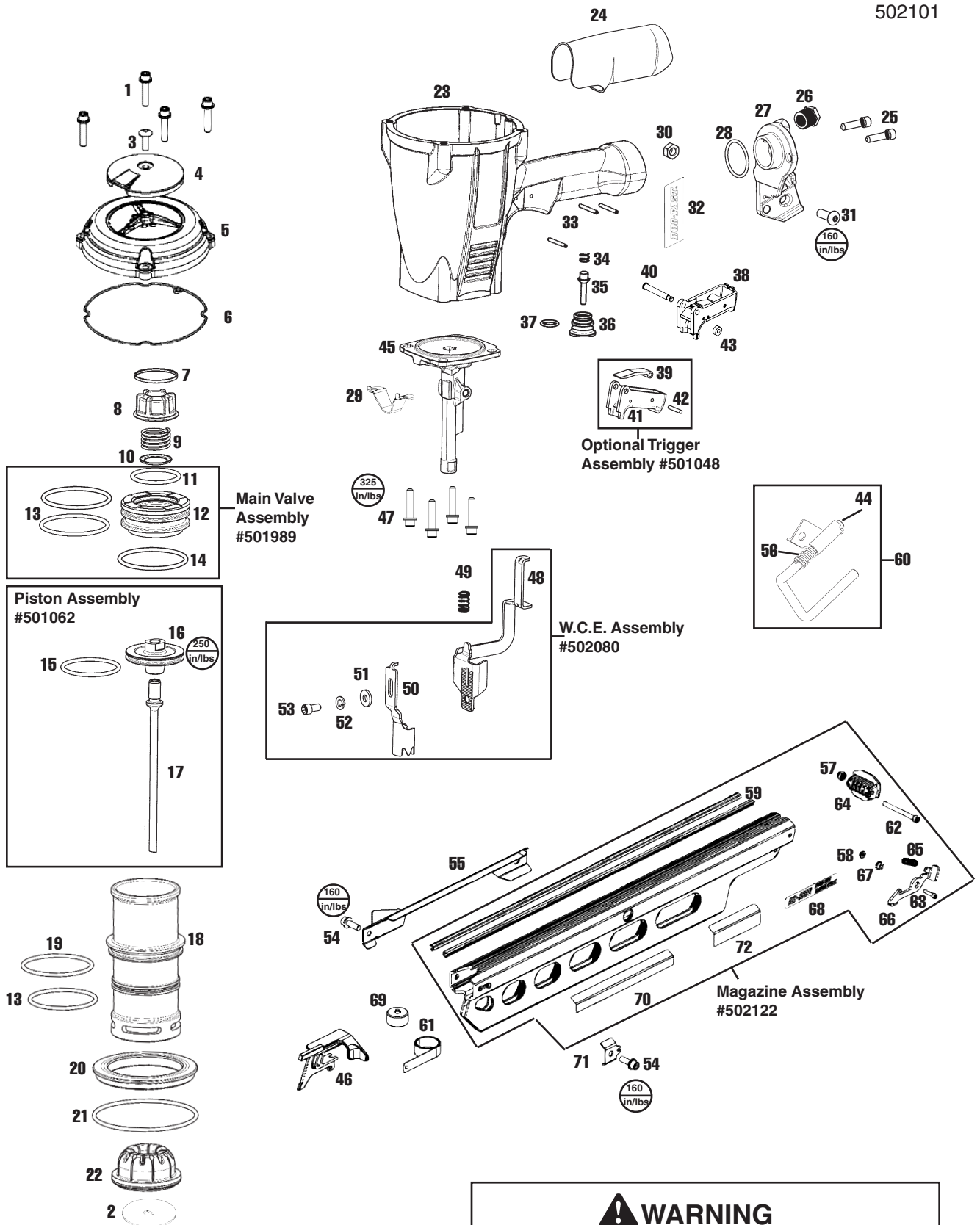
▲ Apply Loctite 242 (Blue) Part No. 093500

■ Apply Loctite 680 (Green) Part No. 401491

→ Denotes new changes



**Note: For optimum performance Duo-Fast recommends the use of a 3/8" Male inlet fitting.**



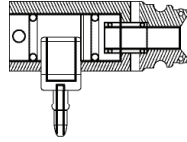
**⚠ WARNING**

All parts must be periodically inspected and replaced if worn or broken. Failure to do this can affect the tool's operation and present a safety hazard.

# ACCESSORIES

## Remote Fire Valve

This valve via a positive air signal allows a machine mounted tool to be operated from an automatic air valve or foot pedal system.



Part No. 1X0713

## Toothless Work Contacting Element

This W.C.E. has a smooth tip for decking, siding and sheathing applications.

Part No. 500810

## No-Mar Work Contacting Element

Rubber tip prevents you from marring wood surfaces

Part No. 501077

## No-Mar Tip

Replacement tip for No-Mar Work Contacting Element #501077.

Part No. 501022

## Lubricants and Loctite

Loctite 242 (Blue)  
Lubricating Oil 16 oz.  
Lubricating Oil with Antifreeze  
Chemplex 710 Lubricant 1 lb.  
Lubricant 5 gram tube



Part No. 093500  
Part No. 403720  
Part No. 219090  
Part No. 403734  
Part No. 219188

## Degreaser Cleaner

Ideal cleaner for all Duo-Fast tools.



Part No. 902330

## Large Nylon Tool Case

Part No. 219246

## Safety Glasses

Clear

Part No. 402510

## SAFETY INSTRUCTIONS

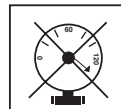
### WEAR EYE AND HEARING PROTECTION



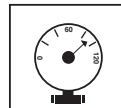
Always wear hearing protection and eye protection devices, including side shields when operating or working in the vicinity of a tool.



### DO NOT EXCEED MAXIMUM RECOMMENDED AIR PRESSURE



Operate the tool using only the recommended air pressure. Do not exceed the maximum air pressure marked on the tool. Be sure the air pressure gauge is operating properly and check it at least twice a day.



Never use any bottled air or gases such as oxygen to operate the tool since they could cause the tool to explode.

